

BLAZE KING

PRODUCTS

9603R GAS APPLIANCE

Owner's Installation and Operations Manual

INSTALLER: PLEASE LEAVE THIS MANUAL WITH THE CUSTOMER

CUSTOMER: PLEASE KEEP MANUAL FOR FUTURE REFERENCE



This appliance may be installed in an after-market, permanently located, manufactured home (USA only) or mobile home, where not prohibited by local codes.

This appliance is only for use with the type of gas indicated on the rating plate. This appliance is not convertible for use with other gases, unless a certified kit is used.



WARNING: If the information in these instructions are not followed exactly, a fire or explosion may result causing property damage, personal injury may result.

- Do not store or use gasoline or other flammable vapors and liquids in the vicinity of this or any other appliance.

-WHAT TO DO IF YOU SMELL GAS

- Do not try to light any appliance.
- Do not touch any electrical switch; do not use any phone in your building.
- Immediately call your gas supplier from a neighbor's phone. Follow the gas supplier's instructions.
- If you cannot reach your gas supplier, call the fire department.

Blaze King Industries
146 A St
Walla Walla WA
99362
Ph# 1-509-522-2730
FX# 1-509-522-9803
sales@blazeking.com

MANUFACTURED BY



Valley Comfort Systems Inc.
1290 Commercial Way
Penticton, BC
V2A 3H5
Ph# 1-250-493-7444
FX# 1-250-493-5833
sales@blazeking.com

Pour la version française de nos manuels S.V.P. vous référez à notre site web : www.blazeking.com

Dear Customer:

Thank you for purchasing this Blaze King gas appliance. It is our goal to have every purchaser of a Blaze King stove be a satisfied customer. This owner's manual explains the steps required to safely assemble, install, operate, and maintain your new appliance.

Be a responsible appliance owner. Carefully read these requirements for safe installation and proper operation BEFORE installing and using your appliance. Check local building and Fire Codes before installing your appliance. If local laws require them, obtain permits from the Building Inspector or Fire Department. When you have completed the installation, have it checked by your local inspector. Disregarding inspection and code requirements may jeopardize your safety and/or homeowner's insurance. Since some insurance carriers require notification of an appliance installation we recommend you contact your insurance agent . We want your Blaze King to give you a lifetime of trouble-free operation.

We have made every effort to make these installation and operating instructions as complete as possible. If you have any questions that have not been answered here, contact your BLAZE KING dealer, Local Building Inspector, or Fire Department.

The management and Employees of BLAZE KING

Mail your warranty card TODAY, and SAVE your BILL OF SALE.

In order to receive full warranty coverage and to expedite service, BKI recommends that you save your bill of sale and attach it to this page.

By doing this you will have all the necessary information in the event that your stove may need service.

Your Blaze King Stove has its own personal serial number, no two stoves are alike. The serial number is located on the stove label attached to a plate hanging on a hook on the left side of the fire box.

KEEP THIS MANUAL FOR FUTURE REFERENCE

TABLE OF CONTENTS

SPECIFICATIONS MODEL 9603	4
SAFETY NOTICE.....	5
COLD WEATHER OPERATION.....	5
BLAZE KING'S LIMITED LIFETIME WARRANTY	6
WHITE MINERAL DEPOSITS	7
COPY OF LABEL.....	8
CAUTION	9
PREPARATION & ASSEMBLY.....	9
ELECTRICAL GROUNDING INSTRUCTIONS	10
MOBILE HOME INSTALLATION	10
PLANNING YOUR STOVE PLACEMENT	10
CLEANING YOUR 9603	10
STOVE PLACEMENT DIAGRAM.....	11
SPRING TENSION LANYARD/ IGNITION INTERLOCK SAFETY SYSTEM.....	12
INSERT KIT CONTENTS.....	13
INSERT ASSEMBLY INSTRUCTIONS.....	13
FREESTANDING KIT - REAR AND TOP VENT	16
VENTING REQUIREMENTS.....	16
VENT PARTS DESCRIPTION	18
APPROVED VENTING CONFIGURATIONS	20
SELKIRK DIRECT-TEMP™ INSTRUCTIONS	25
OAK LOG ASSEMBLY and EMBER PLACEMENT.....	26
AIR SHUTTER ADJUSTMENT	26
GAS CONNECTION	27
CLEARANCE FROM COMBUSTIBLES.....	27
BURNER CONVERSION INSTRUCTION	29
PILOT CONVERSION	31
ORIFICE SIZING TABLE	32
LIGHTING PREPARATION	32
LIGHTING INSTRUCTIONS	33
STARTING THE STOVE FOR THE FIRST TIME \ CLEANING YOUR UNIT	34
WIRING DIAGRAM	35
REPLACEMENT PARTS LIST	36
NOTES	37

SPECIFICATIONS*

MODEL 9603				
GAS APPLIANCE RATING	NATURAL GAS		LP GAS	
	TOP OUTLET	REAR OUTLET	TOP OUTLET	REAR OUTLET
INPUT RATING (BTU/HR) 0-610 m (0-2000 FT.) ALT.	38,000	36,000	38,000	36,000
ORIFICE (DMS) 0-610 m (0-2000 FT.) ALT	1/8	31	50	51
INPUT RATING (BTU/HR) 610-1370 m (2000-4500 FT.) ALT. (US) *	38,000	34,500	38,000	34,500
ORIFICE (DMS) 610-1370 m (2000-4500 FT.) ALT. (US) *	1/8	32	50	52
INPUT RATING (BTU/HR) 610-1370 m (2000-4500 FT.) ALT. (CAN)†	36,100	34,500	36,000	34,700
ORIFICE (DMS) 610-1370 m (2000-4500 FT.) ALT. (CAN)†	31	32	51	52
MANIFOLD PRESSURE (IN. W.C. / KPA)	3.5 / 0.87	3.5 / 0.87	11.0 / 2.74	11.0 / 2.74
MANIFOLD PRESSURE LO SETTING (IN. W.C. / KPA)	1.3 / 0.32	1.3 / 0.32	2.7 / 0.67	2.7 / 0.67
MINIMUM INLET PRESSURE (IN. W.C. / KPA)	4.5 / 1.12	4.5 / 1.12	12.2 / 3.04	12.2 / 3.04
MAXIMUM INLET PRESSURE (IN. W.C. / KPA)	10.5 / 2.62	10.5 / 2.62	13.0 / 3.24	13.0 / 3.24
MINIMUM INPUT (BTU/HR)	22,500	21,200	19,700	17,800

* SPECIFICATIONS USING U.S.A. HIGH ALTITUDE METHOD.

† SPECIFICATIONS USING CANADIAN HIGH ALTITUDE METHOD.

This appliance may be installed in an aftermarket permanently located, manufactured (Mobile) home, where not prohibited by local codes. This appliance is only for use with the type(s) of gas indicated on the rating plate. This appliance is not convertible for use with other gases, unless a certified kit is used.

Cet appareil peut être installé dans un maison préfabriquée (Mobile) déjà installée à demeure si les règlements locaux le permettent. Cet appareil doit être utilisé uniquement avec les types de gas indiqués sur la plaque signalétique. Ne pas l'utiliser avec d'autres gas sauf si un kit de conversion certifié est installé.

SHIPPING WIEGHTS AND DIMENSIONS	FREESTANDING	FIREBOX ONLY	SHROUD
WIDTH	27 3/8"	27"	48"
HEIGHT	34"	22 1/2"	30"
DEPTH	24 5/8"	22 1/2"	2 1/4"
WEIGHT	200 lbs	130 lbs	54 lbs

Gas appliances must be tested and certified by a nationally recognized testing and certification agency to ANSI Gas Appliance Safety Standard.

This vented gas fireplace heater has been tested and certified by Intertek Testing Services., Middleton, WI 53562 to ANSI Standard Z21.88b-2003 / CSA 2.33b-2003 Vented Gas Fireplace Heater. Approved for mobile (manufactured) home installations after first sale of home " CAN/CGA-2.17-M91 "Gas-Fired appliance for use at High Altitudes."

SAFETY NOTICE

IF THIS APPLIANCE IS NOT PROPERLY INSTALLED A HOUSE FIRE MAY RESULT. FOR YOUR SAFETY, FOLLOW THE INSTALLATION DIRECTIONS. CONTACT LOCAL BUILDING OR FIRE OFFICIALS ABOUT RESTRICTIONS AND INSTALLATION REQUIREMENTS IN YOUR AREA. PLEASE READ THIS ENTIRE MANUAL BEFORE YOU INSTALL AND USE YOUR NEW APPLIANCE. FAILURE TO FOLLOW INSTRUCTIONS MAY RESULT IN PROPERTY DAMAGE, BODILY INJURY or DEATH.

CAUTIONS:

NEVER vent the appliance to other rooms or buildings. The appliance must be vented to the outside ONLY.
NEVER burn the appliance with the viewing door open.

FIRE EXTINGUISHER:

Every home should have at least one fire extinguisher. An approved "Class A-B-C" extinguisher should be mounted on the wall near an exit and close to the appliance, but not so close that accessibility to the extinguisher could be blocked by a fire. Your local fire department can advise you concerning the most appropriate location.

BUILDING AND FIRE CODES, PERMITS AND INSPECTIONS:

The installation of this gas appliance must comply with your local building and fire codes. Always contact your local Building Inspector and/or Fire Department before beginning the installation process. If required, obtain a permit before installation and have the completed installation inspected. Remember that not complying with building and/or fire codes may jeopardize your homeowner's insurance.

CHILDREN:

Do Not Allow Children to play near the appliance or with the controls. Severe burns may be inflicted by touching the door or glass, the front, sides or top of the appliance. Train children to stay away from the appliance, and never leave the children unattended in the room when the appliance is in operation.

SMOKE and CO-DETECTORS:

Install at least one smoke detector on each floor of your home to ensure your safety. It should be located away from the gas appliance and close to the sleeping areas. Follow the smoke detector manufacturers' placement, installation and maintenance instructions. Your local Fire Department may provide assistance in selecting smoke detectors and CO-detectors. It is strongly recommended, for your families protection, that a CO-detector be placed in all homes that utilize gas in any form. In the U.S.A. contact the Consumer Product Safety Commission in Washington, D.C. 20207 for additional information.

THE APPLIANCE AREA MUST BE KEPT CLEAR FROM COMBUSTIBLE MATERIALS GASOLINE AND OTHER FLAMMABLE VAPORS AND LIQUIDS.

NOTICE - COLD WEATHER OPERATION

WARNING - OPERATION OF YOUR PEGASUS GAS STOVE WITH ICE OBSTRUCTIONS IN THE VENT SYSTEM IS DANGEROUS. DO NOT OPERATE THE GAS APPLIANCE UNLESS YOU ARE SURE THE VENT SYSTEM IS CLEAR.

When using any gas appliance (LPG or NAT GAS) water is a byproduct of the combustion process. The amount of water varies slightly depending on several factors. Generally an appliance which is rated at 40,000 BTU per hour will produce approximately 2 liters of water vapor every hour. That's a considerable amount of water which has to be dealt with. Under normal conditions this water is expelled into the atmosphere as a warm vapor, via the vent system, and does not cause a problem. However, in very cold weather this vapor will condense and freeze on any exposed surface it comes in contact with. This can cause serious problems, particularly in "Direct Vent" appliances because the exhaust is typically only a few inches from the outside wall. In cold weather moisture vapors, which are exhausted, can cause a serious buildup of frost and ice on surrounding surfaces. This can interfere with the venting. Extending the venting to exhaust the gases further out from the wall is sometimes, but not always, an advantage. Extending the vent system too much can present other design problems including the possibility of ice falling from eaves above. The amount of moisture being expelled cannot be controlled by the manufacturer; It is far more dependent upon wind conditions etc. It is therefore the homeowner's responsibility to ensure that there is no excessive ice buildup during operation. Problems are most severe when there is no wind or when the prevailing wind drives the exhaust gases back against the surfaces nearby. Cap design cannot control the movement of the vapors after they exit the system. Under extremely cold conditions the vent cap itself can become so cold that the vapors condense and cause ice or frost buildup on the vent cap. Severe icing of the cap system can affect the operation and safety of the appliance.

CAUTIONS- When operating your Pegasus gas stove during cold weather you must check the exhaust cap frequently to ensure it is clear of ice buildup. Blaze King is not responsible for any damages caused by external ice buildup.

If the combustion, flame pattern, startup or shut down characteristics of your stove change, it could be a sign of ice buildup in the vent system. If this occurs notify your Blaze King Dealer. DO NOT operate your stove if there is excessive ice buildup on the vent cap. Ensure that any ice or frost buildup on surfaces around the exhaust are not causing problems or damage.

BLAZE KING WARRANTY

Gas stoves manufactured by Blaze King Industries and/or Valley Comfort Systems Inc. are covered by a limited lifetime warranty against manufacturers defects in material and workmanship. Details of this comprehensive warranty program are outlined below. In addition to the terms outlined for the limited lifetime warranty, our products carry a 5 year warranty which covers mechanical and electrical components including labor costs outlined below. The combination of these warranty policies provide a very strong coverage package that we are proud to offer you, our customers. Our Blaze King tradition of building high quality products for over 25 years is really your most important assurance of quality but it's nice to know that should something fail (and it occasionally does) you are covered by a warranty policy that leads the industry. To ensure the coverage is in place you must have your unit properly installed by an authorized Blaze King dealer and you must register your ownership. **Blaze King's warranty policy applies only to units sold, installed and/or for use in the USA or Canada. No person is authorized to modify this warranty or make any additional warranties on behalf of the manufacturer, Blaze King.**

Components and parts 5 year warranty:

Blaze King warrants the following parts; blower motors, door gasket, blower speed control, logs, pilot assembly, gas valve, gas lines, thermocouple and/or thermopile against defects in material or workmanship to the original purchaser, for five years following the date of purchase.

Labor costs during the 5 year warranty period:

Blaze King manufacturers warranty covers labor costs to the original purchaser based on our schedule of approved charges, provided to our authorized dealers. Blaze King will only be responsible for labor costs provided by our authorized dealers and based upon the schedule.

Limited Lifetime Coverage

This warranty contains different terms that cover specific parts of the gas appliance. Blaze King warrants the following parts of the gas appliance against defects in material or workmanship to the original retail purchaser. For the first five years of ownership, the combustion chamber, heat exchanger and burners will be replaced by Blaze King, conditional upon production availability. From year 6 through to the end of ownership by the original purchaser, Blaze King will provide replacement or repair of the aforementioned parts, conditional upon current production availability, at 50% of current retail price but does not cover any charges relating to labor. This portion of the warranty coverage is not transferable and applies only to the original purchaser.

How to Get Service

If this product requires repair or replacement due to defects in material or craftsmanship during the first five years of ownership, contact your Blaze King dealer and explain the nature of the problem. If the dealer is unable to repair or replace the product to your satisfaction then contact Blaze King at 509-522-2730 in the USA or 250-493-7444 in Canada. If a replacement part is sent directly to you, please contact Blaze King to obtain a **Return Authorization Number (RA#)** for all defective parts. Blaze King will refuse delivery of any returned packages not clearly showing an (RA#). All expenses relating to the shipping of defective parts or entire stoves will be at purchaser's expense.

Blaze Kings Responsibilities:

If the purchaser has complied with all the terms and conditions of this warranty and if the purchaser has notified Blaze King of the defect prior to the expiration of any warranted items, the following procedure will occur. Blaze King will inspect the product to determine that there is indeed a defect and that the defect is covered by warranty. Blaze King will either repair or replace the product at its' discretion. Under no condition whatsoever does Blaze King provide or imply warranty coverage for venting components used in the installation of our products. This warranty details the obligations and liabilities of Blaze King and no other warranties are expressed or implied. Blaze King reserves the right to investigate and settle all claims against warranted parts at their discretion. In no event shall Blaze King be held responsible for indirect or consequential damages of any nature which are in excess of the original purchase price of the product. Blaze King may at its' discretion discharge any or all obligations by refunding the wholesale price of any defective part or parts.

Misuse of Stove Nullifies Warranty:

The above warranty is conditioned upon the proper installation and use of the product according to the manufacturers instructions as specified in the "**Owners Installation & Operations Instructions**" and in compliance with applicable local building and fire codes. Blaze King recommends the local building inspector or fire department inspect the unit prior to initial use. Consult the "Owners Installation & Operations Instructions" supplied with each unit prior to installation or operation. Alteration, abuse, lack of maintenance, faulty repairs or misuse will void the warranty. Abuse includes but is not limited to the use of fuels other than as specified in the "Owners Installation & Operations Instructions."

BLAZE KING WARRANTY

Legal Rights of Purchaser:

This warranty gives you specific legal rights and you may have other rights that vary from state to state (or province to province).

Blaze King Assurance Plan:

Included with each gas stove manufactured by Blaze King is a Warranty Card, which must be completed in its entirety and returned to Blaze King within ten days from the date of purchase. Blaze King will be unable to properly administer the warranty if the card is not completed and registered on file.

The Protection Plan will pay to repair and or replace parts which fail under normal usage at labor rates established by this Agreement. Extra charges such as mileage, overtime or shipping are not covered. Nuisance calls are not covered by the Plan. This Plan is for residential stoves and does not apply to commercial applications. Only repairs attributed to normal failure of the electronic and mechanical functions of the stove are covered. Failure due but not limited to, abuse, negligence, impact, fire, lightning, power failures and or surges, rust and corrosion are not covered. Damage and or repairs to cabinets and all exterior components, remote controls, and normal maintenance, related duct work, power surges, electrical spikes or electrical circuit overloads, filters, knobs, glass, gaskets, block and tile etc., are not covered. Additional or unusual utility bills incurred due to any malfunction or defect in equipment listed on the Plan, labor cost of gaining access to or removal of a unit that requires special equipment or tools such as cranes, ladder trucks, etc., are not covered. These include but are not limited to, cleaning, adjustments of the customer controls and customer product education. Labor, materials, expenses or equipment required to comply with the law and or regulations set forth by any governmental agencies are not covered by this Plan.

WHITE MINERAL DEPOSITS

One of the byproducts of the combustion process in a gas appliance is a mineral which can show up as a white film on the ceramic glass of the viewing door. The composition of the deposit varies widely from location to location and also from time to time in the same locations. You may have the problem for a time and then not see it for many months when it will reappear in your area. It seems this is associated with the varying sulfur content of the gas. We have discussed this problem with ceramic glass manufacturers and they cannot give us a definitive answer to this problem. We have input from several dealers who have tried different cleaning products with varying results. We can only make the following recommendations but we cannot guarantee results in very case.

WARNING!!

Never clean the ceramic glass or any other part of the appliance while it is still hot. Please shut off your appliance and wait for it to cool down prior to cleaning.

- 1) Clean the glass regularly as soon as you notice the buildup (white film). If the film is left for a long period of time it will build up and bake on making it hard or almost impossible to remove**
- 2) NEVER use an abrasive cleaner on the ceramic glass. Any abrasion of the surface will immediately affect the strength of the glass. An emulsion type cleaner is best.**
- 3) Use a soft, damp, preferably cotton, cloth to apply the cleaner and a soft, dry cloth to dry the glass. Most paper towels and synthetic materials are abrasive to ceramic glass and should be avoided.**

WHITE OFF by Rutland has been tested and shown to be effective in removing ugly mineral deposits from ceramic glass.

NOTE: This is a problem beyond BLAZE KING'S control and is not covered under warranty.

DOOR SEAL GASKET

The front door of your new Blaze King direct vent is gasketed and has been adjusted for a tight seal. As with all direct vent appliances, a tight seal is necessary for maximum performance and proper venting of combustion products. With usage the door gasket material may compress. The door may require periodic adjustment to maintain a proper seal. The time to make this adjustment will vary depending upon individual hours of use, btu settings, and frequency of opening and closing the door. Check the door on your appliance periodically, especially during the first 90 days of operation, to ensure it is sealing properly. Your Blaze King dealer/installer should be contacted to properly adjust the door if required.

COPY OF APPROVAL LABEL



BLAZE KING PEGASUS 9603

Vented Gas Fireplace Heater
Also for installation in a Mobile Home

Certified for U.S. and Canada
Homologue Pour Le Canada

WH-

USE ONLY

This stove is factory equipped for:
Natural Gas • Propane •

SIMPSON DURAVENT TYPE GS PIPE
USE DURAVENT TYPE GS TERMINATION CAPS
(Must obtain the modified cap from Blaze King)

Tested to ANSI Z21.88b-2007•CSA 2.33b2007"Vented Gas Fireplace Heater".
Canadian Standards (CAN/CGA-2.17-M91 Gas-Fired Appliances for use at High Altitude)
Acceptable for mobile (manufactured) home installations after first sale of home
This Direct Vent gas fireplace is not for use with air fillters
Direct Vent Gas Fireplace Heater - Not For Use With Soid Fuel

MODEL 9603

GAS APPLIANCE RATING	NATURAL GAS		LP GAS	
	TOP OUTLET	REAR OUTLET	TOP OUTLET	REAR OUTLET
INPUT RATING (BTU/HR) 0-610 m (0-2000 FT.) ALT.	38,000	36,000	38,000	36,000
ORIFICE (DMS) 0-610 m (0-2000 FT.) ALT	1/8	31	50	51
INPUT RATING (BTU/HR) 610-1370 m (2000-4500 FT.) ALT. (US) *	38,000	34,500	38,000	34,500
ORIFICE (DMS) 610-1370 m (2000-4500 FT.) ALT. (US) *	1/8	32	50	52
INPUT RATING (BTU/HR) 610-1370 m (2000-4500 FT.) ALT. (CAN)†	36,100	34,500	36,000	34,700
ORIFICE (DMS) 610-1370 m (2000-4500 FT.) ALT. (CAN)†	31	32	51	52
MANIFOLD PRESSURE (IN. W.C. / KPA)	3.5 / 0.87	3.5 / 0.87	11.0 / 2.74	11.0 / 2.74
MANIFOLD PRESSURE LO SETTING (IN. W.C. / KPA)	1.3 / 0.32	1.3 / 0.32	2.7 / 0.67	2.7 / 0.67
MINIMUM INLET PRESSURE (IN. W.C. / KPA)	4.5 / 1.12	4.5 / 1.12	12.2 / 3.04	12.2 / 3.04
MINIMUM INPUT (BTU/HR)	22,500	21,200	19,700	17,800
MINIMUM OUTPUT (BTU/HR)	17,400	16,350	15,300	13,800

* SPECIFICATIONS USING U.S.A. HIGH ALTITUDE METHOD.
† SPECIFICATIONS USING CANADIAN HIGH ALTITUDE METHOD.

"This appliance is only for use with the type of gas indicated on the rating plate and may be installed in an aftermarket, permanently located, manufactured home (USA only) or mobile home, where not prohibited by local codes. See owner's manual for details. Contact the manufacturer if a conversion kit is required."

UNIT IS FACTORY EQUIPPED FOR 0-610m (0-2000ft)

This appliance must be install in accordance with the manufacture's instructions and the manufactured home construction and safety standards, Title 24 CFR, Part 3280. This appliance must be installed in accordance with local codes if any; if not follow the current ANSI Z223.1 or CAN/CGA-B149

MINIMUM CLEARANCES FROM COMBUSTIBLE CONSTRUCTION

Unit to Sidewall	11 in. (280mm)	Alcove Minimum Width	47" (1190mm)
Unit to Backwall	4 in. (100mm)	Alcove Minimum Height	54" (1370mm)
Unit to Adjacent Wall Corner	2 in. (50mm)	Alcove Maximum Depth	30" (760mm)
Unit Top to Mantel	18 in. (450mm)		

Electrical Rating: 115 Volts, 0.7 Amperes, 60HZ.

18" Floor protection required if unit is not on a 6" or higher elevated Hearth. (Insert only)

DANGER: Risk of electrical shock. Disconnect power before servicing unit. Do Not route power cord beneath heater.
Not for use with Solid Fuel.

MANUFACTURED BY:

MANUFACTURED DATE:

Blaze King Industries
146 A Street
Walla Walla, WA.
99362
Ph# 1-509-522-2730

Valley Comfort Systems Inc.
1290 Commercial Way
Penticton, BC
V2A 3H5
Ph# 1-250-493-7444

- JAN • FEB • MAR • APR
- MAY • JUN • JUL • AUG
- SEP • OCT • NOV • DEC
- 2008 • 2009 • 2010 • 2011

0781B
Rev Mar 06

CAUTIONS

This appliance installation must conform with local codes and with the Current Edition of the National Fuel Gas code ANSI Z223.1, NFPA 54, NFPA 70, CAN/CGA B149.

The appliance and its individual shut off valve must be disconnected from the gas supply piping system during any pressure testing at pressures in excess of 1/2 psi. (3.5 kPa)

The appliance must be isolated from the gas supply piping system by closing its individual manual shut off valve during any pressure testing of the gas supply piping system at pressures equal to or less than 1/2 psi. (3.5 kPa). The appliance installer must provide a 1/2 inch N.P.T. plugged tapping accessibility for test gage connection immediately upstream of the gas supply connection to the appliance.

Should overheating occur, or the gas supply fail to shut off, turn off the manual gas valve before shutting off the electrical supply.

The Free Standing Stove appliance may be installed directly on carpeting, tile or other combustible material. The insert must be installed in an existing masonry fireplace or Listed Class A fireplace.

This appliance is equipped with a three-prong (grounding) plug for protection against shock hazard and should be plugged directly into a properly grounded three-prong receptacle. Do not cut or remove the grounding prong from the plug.

CAUTION: Do not operate the appliance with glass removed, cracked or broken. Replacement of the glass involves replacing the door assembly and should be done by a licensed or qualified service person. The door assembly must be supplied by Blaze King. Any use of substitute materials is prohibited. The ceramic glass in the door assembly is fragile - Do not abuse, strike or slam the door. This may cause damage and will void the warranty.

WARNING: If the appliance is installed in the basement, please see local codes before using propane.

Do not use this appliance if any part has been under water. Call a qualified service technician immediately to inspect the heater and to replace any part of the control system and any gas control which has been under water.

USE ONLY THE GLASS DOOR CERTIFIED WITH THIS APPLIANCE

PREPARATION & ASSEMBLY

WARNING

IMPROPER ASSEMBLY AND/OR INSTALLATION OF YOUR BLAZE KING GAS APPLIANCE, OR FAILURE TO OPERATE IT ACCORDING TO THE GUIDELINES DETAILED IN THESE INSTRUCTIONS, WILL VOID THE APPLIANCE WARRANTY. IT CAN CAUSE A HOUSE FIRE, AND MAY ENDANGER YOUR FAMILY. FOR YOUR SAFETY, FOLLOW THE ASSEMBLY AND INSTALLATION INSTRUCTIONS CAREFULLY. CONTACT LOCAL BUILDING OR FIRE OFFICIALS ABOUT RESTRICTIONS AND INSTALLATION INSPECTION IN YOUR AREA. PLEASE READ THIS ENTIRE MANUAL BEFORE YOU INSTALL AND USE YOUR NEW APPLIANCE.

- Due to high temperatures the appliance should be located out of traffic and away from furniture and draperies. See clearance diagrams in this manual.
- Children and adults should be alerted to the hazards of high surface temperature and should stay away to avoid burns or clothing ignition.
- Young children should be carefully supervised when they are in the same room as the appliance.
- Clothing or other flammable material should not be placed on or near the appliance.
- Any safety screen or guard removed for servicing a room heater must be replaced prior to operating the appliance.
- Installation and repair should be done by a qualified service person ONLY.
- The appliance and vent system should be inspected before use and at least annually by a qualified service person.
- More frequent cleaning may be required due to excessive lint from carpeting, bedding material, etc.
- It is imperative that control compartments, burners, and circulating air passageways of the appliance are kept clean.
- Before cleaning the stove, make sure it is off and cold. Remove logs and use a vacuum to clean burner and air openings in the bottom of the appliance and also on the back of the appliance.

ELECTRICAL GROUNDING INSTRUCTIONS

The power cord on this unit will have a Green wire with a ring (eye) connector on the end of it. This has to be attached to a green screw located on the bottom right of where the fan assembly rests.

WARNING - The appliance, when installed must be electrically grounded in accordance with local codes or in the absence of local codes with the National Electrical Code ANSI/NFPA 70-1987. Or the current Canadian Electrical Code - CSA.C22.1

MOBILE HOME INSTALLATION

UNIT MUST BE SECURED TO THE FLOOR .

A separate ground wire must be run from the unit to the frame of mobile home. Use a copper lug w/tab and attach to the hole in the right rear of the pedestal.

A manufactured home (mobile home) installation must conform with the Manufactured Home construction and Safety Standard, Title 24 CFR, Part 3280. When such a standard is not applicable, the Standard for Manufactured Home Installations, ANSI A225.1/NFPA 501A.

PLANNING YOUR STOVE PLACEMENT

As you plan your installation consider the following:

The stove should be placed in the home as centrally as possible. Consider safety, convenience, traffic flow. You must also considered where you will be venting the appliance.

DUE TO HIGH TEMPERATURE THE ROOM HEATER SHOULD BE LOCATED OUT OF TRAFFIC AND AWAY FROM FURNITURE AND DRAPERIES. MINIMUM CLEARANCES SHOWN ON PAGES 26-27 ARE TO PREVENT WALLS AND CEILINGS FROM CATCHING ON FIRE.

For the type of vent system to be used, see pages 15-23. Electrical Power is 115-60HZ SEE PAGE 34 FOR TERMINATION CHART

WARNING

ONLY PERSONS LICENSED TO WORK WITH GAS PIPING MAY MAKE THE NECESSARY GAS CONNECTION TO THIS APPLIANCE. BE SURE GAS PLUMBING INSTRUCTIONS AND ALL STATE AND LOCAL CODES ARE CAREFULLY FOLLOWED. USE APPROVED FLEXIBLE GAS CONNECTIONS OR RIDGED PIPING, TO ATTACH BURNER TO GAS SUPPLY, DEPENDING ON STATE OR PROVINCIAL AND LOCAL CODES . BE SURE TO USE PROPER SIZE GAS SUPPLY LINE. CAREFULLY CHECK ALL CONNECTIONS WITH SOAP AND WATER SOLUTION FOR GAS LEAKS .

NOTE: DO NOT CHECK FOR LEAKS USING AN OPEN FLAME.

The installation must conform with local codes or, in the absence of local codes, with the *National Fuel Gas Code, ANSI Z223.1/NFPA 54*, or the *Natural Gas and Propane Installation Code, CSA B149.4*.

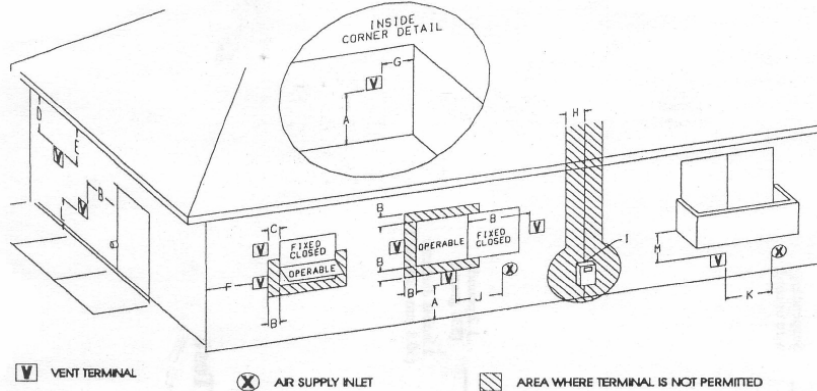
A manufactured home (USA only) installation must conform with the *Manufactured Home Construction and Safety Standard, Title 24 CFR, Part 3280*, or, when such a standard is not applicable, the *Standard for Manufactured Home Installation, ANSI/ NCSBCS A225.1*, or *Standard for Gas Equipped Recreational Vehicles and Mobile Housing, CSA Z240.4*.

CLEANING YOUR PEGASUS 9603

Your appliance was designed with very low maintenance in mind. At the end of the heating season simply turn the control knob on the gas valve to the "OFF" position. Allow the unit to cool off completely remove logs and embers. Vacuum all accessible portions of the unit, including inside of the fire box. Replace logs and embers.

NOTE: THERE ARE NO PARTS THAT REQUIRE LUBRICATION ON THIS STOVE

STOVE PLACEMENT DIAGRAM



	Canadian Installations	US Installations
A= Clearance above grade, veranda porch, deck or balcony	*(min. 12"/30 cm)	*(min. 12"/30 cm)
B= Clearance to window or door that may be opened	*(min. 12"/30 cm)	*(min. 12"/30 cm)
C= Clearance to permanently closed window	*(min. 12"/30 cm)	*(min. 12"/30 cm)
D= Vertical clearance to ventilated soffit located above the terminal within a horizontal distance of 2' (61 cm) from the centerline of the terminal	*min. 18" (46 cm) check with local code	*min. 18" (46 cm) check with local code
E= Clearance to unventilated soffit	*min. 12" (30 cm)	*min. 12" (30 cm)
F= Clearance to outside corner	No requirements	No requirements
G= Clearance to inside corner	12"/30cm	12"/30cm
H= Clearance to each side of centerline extended above meter/regulator assembly	3' (91cm) within a height 15' (4.5m) above the meter/regulator assembly	*
I= Clearance to service regulator vent outlet	3' (91cm)	*
J= Clearance to no mechanical air supply inlet to building or the combustion air inlet to any other appliance	12" (30cm)	9" (23cm)
K= Clearance to a mechanical air supply inlet	6' (1.83 m)	3' (91 cm) above if within 10' (3 m) horizontally
L= Clearance above paved sidewalk or paved driveway located on public property	7' (2.13 m) [†]	*
M = Clearance under veranda, porch, deck or balcony	12" (30 cm) [‡]	*

¹ In accordance with the current CSA B149.1, *Natural Gas and Propane Installation Code*

² In accordance with the current ANSI Z223.1/NFPA 54, *National Fuel Gas Code*

[†] A vent shall not terminate directly above a sidewalk or paved driveway that is located between two single family dwellings and serves both dwellings.

[‡] Permitted only if veranda, porch, deck or balcony is fully open on a minimum of two sides beneath the floor.

* For clearances not specified in *ANSI Z223.1/NFPA 54* or *CSA B149.1*, one of the following shall be indicated:

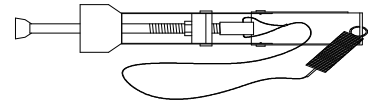
a) A minimum clearance value determined by testing in accordance with section 2.23.7, or ;

b) A reference to the following footnote: "Clearance in accordance with local installation codes and the requirements of the gas supplier"

When installing this appliance in a solid fuel burning fireplace, refer to the OM-Z9626 manual that accompanies the Z9626 installation kit.

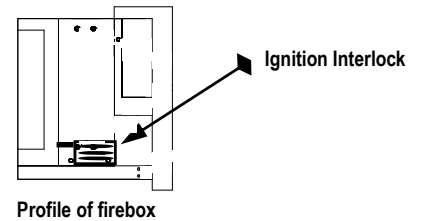
SPRING TENSION LANYARD

The Spring Tension Lanyard is a simple safety device. It is integrated with the door latch and is not a user serviceable part of the stove.



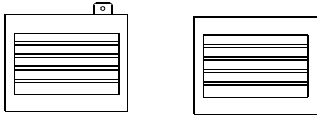
IGNITION INTERLOCK SAFETY SYSTEM

Each Blaze King Pegasus direct vent stove comes with a Ignition Interlock Safety System. The system was designed to prevent a potentially dangerous gas build up. This simple switching device will not allow you to light the pilot without opening the viewing door. In addition it will not allow the main burner to be lit unless the viewing door is closed. Please follow the lighting instructions in this manual and on the stove.

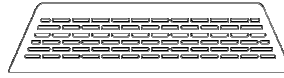


9603 INSERT KIT CONTENTS

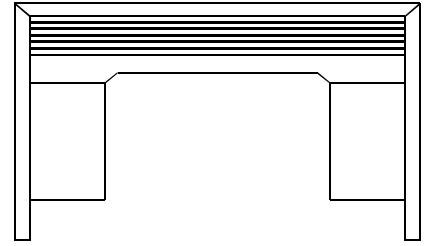
LOWER LEFT AND RIGHT SHROUDS
FIG. 26



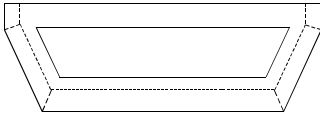
TOP TRIM



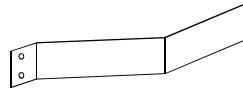
MAIN SHROUD - FIG. 27



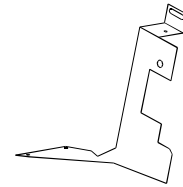
OUTER TOP - FIG. 28



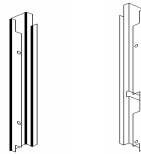
WIRE SUPPORT BRACKET
FIG. 29



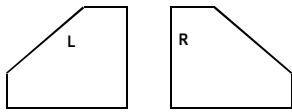
VALVE BRACKET



LEFT & RIGHT SIDE
COVER PLATES



Left & Right Upper Shroud Bracket



Tie Wrap X6



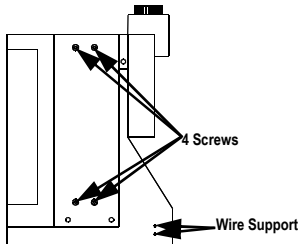
#2 Square Drive Screw

Strain Relief

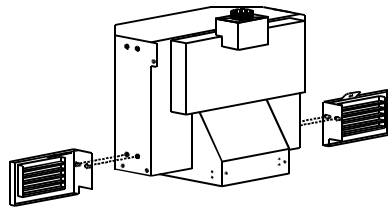


9603 INSERT ASSEMBLY INSTRUCTIONS

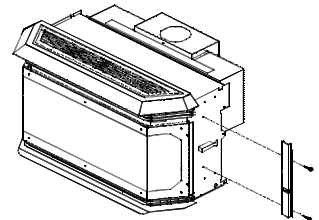
SCREW AND HOLE
IDENTIFICATION FIG. 32



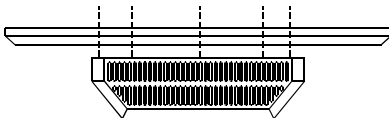
ATTACH LOWER LEFT AND RIGHT
SHROUDS FIG. 33



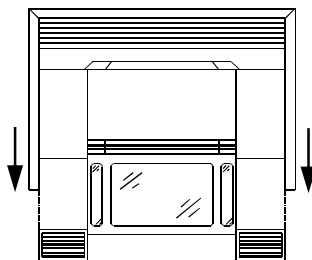
ATTACH LEFT & RIGHT
COVER PLATES



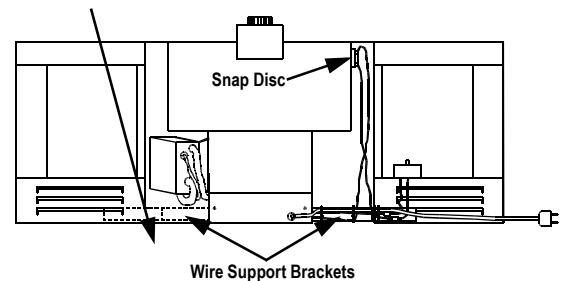
ATTACH OUTER TOP TO
MAIN SHROUD FIG. 35



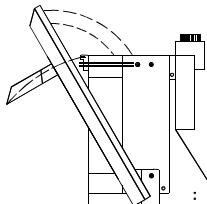
POSITION MAIN SHROUD
FIG. 36



INSTALL WIRE SUPPORT BRACKETS
AND ROUTE WIRES FIG. 34



INSTALL MAIN SHROUD
ASSEMBLY FIG. 37



“WARNING: Failure to position the parts in accordance with these diagrams or failure to use only parts specifically approved with this appliance may result in property damage or personal injury.”

9603 INSERT ASSEMBLY INSTRUCTIONS

DESCRIPTION	CONTENTS PART NUMBER	QUANTITY
MAIN SHROUD		1
LEFT LOWER SHROUD	R8184-L	1
RIGHT LOWER SHROUD	R818R	1
LEFT UPPER SHROUD BRACKET	R8186-L	1
RIGHT UPPER SHROUD BRACKET	R8186-R	1
VALVE BRACKET	R8144B	1
WIRE SUPPORT BRACKET	R8115A	2
TIE WRAP	0030	6
LEVELING BOLTS 3/8"	0410	2
LOCK NUTS	0150	2
#2 X 1/2" SQ. DR. SCREWS	0296A	20
WIRE CLAMP	0877	1
STRAIN RELIEF	0371	1
LEFT COVER PLATE	R8187-L	1
RIGHT COVER PLATE	R8187-R	1

Insert Units can only be installed in a masonry fireplace or a listed wood burning "0" clearance fireplace.

PREPARATION FOR INSTALLATION IN A SOLID-FUEL BURNING FIREPLACE

The installer must mechanically attach the marking label #0163 supplied with the gas fireplace insert to the inside of the firebox of the fireplace into which the gas fireplace insert is installed.

Cutting any sheet-metal parts of the fireplace, in which the gas fireplace insert is to be installed, is prohibited.

"If the factory-built fireplace has no gas access hole(s) provided, an access hole of 1.5 inch (37.5 mm) or less may be drilled through the lower sides or bottom of the firebox in a proper workmanship like manner. This access hole must be plugged with on-combustible insulation after the gas supply line has been installed."

The fireplace flue damper can be fully blocked open or removed for installation of the gas fireplace insert.

The fireplace and fireplace chimney must be clean and in good working order and constructed of non-combustible materials.

Chimney cleanouts must fit properly.

Glass doors, screen rails, screen mesh and log grates can be removed from the fireplace before installing the gas fireplace insert.

Smoke shelves, shields and baffles may be removed if attached by mechanical fasteners.

Trim panels or surrounds shall not seal ventilation openings in the fireplace.

1. Remove fire box from carton. Place on floor.
2. Note 4 screws on each side of the fire box.(Fig. 32, p.11) Remove screws.
3. Attach the left and right cover plates to the firebox using the front top and bottom screws on each side of the firebox as indicated in the illustration on the previous page. Note that you will have to remove the door latch on the right side of the stove, secure the right cover plate, and then re-install the door latch.
4. Attach both lower left and right shroud assemblies by lining up the bottom two screw holes on each side of the fire box, with the corresponding holes in the shroud assemblies, and securing with the screws previously removed. (Fig. 33, p. 11)
5. Attach left and right upper shroud brackets where the top two screw holes on each side are. When the bracket is attached there should be a single screw hole facing forward towards the front of the stove. Brackets have a 3/4" bend on 2 sides, which point down.
6. Locate two oblong screw holes on top of the right lower shroud. The insert valve bracket will mount here.
7. Position the valve bracket just behind the right lower shroud. The small support leg on the bracket should be facing up and towards the fire box. Line up the two holes in the triangular bottom of the valve bracket, underneath the two oblong holes of the shroud. Secure with two screws.

WARNING: FAILURE TO USE ONLY PARTS SPECIFICALLY APPROVED WITH THIS APPLIANCE MAY RESULT IN PROPERTY DAMAGE OR PERSONAL INJURY.

8. The small support leg should now be lined up with the hole in a tab coming off of the fire box. Secure support leg to fire box with screw provided in kit.
9. Locate two screws securing the Robertshaw valve to the fire box. Remove screws.
10. Pull valve over to new valve bracket, line up the corresponding holes and secure with two screws. The valve **MUST** be moved from its shipping bracket to the insert bracket.
11. Locate two holes on the top right edge of the right hand shroud. This is where the burner switch/piezzo push button assembly will mount.
12. Locate the burner switch/piezzo button assembly secured adjacent to the valve. Cut the tie wrap and move the assembly over to the right shroud and line up the two holes on the switch bracket with the holes on the top lip of the right shroud. Secure with two screws.
13. At this point in time it is necessary to determine which side of the shroud the fan cord will come out of. Two wire support brackets are included in the insert kit. These attach to the left and right side of the fan box with two screws. If the cord is to be routed out of the left side, it is necessary to install only one support bracket. If fan cord is to be routed out the right side then both support brackets must be installed. (Fig. 32,34, p. 11)

9603 INSERT ASSEMBLY INSTRUCTIONS

16. Connect the fan and snap disc wires to the rheostat located on the left side of stove. Install rheostat knob.

17. Secure the wires to the wire support bracket using a tie wrap routed through each hole in the bracket.

NOTE: IF FAN CORD IS ROUTED ON THE LEFT SIDE, SECURE FAN CORD ALONG WITH RHEOSTAT AND SNAP DISC WIRES. IF ROUTED OUT THE RIGHT SIDE, SECURE TO WIRE SUPPORT BRACKET ON THE RIGHT SIDE.

18. You may position the unit in your existing masonry or listed zero clearance fireplace at this time. If your hearth is lower than the bottom of the fire place you must install the leveling bolts provided in the insert kit. Spin a lock nut onto each bolt. Locate a threaded hole underneath the front bottom portion of the fire box, one on the left, one on the right. Insert each bolt and adjust as needed. Be sure to tighten the lock nut against the bottom of the fire box.

NOTE: If the bolts included in the kit are not long enough, simply obtain the appropriate length at your local hardware store or purchase a Hearth Extension Kit from your Dealer

WARNING! INSERT IS FRONT HEAVY- USE CAUTION WHEN INSTALLING . TWO PEOPLE ARE RECOMMENDED TO PERFORM THIS TASK

19. Connect the 1/2" flex gas supply line to the valve.

NOTE: The 9603 fire box comes with a wall thermostat. The leads should be hooked up to the terminals marked "TH" and "THTP". (See P. 32) Use 18 gauge or better wire.

20. Connect either single wall or flex pipe to the flue collar. Slide inside flue collar. Fasten with 3 screws through the 3 holes punched in the flue collar.

NOTE: If necessary to facilitate installation, the draft hood can be removed from the fire box, connected to the vent pipe, then re-installed onto the stove.

21. Secure outer top to the main shroud with five screws. Position the back of top against the main shroud and line up the corresponding holes. The screws will pass through the back of the shroud then into the top. (Fig. 35, p. 12)

22. Locate the two brackets that hold the decor above the viewing door. Note that there is an empty slot on each bracket where the bottom lip on the front of the outer top will engage.

23. Position the main shroud in front of the stove at a 45 deg. angle (top towards you). Engage the bottom "legs" of the shroud around the outside of the lower left and right shrouds. (Fig. 36, p. 12)

24. Tilt the main shroud upward and engage the bottom inside lip of the outer top into the empty slots on the decor brackets. Square up the main shroud to the fire box. (Fig. 37, p. 12)

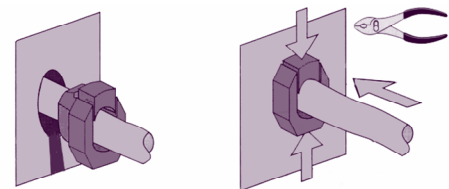
25. Open the left shroud door. Note the holes now lined up to the right of the magnetic catch. Secure the main shroud to the upper shroud bracket with one screw. Repeat with the right side.

26. Locate two access holes above the fan cord exits on both left and right sides of the main shroud. Pass a screw through the access hole, through the second hole in the main shroud, and tighten to the lower shroud. Repeat with second screw.

27. Repeat with opposite side.

28. Take the fan cord and push it up into the exit hole on the side of the shroud. Wrap the strain relief around the cord, compress the top and bottom with a pair of pliers, (see illustration right) and push into the hole. Push insert flush against fire place.

STRAIN RELIEF INSTALLATION



INSERT TOP TRIM INTO THE RECESSED HOLE OF THE OUTER TOP AT THIS TIME

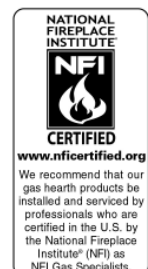
AIR SHUTTER ROD INSTALLATION

Note: On all units manufactured from May 2003 and on the air shutter is installed at the factory.

To adjust open the viewing door and grasp small rod located in the back right of the firebox and with pliers lift up and/or pull down to adjust the flame pattern as desired.

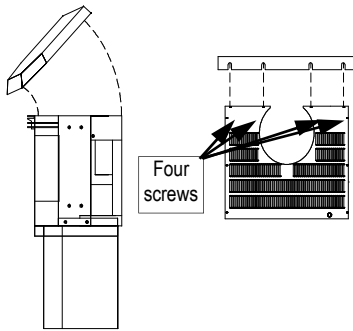
Note: If burner tray is removed:

MAKE SURE THAT THE SPRING IS IN PLACE ON THE MAIN BURNER ORIFICE, AND THAT THE MAIN BURNER ORIFICE SEATS ITSELF INSIDE THE BURNER AIR SHUTTER.



PEGASUS 9603 TOP AND REAR VENT ASSEMBLY

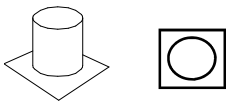
Each Blaze King Pegasus 9603 Freestanding comes fully assembled with the exception of the Exhaust Connector and Appliance Adapter. Please follow the simple directions below to complete the venting connection.



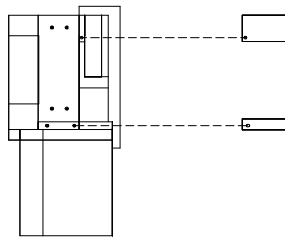
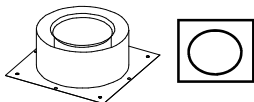
Vent Connection Assembly Instructions 9603BK-NT (9603 Freestanding Top Vent)

Using a #2 Square Drive screwdriver, back out the four screws that secure the outer top to the stove. (see illustration) Pull the outer top off and, using four screws, secure the 4" Exhaust Connector and gasket to the stove. Now slide the Appliance Adapter and gasket onto the exhaust connector and secure with 8 - #2 Square Drive screws provided. Replace outer top making sure to engage the bottom front of the top into the bracket on the firebox. Tighten the four screws.

EXHAUST CONNECTOR AND GASKET



APPLIANCE ADAPTER AND GASKET



Vent Connection Assembly Instructions 9603BK-NR (9603 Freestanding Rear Vent)

Using a #2 Square Drive screwdriver, secure the 5" Exhaust Connector and gasket to the stove using four screws. Now slide the Appliance Adapter and gasket onto the exhaust connector and secure with the 8 - #2 Square Drive screws provided. Replace outer top making sure to engage the bottom front of the top into the bracket on the firebox. Tighten the four screws.

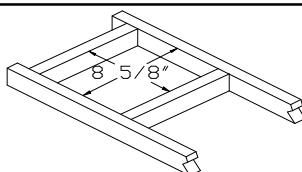
NOTE: It may be necessary to remove the outer back if the Appliance adaptor does not easily engage the Exhaust Connector.

VENTING REQUIREMENTS

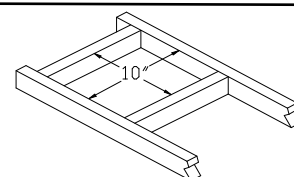
- ◆ The Pegasus 9603 appliance utilizes Simpson Dura-Vent®, Model GS Direct Vent gas pipe. The appliance must be vented directly to the outside of the building, and never in, or attached to, a chimney serving a separate solid fuel or gas burning appliance. Each direct vent unit must use its own separate vent system.
- ◆ For Customer Service, Technical support, or the location of the nearest Simpson Dura Vent Dealer, please call **1-800-835-4429 (DuraVent customer service)**
- ◆ When the vent passes through a ceiling, a support box or firestop is required
- ◆ When the vent passes through a wall, a wall thimble is required. (Canada only)
- ◆ When the vent passes through the roof, a roof flashing and storm collar are required.
- ◆ Unless otherwise directed by Blaze King, follow instructions provided with the vent pipe and fittings
- ◆ Maintain a 1" clearance from vent to combustibles.
- ◆ Do not let fiber glass insulation touch vent pipe.
- ◆ Horizontal Sections of pipe require a 3/8" of rise for every 12" of run.
- ◆ Horizontal Sections require support every 3 feet. Use non-combustible material, such as plumbers tape.
- ◆ Vent may be installed in a chase. Maintain a 1" clearance from combustibles.
- ◆ 8" Pipe joints require RTV on each outside joint.

This direct vent appliance must be installed using an approved venting system. All vent pipe joints must be sealed with a high temperature sealant in order to meet the ANSI/CSA leakage limit standards.

Wall and ceiling min. frame opening for 6 5/8" pipe is 8 5/8".



Wall and ceiling min. frame opening for 8" pipe is 10"



VENTING REQUIREMENTS

The tables below indicate the number of straight section joints allowed when using other vent components. (i.e. elbows, slip joints etc.)

4" and 6" w/o sealant

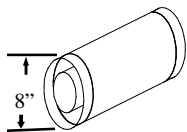
Straight	11	10	10	9	9	8	10	8	9	7	8	6	8	7	7	6	6	5	2
45° elbow	0	0	0	0	0	0	1	1	1	1	1	1	2	2	2	2	2	2	
90° elbow	0	0	1	1	2	2	0	0	1	1	2	2	0	0	1	1	2	2	
Adjustable	0	1	0	1	0	1	0	1	0	1	0	1	0	1	0	1	0	1	

4" and 6" with sealant on inner (exhaust) joints

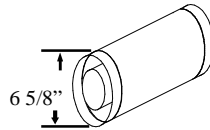
Straight	57	55	54	53	51	50	54	53	52	50	49	47	52	50	49	48	46	45
45° elbow	0	0	0	0	0	0	1	1	1	1	1	1	2	2	2	2	2	2
90°	0	0	1	1	2	2	0	0	1	1	2	2	0	0	1	1	2	2
Adjustable	0	1	0	1	0	1	0	1	0	1	0	1	0	1	0	1	0	1

All 5" X 8" Joints require sealant on outer (intake) joints

PIPE SIZE WHEN VENTING OUT THE REAR



PIPE SIZE WHEN VENTING OUT THE TOP



MAXIMUM OF TWO ELBOWS PER PIPE INSTALLATION

- 2 - 90 DEGREE
- OR**
- 2 - 45 DEGREE

TOP VENT MEASUREMENTS

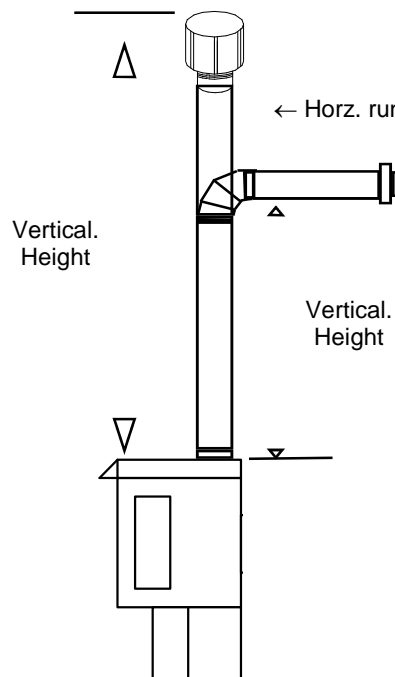
Vertical Rise is calculated by measuring from the stove top to the top of the Termination Cap (Vertical termination's), and from the stove top to the bottom of the vent on Horizontal terminations. *Horizontal Run* is calculated by measuring from the closest edge of the starting section to the end of the Termination Cap.

ELBOWS ADD 1 3/4" TO THE HORIZONTAL RUN OR VERTICAL RISE OF PIPE



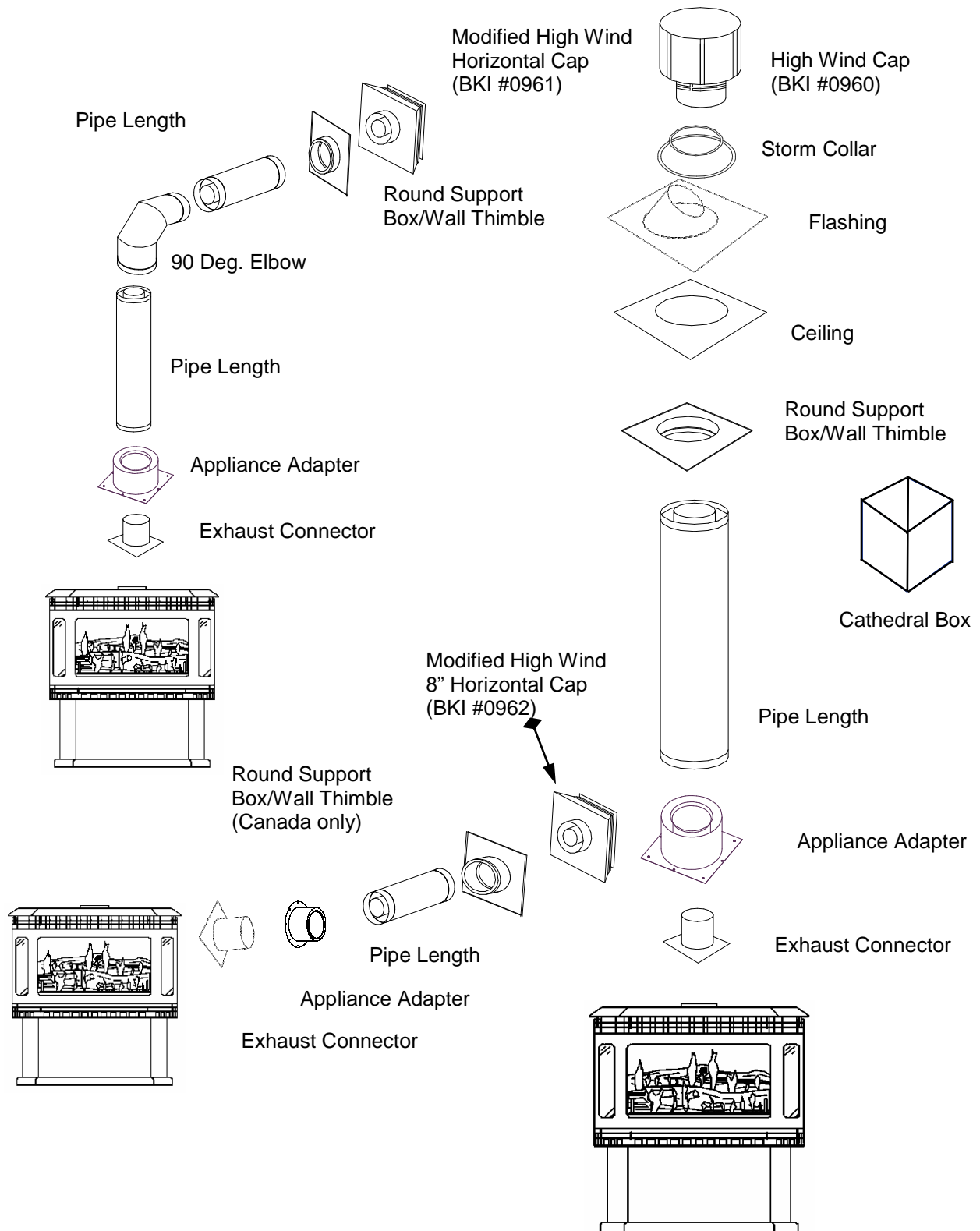
REAR VENT MEASUREMENTS

Vertical Rise is measured from the top of the pipe exiting the stove to the top of the termination cap (Vertical terminations.) or from the top of the pipe exiting the stove, to the bottom of the horizontal pipe run. *Horizontal Run* is calculated by measuring from the back of the stove to the end of the Termination Cap or elbow.



Each Pipe Joint takes off 1 1/2" when assembled together. For example, a four foot and a 3 foot pipe together would measure 6 feet 10 1/2".

VENT PARTS DESCRIPTION



VENT PARTS DESCRIPTION

DURA VENT GS AND B.K.I PART NUMBERS AND DESCRIPTIONS (MUST USE SIMPSON DURA VENT PIPE)

4 x 6 5/8"

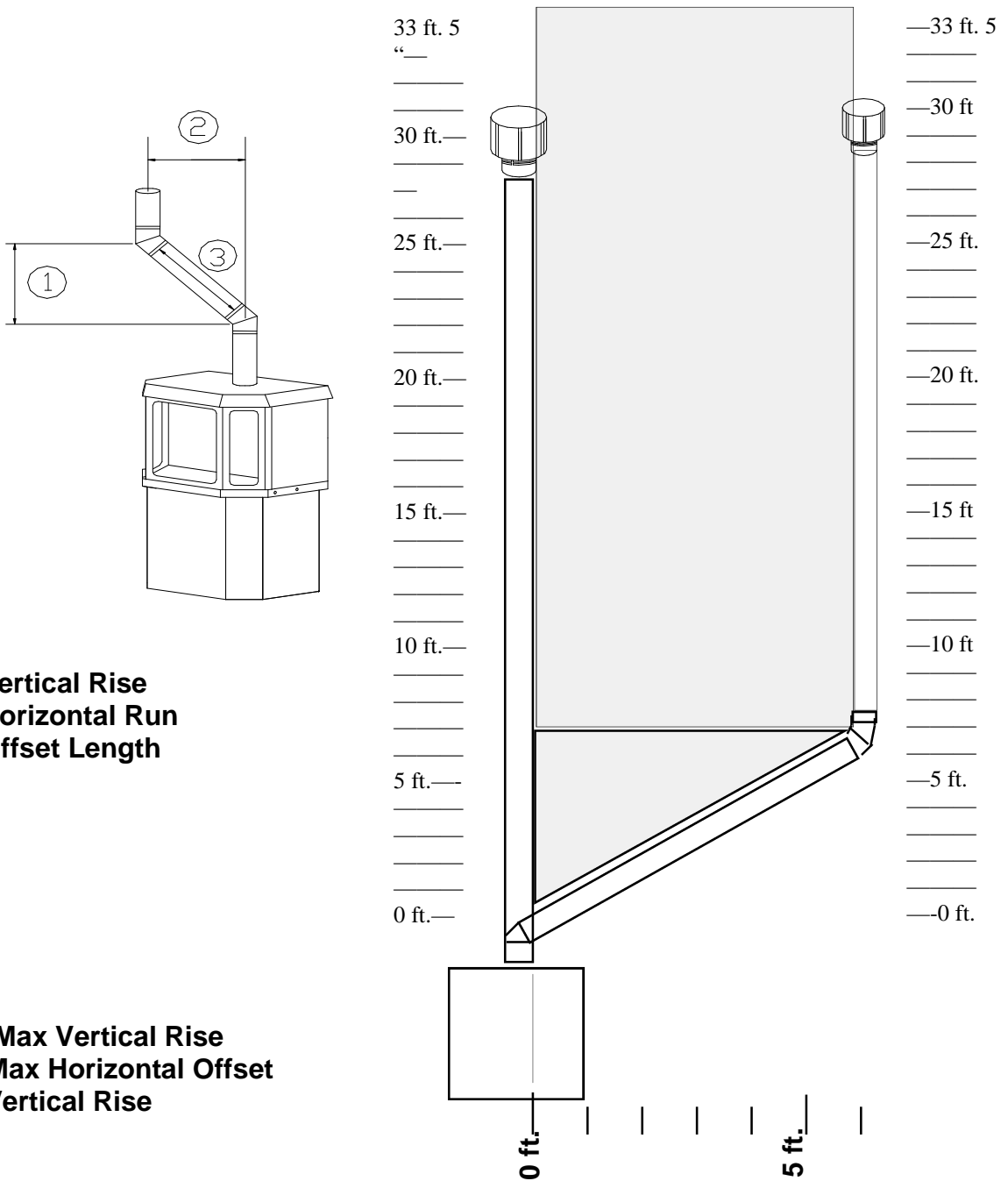
STRAIGHT PIPE LENGTHS	VENT TERMINATIONS	ELBOWS	
Old Part# / New Part#	B.K.I Part#	Old Part# / New Part#	
908B 46DVA-06B 6" Pipe Length, Black	0960 USE ONLY BKI CAP Vertical High Wind Cap	990 46DVA-E90 90° 6" Elbow	
907B 46DVA-09B 9" Pipe Length, Black	0961 Horizontal High Wind Cap	990B 46DVA-E90B 90° 6" Elbow, Black	
906 46DVA-12 12" Pipe Length, Galvanized	Old Part# / New Part#	945 46DVA-E45 45° 6" Elbow	
906B 46DVA-12B 12" Pipe Length, Black	950 46DVA-VSS Vinyl Siding Standoff	945B 46DVA-E45B 45° 6" Elbow, Black	
904 46DVA-24 24" Pipe Length, Galvanized	991 46DVA-VCH Vertical High Wind Cap	PENETRATION, SUPPORT PARTS	
904B 46DVA-24B 24" Pipe Length, Black		940 46DVA-DC Round Support Box/Wall Thimble cover	
903 46DVA-36 36" Pipe Length, Galvanized		941 46DVA-CS Cathedral ceiling Support Box	
903B 46DVA-36B 36" Pipe Length, Black		942 46DVA-WT Wall Thimble	
902 46DVA-48 48" Pipe Length, Galvanized		943 46DVA-F6 Flashing, 0/12 to 6/12 Roof Pitch	
902B 46DVA-48B 48" Pipe Length, Black		943S 46DVA-F12 Flashing, 7/12 to 12/12 Roof Pitch	
911B - 11"-14 5/8" Pipe, Adjustable Black		953 46DVA-SC Storm Collar	
- 46DVA-08AB 8,5" Black Extension (3"-7")		963 46DVA-FS Ceiling Firestop	

5 x 8"

STRAIGHT PIPE LENGTHS	VENT TERMINATIONS	ELBOWS	
Old Part# / New Part#	B.K.I Part#	Old Part# / New Part#	
1208B 58DVA-06B 6" Pipe Length, Black	0962 USE ONLY BKI CAP 8" HIGH WIND Horizontal Square Termination Cap	1245B 58DVA-E45B 45° 8" Elbow, Black	
1207B 58DVA-09B 9" Pipe Length, Black	Old Part# / New Part#	PENETRATION, SUPPORT PARTS	
1206B 58DVA-12B 12" Pipe Length, Black	1250 58DVA-VSS Vinyl Siding Standoff	1240 58DVA-DC Round Support Box/Wall Thimble cover	
1204B 58DVA-24B 24" Pipe Length, Black		1241 58DVA-CS Cathedral ceiling Support Box	
1203B 58DVA-36B 36" Pipe Length, Black		1243 58DVA-F6 Flashing, 0/12 to 6/12 Roof Pitch	
1211B - 11" to 14 5/8" Pipe, Adjustable Black		1243S 58DVA-F12 Flashing, 7/12 to 12/12 Roof Pitch	
- 58DVA-08AB 8,5" Black Extension (3"-7")		1247 58DVA-WT Wall Thimble	
- 58DVA-16AB 16" Black extension (3"- 14.5")		1253 58DVA-SC Storm Collar	
		1263 58DVA-FS Ceiling Firestop	
		1288 58DVA-WS Wall Strap	

APPROVED VENTING CONFIGURATIONS

TOP VENT VERTICAL TERMINATION ~OR~ OFFSET VERTICAL TERMINATION (2 - 45° ELBOWS)



- 1. Vertical Rise
- 2. Horizontal Run
- 3. Offset Length

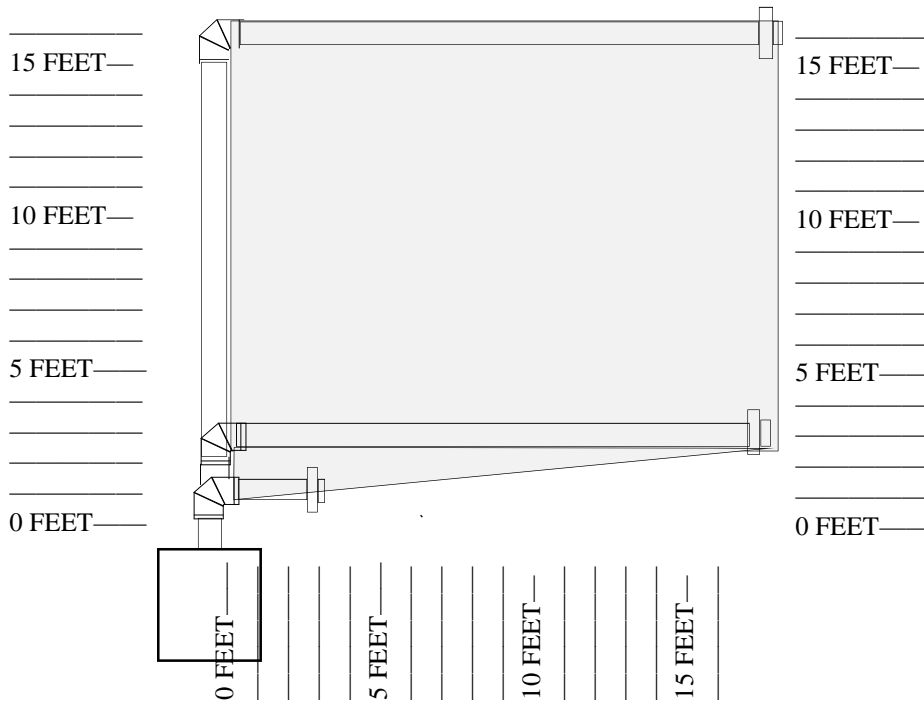
31 Feet Max Vertical Rise
6 Feet Max Horizontal Offset
9' Min. Vertical Rise

APPROVED VENTING CONFIGURATIONS CONT.

TOP VENT HORIZONTAL TERMINATION ONE 90° ELBOW

- ◆ Min. 17" Horizontal Run
- ◆ 20 3/4" Min. Vertical Rise
- ◆ 33" Max. Horizontal run w/ 20 3/4" min. vertical rise
- ◆ 16 Feet Max. Horizontal Run
- ◆ 16 Feet Max . Vertical rise.

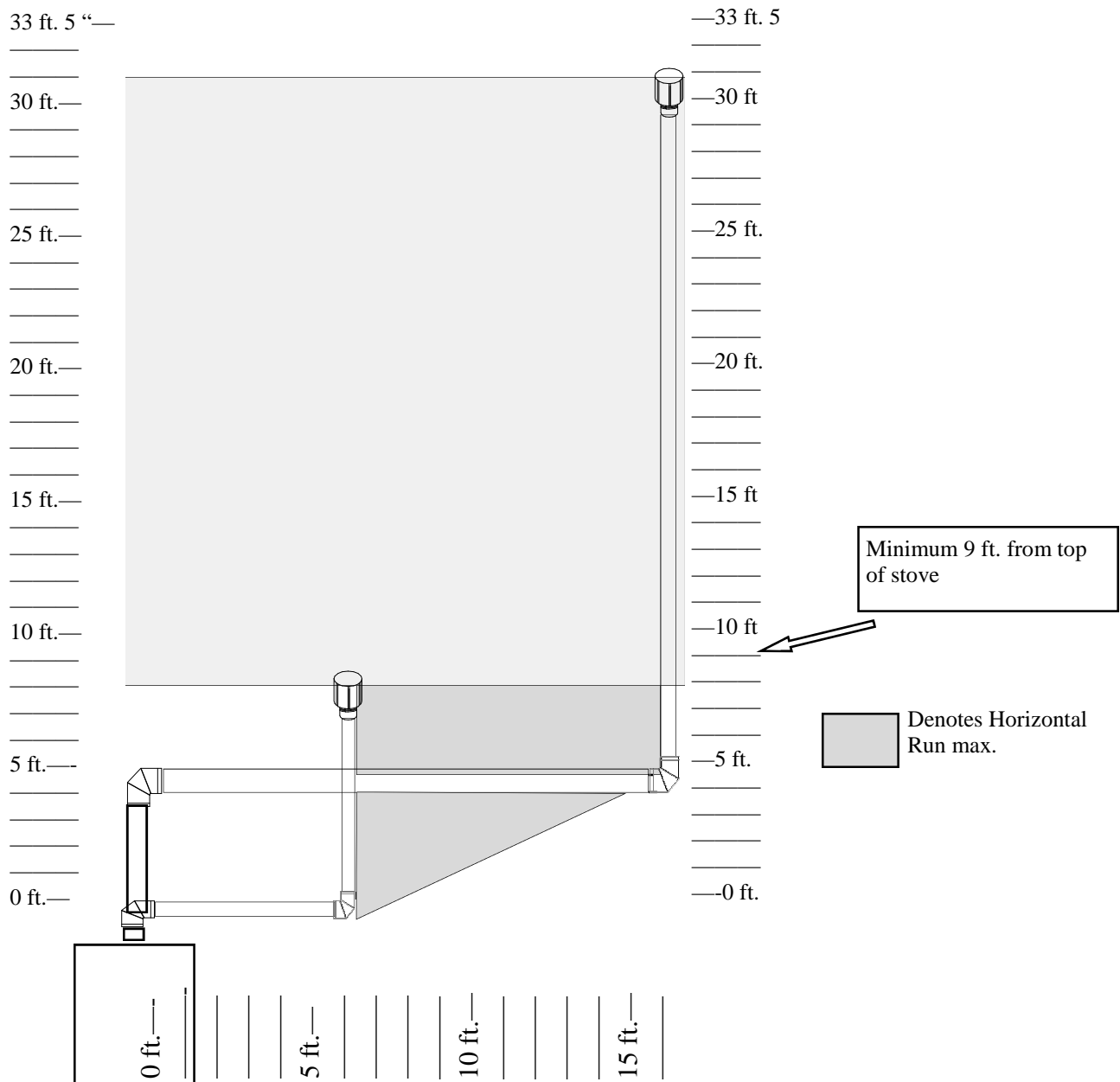
Horizontal Runs must have 3/8" of rise for every foot of travel



APPROVED VENTING CONFIGURATIONS CONT.

TOP VENT VERTICAL TERMINATION TWO 90° ELBOWS

- ◆ 31 Feet Max. Vertical rise. (Off top of stove)
- ◆ 16 Feet Max. Horizontal run

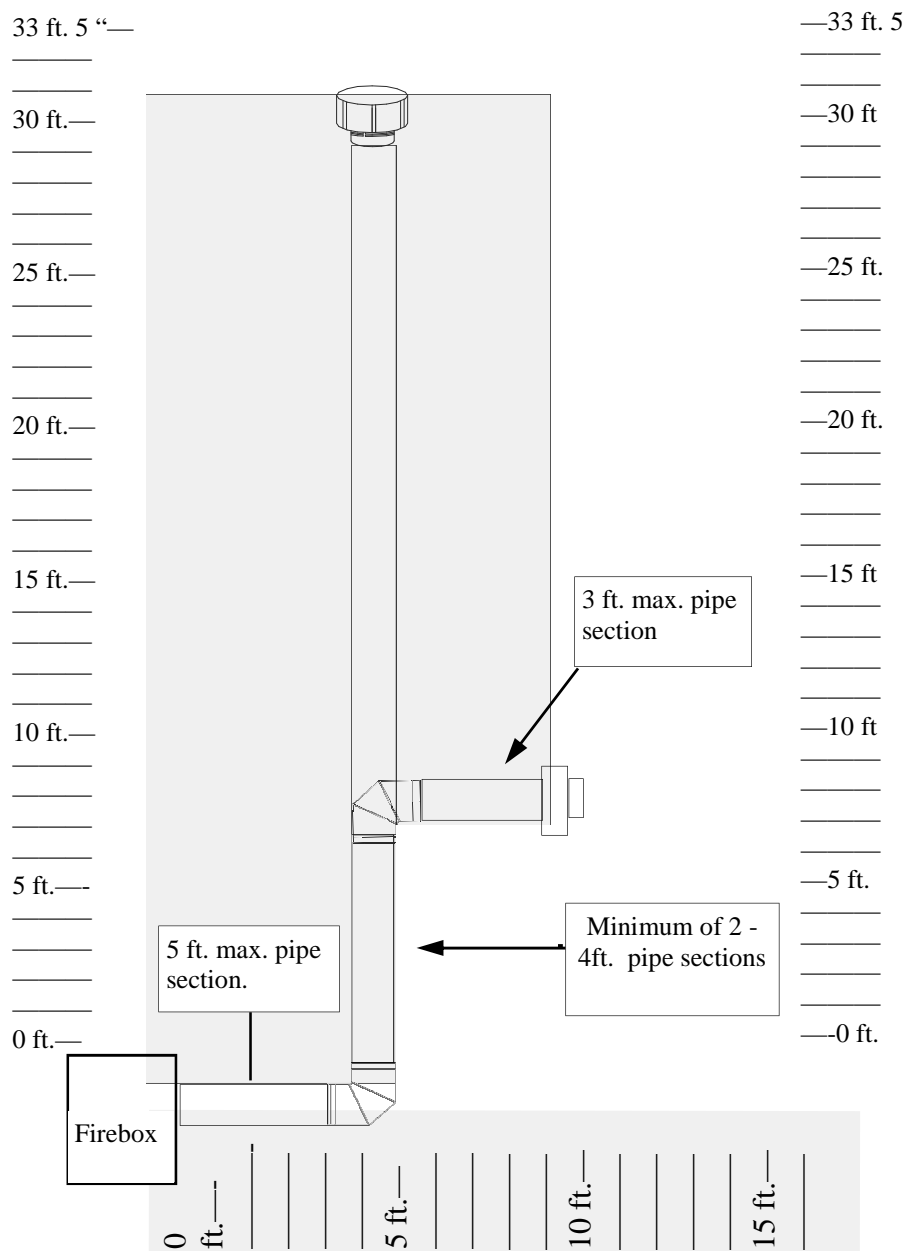


9603 FREESTANDING REAR VENT with Z9625 kit

NOTE: The Z9625 Kit reduces the 5" x 8" rear vent down to 4" x 6⁵/₈"

REAR VENT VERTICAL OR HORIZONTAL TERMINATION UP TO TWO 90° ELBOWS

- ◆ 8 Feet Minimum Vertical rise.
- ◆ 31 Feet Max . Vertical rise. (Off back of stove)
 - 8 Feet Max. Horizontal run. *5 ft. max. off back of stove then min. 8 ft. vertical rise then 3 ft max. horz. run*



APPROVED VENTING CONFIGURATIONS CONT.

REAR VENT HORIZONTAL TERMINATION

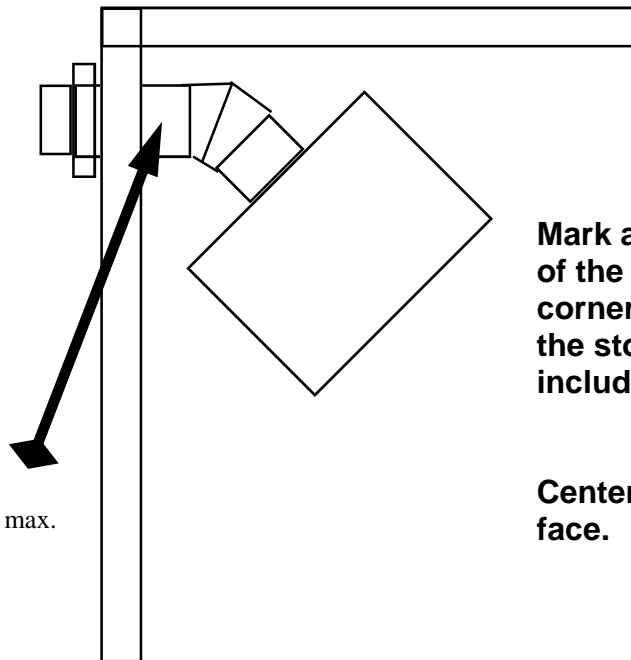
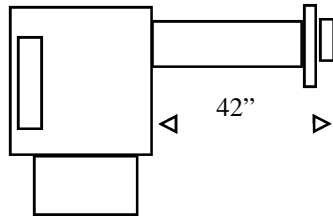
- ◆ 17 Inch minimum
- ◆ 42 Inch maximum

Pegasus Model:

Center of pipe is 25" above the surface that the freestanding stove pedestal sits on. This does not include the 5/8" wood base.

Traditional Model:

Center of pipe is 25-3/4" above floor surface.



Corner Installation:

Pegasus Model:

Mark a 10-1/2" round hole, the center of the hole should be 6" from the corner and 25 1/4" above the surface the stove sits on. This does not include the 5/8" wood base.

Traditional Model:

Center of pipe is 26" above floor surface.

SELKIRK DIRECT-TEMP™ INSTRUCTIONS

INSTALLATION INSTRUCTION APPENDIX FOR BLAZE KING MODEL: 9603-**-NT

Selkirk Model Direct-Temp™ direct venting system is now an approved option for the 9603. It has been approved by our safety certification organization, Intertek Testing Services / Warnock Hersey (ITS/WH). Simply follow the same system layout, clearance to combustibles and other guidelines as currently included in our main installation instructions for the above referenced appliances. The Selkirk Direct-Temp™ installation instructions are included with all Selkirk Direct-Temp™ terminations. They provide clarification on how certain parts and pieces are assembled, but do not give specifics on system layout options. You will need to follow both sets of instructions.

Below is a cross-reference chart for the Selkirk Direct-Temp™ system versus the system currently referenced in our instructions.

If any questions arise with respect to correlating parts or issues associated with the Selkirk Direct-Temp™ system, contact Selkirk Technical Support at 800-848-2149, ext. 203 or our Technical Support at (509) 522-2730 in USA or (250) 493-7444 in Canada.

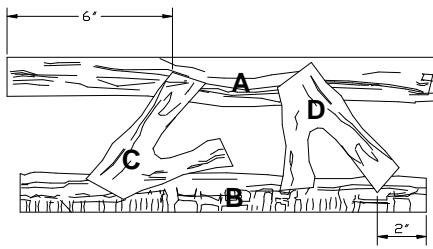
Selkirk Direct-Temp™

Simpson™ Dura-Vent Direct Vent GS®

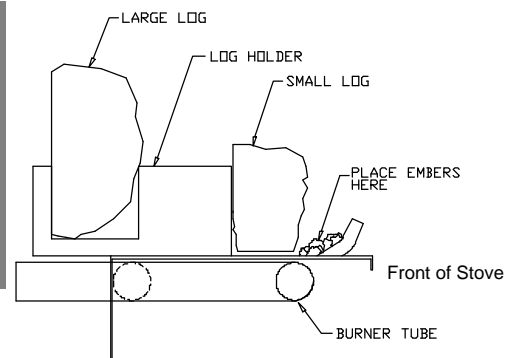
Stock No.	Description	Stock No.	Description
4DT-6	6" Pipe Length, Galvanized	908	6" Pipe Length, Galvanized
4DT-6B	6" Pipe Length, Black	908B	6" Pipe Length, Black
4DT-9	9" Pipe Length, Galvanized	907	9" Pipe Length, Galvanized
4DT-9B	9" Pipe Length, Black	907B	9" Pipe Length, Black
4DT-12	12" Pipe Length, Galvanized	906	12" Pipe Length, Galvanized
4DT-12B	12" Pipe Length, Black	906B	12" Pipe Length, Black
4DT-18	18" Pipe Length, Galvanized	n/a	n/a
4DT-18B	18" Pipe Length, Black	n/a	n/a
4DT-24	24" Pipe Length, Galvanized	904	24" Pipe Length, Galvanized
4DT-24B	24" Pipe Length, Black	904B	24" Pipe Length, Black
4DT-36	36" Pipe Length, Galvanized	903	36" Pipe Length, Galvanized
4DT-36B	36" Pipe Length, Black	903B	36" Pipe Length, Black
4DT-48	48" Pipe Length, Galvanized	902	48" Pipe Length, Galvanized
4DT-48B	48" Pipe Length, Black	902B	48" Pipe Length, Black
4DT-AJ	Adjustable Length, 11"-14", Galv.	911	Adjustable Length, 11"-14", Galv.
4DT-AJB	Adjustable Length, 11"-14", Black	911B	Adjustable Length, 11"-14", Black
4DT-EL45	45° Elbow, Galvanized	945	45° Elbow, Galvanized
4DT-EL45B	45° Elbow, Black	945B	45° Elbow, Black
4DT-EL90	90° Elbow, Galvanized	990	90° Elbow, Galvanized
4DT-EL90B	90° Elbow, Black	990B	90° Elbow, Black
4DT-AA	Appliance Adaptor, Black	n/a	n/a
4DT-CS	Ceiling Support	940	Round Ceiling Support/ Wall Thimble Cover
4DT-CSS	Cathedral Support Box	941	Cathedral Ceiling Support Box
4DT-WS/B	Wall Support/Band	988	Wall Stap
4DT-OS	Offset Support	989	Elbow Strap
4DT-WT	Round Wall Thimble, Black	942	Wall Thimble
4DT-FS	Firestop Spacer	963	Ceiling Firestop
4DT-TP	Trim Plate, Black	n/a	n/a
4DT-HVC	High Wind Vertical Cap	991	High Wind Termination Cap
4DT-SC	Storm Collar	953	Storm Collar
4DT-AF6	Adjustable Flashing, 0/12-6/12	943	Adj. Roof Flashing 0/12-6/12
4DT-AF12	Adjustable Flashing, 6/12-12/12	943S	Steep Roof Flash. 7/12-12/12
4DT-VS	Vinyl Siding Standoff	950	Vinyl Siding Standoff
4DT-VSP	Vinyl Siding Shield Plate	n/a	n/a

OAK LOG INSTALLATION

- A- BACK LOG:** This larger log should be placed in the back of the stove close to the far back wall. The flat side of (Log A) should rest flush against the flat part of the back bracket with the rough textured side of the log pointing towards you. The curved part (of Log A) should be facing upwards.
- B- FRONT LOG:** This smaller log fits in the right and left side brackets closest to you. The flat portion (of Log B) should be placed flush against the back of the bracket. After setting this log in the brackets, the rough textured side of the log should be pointing outward, facing you.
- C- LEFT TWIG:** This Y shaped log (C) sits on the left side of the front and back logs (A and B). This log (C) should be placed on the grooves so that the base of the Y is sitting on the groove in the front log and the right leg of the Y rests on the peg on the back log.
- D- RIGHT TWIG:** On the right side of Log B, there is a groove. Invert the twig so that the legs are pointing down. Place the left leg of the twig into the groove of Log B and place top portion of twig onto pin. (Note: hole should already be present in upper portion of twig)



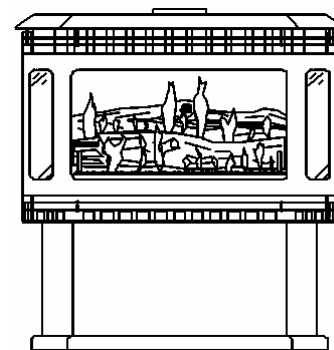
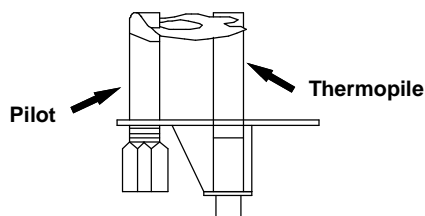
WARNING: DANGEROUS OPERATING CONDITIONS MAY OCCUR IF THESE LOGS ARE NOT POSITIONED IN THEIR PROPER LOCATIONS. FOLLOW THESE LOG INSTALLATION INSTRUCTIONS



EMBER PLACEMENT: Place embers directly on the front burner tube, leaving a 1/4" gap between the front log and the embers.

AIR SHUTTER ADJUSTMENT

THE AIR SHUTTER SHOULD BE 1/2 OPENED FOR NATURAL GAS AND FULLY OPENED FOR LIQUID PROPANE. THESE SHUTTER SETTINGS ARE APPROXIMATE, THEREFORE THE UNIT SHOULD BE ALLOWED TO BURN FOR ABOUT 10 MINUTES TO SEE IF ANY FURTHER ADJUSTMENTS ARE TO BE MADE. IF SOOTING APPEARS ON THE LOGS OR GLASS THEN THE AIR SHUTTERS NEEDS TO BE OPENED UNTIL THE SOOTING HAS STOPPED.



The pilot flame must envelope approximately 1/2 of the Millivolt Generator. It must burn clean. All parts must be lit. If there are any problems, contact your serviceman. Periodic checking of the flame pattern is necessary. The flame should look approximately like picture above left. The base of the flame must not rise above the burner plate.

GAS CONNECTION

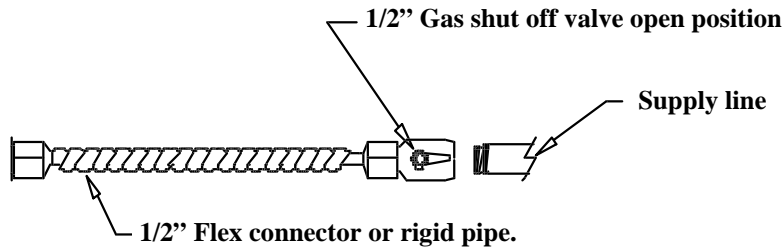
Make sure to follow all state, provincial, and local codes. Blaze King recommends the gas connection be made by a Licensed and qualified installer. The appliance can be connected to the supply line with either rigid or approved flexible gas connection. Check with state, provincial, and local codes.

NOTE: DO NOT DAMAGE OR KINK THE FLEX CONNECTOR. CHECK FOR GAS LEAKS WITH SOAP AND WATER SOLUTION.

1/2" FLEX OR RIGID PIPING MAY BE USED TO CONNECT GAS SUPPLY TO UNIT DEPENDING ON STATE, PROVINCIAL, AND LOCAL CODES.

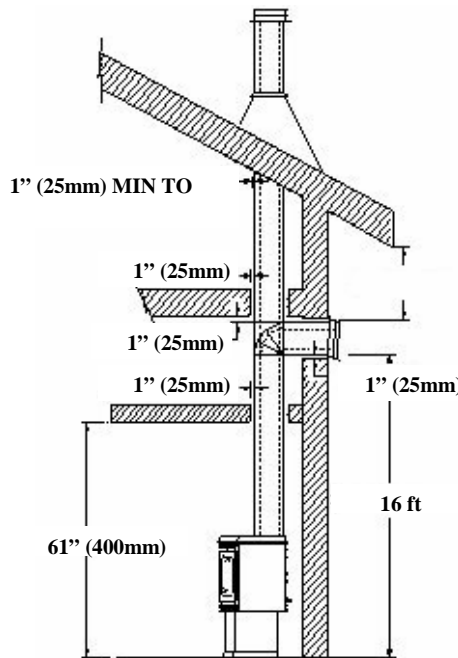
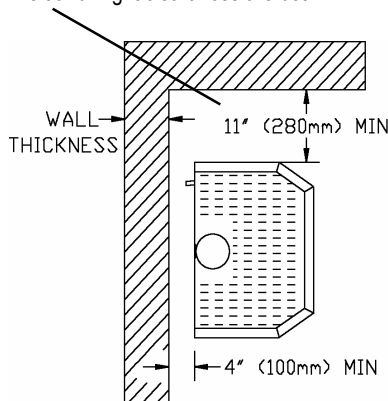
GAS SUPPLY PRESSURE:

Natural Gas.....7 in. w.c. recommended 4.5/1.12 min./10.5/2.62 max.
 LP Gas.....13 in. w.c. recommended 12.2/3.06 min./13/3.2 max.



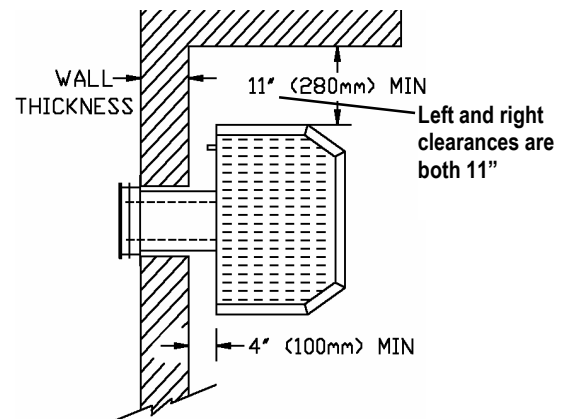
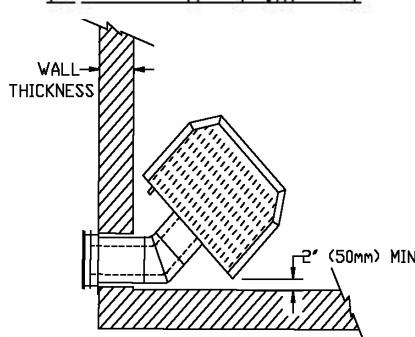
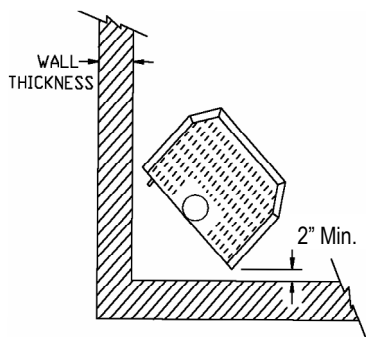
CLEARANCES TO COMBUSTIBLES

* Left and Right clearances are both 11"



For direct vent appliances, the vent air intake termination clearances, above the high side of a pitched roof, are as follows:

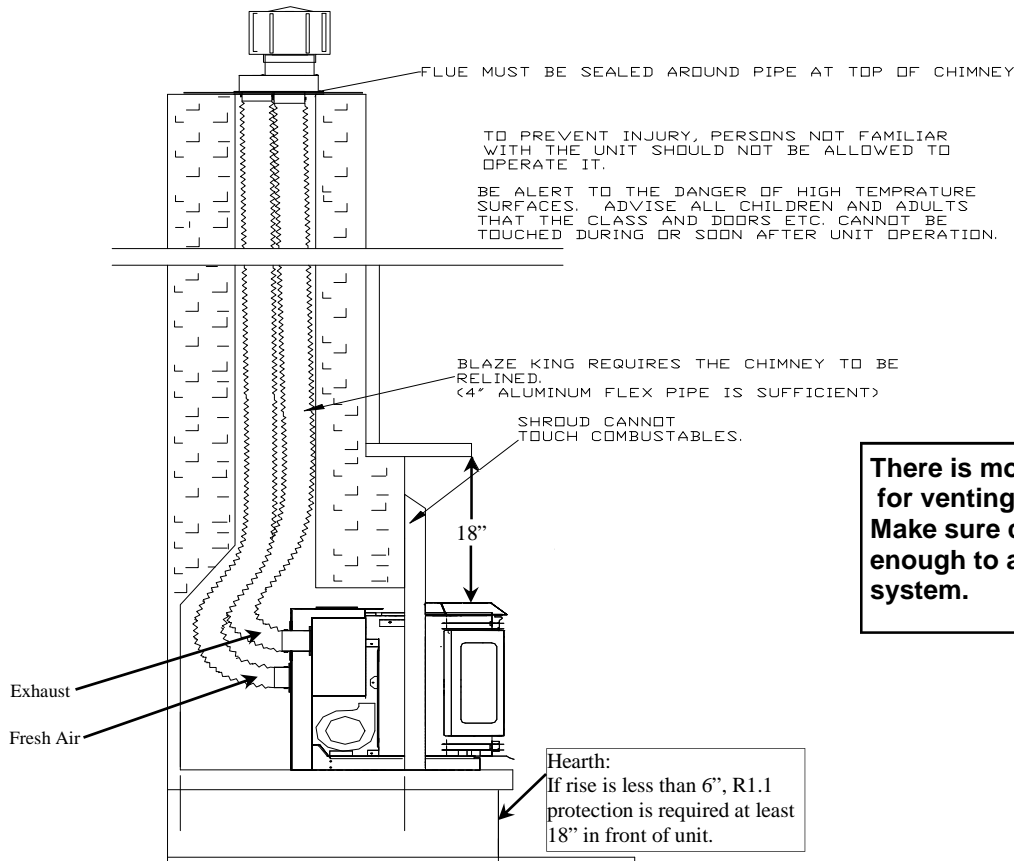
Roof Pitch Meters	Feet
Flat to 6/12 0.3	1
7/12 to 9/12 0.6	2
10/12 to 12/12 1.2	4
13/12 to 16/12 1.8	6
17/12 to 21/12 2.4	8



CLEARANCES TO COMBUSTIBLES

WARNING
ALWAYS REFER TO STATE, PROVINCIAL, AND LOCAL CODES AND VENT MANUFACTURING SPECIFICATIONS FOR SAFE AND EFFICIENT INSTALLATION

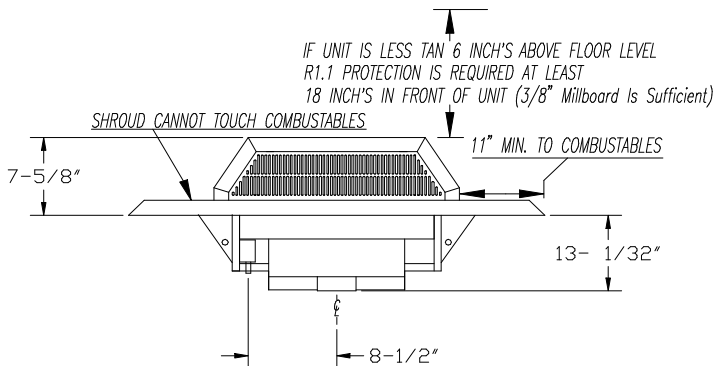
WARNING
 ALWAYS REFER TO LOCAL AND STATE SAFETY CODES AND VENT MANUFACTURING SPECIFICATIONS FOR SAFE AND EFFICIENT INSTALLATION.



There is more than 1 option for venting. Make sure chimney is large enough to accept the venting system.

THE BLAZE KING INSERT CAN ONLY BE INSTALLED IN A MASONRY FIREPLACE OR A LISTED WOOD BURNING "D" CLEARANCE FIREPLACE MODELS.

MINIMUM FIREPLACE OPENING
12" DEEP (8" REAR VENT)
19" DEEP FOR 4"x4"
33" WIDE
22" HIGH



WARNING!
Failure to use only parts specifically approved with this appliance may result in property damage or personal injury.

BURNER CONVERSION -ROBERT SHAW VALVE LP OR NATURAL GAS

CONVERSION KIT SHOULD INCLUDE REGULATOR, MAIN BURNER ORIFICE, AND PILOT ORIFICE.

Caution: Before proceeding with the conversion the gas supply must be shut off prior to disconnecting the electrical power.

BLAZE KING RECOMMENDS THIS PROCEDURE BE DONE BY QUALIFIED SERVICE PERSONNEL.

- 1..... Remove the 2 screws holding the regulator plate on valve. Remove regulator and gasket.
Position new gasket over pins and install new regulator with notched corner up.
- 2..... Open the front access door.
- 3..... Remove embers and logs.
- 4..... Lift front of burn tray and remove through door.
- 5..... Using a 1/2" wrench, break the compression fitting loose on the pilot line.
- 6..... Locate remove the 2 screws securing the pilot assy to the bottom of the fire box.
- 7..... Change the main burner orifice by unthreading existing orifice from fitting with 1/2 inch wrench. Replace with an appropriate orifice. Remove pilot line by unscrewing 1/2 inch brass fitting. Remove the pilot orifice. Replace with an appropriate pilot orifice.
- 8..... Reverse steps 1 to 6 to complete conversion.
- 9..... Fill in the conversion label on the label plate with the conversion information and fill out the label #0630 included with the conversion kit. Place the label on the inside of the side door near the valve.

WARNING: EACH CONNECTION MUST BE INSTRUMENT, OR SOAP CHECKED, FOR LEAKS WITH GAS PRESSURE ON.

BURNER CONVERSION HONEYWELL VALVE LP OR NATURAL GAS

CONVERSION KIT SHOULD INCLUDE REGULATOR SCREW, MAIN BURNER ORIFICE, AND PILOT ORIFICE.

CAUTION: Before proceeding with the conversion the gas supply must be shut off prior to disconnection the electrical power.

- 1..... Remove the grey plastic cap from the colored screw on the regulator knob. Back out colored screw and replace with different colored screw provided in kit. NOTE: Red is LP, Blue is Natrual Gas
- 2..... Open the front access door.
- 3..... Remove embers and logs.
- 4..... Lift front of burn tray and remove through door.
- 5..... Using a 1/2" wrench, break the compression fitting loose on the pilot line.
- 6..... Locate the 2 screws securing the pilot assy to the bottom of the fire box. Remove screws. Unthread the fitting the rest of the way, remove and replace pilot orifice
- 7..... Change the main burner orifice by unthreading existing orifice from fitting with 1/2 inch wrench. Replace with an appropriate orifice.
- 8..... Reverse steps 1 to 7 to complete conversion.
- 9..... Fill in the conversion label on the label plate with the conversion information and fill out the label #0630 that came with the conversion kit and place it on the inside of the side door near the valve.

WARNING: EACH CONNECTION MUST BE INSTRUMENT CHECKED OR SOAP CHECKED FOR LEAKS WITH GAS PRESSURE ON.

“This conversion kit must be installed by a qualified service agency in accordance with the manufacturer's instructions and all applicable codes and requirements of the authorities having jurisdiction. If the information in these instructions is not followed exactly, a fire, explosion or production of carbon monoxide may result causing property damage, personal injury or loss of life. The qualified service agency is responsible for the proper installation of this kit. The installation is not proper and complete until the operation of the converted appliance is checked as specified in the owner instructions supplied with the kit.”

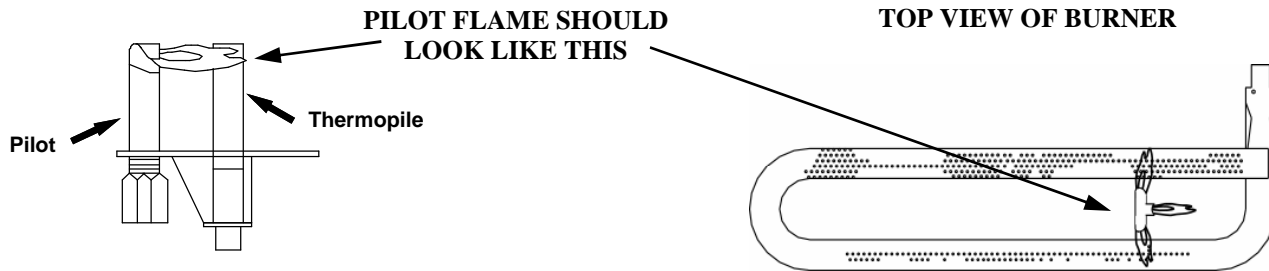
Cet équipement de conversion sera installé par une agence qualifiée de service conformément aux instructions du fabricant et toutes exigences et codes applicables de l'autorizès avoir la juridiction. Si l'information dans cette Instruction n'est pas suivie exactement, un feu, explosion ou production de protoxyde de carbone peut résulter le dommages causer de propriété, perte ou blessure personnelle de vie. L'agence qualifiée de service est esponsable de l'installation propre de cet équipement. L'installation n'est pas propre et complète jusqu'à l'opèration del'appareil converti est chèque suivant les critères établis dans les instructions de propriétaire provisionnées avec l'équipement.

AFTER CONVERSION IS COMPLETE TURN TO PAGE 32 OF THIS MANUAL AND PROCEED WITH LIGHTING YOUR APPLIANCE TO CHECK FOR PROPER OPERATION.

HIGH ALTITUDE STATEMENT

This unit has been tested for installations at a high altitude (1370 meter or higher) in accordance with Canadian test standard CAN/CGA-2.17. Higher altitudes effect the atmospheric pressure & heat value of gaseous fuels. When installing this unit at high altitudes, the rated input will be lower than at sea level. The lowered oxygen content in the air and lowered gas density requires installing a different orifice in order to achieve clean combustion of the unit. Consult the unit data plate for proper high altitude orifice size and fill out the information sticker attached to the unit when field converting. For high altitude installations, consult the local gas distributor or the authority having jurisdiction for proper rating methods.

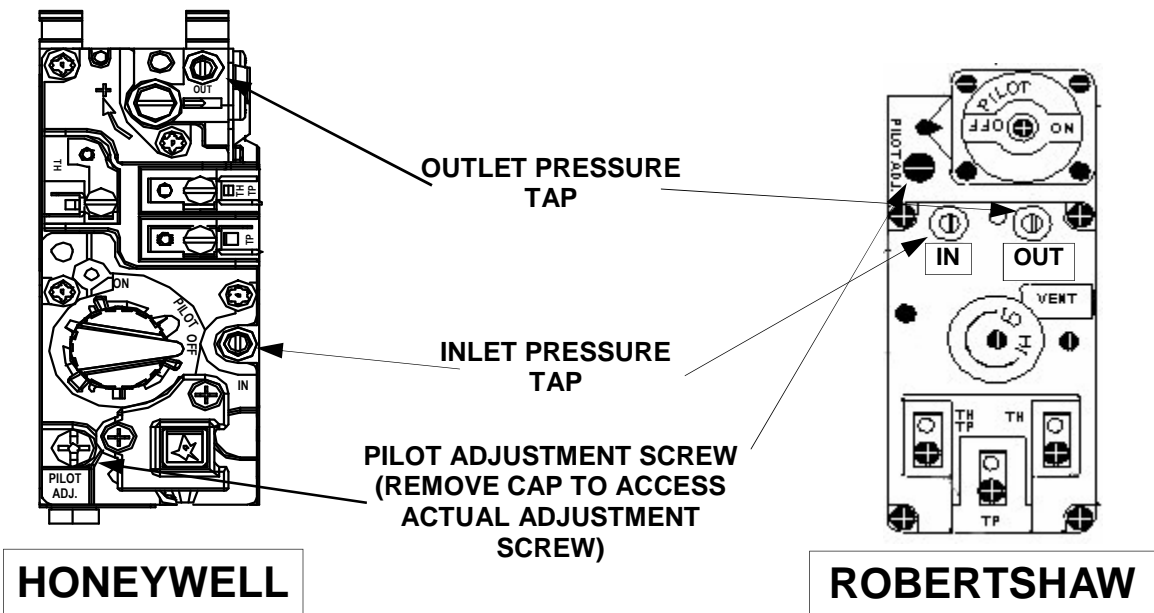
PILOT CONVERSION -ROBERT SHAW



	NATURAL GAS	LP GAS
Manifold Pressure (In w.c. / kPa)	3.5 / 0.87	11.0 / 2.74
Collecteur de pression (In w.c. / kPa)		
Manifold Pressure Lo setting (In w.c. / kPa)	1.3 / 0.32	2.7 / 0.67
Collecteur de pression à bas rendement (In w.c. / kPa)		
Minimum Inlet Pressure (In w.c. / kPa)	4.5 / 1.12	12.2 / 3.04
Maximum Inlet Pressure (in w.c. / kPa)	10.5 / 2.62	13.0 / 3.24
INPUT RATING (BTU/HR) 0-610 m (0-2000 FT.) ALT. Top / Rear Vent	38,000 / 36,000	38,000 / 36,000

**USE ONLY CONVERSION KITS LISTED BELOW (Model 9603) BLAZE KING PART#'s:
NATURAL GAS- Z0739A (Rear Vent/#31main orifice) & Z0740 (Top Vent/1/8" orifice)**

Note manifold pressures listed above. **Read lighting instructions** Cycle unit on, back out brass screw a FEW turns in the appropriate pressure test nipple as indicated below. Test for appropriate range. If regulator is not properly set, replace. Stick conversion marking on the panel inside the right door, just above the valve. Fill out conversion information on label inside of the left door on unit.
ADJUST PILOT AS NECESSARY, SEE ILLUSTRATION ABOVE FOR PROPER SIZE AND LOOK OF PILOT LIGHT.



ORIFICE SIZING TABLE

Equivalent Orifice Sizes at High Altitudes per the current edition of ANSI Z223.1
(Includes 4% input reduction for each 1,000 feet)

NATURAL GAS ORIFICE SIZE REQUIRED AT OTHER ELEVATIONS

TOP VENT Orifice size for 9603 at: (Canadian stoves, 2000 ft. - 4500 ft. use #31)

<u>Sea Level</u>	<u>2000</u>	<u>3000</u>	<u>4000</u>	<u>5000</u>	<u>6000</u>	<u>7000</u>	<u>8000</u>	<u>9000</u>	<u>10000</u>
1/8	1/8	1/8	1/8	31	31	32	32	33	33

REAR VENT Orifice size for 9603 at: (Canadian stoves, 2000 ft. - 4500 ft. use #32)

<u>Sea Level</u>	<u>2000</u>	<u>3000</u>	<u>4000</u>	<u>5000</u>	<u>6000</u>	<u>7000</u>	<u>8000</u>	<u>9000</u>	<u>1000</u>
31	32	32	32	33	34	34	35	36	37

This chart is based on gas with **1000 BTU Per Cubic Feet**.

PROPANE ORIFICE SIZE REQUIRED AT OTHER ELEVATIONS

TOP VENT Orifice size for 9603 at: (Canadian stoves, 2000 ft. - 4500 ft. use #51)

<u>Sea Level</u>	<u>2000</u>	<u>3000</u>	<u>4000</u>	<u>5000</u>	<u>6000</u>	<u>7000</u>	<u>8000</u>	<u>9000</u>	<u>10000</u>
50	50	50	51	51	51	52	52	52	53

REAR VENT Orifice size for 9603 at: (Canadian stoves, 2000 ft. - 4500 ft. use #52)

<u>Sea Level</u>	<u>2000</u>	<u>3000</u>	<u>4000</u>	<u>5000</u>	<u>6000</u>	<u>7000</u>	<u>8000</u>	<u>9000</u>	<u>10000</u>
51	52	52	53	53	53	53	54	54	55

Check with local gas company on **BTU content** of LPG and correct orifice accordingly.

LIGHTING PREPARATION

FOR YOUR SAFETY - READ BEFORE LIGHTING

WARNING - If you do not follow these instructions exactly, a fire or explosion may result causing property damage or personal injury.

- A. This appliance has a pilot that is lit with a push button Piezo lighter. When lighting the pilot, follow these instructions exactly.
- B. BEFORE LIGHTING smell all around the appliance area for gas. Be sure to smell next to the floor because some gas is heavier than air and will settle on the floor.

WHAT TO DO IF YOU SMELL GAS:

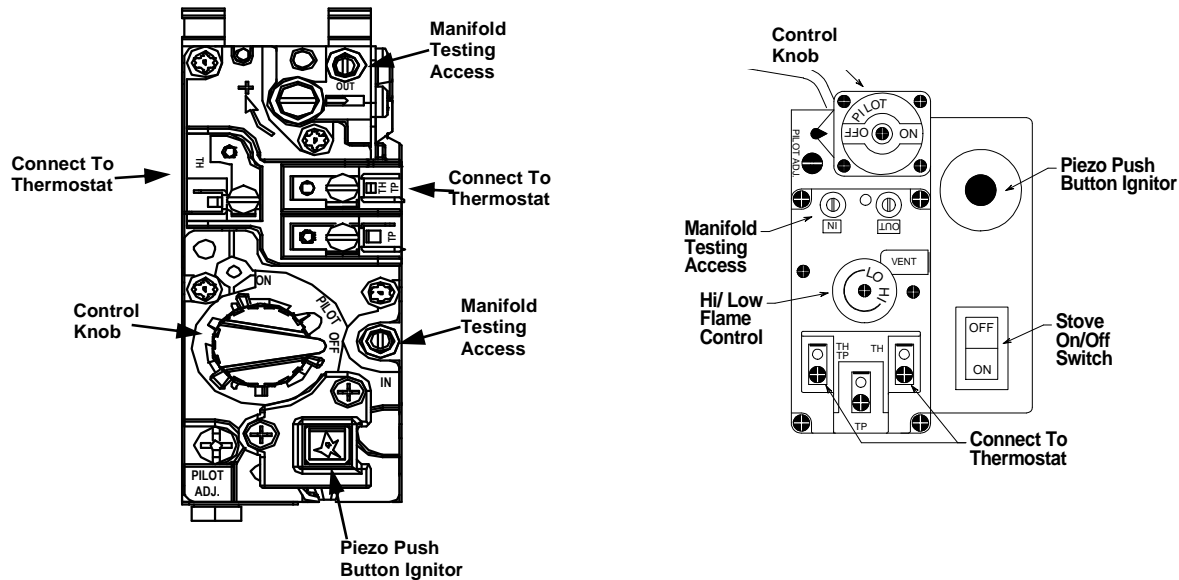
- * OPEN WINDOWS
- * DO NOT TOUCH ANY ELECTRIC SWITCH; DO NOT USE ANY PHONE IN YOUR BUILDING
- * EXTINGUISH ANY OPEN FLAME
- * IMMEDIATELY CALL YOUR GAS SUPPLIER FROM A NEIGHBOR'S PHONE AND FOLLOW THE GAS SUPPLIER'S INSTRUCTIONS
- * IF YOU CANNOT REACH YOUR GAS SUPPLIER, CALL THE FIRE DEPARTMENT

- C. **Never use tools to turn or push any control knobs or switches.** If any controls on your appliance (knobs, switches, buttons, dials) fail to move or operate properly do not force them. Excessive force or the use of tools on these controls may damage them and could result in a fire or explosion. **If you have a problem do not try to repair it, call a qualified service technician.**
- D. Do not use this appliance if any part has been under water. Immediately call a qualified service technician to inspect the appliance and to replace any part of the control system or any gas control which has been under water.

LIGHTING INSTRUCTIONS

This unit is equipped with an Ignitor Interlock System. The pilot will not light unless the viewing door is open and the main burner will not light unless the viewing door is closed.

1. **STOP! Read the safety information on the previous page.**
2. Controls are accessed by opening the right side door panel.
3. Set the optional wall thermostat to lowest setting, or switch the Stove On/Off Switch to the off position.
4. Push in the gas control knob slightly and turn clockwise to OFF.



NOTE: The knob cannot be turned from PILOT to OFF unless the knob is pushed in slightly. **DO NOT FORCE.**

5. Open the viewing door and wait five (5) minutes to clear out any gas. If you smell gas **STOP!** Follow step B in the safety information on the previous page. If you do not smell gas, go the step 7.
6. Turn Control Knob counter clockwise to PILOT position.
7. Depress control knob and push in the Piezo ignitor button. Once pilot ignites, continue to hold the control knob in for about one (1) minute after the pilot is lit. Release the knob and it will pop back up. Pilot should remain lit. If it goes out, repeat from step 5.
 - * If the knob does not pop up when released, stop and immediately call your service technician or gas supplier.
 - * If the pilot will not stay lit after several tries, turn the gas control knob to OFF and call your service technician or gas supplier.
8. Close the viewing door and turn the gas control knob counter clockwise to ON. Turn on all electric power to the appliance. Set the thermostat to desired setting, or if you are not using the thermostat, switch the Stove On/Off Switch to the on position.

NOTE: IF THERMOSTAT IS TO BE USED, THE STOVE ON/OFF SWITCH SHOULD BE IN THE OFF POSITION. IF SWITCH IS LEFT ON, THE STOVE WILL CONTINUE TO RUN AND THE THERMOSTAT WILL HAVE NO EFFECT.

NOTE: Fan operation is controlled by the temperature of the stove. It will turn on after the stove reaches approximately 200 degrees F and will continue to run after the stove is turned off until it cools down.

TO TURN OFF GAS APPLIANCE:

8. Set the thermostat to lowest setting or if you are not using the thermostat then switch the Stove On/Off Switch to the off position
9. Push in the gas control knob slightly and turn clockwise to OFF. **DO NOT FORCE.**
10. Turn off all electric power to the appliance if a service is to be performed.

STARTING THE STOVE FOR THE FIRST TIME

- ◆ **Fumes** and smoke may come from your stove. This is a result from the paint and oily residue curing and burning off on different parts of the stove and is perfectly normal. Although Blaze King burns each stove at the factory prior to shipment, there may be areas that are not fully cured. It is suggested that the stove be left burning with the fans off for a period of 2-3 hours. Make sure the building is properly vented during this process.
- ◆ **Condensation** will usually appear on the inside of the glass when the stove is turned on. This is a normal reaction, and will clear up shortly.
- ◆ **Blue Flames** will initially burn until the stove warms up a bit. The flames should then be more yellow.

ADJUSTING BLOWER SPEED

Your stove comes standard equipped with a Dual Squirrel Cage Fan. This fan helps distribute the heat produced by the stove. The fan will automatically come on within approximately 10 minutes of the stove being turned on. It will continue to run until the stove has cycled off and cooled down.



Rheostat Knob

Controls the fan speed. The fan cannot be fully turned off, as it would lower the efficiency of the unit.

ADJUSTING THE FLAME HEIGHT

To adjust the height of the flame, turn the silver HI/LO knob (Pressure Regulator) located on the valve (page 32). Turn the knob clockwise to increase flame height, and counter clockwise to decrease.

TURNING THE STOVE ON AND OFF

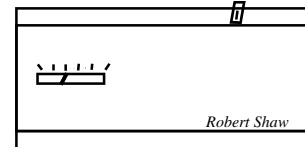
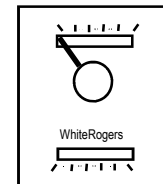
After the pilot has been established...



Stove On / Off Switch

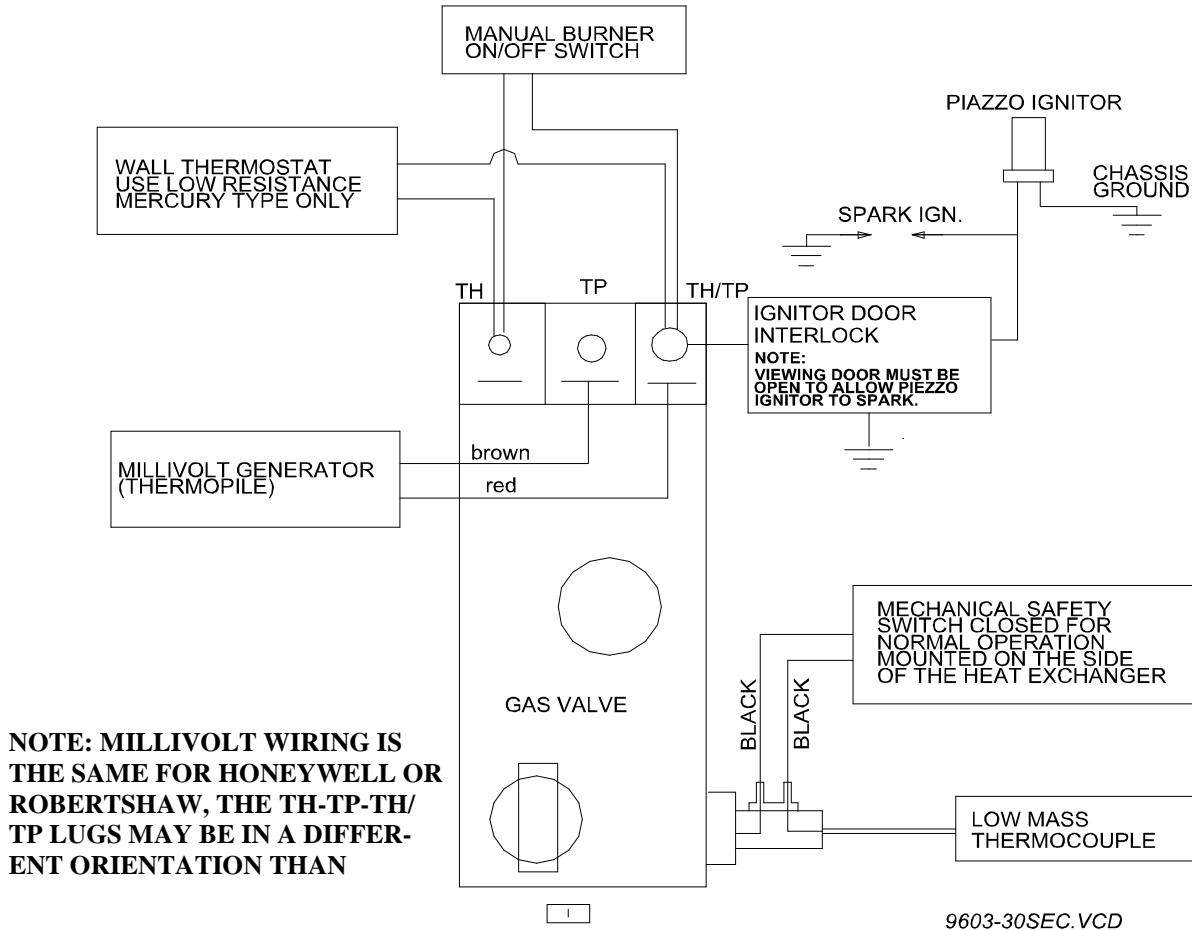
Use this switch to turn the stove on and off manually.

One of the two Millivolt Thermostats on the right come standard with every Direct Vent. It mounts on the wall and is wired directly to the stove valve. The manual switch **must** be in the off position.

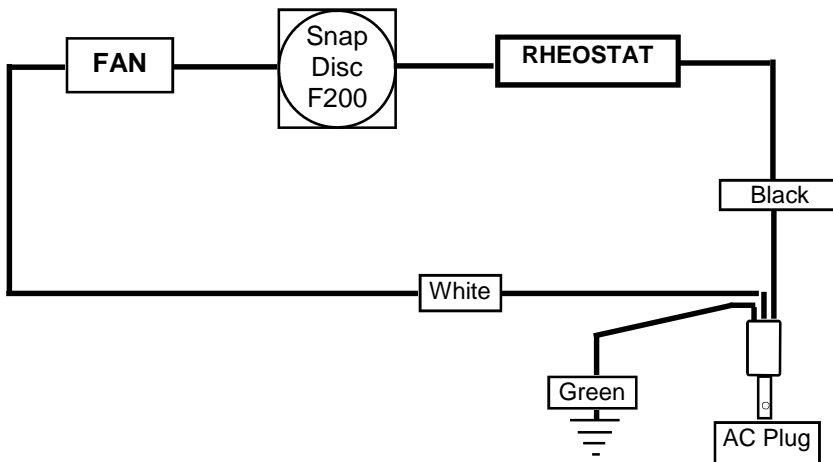


NOTE: If using any one of the thermostat controls, the manual switch must be in the OFF position. If it is left ON the stove will continue to run and the thermostats will have NO control over the stove.

WIRING DIAGRAM - MILLIVOLT

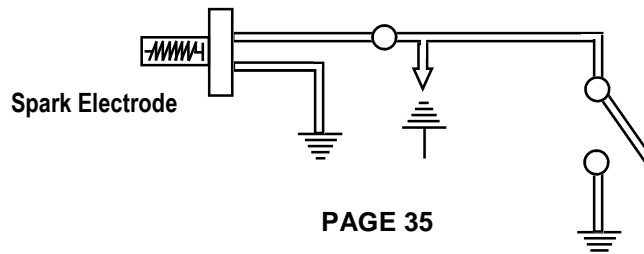


AC WIRING DIAGRAM



CAUTION
When servicing controls label all wires prior to disconnection. Wiring errors can cause improper and dangerous operation. Verify proper operation after servicing.

PIEZZO PUSH BUTTON IGNITOR



9603 REPLACEMENT PARTS LIST

<u>PART NAME:</u>	<u>PART #</u>	<u>PART NAME:</u>	<u>PART #:</u>
1. Robertshaw Gas Valve (c/w Nat. reg.)	0718VC	7. 80" Door Rope	0185
1a. Robertshaw Gas Valve (c/w LPG reg.)	0718VCP	8. Snap disk F200 (fan control)	1144B
1c. Honeywell Gas Valve (c/w Nat. reg.)	0720VC	9. Door Assembly (complete with glass)	Z9618G
2. Pilot c/w Orifice & Electrode	0721VC	10. Front Decor Bar	Z9034?
2a. Electrode c/w 24" line	0738B	11. Fan	0719B
3. Main Burner Orifice (state orifice size, see page 31)		12. ON/OFF Switch	0725
4&5. Fiber Log Set	0815	13. Push Button Ignitor	0737
6. Fiber Embers	0745	14. Oak Base (Freestanding)	0788

MUST USE DOOR ASSEMBLY CERTIFIED WITH THE APPLIANCE

The Door Assembly shall be replaced as a complete unit as supplied by the manufacture. Replacement can be accomplished by unlatching the door and lifting it up off the hinge pins. To Replace, set the door on the hinge pins, close the door, and adjust the latch.

NOT PICTURED:

<u>PART NAME:</u>	<u>PART #:</u>	<u>PART NAME:</u>	<u>PART #:</u>
15. Thermopile Generator	0721A	26. Robertshaw LPG Regulator & Orifices Kits	
16. Long Gold Trim (Insert only)	0768	Top Vent 0-2000 ft	Z0736
17. Short Gold Trim (Insert only)	0767	Rear Vent 0-2000 ft	Z0736H
18. Door Latch (Firebox)	0733	HIGH ALTITUDE KITS FOR CANADA	
19. Wall Thermostat	0736	Top Vent 2000-4500 ft	Z0736/H
20. Rheostat (fan speed control)	0136	Rear Vent 2000-4500 ft	Z0739/H
21. Robertshaw Nat. Gas Regulator	0747	When upgrading to a high altitude kit (over 2000') in the U.S.A. order a	
22. Robertshaw L.P. Gas Regulator	0734	regulator and burner orifice, please check your label for correct orifice size.	
23. 7/16 I.D x 1/2 Spring	0723	27. Safety Switch	0964
24. Thermocouple (pilot quick drop)	0842VC	28. Pilot Line - Flexible 12"	0839A
25. Honeywell LPG Regulator & Orifices Kits		29. Main Gas Line - Flexible	0838B
Top Vent 0-2000 ft	Z0776		
Rear Vent 0-2000 ft	Z0736H		
HIGH ALTITUDE KITS FOR CANADA			
Top Vent 2000-4500 ft	Z0775		
Rear Vent 2000-4500 ft	Z0771		

CAUTIONS

1. Do not use substitute materials.
2. Do not abuse the glass door such as striking or slamming shut.
3. Do not operate the stove with a broken glass door.
4. Do not use abrasive cleaners to clean glass.

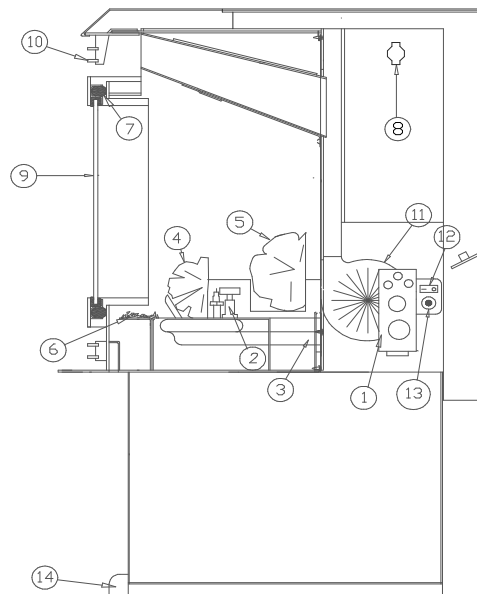
Call your local **BLAZE KING** dealer or contact

in the U.S.A.

B.K.I INC.
146 A Street
Walla Walla, WA 99362
(509) 522-2730

in Canada

Valley Comfort Systems
1290 Commercial Way
Penticton, B.C. V2A 3H5
(250) 493-7444



Notes: