

# BLAZE KING

## PRODUCTS

### *PEGASUS 9703 GAS APPLIANCE*

#### Owner's Installation and Operations Manual

#### SAVE THESE INSTRUCTIONS

**WARNING:** If the information in these instructions are not followed exactly, a fire or explosion may result causing property damage, personal injury may result.

-Do not store or use gasoline or other flammable vapors and liquids in the vicinity of this or any other appliance.

#### -WHAT TO DO IF YOU SMELL GAS

- Do not try to light any appliance.
- Do not touch any electrical switch; do not use any phone in your building.
- Immediately call your gas supplier from a neighbor's phone. Follow the gas supplier's instructions.
- If you cannot reach your gas supplier, call the fire department.

Installation and service must be performed by a qualified installer, service agency or the gas supplier.



#### MANUFACTURED BY

**Blaze King Industries**  
146 A Street  
Walla Walla WA  
99362  
Ph# 1-509-522-2730  
FX# 1-509-522-9803

**Valley Comfort Systems Inc.**  
1290 Commercial Way  
Penticton, BC  
V2A 3H5  
Ph# 1-250-493-7444  
FX# 1-250-493-5833



Dear Customer:

Thank you for purchasing this Blaze King gas appliance. It is our goal to have every purchaser of a Blaze King stove be a satisfied customer. This owner's manual explains the steps required to safely assemble, install, operate, and maintain your new appliance.

Be a responsible appliance owner. Carefully read these requirements for safe installation and proper operation BEFORE installing and using your appliance. Check local building and Fire Codes before installing your appliance. If local laws require them, obtain permits from the Building Inspector or Fire Department. When you have completed the installation, have it checked by your local inspector. Disregarding inspection and code requirements may jeopardize your safety and/or homeowner's insurance. Since some insurance carriers require notification of an appliance installation we recommend you contact your insurance agent . We want your Blaze King to give you a lifetime of trouble-free operation.

We have made every effort to make these installation and operating instructions as complete as possible. If you have any questions that have not been answered here, contact your BLAZE KING dealer, Local Building Inspector, or Fire Department.

The management and Employees of BLAZE KING

**Mail your warranty card TODAY, and  
SAVE your BILL OF SALE.**

In order to receive full warranty coverage and to expedite service, BKI recommends that you save your bill of sale and attach it to this page

By doing this you will have all the necessary information in the event the your stove may need service

Your Blaze King Stove has its own personal serial number, no two stoves are alike. The serial number is located on the stove label attached to a plate hanging on a hook on the left side of the fire box

**KEEP THIS MANUAL FOR FUTURE REFERENCE**

# TABLE OF CONTENTS

SPECIFICATIONS MODEL 9703 .....	4
SAFETY NOTICE .....	5
WARRANTY .....	6
WHITE MINERAL DEPOSITS.....	7
COPY OF APPROVAL LABEL.....	8
ELECTRICAL GROUNDING INSTRUCTIONS.....	9
CAUTION .....	9
PLANNING YOUR STOVE PLACEMENT .....	10
Z 9723 INSERT KIT.....	11
AIR SHUTTER ADJUSTMENT .....	15
OAK LOG INSTALLATION AND POSITIONING .....	15
GAS CONNECTIONS .....	16
CLEARANCE DIAGRAM .....	16
FLUE VENTING.....	17
ORIFICE SIZING TABLE.....	17
BURNER CONVERSION INSTRUCTIONS .....	18
PILOT CONVERSION .....	19
WIRING DIAGRAMS .....	20
LIGHTING PREPARATION.....	20
LIGHTING INSTRUCTIONS.....	21
PARTS LIST .....	22

## SPECIFICATIONS - 9703

Gas Appliance Rating	Natural Gas		L P Gas	
	Freestanding / Insert		Freestanding / Insert	
Input Rating (BTU/hr) 0-610m (0-2000 ft.) ALT Orifice Size (DMS) 610m	44,000 #48 (Front) & #33 (Back)		42,000 #62 (Front) & #52 (Back)	
Input Rating (Btu/hr) 610-1370 m (2000-4500 ft) ALT Orifice Size (DMS) 1370m	41,000 #49 (Front) & #33 (Back)		39,000 #63 (Front) & #52 (Back)	
Unit Factory Equipped For 0-610m (0-2000 ft.)				
Minimum Input (BTU/hr)	25,000		20,500	
Manifold Pressure (in w.c./kPa)	3.5 / 0.87		11.0 / 2.74	
Manifold Pressure Lo-Setting (in w.c./kPa)	1.3 / 0.42		2.7 / 0.67	
Minimum Inlet Pressure (in w.c./kPa)	4.5 / 1.12		12.2 / 3.04	
Maximum Inlet Pressure (in w.c. / kPa)	10.5 / 2.62		13.0 / 3.24	
Shipping Weights & Dimensions	Freestanding	Fire Box Only	Shroud	
Width	31.5"	28.5"	48"	
Height	36"	24"	30"	
Depth	24"	22.5"	3"	
Weight	237 lbs.	170 lbs.	54 lbs.	

**Insert Units can only be installed in a masonry fireplace or  
a listed wood burning "0" clearance fireplace.**

## SAFETY NOTICE

**IF THIS APPLIANCE IS NOT PROPERLY INSTALLED, A HOUSE FIRE, OR EXPLOSION MAY RESULT. FOR YOUR SAFETY, FOLLOW THE INSTALLATION DIRECTIONS. CONTACT LOCAL BUILDING OR FIRE OFFICIALS ABOUT RESTRICTIONS AND INSTALLATION REQUIREMENTS IN YOUR AREA. PLEASE READ THIS ENTIRE MANUAL BEFORE YOU INSTALL AND USE YOUR NEW APPLIANCE. FAILURE TO FOLLOW INSTRUCTIONS MAY RESULT IN PROPERTY DAMAGE, BODILY INJURY or**

### CAUTIONS

**NEVER** vent the appliance to other rooms or buildings. The appliance must be vented to the outside **ONLY**.

**NEVER** burn the appliance with the viewing door open.

#### **FIRE EXTINGUISHER:**

Every home should have at least one approved Class A-B-C fire extinguisher. This extinguisher should be mounted on the wall near an exit, and close to the appliance, but not so close that accessibility to the extinguisher could be blocked by a fire. Your local Fire Department can advise you concerning the most appropriate location.

#### **BUILDING AND FIRE CODES, PERMITS AND INSPECTIONS:**

The installation of this gas appliance must comply with your local building and fire codes. Always contact your local Building Inspector and/or Fire Department before beginning the installation process. If required, obtain a permit before installation and have the completed installation inspected. Remember that not complying with building and/or fire codes may jeopardize your homeowner's insurance.

#### **CHILDREN:**

Do NOT allow children to play near the appliance or with the controls. Severe burns may be result when touching the door or glass, the front, sides or top of the appliance. Train children to stay away from the appliance, and never leave children unattended in the room when the appliance is in operation.

#### **SMOKE DETECTORS and CARBON MONOXIDE DETECTORS (CO-DETECTORS):**

Install at least one smoke detector on each floor of your home to ensure your safety. It should be located away from the gas appliance and close to the sleeping areas. Follow the smoke detector manufacturers placement installation and maintenance instructions. Your local Fire Department may provide assistance in selecting smoke detectors and CO-detectors. For your families protection, it is strongly recommended that a CO-detector be placed in all homes that utilize gas in any form.

**THE APPLIANCE AREA MUST BE KEPT CLEAR FROM COMBUSTIBLE MATERIALS, GASOLINE AND OTHER FLAMMABLE VAPORS OR LIQUIDS.**

# BLAZE KING LIMITED LIFETIME WARRANTY

Gas stoves manufactured by Blaze King Industries and/or Valley Comfort Systems Inc. are covered by a limited lifetime warranty against manufacturers defects in material and workmanship. Details of this comprehensive warranty program are outlined below. In addition to the terms outlined for the limited lifetime warranty, our products carry a 5 year warranty which covers mechanical and electrical components including labor costs outlined below. The combination of these warranty policies provide a very strong coverage package that we are proud to offer you, our customers. Our Blaze King tradition of building high quality products for over 25 years is really your most important assurance of quality but it's nice to know that should something fail (and it occasionally does) you are covered by a warranty policy that leads the industry. To ensure the coverage is in place you must have your unit properly installed by an authorized Blaze King dealer and you must register your ownership. **Blaze King's warranty policy applies only to units sold, installed and/or for use in the USA or Canada. No person is authorized to modify this warranty or make any additional warranties on behalf of the manufacturer, Blaze King.**

## **Components and parts 5 year warranty:**

Blaze King warrants the following parts; blower motors, door gasket, blower speed control, logs, pilot assembly, gas valve, gas lines, thermocouple and/or thermopile against defects in material or workmanship to the original purchaser, for five years following the date of purchase.

## **Labor costs during the 5 year warranty period:**

Blaze King manufacturers warranty covers labor costs to the original purchaser based on our schedule of approved charges, provided to our authorized dealers. Blaze King will only be responsible for labor costs provided by our authorized dealers and based upon the schedule.

## **Limited Lifetime Coverage**

This warranty contains different terms that cover specific parts of the gas appliance. Blaze King warrants the following parts of the gas appliance against defects in material or workmanship to the original retail purchaser. For the first five years of ownership, the combustion chamber, heat exchanger and burners will be replaced by Blaze King, conditional upon production availability. From year 6 through to the end of ownership by the original purchaser, Blaze King will provide replacement or repair of the aforementioned parts, conditional upon current production availability, at 50% of current retail price but does not cover any charges relating to labor. This portion of the warranty coverage is not transferable and applies only to the original purchaser.

## **How to Get Service**

If this product requires repair or replacement due to defects in material or craftsmanship during the first five years of ownership, contact your Blaze King dealer and explain the nature of the problem. If the dealer is unable to repair or replace the product to your satisfaction then contact Blaze King at 509-522-2730 in the USA or 250-493-7444 in Canada. If a replacement part is sent directly to you, please contact Blaze King to obtain a **Return Authorization Number (RA#)** for all defective parts. Blaze King will refuse delivery of any returned packages not clearly showing an (RA#). All expenses relating to the shipping of defective parts or entire stoves will be at purchaser's expense.

## **Blaze Kings Responsibilities:**

If the purchaser has complied with all the terms and conditions of this warranty and if the purchaser has notified Blaze King of the defect prior to the expiration of any warranted items, the following procedure will occur. Blaze King will inspect the product to determine that there is indeed a defect and that the defect is covered by warranty. Blaze King will either repair or replace the product at its' discretion. Under no condition whatsoever does Blaze King provide or imply warranty coverage for venting components used in the installation of our products. This warranty details the obligations and liabilities of Blaze King and no other warranties are expressed or implied. Blaze King reserves the right to investigate and settle all claims against warranted parts at their discretion. In no event shall Blaze King be held responsible for indirect or consequential damages of any nature which are in excess of the original purchase price of the product. Blaze King may at its' discretion discharge any or all obligations by refunding the wholesale price of any defective part or parts.

## **Misuse of Stove Nullifies Warranty:**

The above warranty is conditioned upon the proper installation and use of the product according to the manufacturers instructions as specified in the "**Owners Installation & Operations Instructions**" and in compliance with applicable local building and fire codes. Blaze King recommends the local building inspector or fire department inspect the unit prior to initial use. Consult the "Owners Installation & Operations Instructions" supplied with each unit prior to installation or operation. Alteration, abuse, lack of maintenance, faulty repairs or misuse will void the warranty. Abuse includes but is not limited to the use of fuels other than as specified in the "Owners Installation & Operations Instructions."

# BLAZE KING LIMITED LIFETIME WARRANTY

## Legal Rights of Purchaser:

This warranty gives you specific legal rights and you may have other rights that vary from state to state (or province to province).

## Blaze King Assurance Plan:

Included with each gas stove manufactured by Blaze King is a Warranty Card, which must be completed in its entirety and returned to Blaze King within ten days from the date of purchase. Blaze King will be unable to properly administer the warranty if the card is not completed and registered on file.

The Protection Plan will pay to repair and or replace parts which fail under normal usage at labor rates established by this Agreement. Extra charges such as mileage, overtime or shipping are not covered. Nuisance calls are not covered by the Plan. This Plan is for residential stoves and does not apply to commercial applications. Only repairs attributed to normal failure of the electronic and mechanical functions of the stove are covered. Failure due but not limited to, abuse, negligence, impact, fire, lightning, power failures and or surges, rust and corrosion are not covered. Damage and or repairs to cabinets and all exterior components, remote controls, and normal maintenance, related duct work, power surges, electrical spikes or electrical circuit overloads, filters, knobs, glass, gaskets, block and tile etc., are not covered. Additional or unusual utility bills incurred due to any malfunction or defect in equipment listed on the Plan, labor cost of gaining access to or removal of a unit that requires special equipment or tools such as cranes, ladder trucks, etc., are not covered. These include but are not limited to, cleaning, adjustments of the customer controls and customer product education. Labor, materials, expenses or equipment required to comply with the law and or regulations set forth by any governmental agencies are not covered by this Plan.

## WHITE MINERAL DEPOSITS

One of the byproducts of the combustion process in a gas appliance is a mineral which can show up as a white film on the ceramic glass of the viewing door. The composition of the deposit varies widely from location to location and also from time to time in the same locations. You may have the problem for a time and then not see it for many months when it will reappear in your area. It seems this is associated with the varying sulfur content of the gas. We have discussed this problem with ceramic glass manufacturers and they cannot give us a definitive answer to this problem. We have input from several dealers who have tried different cleaning products with varying results. We can only make the following recommendations but we cannot guarantee results in every case.

### **WARNING!!**

**Never clean the ceramic glass or any other part of the appliance while it is still hot. Please shut off your appliance and wait for it to cool down prior to cleaning.**

- 1) Clean the glass regularly as soon as you notice the buildup (white film). If the film is left for a long period of time it will build up and bake on making it hard or almost impossible to remove
- 2) **NEVER** use an abrasive cleaner on the ceramic glass. Any abrasion of the surface will immediately affect the strength of the glass. An emulsion type cleaner is best.
- 3) Use a soft, damp, preferably cotton, cloth to apply the cleaner and a soft, dry cloth to dry the glass. Most paper towels and synthetic materials are abrasive to ceramic glass and should be avoided.

**WHITE OFF by Rutland has been tested and shown to be effective in removing ugly mineral deposits from ceramic glass.**

**NOTE: This is a problem beyond BLAZE KING'S control and is not covered under warranty.**

## DOOR SEAL GASKET

The front door of your new Blaze King direct vent is gasketed and has been adjusted for a tight seal. As with all direct vent appliances, a tight seal is necessary for maximum performance and proper venting of combustion products. With use the door gasket material may compress and the door may require periodic adjustments to maintain a proper seal. The time to make these adjustments will vary depending upon individual hours of use, btu settings, and frequency of opening and closing the door. Check the door on your appliance periodically, especially during the first 90 days of operation, to ensure it is sealing properly. Your Blaze King dealer/installer should be contacted to properly adjust the door if required.

# APPROVAL LABEL



## Blaze King 9703

Vented Gas Fireplace Heater  
 Not For Use With Solid Fuel  
 Not for installation in a Mobile Home

WH-

This stove is factory equipped for 0-

Natural Gas • Propane Gas •

Tested to ANSI Z21.88b-2003•CSA 2.33B-2003 “Vented Gas  
 Fireplace Heaters” and CAN/CGA 2.17 –M91”Gas-Fired Appliances for use at High Altitudes”

	NATURAL GAS	LP GAS
Input rating (BTU/hr) 0-610m 0-2,000 ft	44,000	42,000
Orifice (DMS) 0-610 m	48 Front 33 Back	62 Front 52 Back
Input rating (BTU/hr) 610-1370m 2,000 -4,500 ft Alt.	41,000	39,000
Orifice (DMS)610-1370 m	49 Front 33 Back	63 Front 52 back
Minimum input (Btu/hr)	25,000	20,500
Manifold Pressure (In w.c.)	3.5	11.0
Manifold Pressure Lo setting(In w.c.)	1.3	2.7
Minimum Inlet Pressure (In w.c.)	5.0	12.3

This appliance must be installed in accordance with the manufacture’s instructions. This appliance must be installed in accordance with local codes if any; if not follow the current ANSI Z223.1 or CAN/CGA-B149.1. This vented gas fireplace is not for use with air filters. For use with glass doors certified with the appliance only.

**FOR USE WITH GLASS DOORS CERTIFIED WITH THE APPLIANCE ONLY**

**NOT FOR USE WITH SOLID FUEL.**

### MINIMUM CLEARANCES FROM COMBUSTIBLE CONSTRUCTION

Unit to Sidewall	10 in.
Unit to Backwall	6 in. (to flue collar)
Unit to Adjacent Wall Corner	2 in.
Alcove: Minimum	50 in.
Minimum Height	60 in.
Maximum Depth	30 in.
Minimum Mantel Height	27" Above the top of unit

15" Floor protection required if unit is not on a 6" elevated Hearth (insert only)

For more details, see Instruction Manual

Electrical Rating: 115 Volts, 1 Amp, 60 Hz

**DANGER: Risk of electrical shock. Disconnect power before servicing unit.**

Do not route power cord beneath heater.

**Manufactured By:**

Blaze King Industries  
 146A Street  
 Walla Walla, WA  
 99362  
 Ph# 1-509-522-2730

Valley Comfort Systems Inc.  
 1290 Commercial Way  
 Penticton, BC V2A 3H5  
 Ph# 1-250-493-7444

**Manufactured Date:**

- |        |        |        |         |
|--------|--------|--------|---------|
| • 2005 | • 2006 | • 2007 | • 2008  |
| • JAN  | • FEB  | • MAR  | • APRIL |
| • MAY  | • JUNE | • JULY | • AUG   |
| • SEPT | • OCT  | • NOV  | • DEC   |

0754H Rev Re: Mar 8 letter



# ELECTRICAL GROUNDING INSTRUCTIONS

## ELECTRICAL GROUNDING INSTRUCTIONS

**WARNING:** The appliance, when installed, must be electrically grounded in accordance with local codes or in the absence of local codes with the current edition of National Electrical Code ANSI/NFPA 70, or the current Canadian Electrical Code CSA.C22.1

This appliance is equipped with a three prong (grounding) plug for your protection against shock hazard and should be plugged directly into a properly grounded three prong receptacle.

**DO NOT** cut or remove the ground prong from this plug.

## CAUTION

**WARNING: DO NOT OPERATE APPLIANCE WITH THE GLASS DOOR REMOVED, OPENED, CRACKED, OR BROKEN. REPLACEMENT OF GLASS SHOULD BE DONE BY A LICENSED OR QUALIFIED SERVICE PERSON AS AUTHORIZED BY BLAZE KING. DO NOT USE SUBSTITUTE MATERIALS. DO NOT ABUSE GLASS BY STRIKING OR SLAMMING DOOR SHUT. DO NOT USE ABRASIVE CLEANERS OR CLEAN WHILE HOT. FOR INSTRUCTIONS ON REPLACING THE GLASS IN YOUR APPLIANCE PLEASE SEE THE INSTRUCTIONS ON PAGE 22 OF THIS MANUAL.**

## WARNING

**IMPROPER ASSEMBLY AND/OR INSTALLATION OF YOUR BLAZE KING GAS APPLIANCE OR FAILURE TO OPERATE IT ACCORDING TO THE GUIDELINES DETAILED IN THESE INSTRUCTIONS WILL VOID THE APPLIANCE WARRANTY, CAN CAUSE A HOUSE FIRE, AND MAY ENDANGER YOUR FAMILY. FOR YOUR SAFETY, FOLLOW THE ASSEMBLY AND INSTALLATION INSTRUCTIONS CAREFULLY. CONTACT LOCAL BUILDING OR FIRE OFFICIALS ABOUT RESTRICTIONS AND INSTALLATION INSPECTIONS IN YOUR AREA. PLEASE READ THIS ENTIRE MANUAL BEFORE YOU INSTALL AND USE YOUR NEW APPLIANCE.**

- This appliance installation must conform with local codes and with the current edition of National Fuel Gas code ANSI Z223.1 or CAN 1-B149.1
- The appliance and its individual shut off valve must be disconnected from the gas supply piping system during any pressure testing of that system at test pressures in excess of 1/2 psi (3.5 kPa)
- The appliance must be isolated from the gas supply piping system by closing its individual manual shut off valve during any pressure testing of the gas supply piping system at test pressures equal to or less than 1/2 psi (3.5 kPa). The appliance installer must provide a 1/2 inch N.P.T. plugged tapping accessibility for test gage connection immediately upstream of the gas supply connection to the appliance.
- Should overheating occur or the gas supply fail to shut off, shut off the manual gas valve to the appliance before shutting off the electrical supply.
- Due to high temperatures, the appliance should be located out of traffic and away from furniture and draperies.
- Children and adults should be alerted to the hazards of high surface temperatures and should stay away to avoid burns or clothing ignition.
- Young children should be carefully supervised when they are in the same room as the appliance.
- Clothing or other flammable material should not be placed on or near the appliance.
- Any safety screen or guard removed for servicing a room heater must be replaced prior to operating the appliance.
- Installation and repair should be done by a qualified service person.

## CAUTION

- The appliance and venting should be inspected before use and annually afterwards by a qualified service person.
- More frequent cleaning may be required due to excessive lint from carpeting, bedding materials, etc.
- It is imperative that control compartments, burners, and circulating air passageways of the appliance are kept clean.
- When cleaning the stove, make sure the appliance is off and cold. Remove the logs and embers and use a vacuum to clean the burner and air openings in the bottom and at the back of the appliance. Replace the logs and embers.
- The draft hood must be in the same atmospheric pressure zone as the combustion air inlet. The flow of combustion and ventilation air must not be obstructed.
- Do not use this heater if any part has been under water. Immediately call a qualified service technician to inspect the heater and to replace any part of the control system and any gas control which has been under water.

## PLANNING YOUR STOVE PLACEMENT

- **INSERT:** If the hearth rises less than 6 inches above floor then R 1.1 protection or better is required at least 15 inches in front of, and spanning the width of the unit. This appliance is equipped with a safety control system designed to protect against improper venting of combustion products.
- **FREE STANDING:** This appliance may be installed directly on carpeting, tile or other combustible materials.
- This gas appliance must not be connected to a chimney flue serving a separate solid fuel burning appliance.
- Periodic examination of the venting systems is required.
- Before using propane, please see local codes when installing in a basement.
- **USE ONLY THE GLASS DOOR CERTIFIED WITH THIS APPLIANCE**

As you plan your installation, consider the following:

The stove should be placed as centrally in the home as possible. Consider safety, convenience, traffic flow, and the fact that the stove will need a venting system.

**DUE TO HIGH TEMPERATURES, THE ROOM HEATER SHOULD BE LOCATED OUT OF TRAFFIC AREAS AND AWAY FROM FURNITURE OR DRAPERIES. MINIMUM CLEARANCES SHOWN ON PAGE 16 ARE TO PREVENT WALLS AND CEILINGS FROM CATCHING ON FIRE.**

See page 17 for the type of vent system to be used for both Freestanding Kit and Insert Kit. Power needed is 115-60 HZ. The stove is equipped with a fan assembly having a six foot electrical cord. Do not route the cord in front of the stove. Position the stove in its final location. A floor protector may be used for aesthetics but is not required. The freestanding 9703 units may be installed directly onto carpet, vinyl, or any other flooring.

## WARNING

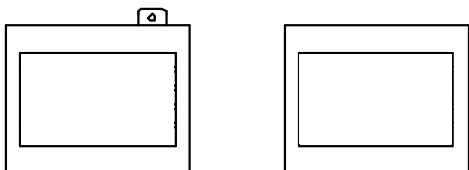
**ONLY PERSONS LICENSED TO WORK WITH GAS PIPING MAY MAKE THE NECESSARY GAS CONNECTION TO THIS APPLIANCE. YOU ARE NOW READY TO HOOK UP THE GAS SUPPLY. BE SURE GAS PLUMBING INSTRUCTIONS AND ALL PROVINCIAL AND LOCAL CODES ARE CAREFULLY FOLLOWED. USE APPROVED FLEXIBLE GAS CONNECTIONS OR RIGID PIPING DEPENDING ON STATE, PROVINCIAL AND LOCAL CODES TO ATTACH BURNER TO GAS SUPPLY. BE SURE TO USE PROPER SIZE GAS SUPPLY LINE. CAREFULLY CHECK ALL CONNECTIONS WITH SOAP AND WATER SOLUTION FOR GAS LEAKS .**

The installation must conform with local codes or, in the absence of local codes, with the *National Fuel Gas Code, ANSI A223.1/NFPA 54*, or the *Natural Gas and Propane Installation Code, CSA B149.1*.

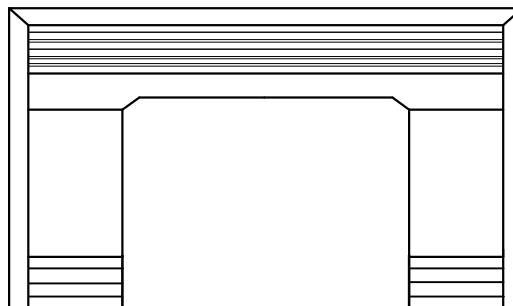
A manufactured home (USA only) or mobile home OEM installation must conform with the *Manufactured Home Construction and Safety Standard, Title 24 CFR, Part 3280*, or, when such a standard is not applicable, the *Standard for Manufactured Home Installations, ANSI/NCSCS A225.1*, or *Standard for Gas Equipped Recreational Vehicles and Mobile Housing, CSA Z240.4*.

# Z9723 - 9703 PEGASUS INSERT KIT CONTENTS

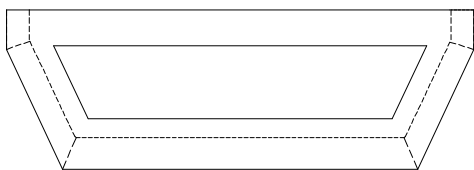
LOWER LEFT AND RIGHT SHROUD - FIG. 26



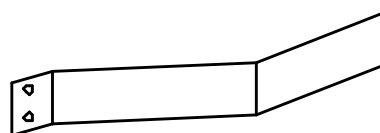
MAIN SHROUD - FIG. 27



OUTER TOP - FIG. 28

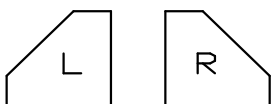


WIRE SUPPORT BRACKET - FIG. 29



FASTENERS - FIG. 30

LEFT AND RIGHT UPPER SHROUD BRACKET



#2 SQUARE DRIVE SCREW X21



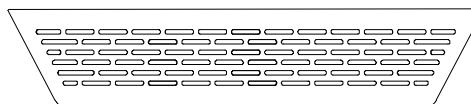
TIE WRAP X6



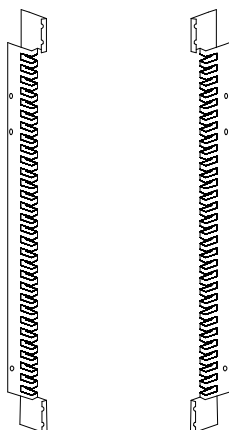
STRAIN RELIEF



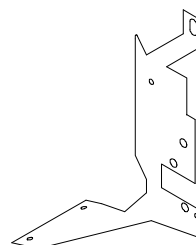
TOP TRIM



COVER PLATES

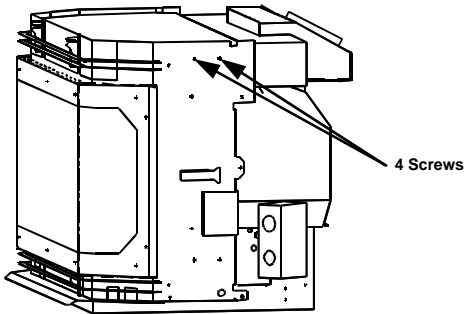


VALVE BRACKET

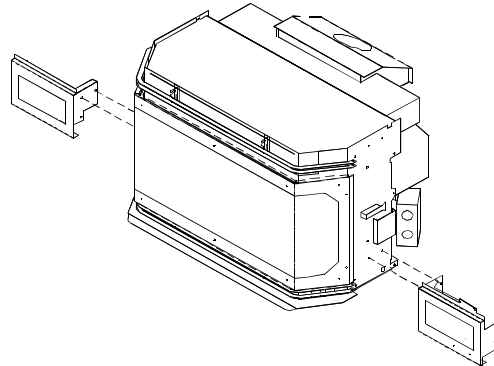


# Z9723 - 9703 PEGASUS INSERT KIT ASSEMBLY

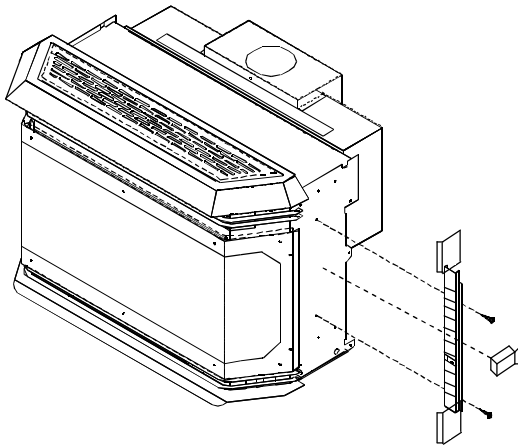
SCREW AND HOLE IDENTIFICATION - FIG. 32



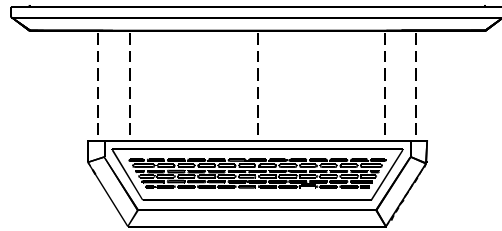
ATTACH LOWER LEFT AND RIGHT SHROUDS  
FIG. 33



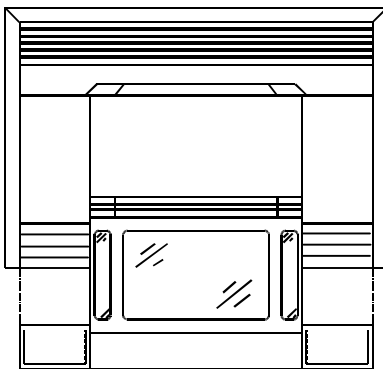
ATTACH LEFT AND RIGHT COVER PLATES- FIG.  
34



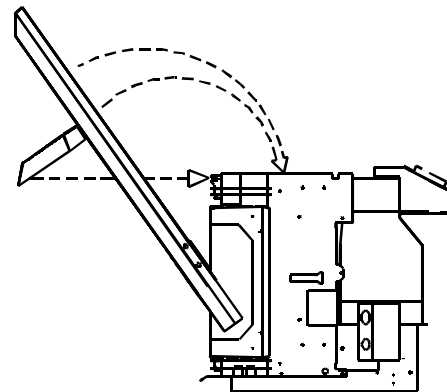
ATTACH OUTER TOP TO MAIN SHROUD - FIG. 35



POSITION MAIN SHROUD - FIG. 36



INSTALL MAIN SHROUD ASSEMBLY - FIG. 37



**“WARNING: Failure to position the parts in accordance with these diagrams or failure to use only parts specifically approved with this appliance may result in property damage or personal injury.”**

# Z9723 - 9703 PEGASUS INSERT KIT ASSEMBLY INSTRUCTIONS

DESCRIPTION	PART NUMBER	CONTENTS	QUANTITY
MAIN SHROUD		9781	1
LEFT LOWER SHROUD		R8185	1
RIGHT LOWER SHROUD		R8184	1
LEFT UPPER SHROUD BRACKET		R8186L	1
RIGHT UPPER SHROUD BRACKET		R8186R	1
VALVE BRACKET		R8144A	1
WIRE SUPPORT BRACKET		R8115A	2
TIE WRAP		0810	6
LEVELING BOLTS 3/8"		0833B	2
LOCK NUTS		0046	2
#2 X 1/2" SQ. DR. SCREWS		0235A	20
WIRE CLAMP		0877	1
STRAIN RELIEF		0371	1
TOP TRIM		Z9746G	1

## PREPARATION FOR INSTALLATION IN A SOLID-FUEL BURNING FIREPLACE

The installer must mechanically attach the marking label #0163 supplied with the gas fireplace insert to the inside of the firebox of the fireplace into which the gas fireplace insert is installed.

Cutting any sheet-metal parts of the fireplace, in which the gas fireplace insert is to be installed, is prohibited.

"If the factory-built fireplace has no gas access hole(s) provided, an access hole of 1.5 inch (37.5 mm) or less may be drilled through the lower sides or bottom of the firebox in a proper workmanship like manner. This access hole must be plugged with on-combustible insulation after the gas supply line has been installed."

The fireplace flue damper can be fully blocked open or removed for installation of the gas fireplace insert.

The fireplace and fireplace chimney must be clean and in good working order and constructed of non-combustible materials.

Chimney cleanouts must fit properly.

Glass doors, screen rails, screen mesh and log grates can be removed from the fireplace before installing the gas fireplace insert.

Smoke shelves, shields and baffles may be removed if attached by mechanical fasteners.

Trim panels or surrounds shall not seal ventilation openings in the fireplace.

1. Remove fire box from carton. Place on floor.
2. Remove and examine contents of Insert Kit. If any parts appear to be missing **STOP** and notify your Blaze King Dealer.
3. Note 6 screws on each side of the fire box.(Fig. 32, p.12) Remove screws.
4. Attach both lower left and right shroud assemblies by lining up the bottom two screw holes on each side of the fire box with the corresponding holes in the shroud assemblies. Secure with the screws previously removed. ( Fig. 33, p. 12)
5. Attach left and right upper shroud brackets where the top two screw holes on each side are. When the bracket is attached there should be a single screw hole facing forward towards the front of the stove. Brackets have a 3/4" bend on 2 sides that point down.
6. Position the Right Cover Plate on the right side of the stove, lining up the two screw holes on the firebox with the holes in the cover plate. Secure the Cover Plate under the door latch rod with the two screws previously removed. (See Fig. 34, page 12) Note: The door latch rod will need to pass through the rectangular cut out of the Right Cover Plate. Repeat with left side.
7. Locate and remove the 3 - #2 Sq. Dr. screws that secure the valve bracket to the fan housing.
8. Remove the 3 machine screws securing the valve to the bracket. Set screws aside and discard bracket.
9. Place the Insert Valve Bracket (part# 8144B) against the same side of the valve where the original bracket was secured. (The small support leg of the insert valve bracket should be pointing away from the valve and towards the firebox.
10. Line up the three holes on the valve side with the holes in the bracket and secure with the three machine screws previously removed.
11. Locate two oblong screw holes on top of the right lower shroud. The insert valve bracket will mount under here.
12. Position the valve bracket just behind the right lower shroud. The small support leg on the bracket should be facing up and towards the fire box. Line up the two holes in the triangular bottom of the valve bracket, underneath the two oblong holes of the shroud. Secure with two screws.
13. The small support leg should now be lined up with the hole in a tab coming off of the fire box. Secure support leg to fire box with screw provided in kit.
14. Locate two holes on the top right edge of the right lower shroud. This is where the burner switch/piezzo push button assembly will mount.

# Z9723 - 9703 PEGASUS INSERT KIT ASSEMBLY INSTRUCTIONS

15. Locate the burner switch/piezzo button assembly secured adjacent to the valve. Cut the tie wrap and move the assembly over to the right shroud and line up the two hole two holes on the switch bracket with the holes on the top lip of the right shroud. Secure with two screws
16. At this point in time it is necessary to determine which side of the shroud the fan cord will come out of. Two wire support brackets are included in the insert kit. These attach to the left and right side of the fan box with two screws. If the cord is to be routed out of the left side, it is necessary to install only one support bracket. If fan cord is to be routed out the right side then both support brackets must be installed. (Fig. 32,34, p. 12)
17. Install bracket(s) and secure with two screws.
18. Locate the two screw holes on the back of the fan box. One is on the lower left and one is on the lower right. Secure cord with the plastic cable clamp provided on the appropriate side.
19. Connect the fan and snap disc wires to the rheostat located on the left side of stove. Install rheostat knob.
20. Secure the wires to the wire support bracket using a tie wrap routed through each hole in the bracket.

**NOTE: IF FAN CORD IS ROUTED ON THE LEFT SIDE, SECURE FAN CORD ALONG WITH RHEOSTAT AND SNAP DISC WIRES. IF ROUTED OUT THE RIGHT SIDE, SECURE TO WIRE SUPPORT BRACKET ON THE RIGHT SIDE.**

21. You may position the unit in your existing masonry or listed zero clearance fire place at this time. If your hearth is lower than the bottom of the fire place you must install the leveling bolts provided in the insert kit. Spin a lock nut onto each bolt. Locate a threaded hole underneath the front bottom portion of the fire box; one on the left, one on the right. Insert each bolt and adjust as needed. Be sure to tighten the lock nut against the bottom of the fire box.

NOTE: If the bolts included in the kit are not long enough, you can obtain the appropriate length at your local hardware store. You can also purchase a Hearth Ext. Kit from your Dealer

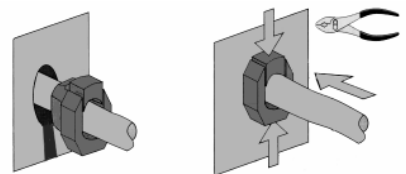
**WARNING! INSERT IS FRONT HEAVY- USE CAUTION WHEN INSTALLING . TWO PEOPLE ARE RECOMMENDED TO PERFORM THIS TASK**

22. Connect the 1/2" flex gas supply line to the valve.

**NOTE: The 9703 fire box comes with a wall Thermostat. The leads should be hooked up to the terminals on the valve labeled "TH TP" and "TH". (See p. 20) Use 18 gauge or better wire.**

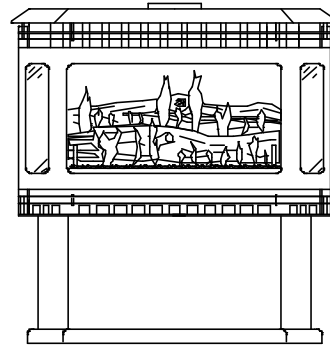
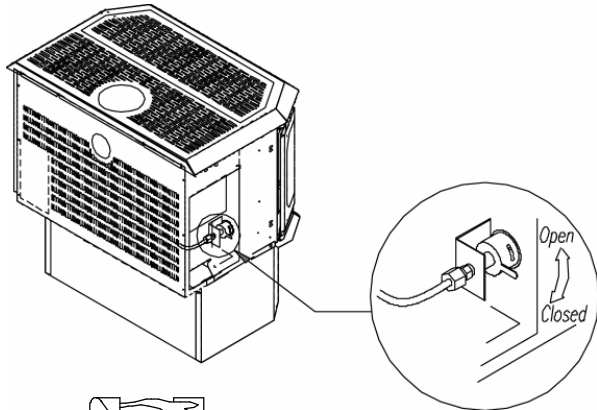
23. Connect either single wall or flex pipe to the flue collar. \*Slide pipe inside flue collar. Fasten with 3 screws through the 3 holes punched in the flue collar.
24. Secure outer top to the main shroud with five screws. Position the back of top against the main shroud and line up the corresponding holes. The screws will pass through the back of the shroud then into the top. (Fig. 35, p. 12)
25. Locate the two brackets that hold the decor above the viewing door. Note that there is an empty slot on each bracket. This is where the bottom lip on the front of the outer top will engage.
26. Position the main shroud in front of the stove at a 45 deg. angle (top towards you). Engage the bottom "legs" of the shroud around the outside of the lower left and right shrouds. (Fig. 36, p. 12)
27. Tilt the main shroud upward and engage the bottom inside lip of the outer top into the empty slots on the decor brackets. Square up the main shroud to the fire box. (Fig. 37, p. 12)
28. Open the left shroud door. Note the holes now lined up to the right of the magnetic catch. Secure the main shroud to the upper shroud bracket with one screw. Repeat with the right side.
29. Locate two access holes above the fan cord exits on both left and right sides of the main shroud. Pass a screw through the access hole, through the second hole in the main shroud, and tighten to the lower shroud. Repeat with second screw.
30. Repeat with opposite side.
31. Take the fan cord and push it up into the exit hole on the side of the shroud. Wrap the strain relief around the cord, compress the top and bottom with a pair of pliers,(see illustration to the right) and push into the hole. Push insert flush against fire place.

\*

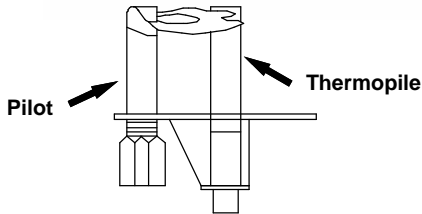


## AIR SHUTTER ADJUSTMENT

THERE ARE TWO AIR SHUTTERS THAT REQUIRE ADJUSTMENT. THE SECOND AIR SHUTTER IS OPPOSITE OF THE ONE ILLUSTRATED BELOW. THE SHUTTER SHOULD BE 1/2 WAY OPENED FOR NATURAL GAS AND FULLY OPENED FOR LIQUID PROPANE. THESE SHUTTER SETTINGS ARE APPROXIMATE, THEREFORE THE UNIT SHOULD BE ALLOWED TO BURN FOR ABOUT 10 MINUTES TO SEE IF ANY FURTHER ADJUSTMENTS ARE TO BE MADE. IF SOOTING APPEARS ON THE LOGS OR GLASS THE AIR SHUTTERS NEED TO BE OPENED UNTIL THE SOOTING HAS STOPPED.



**Proper Flame Pattern**

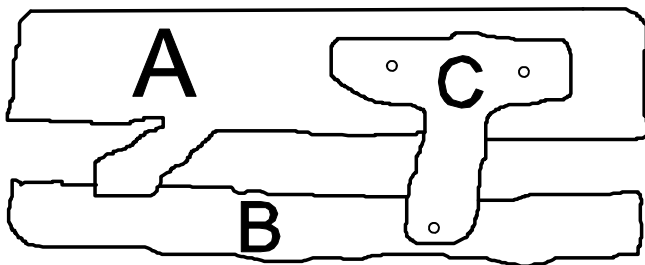


The pilot flame must envelope approximately 1/2 of the Millivolt Generator. It must burn clean. All parts must be lit. If there are any problems, contact your serviceman. Periodic checking of the flame pattern is necessary. The flame should look approximately like the picture. The base of the flame must not rise above the burner plate.

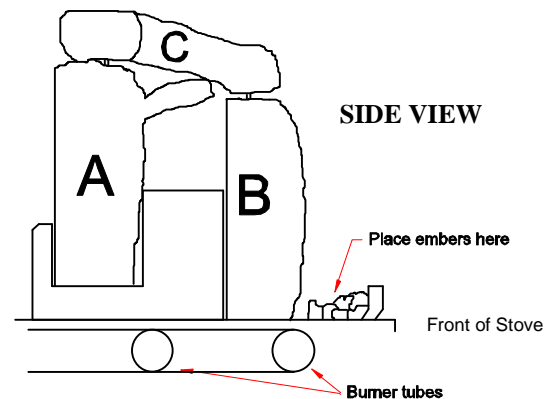
## OAK LOG INSTALLATION

- A- REAR LOG:** This larger log should be placed in the back of the stove close to the far back wall. The flat side should rest flush against the flat part of the back bracket with the rough textured side of the log pointing towards you.
- B- FRONT LOG:** This smaller log fits in the right and left side brackets closest to you. The flat portion should be placed flush against the back of the bracket. After setting this log in the brackets, the rough textured side of the log should be pointing outward, facing you.
- C- RIGHT TWIG:** This T shaped log sits on the right side of the front and back logs (A and B). This log (C) should be placed on the pins (two on log A and one on log B)

**WARNING: DANGEROUS OPERATING CONDITIONS MAY OCCUR IF THESE LOGS ARE NOT POSITIONED IN THEIR PROPER LOCATIONS. FOLLOW THESE LOG INSTALLATION INSTRUCTIONS CAREFULLY.**



**TOP VIEW**



**SIDE VIEW**

**EMBER PLACEMENT:** Place embers directly on the front burner tube, leaving a 1/4" gap between the front log and the embers.

# GAS CONNECTION

The gas line may be installed at this time. Make sure to follow all provincial and local codes. Blaze King recommends that gas connections be made by a Licensed and qualified installer. The appliance can be connected to the supply line with either rigid or approved flexible gas connection. Check with provincial and local codes.

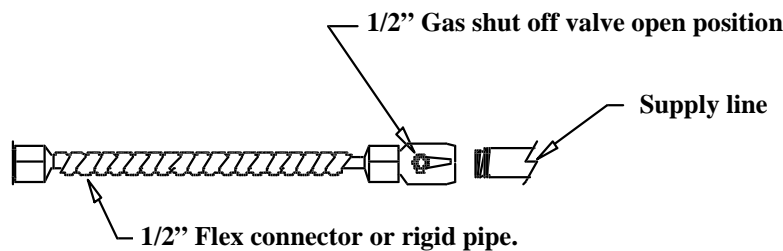
**PIPING DETAIL:**

**NOTE:** DO NOT DAMAGE OR KINK THE FLEX CONNECTOR. CHECK FOR GAS LEAKS WITH SOAP AND WATER SOLUTION.

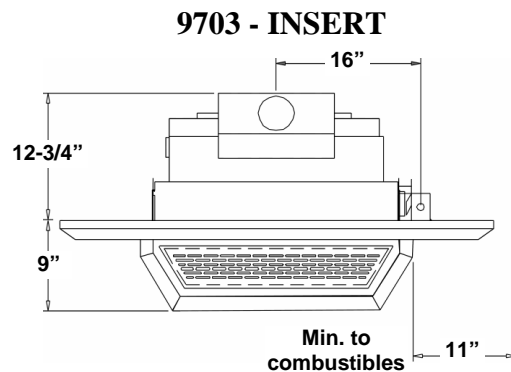
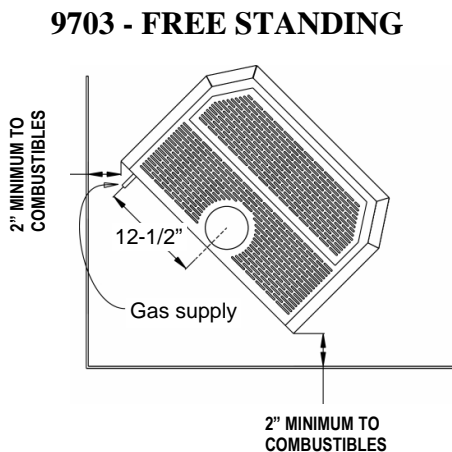
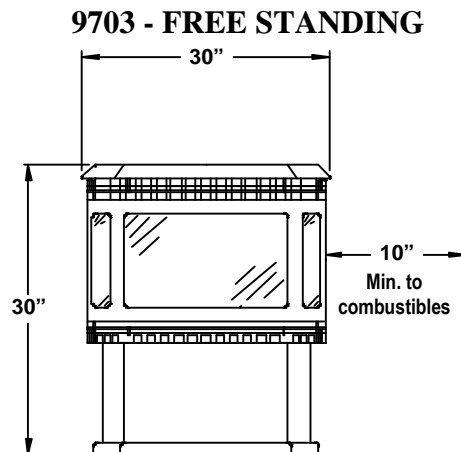
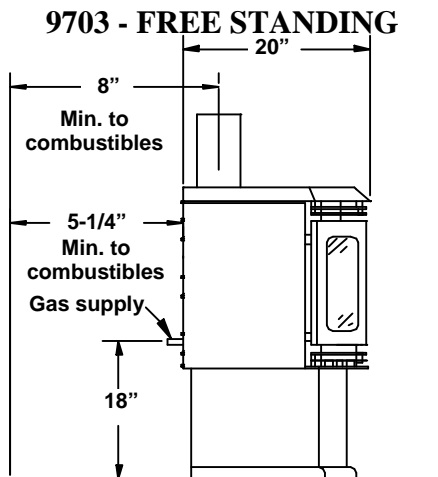
1/2 INCH FLEX OR RIGID PIPING MAY BE USED TO CONNECT THE GAS SUPPLY TO THE UNIT DEPENDING ON STATE, PROVINCIAL AND LOCAL CODES.

**GAS SUPPLY PRESSURE:**

NATURAL GAS.....7 inch w.c. recommended 5.5 min / 10.5 max



## 9703 - FREESTANDING & INSERT CLEARANCE DIAGRAMS





# 9703 - FLUE VENTING

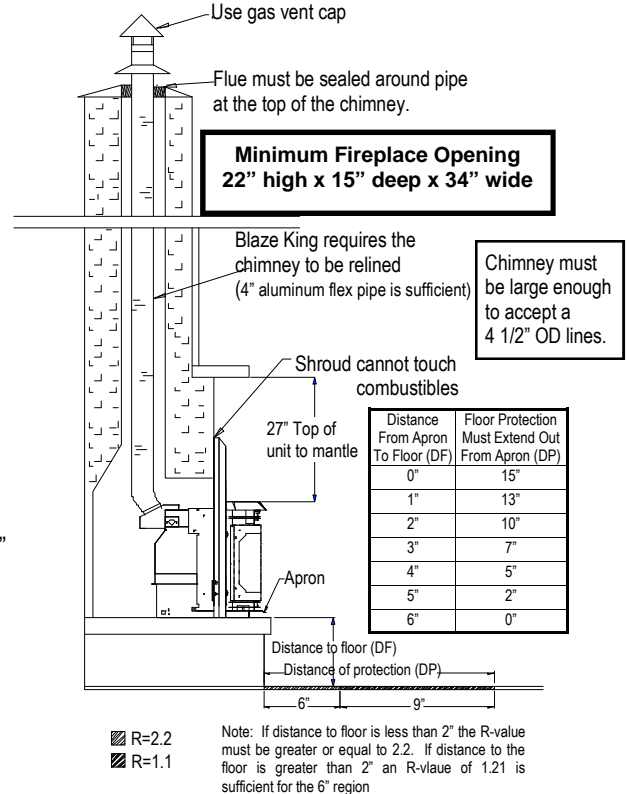
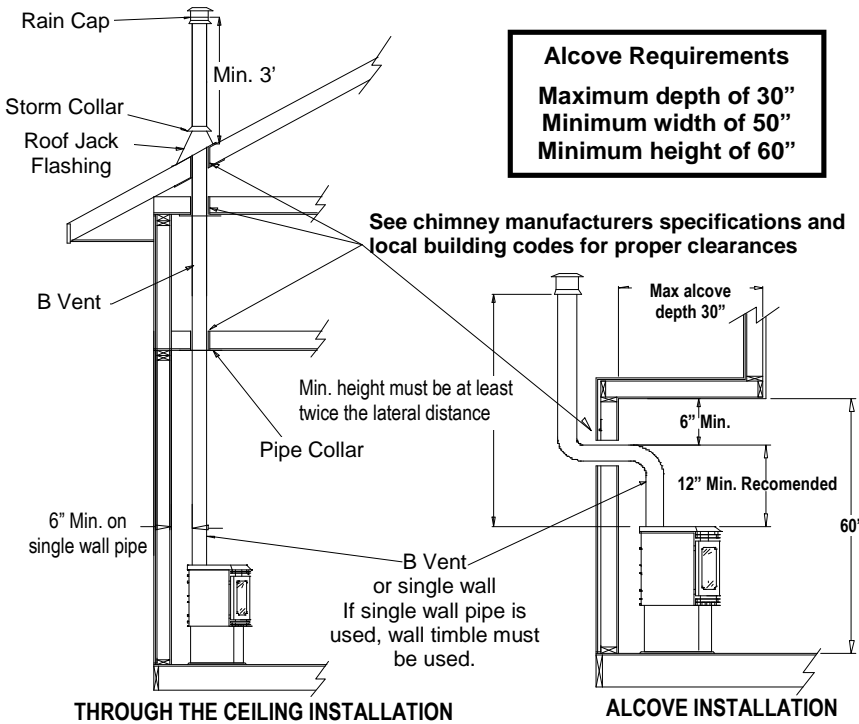
## WARNING

Always refer to current local, state or provincial codes and vent manufacturing specifications for a safe and efficient installation.

**Caution: Each of the vent manufacturers have their own method of connection. DO NOT MIX B-VENT FROM VARIOUS MANUFACTURERS. B-vent must be used when passing through a wall, ceiling, or roof.**

### FREESTANDING UNITS

### INSERT UNITS



## ORIFICE SIZING TABLE

Equivalent Orifice Sizes at High Altitudes (Includes 4% input reduction for each 1,000 feet)

### NATURAL GAS ORIFICE SIZE REQUIRED AT OTHER ELEVATIONS

This chart is based on gas with **1000 BTU Per Cubic Foot**.

Orifice size at for 9703 at:

	Sea Level	2000	3000	4000	5000	6000	7000	8000	9000	10000
FRONT #1	48	49	49	50	50	51	51	51	52	52
BACK #2	33	34	34	35	35	36	36	36	37	37

### PROPANE ORIFICE SIZE REQUIRED AT OTHER ELEVATIONS

This chart is based on gas with **2500 BTU Per Cubic Foot**.

Orifice size for 9703 at:

	Sea Level	2000	3000	4000	5000	6000	7000	8000	9000	10000
FRONT #1	62	63	63	64	64	65	65	65	66	66
BACK #2	52	53	53	54	54	55	55	55	56	56

Check with local gas company on **BTU content** and correct orifice accordingly.

# BURNER CONVERSION - ROBERT SHAW VALVE LP OR NATURAL GAS

**CONVERSION KIT SHOULD INCLUDE REGULATOR, MAIN BURNER ORIFICE (x2), AND PILOT ORIFICE.**

**CAUTION:** Before proceeding with the conversion the gas supply must be shut off prior to disconnection the electrical power.

1. .... Remove the 2 screws holding the regulator plate. Remove regulator and gasket.  
Position new gasket over pins and install new regulator with notched corner up.
2. .... Open the front access door.
3. .... Remove embers and logs.
4. .... Lift front of burn tray and remove through door.
5. .... Using a 1/2" wrench, break the compression fitting loose on the pilot line.
6. .... Locate the 2 screws securing the pilot assy to the bottom of the fire box. Remove screws.
7. .... Remove pilot line by unscrewing 1/2 inch brass fitting. Remove the pilot orifice. Replace with an appropriate pilot orifice.
8. .... Change the main burner orifices by unthreading the existing orifices from their fittings with 1/2 inch wrench. Replace with an appropriate orifice.
9. .... Fill in the conversion label on the label plate with the conversion information and fill out the label #0630 that came with the conversion kit and place it on the inside of the side door near the valve.
10. .... Reverse steps 1 to 7 to complete conversion.

**ATTENTION! THIS UNIT HAS A TWO BURNER CONFIGURATION. IT UTILIZES TWO MAIN BURNER ORIFICES. THE ORIFICE ON THE LEFT IS DESIGNATED AS ORIFICE #1, THE ORIFICE ON THE RIGHT WILL BE #2. (FACING FRONT OF UNIT)**

**USE THE ORIFICE SIZING CHART IN YOUR OWNERS MANUAL FOR CORRECT ORIFICE SIZES. NOTE THAT THE STANDARD LP KIT FOR THE 9703 WILL HAVE ORIFICES FOR SEA LEVEL TO 2000 FT.**

**WARNING: EACH CONNECTION MUST BE INSTRUMENT CHECKED OR SOAP CHECKED FOR LEAKS WITH GAS PRESSURE ON.**

**"This conversion kit shall be installed by a qualified service agency in accordance with the manufacturer's instructions and all applicable codes and requirements of the authorities having jurisdiction. If the information in these instructions are not followed exactly, a fire, explosion or production of carbon monoxide may result causing property damage, personal injury or loss of life. The qualified service agency is responsible for the proper installation of this kit. The installation is not proper and complete until the operation of the converted appliance is checked as specified in the owner instructions supplied with the kit."**

**Cet équipement de conversion sera installé par une agence qualifiée de service conformément aux instructions du fabricant et toutes exigences et codes applicables de l'autorités avoir la juridiction. Si l'information dans cette Instruction n'est pas suivie exactement, un feu, explosion ou production de protoxyde de carbone peut résulter le dommages causer de propriété, perte ou blessure personnelle de vie. L'agence qualifiée de service est esponsable de l'installation propre de cet équipement. L'installation n'est pas propre et complète jusqu'à l'opération del'appareil converti est chèque suivant les critères établis dans les instructions de propriétaire provisionnées avec l'équipement.**

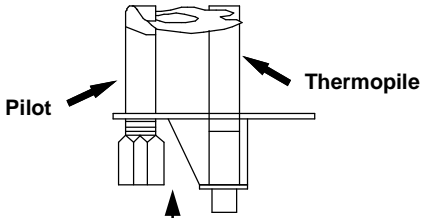
**AFTER CONVERSION IS COMPLETE TURN TO PAGE 20 OF THIS MANUAL AND PROCEED WITH LIGHTING YOUR APPLIANCE TO CHECK FOR PROPER OPERATION.**

## **HIGH ALTITUDE STATEMENT**

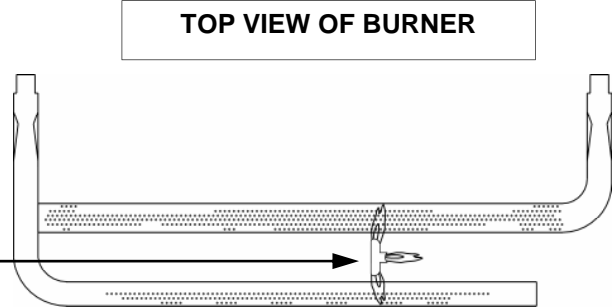
This unit has been tested for installations at a high altitude (1370 meters or higher) in accordance with Canadian test standard CAN/CGA-2.17. Higher altitudes effect their atmospheric pressure and heat value of gaseous fuels. When installing this unit at high altitudes, the rated input will be lower than at sea level. The lowered oxygen content in the air and lowered gas density requires installing a different orifice to achieve clean combustion of the unit. Consult the unit data plate for proper high altitude orifice size and fill out the information sticker attached to the unit when converting in the field. For high altitude installations, consult the local gas distributor or the authority having jurisdiction for proper rating methods.

# PILOT CONVERSION -ROBERT SHAW PILOT

**USE ONLY CONVERSION KITS LISTED BELOW (Model 9703) BLAZE KING PART#'s:**  
**NATURAL GAS- Z0750 (0-2000ft. #48/33 main orifices) & Z0750/H (2,000-4500ft.# 49/33 main orifices)**  
**PROPANE GAS- Z0748P (0-2000ft/#62/52 main orifices) & Z0748P/H (2,000-4500ft.#63/52 main orifices)**

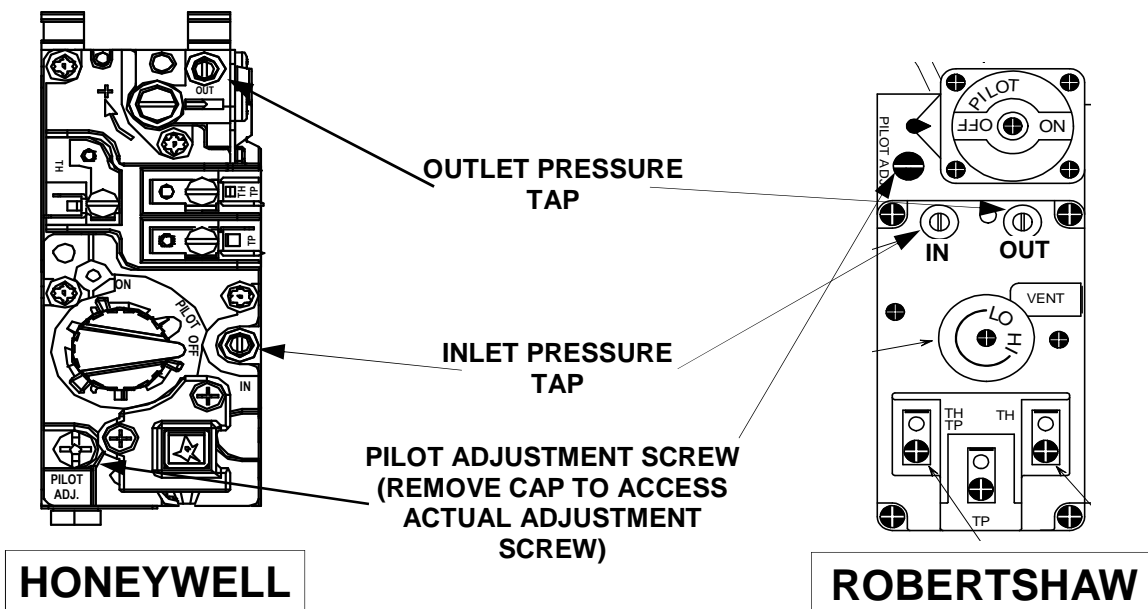


**PILOT FLAME SHOULD LOOK LIKE THIS**



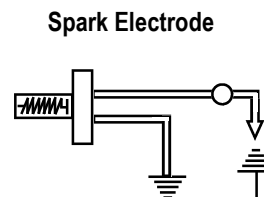
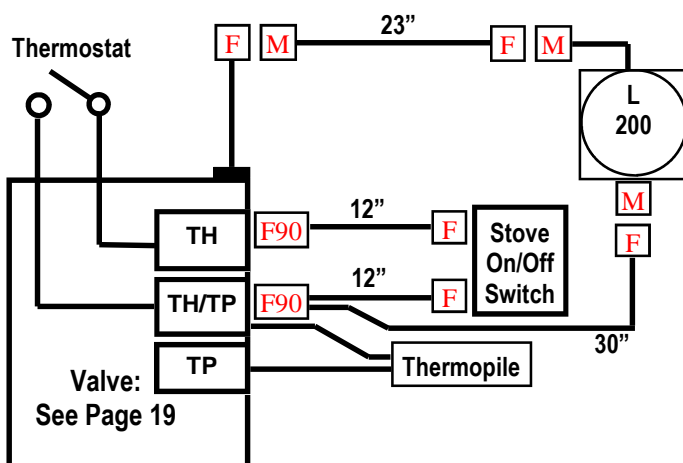
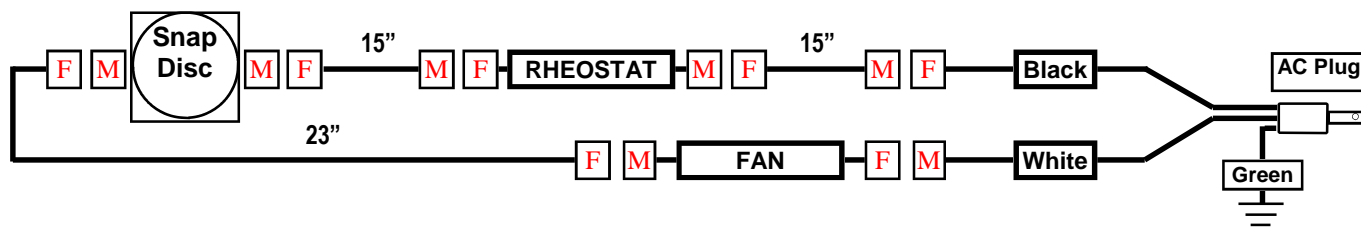
	NATURAL GAS	LP GAS
Manifold Pressure (In w.c. / kPa)	3.5 / 0.87	11.0 / 2.74
Collecteur de pression (In w.c. / kPa)		
Manifold Pressure Lo setting (In w.c. / kPa)	1.3 / 0.32	2.7 / 0.67
Collecteur de pression à bas rendement (In w.c. / kPa)		
Minimum Inlet Pressure (In w.c. / kPa)	5.0 / 1.24	12.2 / 3.04
Input Rating	44,000	42,000

Note manifold pressures listed above (further specifications are on page 4). **Read lighting instructions.** Cycle unit on and back out brass screw a FEW turns in the appropriate pressure test nipple as indicated below. Test for appropriate range. If regulator is not properly set, replace it. Stick conversion marking on the panel inside the right door just above the valve. Fill out conversion information on label inside of the left door on unit.  
**ADJUST PILOT AS NECESSARY. SEE ILLUSTRATION ABOVE FOR PROPER SIZE AND LOOK OF PILOT LIGHT.**



## WIRING DIAGRAM

**CAUTION: LABEL ALL WIRES PRIOR TO DISCONNECTION WHEN SERVICING CONTROLS. WIRING ERRORS CAN CAUSE IMPROPER AND DANGEROUS OPERATION**



## LIGHTING PREPARATION

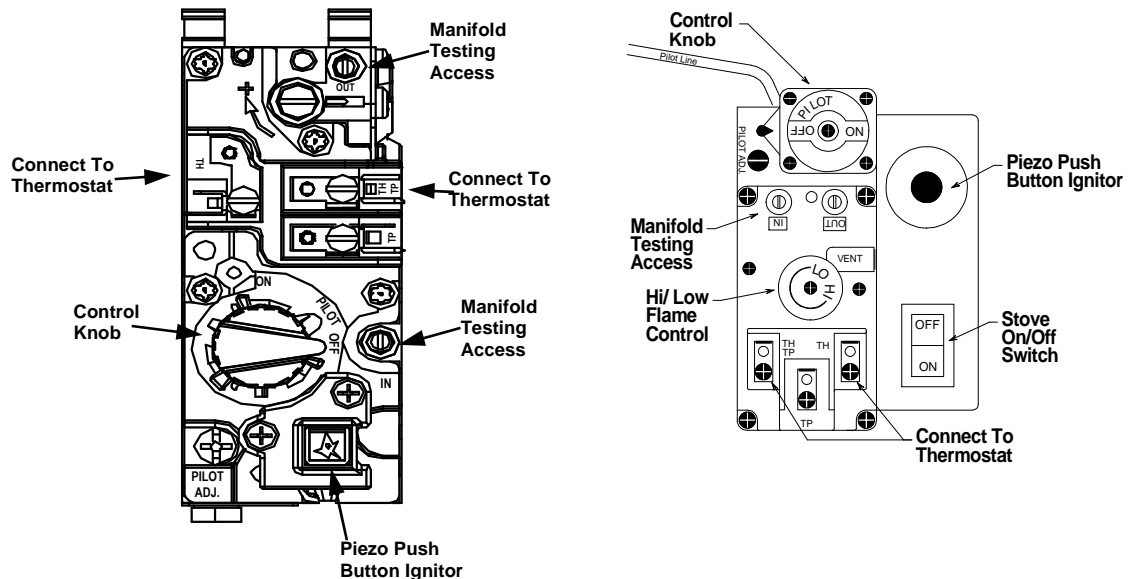
### FOR YOUR SAFETY - READ BEFORE LIGHTING

**WARNING - If you do not follow these instructions exactly, a fire or explosion may result causing property damage or personal injury.**

- A. This appliance has a pilot that is lit with a push button Piezo lighter. When lighting the pilot, follow these instructions exactly.
- B. BEFORE LIGHTING smell all around the appliance area for gas. Be sure to smell next to the floor because some gas is heavier than air and will settle on the floor.
  - WHAT TO DO IF YOU SMELL GAS:**
    - \* OPEN WINDOWS
    - \* DO NOT TOUCH ANY ELECTRIC SWITCH; DO NOT USE ANY PHONE IN YOUR BUILDING
    - \* EXTINGUISH ANY OPEN FLAME
    - \* IMMEDIATELY CALL YOUR GAS SUPPLIER FROM A NEIGHBOR'S PHONE AND FOLLOW THE GAS SUPPLIER'S INSTRUCTIONS
    - \* IF YOU CANNOT REACH YOUR GAS SUPPLIER, CALL THE FIRE DEPARTMENT
- C. **Never use tools to turn or push any control knobs or switches.** If any controls on your appliance (knobs, switches, buttons, dials) fail to move or operate properly do not force them. Excessive force or the use of tools on these controls may damage them and could result in a fire or explosion. **If you have a problem do not try to repair it. Call a qualified service technician.**
- D. Do not use this appliance if any part has been under water. Immediately call a qualified service technician to inspect the appliance and replace any part of the control system or gas control which has been under water.

# LIGHTING INSTRUCTIONS

1. **STOP! Read the safety information on the previous page.**
2. Controls are accessed by opening the right side door panel.
3. Set the optional wall thermostat to lowest setting or switch the Stove On/Off Switch to the off position.
4. Push in the gas control knob slightly and turn clockwise to OFF.



**NOTE:** The knob cannot be turned from PILOT to OFF unless the knob is pushed in slightly. **DO NOT FORCE.**

5. Wait five (5) minutes to clear out any gas. If you smell gas **STOP!** Follow step B in the safety information section on the previous page. If you do not smell gas, go the step 7.
6. Turn Control Knob counter clockwise to PILOT position.
7. Depress control knob and push in the Piezo ignitor button. Once pilot ignites, continue to hold the control knob in for about one (1) minute. Release the knob and it will pop back up. Pilot should remain lit. If it goes out, repeat from step 5.
  - \* If the knob does not pop up when released, stop and immediately call your service technician or gas supplier.
  - \* If the pilot will not stay lit after several tries, turn the gas control knob to OFF and call your service technician or gas supplier.
8. Turn the gas control knob counter clockwise to ON. Turn on all electric power to the appliance. Set the thermostat to desired setting, or if you are not using the thermostat, switch the Stove On/Off Switch to the on position.

**NOTE: IF THERMOSTAT IS TO BE USED, THE STOVE ON/OFF SWITCH SHOULD BE IN THE OFF POSITION. IF SWITCH IS LEFT ON, THE STOVE WILL CONTINUE TO RUN AND THE THERMOSTAT WILL HAVE NO EFFECT.**

NOTE: Fan operation is controlled by the temperature of the stove. It will turn on after the stove reaches approximately 130 degrees F and will run after the stove is turned off until it cools down.

## TO TURN OFF GAS APPLIANCE:

8. Set the thermostat to lowest setting or if you are not using the thermostat then switch the Stove On/Off Switch to the off position
9. Push in the gas control knob slightly and turn clockwise to OFF. **DO NOT FORCE.**
10. Turn off all electric power to the appliance if a service is to be performed.

# 9703 - REPLACEMENT PARTS LIST

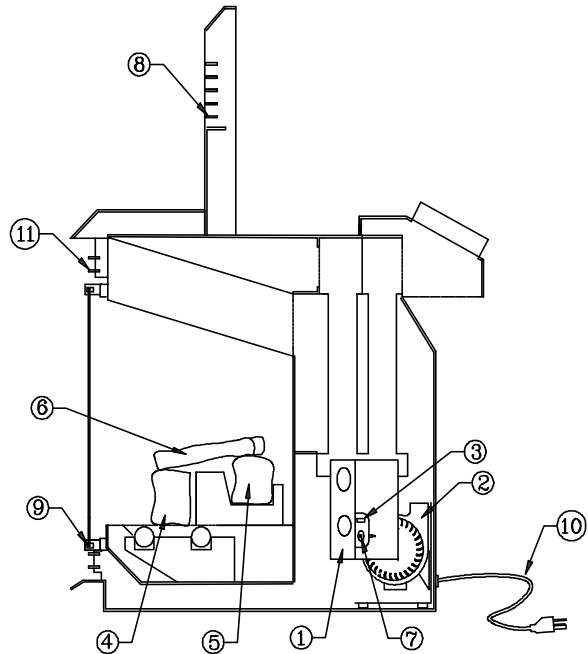
**PART NAME:**

1. Robertshaw Gas Valve  
Honeywell Gas Valve
2. Fan
3. Main Burner Switch
- 4/5/6. Log Set (3 piece)
7. Piezzo Push Button Igniter
8. Shroud Trim Long (Insert only)  
" " Short "
9. Fiber Embers
10. Fan Cord
11. Front Decor - Gold
12. Pedestal
13. Main Gas Line 3/8"x12" Flex
14. Pilot Line 1/4"x30" Flex
15. Front Burner Gas Line 36" Flex
16. PSE Pilot Assembly. OBSOLETE  
Use Robert Shaw (Abrev. RS)
17. Robert Shaw-Pilot Hood  
c/w Orifice & Electrode
18. Robert Shaw Electrode  
c/w 24" Wire
19. Thermopile Generator; use with  
Robert Shaw or PSE
20. LPG Kit: 0-2000ft
21. LPG Kit: 2000-4500ft
22. Nat Regulator (RS)
23. LPG Regulator (RS)

**PART #**

- 0718A
- 0720
- 0719B
- 0725A
- 0813
- 0737
- 0758B
- 0767
- 0745
- Z0158
- Z9732G
- 9748
- 0838B
- 0839D
- 0838C
- 0721VC
- 0738B
- 0721A
- Z0748P
- Z0748P/H
- 0747
- 0734

**INSERT**



**PART NAME:**

24. Rheostat (fan speed control)
25. F200 Snap Disc (Fan Switch)
26. L200 Snap Disc (Spill Switch)
27. Wall Thermostat

**PART #**

- Z0136A
- 1144B
- 1143
- 0736

## Glass Replacement Procedure

1. Remove 7/8" gasket
2. Using a nut driver remove all 14 6/32 nuts and washers from around the door
3. **Before removing glass retainers note there are two different retainers. One for the bottom and one for the top. The top retainer has a long notch across the bottom of it and the bottom retainer is one solid piece. It is important to make sure that the top retainer is used for the top of the door. If it is not it will void your warranty on the door.**
4. Remove glass retainers (4)
5. Remove 2 seal plates from frame of door.
6. Remove channel tape from around 3 pieces glass
7. Remove gold door from work area and completely clean all debris to prevent gold door from being scratched.
8. Place new glass flat and allow approx. 1/8" space between outside pieces and center.
9. Starting at a corner and using channel tape (5/8" ), peel backing off of tape and in small sections at a time, wrap around the outer edges of glass making sure spaces are equal between outer glass and center (1/8").
10. Taking gold door place seal plates onto the two bends of the door making sure to center evenly.
11. Place glass into frame of gold door make sure to center spaces with the bend of the door where seal plates are aligned.
12. Clean glass retainers of all residue. Place bottom retainer in proper section and top retainer in top part of door. Next, place two outside retainers on door.
13. When applying nuts and washers start in center of either top or bottom retainer and work your way out. This should allow for easier application. Do not tighten nuts until all are on and centering of glass and retainers is adequate. Do not over tighten.
14. Apply cement in small fine line around the inside ledge of glass retainers.
15. Starting between the door hinges put new 7/8 gasket on, pressing it into the corners and bends of the door. Cut gasket 1/8" from end and push into closing end. Press gasket securely into place.