

THE TORINO

**THE TORINO**

FREESTANDING DIRECT VENTED
TOP OR REAR VENT GAS ROOM HEATER
FOR USE WITH NATURAL GAS OR PROPANE

USERS' INSTALLATION OPERATION & MAINTENANCE MANUAL



WARNING: If the information in this manual is not followed exactly, fire or explosion may result causing property damage, personal injury or loss of life.

— Do not store or use gasoline or other flammable vapors and liquids in the vicinity of this or any other appliance.

— **WHAT TO DO IF YOU SMELL GAS**

- Do not try to light any appliance.
- Do not touch any electrical switch; do not use any phone in your building.
- Immediately call your gas supplier from a neighbor's phone. Follow the gas supplier's instructions.
- If you cannot reach your gas supplier, call the fire department.

— Installation and service must be performed by a qualified installer, service agency or the gas supplier.

This appliance may be installed in an aftermarket permanently located, manufactured (mobile) home, where not prohibited by local codes.

This appliance is only for use with the type of gas indicated on the rating plate. This appliance is not convertible for use with other gases, unless a certified kit is used.

WARNING



**HOT GLASS WILL
CAUSE BURNS.
DO NOT TOUCH GLASS
UNTIL COOLED.
NEVER ALLOW CHILDREN
TO TOUCH GLASS.**

**INSTALLER: PLEASE LEAVE THIS MANUAL WITH THE CUSTOMER
CUSTOMER: PLEASE KEEP MANUAL FOR FUTURE REFERENCE**

Pour la version française de nos manuels S.V.P. vous référez à notre site web : www.blazeking.com



CONTENTS

Introduction	3
Copy of certification label	4
General Information & Specifications	5
Appliance Dimensions	6
Installation Clearances	7
Assembly Instructions	8 - 9
Installation Instructions	10 - 19
Rigid Venting Parts List	20 - 22
Intermittent Pilot & Valve Information	23 - 24
Wiring Diagram	25
Lighting Instructions	26
Remote Control Setup and Operation instructions	27-31
Maintenance	32-33
Servicing	34-35
Fuel Conversion	36-37
Burner Tray Removal & Installation	38
Valve Removal & Installation	39
Fan Removal & Installation	40
Allowed Termination Location	41
Troubleshooting	42-43
Top / Rear Vent Conversion	44
Warranty	45
Replacement Parts	46-47
Notes & Service History	48

MANUFACTURED IN CANADA BY:

Valley Comfort Systems Inc.
 1290 Commercial Way
 Penticton, BC
 V2A 3H5

Ph# 1-250-493-7444
 Email sales@blazeking.com

Patents Pending

MANUFACTURED IN USA BY:

Blaze King Industries
 146 A Street
 Walla Walla, WA.
 99362

Ph# 1-509-522-2730
 Email ussales@blazeking.com

INTRODUCTION

Thank you for purchasing the The Torino Freestanding Fireplace Gas Heater.

The Torino is one of the most advanced direct vented freestanding fireplace gas heaters on the market. It is designed using the latest technology and manufactured to the highest quality.

Some of the many features are:

- * Electronic Valve Intermittent pilot & remote capability.
- * Heater Classification It is classified as a heating appliance. Therefore, it can be operated continuously for zone heating.
- * High Efficiency It has high efficiency; therefore, it is less expensive to operate.
- * Adjustable Flame The flame aesthetics and heat output can be adjusted to suit the owner's moods and heating needs.
- * Solid Construction It is constructed mainly of 16 and 14 gauge steel with stainless steel baffle for long life and durability.

Please read the manual carefully prior to installation and operation of the appliance. Proper installation, operation and maintenance of the appliance will provide you with many years of enjoyment.

CAUTION

Due to high temperatures, the appliance should be located out of traffic and away from furniture and draperies.

Children and adults should be alerted to the hazards of high surface temperature and stay away to avoid burns or clothing ignition.

Young children should be carefully supervised when they are in the same room as the appliance.

Clothing or other flammable material should not be placed on or near the appliance.

Any parts removed or opened for servicing of the appliance must be properly replaced prior to operating the appliance.

The appliance must be inspected before use and at least annually by a qualified service person. More frequent cleaning maybe required due to excessive lint from carpeting, bedding material, etc. It is imperative that the control compartments, burners and circulating air passageways for the appliance be kept clean.

Venting terminals shall not be recessed into a wall or siding.

This gas appliance must not be connected to a chimney flue serving a separate solid fuel burning appliance.

THE TORINO

Note: A copy of the certification label is provided here for your review. Due to constant up-grades it is possible that the information shown here may not coincide with the label as attached to the unit. In the event of a discrepancy between the labels, the label on the unit is considered as the correct



Intertek

Certified for U.S. and Canada
Certifié pour le Canada et les États-Unis

Listed Vented Gas Fireplace Heater/Foyer chauffé au gaz avec évènement

The Torino

Serial No. -

This stove is factory equipped for 0-610m (0-2000 ft)
Ce foyer est manufacturé et équipé pour 0-610m (0-2000) pied

ANSI Z21.88 -2009/CSA 2.33 -2009, "Vented Gas Fireplace Heaters", CAN/CGA-2.17-M91 "Gas-Fireplaces For Use At High Altitudes."
Testé à ANSI Z21.88 -2009/CSA 2.33 -2009 "Foyer au gaz avec évènement CAN/CGA 2.17- M91 "Appareils de chauffage au gaz utilisés en hautes altitudes"

Model: Torino rear and top vent appliance Modèle: Torino à ventilation arrière et de dessus Orifice (DMS) 0-1370 m	<input type="checkbox"/> NATURAL GAS 39 left/gauche 52 right/droit	<input type="checkbox"/> LP GAS 53 left/gauche 59 right/droit
Input rating/Puissance d'entrée (BTU/hr / Kw) 0-1370m 0-4,500 ft Alt.	36,000 / 10.55	37,000 / 10.84
Minimum Input/Entrée Minimum (BTU/hr / Kw)	25,000 / 7.33	27,000 / 7.91
Manifold Pressure High setting (In w.c. / kPa) - AF-4034 Valves	3.5 / 0.87	10.0 / 2.49
Manifold Pressure Lo setting (In w.c. / kPa) - AF-4034 Valves	1.6 / 0.40	6.3 / 1.57
Minimum Inlet Pressure/Pression d'admission Minimum (In w.c. / kPa)	5.0 / 1.24	12.0 / 3.00

This appliance must be installed in accordance with local codes if any; if not follow ANSI Z223.1 and CAN 1-B149 Gas Appliance Installation Code ANSI Z223.1/NFPA 54 or Natural Gas and Propane Installation Codes CSA B149.1. Cet appareil doit être installé selon les codes locaux, s'il y en a: sinon suivez l'actuel ANSI Z223.1 et CAN 1-B149 Appareil au Gaz Code ANSI Z223.1/NFPA 54 ou Gaz Naturel et Propane Codes CSA B149

VENTED GAS FIREPLACE HEATER —NOT FOR USE WITH SOLID FUEL FOYER AU GAZ AVEC ÉVÈNEMENT —NE PAS UTILISER AVEC DU COMBUSTIBLE SOLIDE

FOR USE WITH GLASS DOORS CERTIFIED WITH THE APPLIANCE ONLY. /UTILISER SEULEMENT AVEC DES PORTES VITRÉES CERTIFIÉES POUR CET APPAREIL.

ALSO FOR USE IN OEM / MOBILE (MANUFACTURED) HOMES AFTER HOME IS ON SITE. Convertible for use with natural gas or propane as follows:

For natural gas when equipped with orifice #'s 39 left / 52 right.

For propane when equipped with orifice #'s 53 left/ 59 right.

MAY BE INSTALLED IN A BEDROOM OR SITTING ROOM WHEN INSTALLED WITH A LISTED THERMOSTAT CONTROL IN CANADA.

AUSSI POUR L'USAGE DANS LES MAISONS (MANUFACTURÉES) MOBILES APRÈS QUE LA MAISON SE TROUVE SUR LE CHANTIER. Convertible pour l'usage avec le gaz naturel ou le propane comme suit: Pour le gaz naturel une fois équipé orifice #'s 39 gauche/52droit. Pour le propane une fois équipé de l'orifice # '53gauche/59droit.

PEUT ÊTRE INSTALLÉ DANS UNE CHAMBRE À COUCHER OU UN SALON UNE FOIS INSTALLÉ AVEC UN THERMOSTAT ÉNUMÉRÉ AU CANADA.

MINIMUM CLEARANCES TO COMBUSTIBLES / ESPACES MINIMUM REQUIS ENTRE L'APPAREIL ET DES MATÉRIAUX COMBUSTIBLES.

Unit to Sidewall/Unité au mur latéral	254 mm (10in)	Unit to Back wall/Unité au mur arrière	152 mm (6 in)
Floor /Plancher	Unprotected (in Canada) / Sans protection (Canada)		
Floor/Plancher	Unprotected (in U.S.A) / Sans protection (U.S.A)		
Vent pipe/Évent (horizontal)	50 mm (2 in)		
Vent pipe/Évent (vertical)	25 mm (1 in)		

Electrical Rating: 115 Volts, 0.7 Amp, 60 Hz

DANGER: Risk of electrical shock. Disconnect power before servicing unit. Do not route power cord beneath heater.

DANGER: Risque d'électrocution. Débrancher le courant avant de réparer l'unité. Ne pas mettre la corde d'alimentation en dessous de l'appareil de chauffage.

This appliance must be installed in accordance with the Standard CAN/CSA Z240 MH, Mobile Housing, in Canada, or with the *Manufactured Home Construction and Safety Standard, Title 24 CFR, Part 3280*, in the United States, or when such a standard is not applicable, *ANSI/NCSBCS A225.1/NFPA 501 A, Manufactured Home Installations Standard*. / Cet appareil doit être installé selon les codes CAN/CSA Z240 MH, maisons (manufacturées) mobiles, au Canada, sinon applicable, utilisez *ANSI/NCSBCS A225.1/NFPA 501 A, Manufactured Home Installations Standard*.

This appliance is only for use with the type of gas indicated on the rating plate and may be installed in an aftermarket, permanently located, manufactured (mobile) home where not prohibited by local codes. See owners manual for details. This appliance is not convertible for use with other gases unless a certified kit is used.

This vented gas fireplace is not for use with air filters. convertible for use with other gases, unless a certified kit is used.

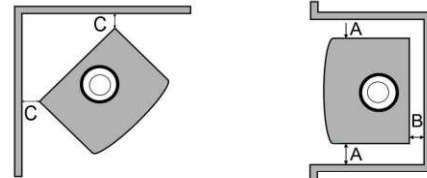
Cet appareil sert seulement avec le type de gaz indiqué sur la plaque de contrôle et peut être installé dans un marché des accessoires, maison (mobile) de manière permanente placée et manufacturée où non interdit par des codes locaux. Voir le manuel d'installation pour des détails. Cet appareil n'est pas convertible pour l'usage avec d'autres gaz à moins qu'un kit certifié soit employé. Ce foyer au gaz à évènement ne peut être utilisé avec des filtres à air.

MINIMUM ALCOVE CLEARANCES

A	Side Wall to unit side	10" (254mm)
B	Back wall to unit side	6" (152mm)
C	Corner to side wall	4-3/8" (111mm)
	Minimum Alcove Height	48" (1219mm)

Manufactured in U.S.A. by: **Blaze King Industries**
146 A Street, Walla Walla, WA
U.S.A. 99362

Manufactured in Canada: **Valley Comfort Systems Inc.**
1290 Commercial Way, Penticton, B.C.
V2A 3H5 Canada



Manufacture Date:

<input type="checkbox"/> 2008	<input type="checkbox"/> 2009	<input type="checkbox"/> 2010	<input type="checkbox"/> 2011	<input type="checkbox"/> 2012
<input type="checkbox"/> JAN	<input type="checkbox"/> FEB	<input type="checkbox"/> MAR	<input type="checkbox"/> APRIL	<input type="checkbox"/> 2012
<input type="checkbox"/> MAY	<input type="checkbox"/> JUNE	<input type="checkbox"/> JULY	<input type="checkbox"/> AUG	<input type="checkbox"/> 2013
<input type="checkbox"/> SEPT	<input type="checkbox"/> OCT	<input type="checkbox"/> NOV	<input type="checkbox"/> DEC	<input type="checkbox"/> 2014

#0370ef revOct/09

GENERAL INFORMATION

APPLIANCE CERTIFICATION

This appliance is tested and certified to the following US and Canadian gas appliance standards.

- ANSI Z21.88b-2007 / CSA 2.33b-2007 Vented Gas Fireplace Heaters,
- CAN/CGA-2.17-M91 Gas-Fired Appliance for Use at High Altitudes
- CSA P.4.1-02 Testing Method for Measuring Annual Fireplace Efficiency

Please contact Valley Comfort or Blaze King, if you have any questions regarding the certification of this appliance.

INSTALLATION CODES

This appliance must be installed by a qualified gas appliance installer. The installation must conform with the local codes or, in the absence of local codes, with the current National Fuel Gas Code, ANSI Z223.1/ NFPA 54, in the US or Installation Code, CSA-B149.1, in Canada. Electrical connections and grounding must be in accordance with local codes, if any, if not, follow the current CAN/CSA C22.1 in Canada and ANSI/NFPA 70 in the US. This appliance is certified for installation in a bedroom or a bedsitting room.

This appliance is only for use with the type of gas indicated on the rating plate and may be installed in an aftermarket, permanently located, manufactured (mobile) home where not prohibited by local codes. See owner's manual for details. This appliance is not convertible for use with other gases, unless a certified kit is used. This appliance must be installed in accordance with the current Standard *CAN/CSA Z240 1411, Mobile Housing*, or with the *Manufactured Home Construction and Safety Standard Title 24 CFR, Part 3280*, or when such a standard is not applicable, *ANSI/NCSCS A225.1/NFPA 501A, Manufactured Home Installations Standard*.

Only for direct discharge without duct connection. This appliance must be direct vented using listed and approved Simpson Dura-Vent, Selkirk, Security or American Metal Products vent components.

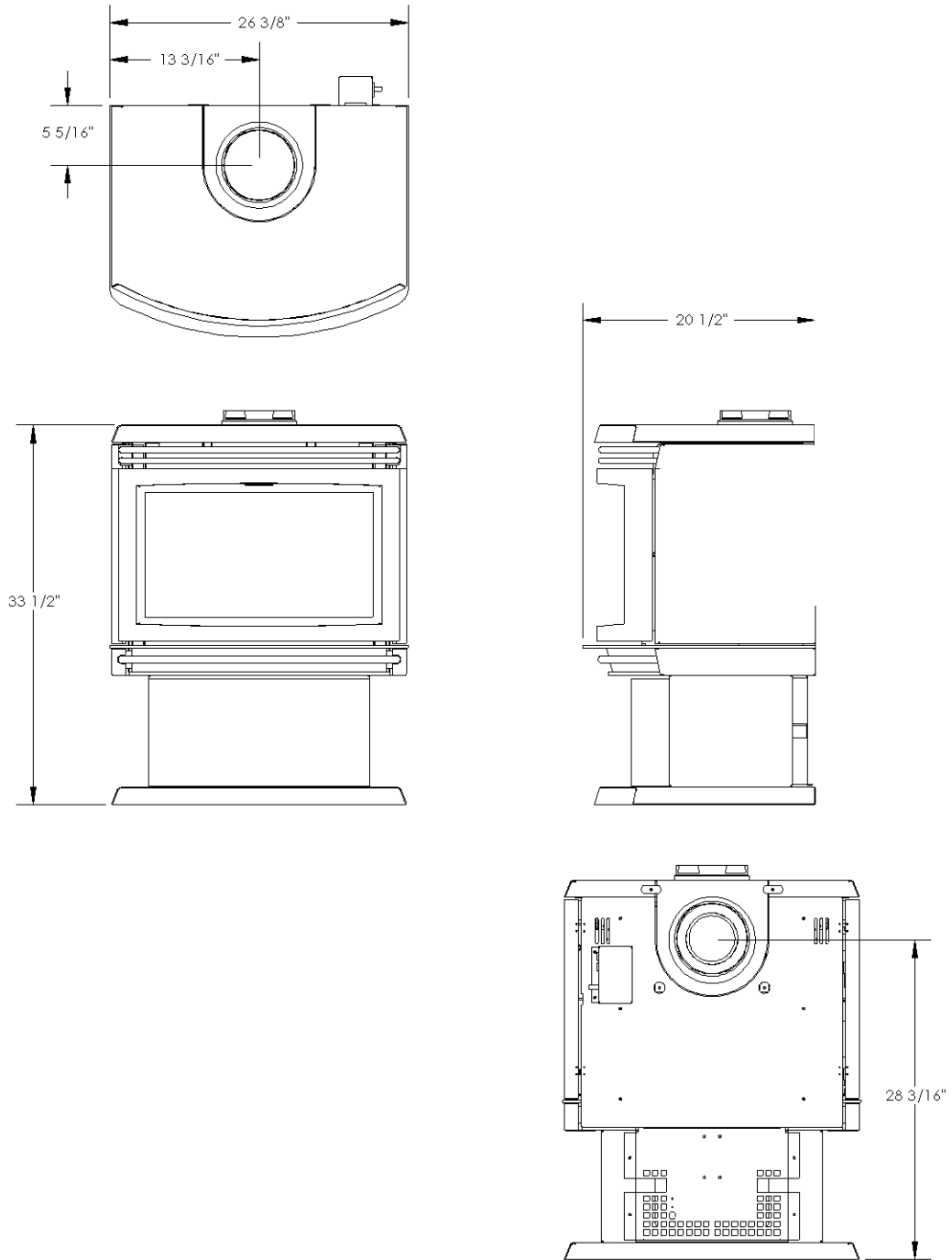
SPECIFICATIONS

MODEL <i>The Torino</i>	Natural Gas (NG)	Propane (LP)
Manifold Pressure	3.5 in. w.c. (0.87kPa)	10.0 in. w.c. (2.49kPa)
Min. Supply Pressure for Purpose of Input Adjustment	5 in. w.c. (1.24 kPa)	12.0 in. w.c. (3.0 kPa)
Orifice Size	DMS # 39 left / 52 right	DMS # 53 left / 59 right
Nominal Input Rating	36,000 BTU/hr	37,000 BTU/hr
Minimum Input Rating	25,000 BTU/hr	27,000 BTU/hr
Altitude	0 - 4,500 ft. (0 - 1372 m)	0 - 4,500 ft. (0 - 1372 m)
Primary Air Opening	50% (Minimum).	open
Electrical Rating	120 V.A.C. System	120 V.A.C. System

HIGH ALTITUDE INSTALLATION

When installing this appliance beyond 4500 ft. (1372 m) above sea level, the appliance must be properly de-rated and installed according to local codes, in the absence of local codes, with the current National Fuel Gas Code, ANSI Z223.1/ NFPA 54, in the US or Installation Code, CSA-B149.1, in Canada.

APPLIANCE DIMENSIONS



Rear Vent Option

INSTALLATION CLEARANCES

CLEARANCES TO COMBUSTIBLES

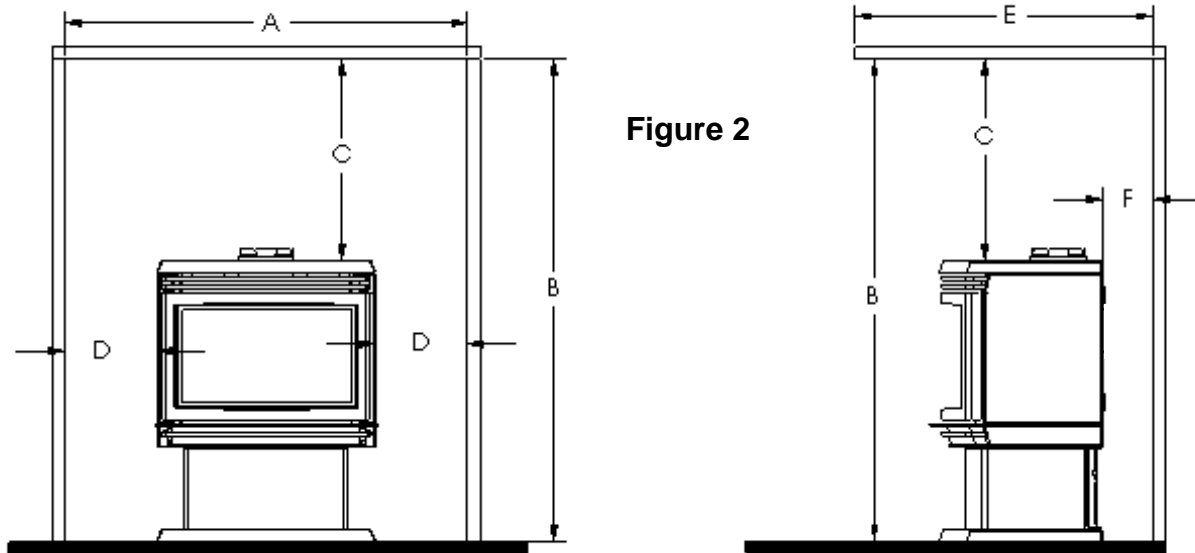
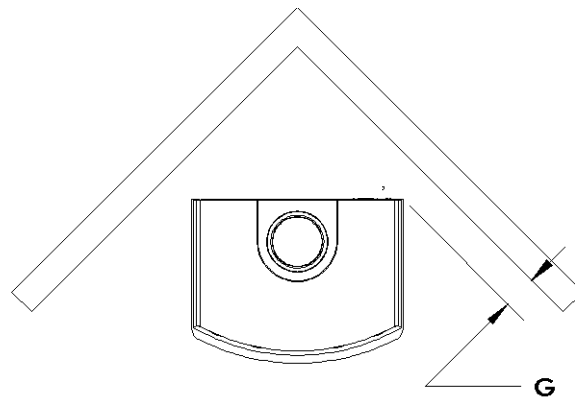


Figure 2



MODEL - The Torino	
A Alcove Width	min. 46-3/8" (1178 mm)
B Alcove Height	min. 48" (1219 mm)
C Top of Unit to Alcove Ceiling	min. 12-1/2" (318 mm)
D Side of Unit to Sidewall	min. 10" (254 mm)
E Alcove Depth	max. 37" (940mm)
F Back of Unit to Back Wall	min. 6" (152mm)
G Corner of Unit to Side Wall	min. 4-3/8" (111 mm)
Vertical Vent	1" (25 mm) to outside surface
Horizontal Vent	1" (25 mm) to outside side and bottom surface 2" (50 mm) to outside top surface.
Note: Check local codes for floor requirements. This fireplace is suitable for installation on a combustible surface.	

ASSEMBLY INSTRUCTIONS

GLASS DOOR REMOVAL

Removing the Glass Door

- Open the right side panel.
- Unhook the door latch.
- Swing the door open.
- Using a screw driver, remove the top glass retainer, making sure to hold the glass from falling out.
- Lift out and remove door glass with the gasket attached.
- If the glass door is damaged, it **must** be replaced with another glass door certified with this appliance **only**.
- Replacement glass doors are available through your Blaze King dealer (See Replacement Parts page 46)

Replacing the Glass Door

- Check the condition of the glass and the gasket before installing door.
- Replace the window glass and gasket and re-install the top glass retainer.
- Swing the door shut and re-attached the door latch.

If the glass has been damaged contact your dealer and replace the glass and gasket with a new glass and gasket provided by your dealer.

WARNING:

- Do not attempt to remove the glass door when the appliance is hot.
- Do not abuse the glass door.
- Do not strike or slam the glass.
- Do not operate this appliance with cracked or broken glass.
- Do not use any substitute materials.

ASSEMBLY INSTRUCTIONS Cont...

PLACEMENT OF LOGS AND TWIGS



Step 1: Place rear log on log on pins near the rear center of the burner.



Step 2: Install pins in holes "arrows" and place next log on pins and log support.



Step 3: Install pins in holes "arrows" and place final log on pins as shown.

MAIN FLAME



INTERMITTENT PILOT FLAME:

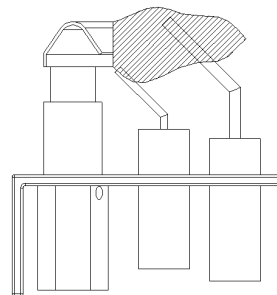


Figure 3

WARNING : Do not place the logs in any other configuration than the one shown. Fire, explosion or excessive carbon monoxide (CO) may result, causing property damage, personal injury or loss of life.

INSTALLATION INSTRUCTIONS

PRECAUTIONS

- This appliance must be installed by a qualified gas installer and the installation conform to the installation codes.
- This appliance needs fresh air for safe operation and must be installed so there are provisions for adequate ventilation air. Provide adequate clearance around air openings of the appliance. Never obstruct front openings.
- Provide adequate clearances for proper operation and servicing of the appliance.
- This appliance must be properly connected to a venting system.
- This appliance must NOT be connected to a chimney flue serving a solid-fuel appliance.

LOCATING GAS FIREPLACE

The venting system of this appliance must be installed in a location that is free of plumbing, electrical wiring and heating or air conditioning ducts. Select a location that is accessible for venting. See the ALLOWABLE TERMINATION LOCATIONS - page 41, in this manual.

Mobile Home Installation

Two holes are provided in the pedestal base of the unit to allow for anchoring down the appliance. To access the mounts simply remove the pedestal back panel, or lift off the pedestal valve access panel at the front of the unit. The pedestal back unscrews with 4 screws, the pedestal front lifts off 2 hooks and 2 magnets. Lift up and pull towards you.

VENT TERMINATION LOCATION

1. Establish a suitable vent termination location. (See ALLOWABLE TERMINATION LOCATIONS - page 41)
2. In heavy snowfall areas make sure vent termination is located where it can not be blocked by snowfall or snow from snow removal equipment.
3. Locate vent termination away from plants, bushes or any other object on or near the vent termination that will interfere or obstruct the air flow around it.
4. DO NOT recess vent termination into walls, sidings or planters.
5. Vent terminations located below 7 ft (2130 mm) from grade level or anywhere that it is a burn hazard to the public, such as patios and balconies, must be protected with an approved termination cage.

INSTALLATION INSTRUCTIONS Cont...

GAS CONNECTIONS

Have your gas supplier or a qualified gas fitter run a gas supply line into the gas fireplace. The line must be properly sized and fitted according to the installation codes. Upstream of the supply connection, the fitter shall provide a manual shut-off valve.

CAUTION: The appliance and its individual shutoff valve must be disconnected from the gas supply piping system during any pressure-testing of that system at test pressures in excess of 1/2 psig (3.5 kPa). The appliance must be isolated from the gas supply piping system by closing its individual manual shutoff valve during any pressure-testing of the gas supply piping system at test pressures equal to or less than 1/2 psig (3.5 kPa). Failure to do so will damage the appliance's gas valve. Such damage is not cover by the manufacturer's warranty.

Check for proper gas supply pressure by loosening the set screw on supply pressure tap on the gas valve with a small flat tip screw driver and placing a test gauge on the tap. The minimum permissible gas supply pressure is 5.0 in. w.c. (1.24 kPa) for natural gas and 12.0 in. w.c. (3.0 kPa) for propane. Maximum gas supply pressure should never exceed 14.0 in. w.c. (3.48 kPa) or 1/2 psi. for both natural gas and propane.

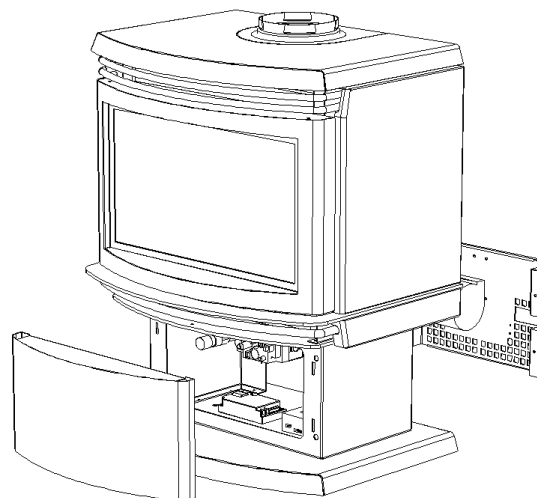
BE SURE TO TIGHTEN THE PRESSURE TAP SET SCREW AFTER CHECKING THE PRESSURE.

Before connecting the appliance to the gas supply line, double check that the appliance you have purchased is designed for the gas type you are using. The gas type markings are located on the certification label and also on the appliance's gas valve.

Adequate clearance for proper installation and checking of the gas connections must be provided. All gas connections must be checked for gas leaks.

Pedestal Access

The pedestal / gas controls can be accessed for set up or servicing and adjusting. The pedestal rear cover can be removed with 4 screws, while the front lifts off 2 hooks and magnets. Use care when removing these parts that you do not accidentally scratch the paint on the pedestal base. When the covers are removed, you should have easy access for connections and testing purposes. Re-install these components after servicing, again, being careful not to damage the painted services of the stove.



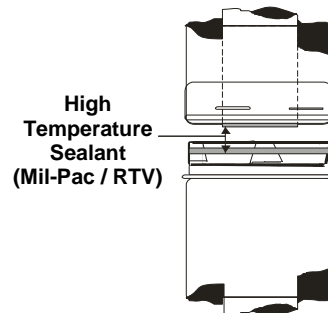
INSTALLATION INSTRUCTIONS Cont...

WARNING: A minimum clearance of 1" to combustibles must be maintained on vertical pipe runs and 2" for horizontal pipe runs (sides and bottom 1")

The rigid vent systems use twist lock connections. The adaptor attached to the unit connects to the approved venting system. While you are assembling the pipe bear in mind the best visual appearance. Seams should be aligned and hidden as much as possible. Make sure you twist the mating section all the way to make a solid connection.

Note: As this system is a sealed system, a high temperature sealing compound must be used to seal the metal to metal joint.

Apply a bead of high temperature sealant to both the 4" exhaust and 6-5/8" intake section of the male pipe. The female section of the pipe/fitting has four indentations evenly spaced around the pipe. These indentations are designed to slide over the male section of the pipe and locate into the four entry slots of the male section of pipe. Twist the female section clockwise a quarter turn to fully lock the sections together.



Horizontal Wall Vent Terminations

The position of the horizontal vent termination must be positioned to meet all local building codes (see termination chart on page 41).

Attach the correct length of vertical section pipe and an elbow fitting to the stove.

Mark the center line of the pipe facing the wall (allowing for a 1/4" rise per foot of horizontal run). Example 10 ft of horizontal would require a rise of 2.5".

NOTE: ALLOWING THE VENT PIPE TO SLOPE DOWN TOWARDS THE VENT TERMINATION COULD CAUSE POOR COMBUSTION AND/OR HIGH TEMPERATURES THAT MAY PRESENT A FIRE HAZARD. Mark a 10" x 10" square around the center mark (inside dimensions).

Cut and frame the exterior wall to accept the wall penetration heat shield. Install the penetration shield using wood screws. If the wall being penetrated is constructed of non-combustible material a 7" hole sufficient for the vent pipe, is acceptable.

Caution: When installing the termination on to vinyl siding, a vinyl siding kit must be used. This prevents the termination from being recessed into the siding.

When the termination is to be attached to vinyl siding apply a bead of non-hardening mastic around the outside edge to form a seal between the standoff and the termination cap. Attach the termination cap to the exterior wall inserting four wood screws through the holes in the corner of the vent termination. Complete the installation by applying a bead of mastic around the outer edge of the vinyl standoff.

With the termination cap installed you can now connect the completed vent assembly by sliding the unit back towards the wall and carefully inserting the pipe into the terminal. Before the final connection is made slide on the decorative wall thimble. Secure the termination cap by securing the termination straps to the pipe as close to the exterior wall as possible using sheet metal screws. Ensure that the straps are hidden by the wall thimble cover. Apply decorative trim if required.

INSTALLATION INSTRUCTIONS Cont...**Vertical Installations**

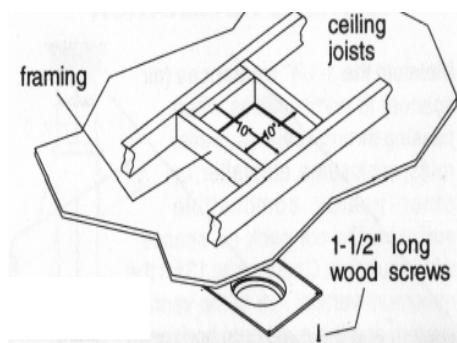
Always maintain the 1" clearance around the vent pipe (vertical), when passing through ceilings, walls, roofs, enclosures, attic rafters or any combustible surfaces.

DO NOT PACK AIR SPACES WITH INSULATION.

Refer to the vent chart for maximum allowable vertical and horizontal installations.

When planning your installation determine if ceiling joists, roof rafters or other framing will obstruct the vent system. You may have to use 45° elbows to navigate around any obstacles. When passing through a flat ceiling install a Box/Wall thimble. Cut a 10" square hole and frame as shown in the diagram opposite.

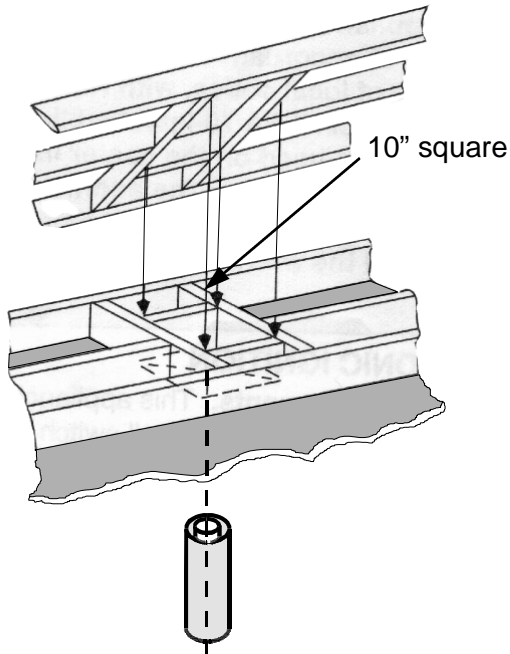
Ensure all pipe sections are fully twist locked.



NOTE: ALWAYS CHECK YOUR LOCAL CODES BEFORE INSTALLING VENTING. NECESSARY CLEARANCES AND REQUIRMENTS MAY VARY FROM STATE TO STATE (PROVINCE TO PROVINCE).

INSTALLATION INSTRUCTIONS Cont...**Through Roof Framing**

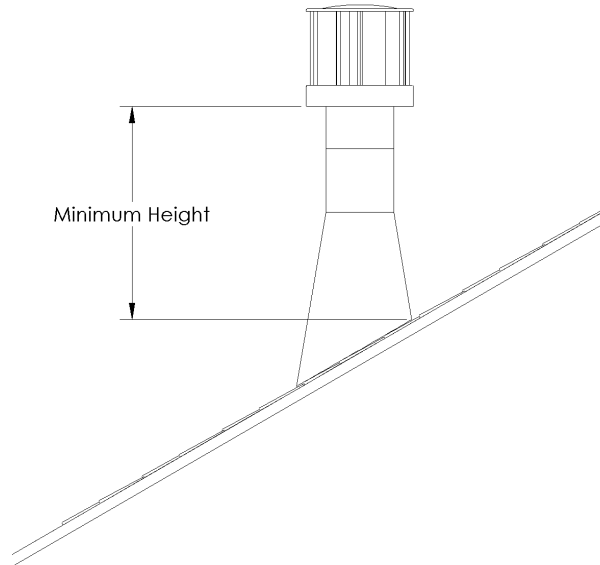
Maintain 10" opening relative to the pitch of the roof.



Use a suitable round or square support through the roof. Ensure adequate heat shield protection is provided.

Termination Above Roof

Consult local codes for minimum vent cap height above the roof, vent must be a minimum 2' from any wall.



install the flashing with upper portion slid under the roofing material and the lower portion over the roofing material.

Note: Do not fasten down until the final adjustments to the vent have been made.

INSTALLATION INSTRUCTIONS Cont...**VENTING - Rear Vent**

This appliance will not function without being connected to a proper venting system. This unit can be used with Selkirk (Direct-Temp), American Metal, Security Chimneys or Simpson Duravent 4" x 6-5/8" venting, but for the snorkel only the American Metal can be used. Read the manufacturer's installation instructions before installing the venting system.

WARNING: never mix parts from different systems.

Typical Installation (for rear vented appliance)

- 36"(max) horizontal vent pipe exiting wall behind the appliance and 36" snorkel (American Metal #4D36S only)
- One 45° elbow is allowed for corner installations (24" total length max).

VENTING - Top Vent

This appliance will not function without being connected to a proper venting system. This unit can be used with Selkirk (Direct-Temp), American Metal, Security Chimneys or Simpson Duravent 4" x 6-5/8" venting. Read the manufacturer's installation instructions before installing the venting system.

Typical Installation

- 24"(min) vertical vent pipe on top of the appliance,
- One 90° elbow, and up to 24" (max) horizontal run to the outside (with a 2' vertical rise).

Other installations

- Up to 4 - 90° elbows, or equivalent, maximum.
- Minimum 2' (610mm) straight length between bends.
- The total vertical height up to 30' (9.14 m) maximum
- **Use vent restrictor over 20' vertical height**
- The total horizontal run up to 16' (4.88m) maximum.
- Note: 2' (0.6m) minimum of vertical height required.

Note: Maximum vent lengths may be subject to local codes.

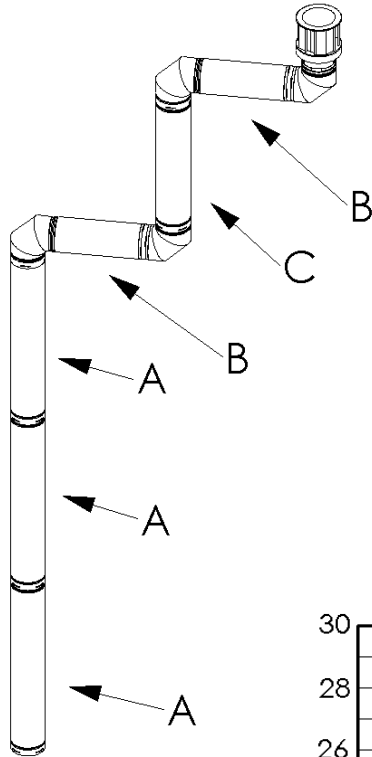
INSTALLATION INSTRUCTIONS Cont...

For best venting performance, here are some general venting rules:

1. Use only vent systems and components certified for use with this appliance
2. Maintain a minimum of 1" (26 mm) clearance to combustibles from the outside surfaces of vertical vents and minimum of 1" (26 mm) sides and bottom, and 2" (51 mm) from top surfaces of horizontal vents. Always use a wall thimble when passing through combustible construction.
3. Observe all local code restrictions, if any, regarding the installation of this type of gas appliance.
4. Observe the vent height and length restrictions given in this manual.
5. Never slope horizontal vents downwards.
6. Maintain at **least** an upward slope of 1/4" (7 mm) for every 1 ft (305 mm) of horizontal vent.
7. Terminate the vent with a termination certified for use with this appliance.
8. Support horizontal vent every 3 ft (915 mm) to prevent it from sagging.

INSTALLATION INSTRUCTIONS Cont...

TOP VENT VERTICAL VENTING



Example 1

V Value = 3A (12') + 1C (3') = 15'

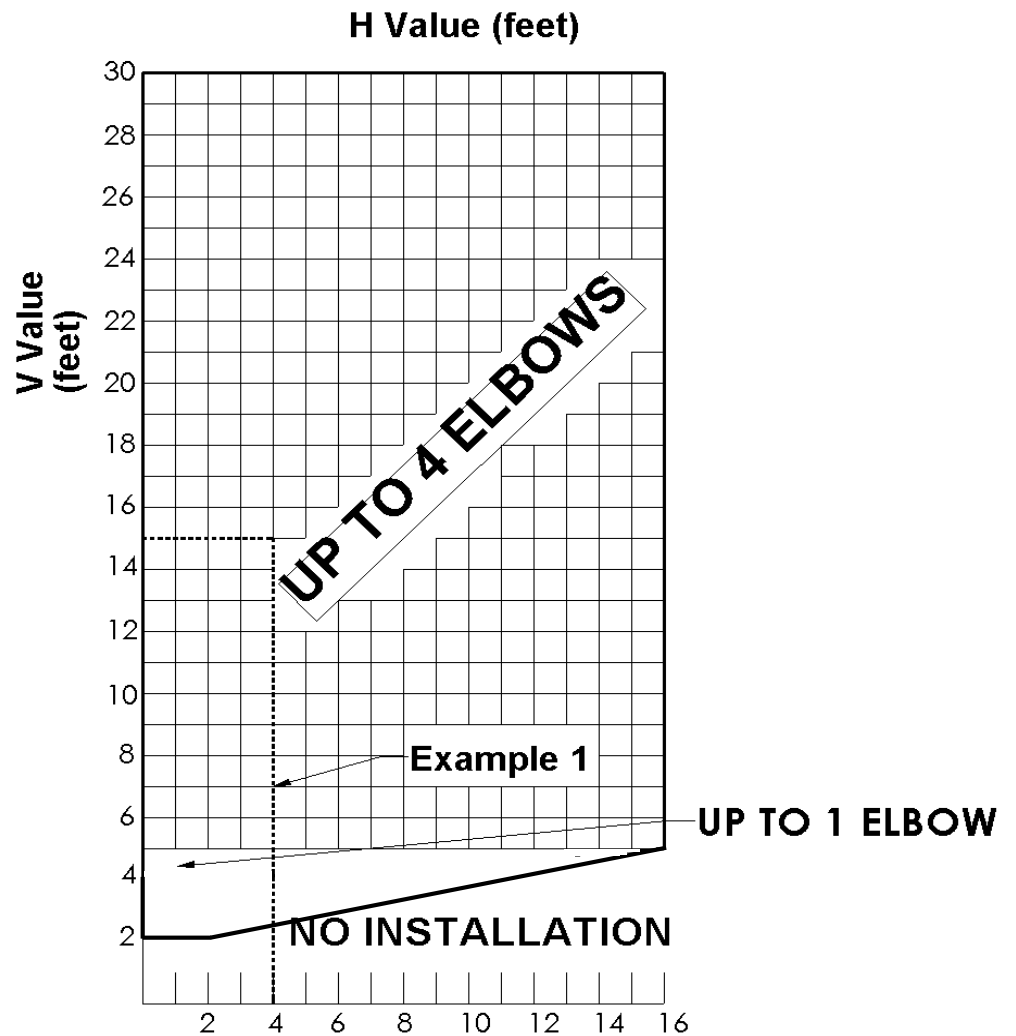
H Value = 2B (4') = 4'

V Value = Total length of all vertical sections in feet.

H Value = Total length of all horizontal sections in feet.

Note:

- for H & V values for 45° venting see Chart IV
- elbows are not counted in H or V values
- vent chart starts from the top of the unit



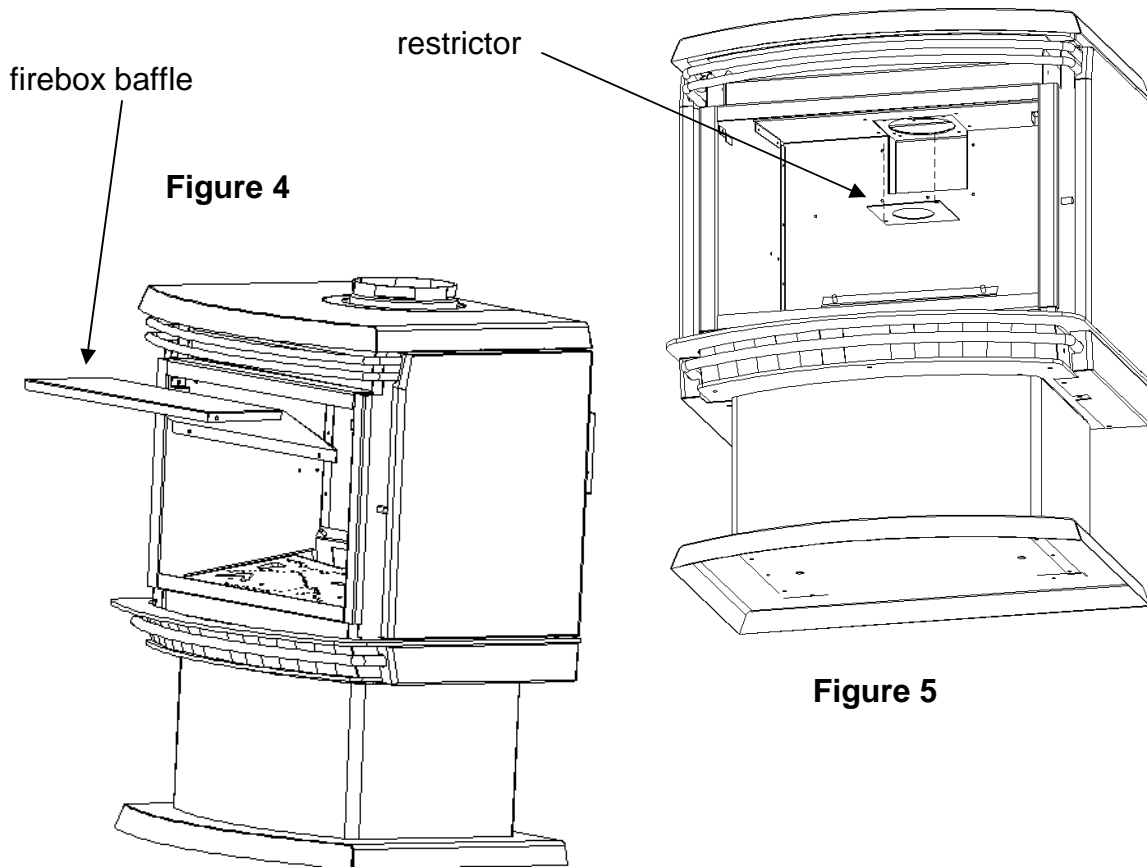
INSTALLATION INSTRUCTIONS Cont...**Vent Restrictor (P/N 1748)**

Due to the extra flow produced by certain venting configurations a vent restrictor must be placed in the vent to maintain performance. All top vent installations over 20' require the use of a 60% restrictor. The restrictor is installed in the exhaust of the appliance as shown in Figure's 4 & 5.

The rear vent configurations do not require a vent restrictor.

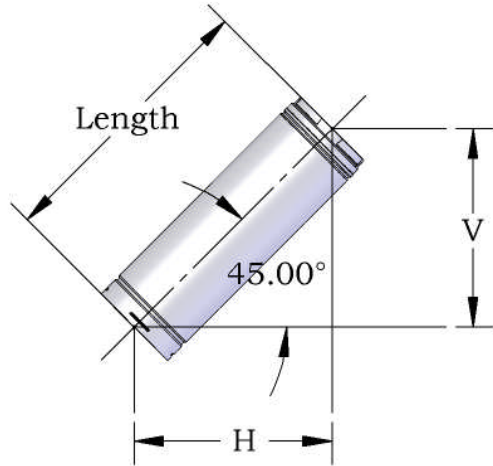
If a restrictor is necessary it can be installed in the following order:

1. Turn off the appliance and allow it to cool to room temperature.
2. Carefully remove the logs and brick panels and place them in a safe location.
3. Remove the firebox baffle (4 screws).
4. Install the vent restrictor in the exhaust (2 screws) as shown in Figure 5.
5. Install the firebox baffle.
6. Install the logs.



INSTALLATION INSTRUCTIONS Cont...

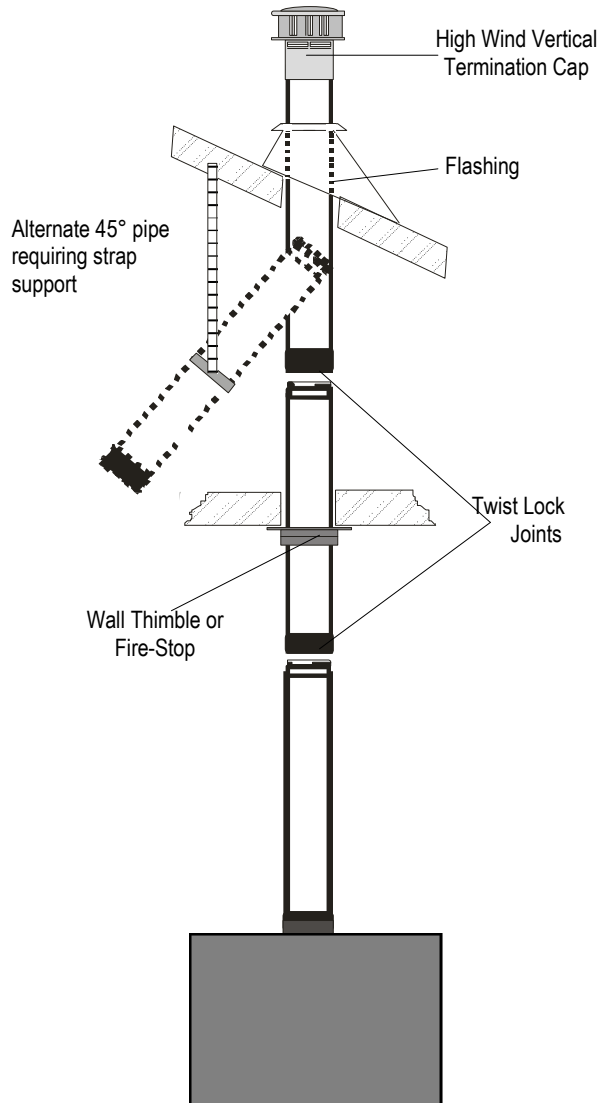
CHART IV



Length	V/H Value
2'	1' 3/8"
3'	2' 1/8"
4'	2' 7/8"

Chart IV

Typical vent Installation



THE TORINO

SIMPSON DURAVENT DIRECTVENT PRO / GS SYSTEM PARTS LIST		
Description	Part #	Old Part #
Horizontal Termination Kit - In Canada—Mandatory to add a wall thimble (46DVA-KHC.)	46DVA-KHA	971
Vertical Termination Kit	-	978
6" Pipe Length -Black	46DVA-06B	908B
6" Pipe Length –Galvanized	46DVA-06	908
8,5" Black Extension (3"-7")	46DVA-08AB	-
8,5" Galvanized Extension (3"-7")	46DVA-08A	-
9" Pipe Length-Black	46DVA-09B	907B
9" Pipe Length-Galvanized	46DVA-09	907
12" Pipe Length-Black	46DVA-12B	906B
12" Pipe Length-Galvanized	46DVA-12	906
16" Black Extension (3"-14.5")	46DVA-16AB	-
16" Galvanized Extension (3"-14.5")	46DVA-16A	-
24" Pipe Length-Black	46DVA-24B	904B
24" Pipe Length-Galvanized	46DVA-24	904
36" Pipe Length-Black	46DVA-36B	903B
36" Pipe Length-Galvanized	46DVA-36	903
48" Pipe Length-Black	46DVA-48B	902B
48" Pipe Length-Galvanized	46DVA-48	902
11"- 14 5/8" Adjustable Pipe Length-Black	-	911B
17"- 24" Adjustable Pipe Length-Black	-	917B
45° Elbow-Black	46DVA-E45B	945B, 945BG
45° Elbow-Galvanized	46DVA-E45	945, 945G
90° Elbow-Galvanized	46DVA-E90	990, 990G
90° Elbow-Black	46DVA-E90B	990B, 990BG
Vertical High Wind Termination Cap (must be used for all vertical terminations)	46 DVA-VCH	991
Horizontal. DV Termination with 1" return	-	984GL
Horizontal. Square Termination Cap	-	984
Horizontal. Square High Wind Termination Cap	46DVA-HC	985
Horizontal round termination cap	46DVA-HRCS	-
Sconce Termination Cap	46DVA-HSC	-
Wall Thimble Cover—Support Box	46DVA-DC	940
Cathedral Ceiling Support Box	46DVA-CS	941
Brass Trim fro Ceiling Support Box	-	3951
Firestop Spacer	46DVA-FS	963
Flashing 0/12-6/12	46DVA-F6	943
Flashing 7/12-12/12	46DVA-F12	943S
Storm Collar	46DVA-SC	953
Vinyl Siding Standoff	46DVA-VSS	950
Wall Strap	46DVA-WS	988
Wall Pen Heat Shield (Wall Thimble)	46DVA-WT	942

THE TORINO

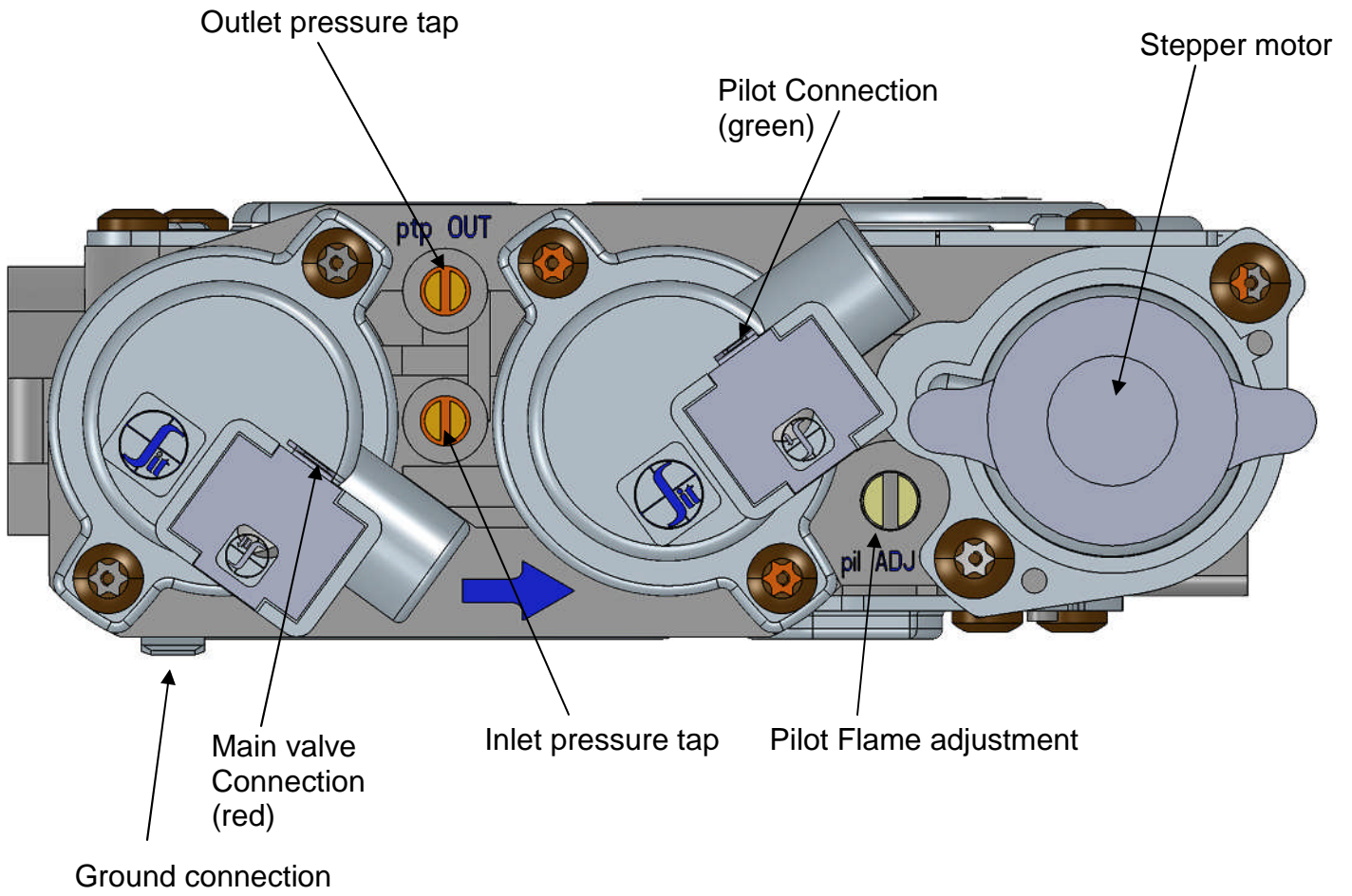
SELKIRK PARTS LIST	PART NUMBER	DESCRIPTION
<i>4" x 6 5/8" LENGTHS</i>		
1604006	4DT- 6	DIRECT-TEMP 6" PIPE LENGTH
1604006B	4DT- 6B	DIRECT-TEMP 6" PIPE LENGTH BLACK
1604009	4DT- 9	DIRECT-TEMP 9" PIPE LENGTH
1604009B	4DT- 9B	DIRECT-TEMP 9" PIPE LENGTH BLACK
1604012	4DT-12	DIRECT-TEMP 12" PIPE LENGTH
1604012B	4DT-12B	DIRECT-TEMP 12" PIPE LENGTH BLACK
1604018	4DT-18	DIRECT-TEMP 18" PIPE LENGTH
1604018B	4DT-18B	DIRECT-TEMP 18" PIPE LENGTH BLACK
1604024	4DT-24	DIRECT-TEMP 24" PIPE LENGTH
1604024B	4DT-24B	DIRECT-TEMP 24" PIPE LENGTH BLACK
1604036	4DT-36	DIRECT-TEMP 36" PIPE LENGTH
1604036B	4DT-36B	DIRECT-TEMP 36" PIPE LENGTH BLACK
1604048	4DT-48	DIRECT-TEMP 48" PIPE LENGTH
1604048B	4DT-48B	DIRECT-TEMP 48" PIPE LENGTH BLACK
1604082	4DT-AJ12	DIRECT-TEMP 12" ADJ PIPE LENGTH
1604082B	4DT-AJ12B	DIRECT-TEMP 12" ADJ PIPE LENGTH BLACK
1604084	4DT-AJ14	DIRECT-TEMP TELESCOPE ADJ LENGTH
1604084B	4DT-AJ14B	DIRECT-TEMP TELESCOPE ADJ LEN BLACK
<i>4" x 6 5/8" FITTINGS</i>		
1604215	4DT-EL45	45 DEGREE ELBOW
1604215B	4DT-EL45B	45 DEGREE ELBOW BLACK
1604230	4DT-EL90S	90S DEGREE ELBOW
1604230B	4DT-EL90SB	90S DEGREE ELBOW BLACK
<i>4" x 6 5/8" ACCESSORIES</i>		
1604460B	4DT-WTB	WALL THIMBLE BLACK
1604500	4DT-FS	FIRESTOP SPACER
1604502	4DT-TP	TRIM PLATE BLACK
1604806	4DT-VS	VINYL SIDING STANDOFF
<i>4" x 6 5/8" SUPPORTS</i>		
1604400	4DT-CS	CEILING SUPPORT
1604424	4DT-CCS	CATHEDRAL SUPPORT BOX
1604430	4DT-WS/B	WALL SUPPORT/BAND
1604435	4DT-OS	OFFSET SUPPORT
<i>4" x 6 5/8" TERMINATIONS AND FLASHINGS</i>		
1604620	4DT-VKC	VERTICAL TERMINATION KIT
1604621	4DT-HKA	HORIZONTAL TERMINATION KIT "A"
1604622	4DT-HKB	HORIZONTAL TERMINATION KIT "B"
1604802	4DT-VC	HIGH WIND VERTICAL CAP
1604804	4DT-HC	HIGH WIND HORIZONTAL CAP
1604810	4DT-SC	STORM COLLAR
1604825	4DT-AF6	ADJ FLASH 0/12-06/12
1604830	4DT-AF12	ADJ FLASH 6/12-12/12

THE TORINO

AMERICAN METAL PRODUCTS COMPONENTS LIST	
Description	Part #
7" Pipe Length	4D7
12" Pipe Length	4D12
2' Pipe Length	4D2
3' Pipe Length	4D3
4' Pipe Length	4D4
4" - 10" Adjustable Length	4D12A
45° Elbow	4D45L
90° Elbow	4D90L
Vertical Termination	4DVC
Horizontal Termination	4DHC
36" Snorkel	4D36S
Wall Thimble	4DWT
Wall Strap	4DWS
Firestop Support Plate	4DFSP
Faceplate, Ceiling Support / Wall Thimble	4DFPB
Roof Support	4DRSB
Storm Collar	4DSC
Standard Flashing	4DF
Steep Pitch Flashing	4DF12
Attic Insulation Shield	4DAIS12
SECURITY VENTING COMPONENTS LIST	
6" Pipe Length	SV4L6
12" Pipe Length	SV4L12
24" Pipe Length	SV4L24
36" Pipe Length	SV4L36
48" Pipe Length	SV4L48
6" Adjustable Length	SV4LA
12" Adjustable Length	SV4LA12
45° Elbow	SV4E45
90° Elbow	SV4E90
Wall Band	SV4BM
Insulated Attic Shield	SV4RSA
Wall Shield	SV4RSM
Firestop	SV4BF
Adjustable Roof Flashing 1/12 — 7/12	SV4FA
Horizontal Termination	SV4CHC
Vertical Termination	SV4CGV

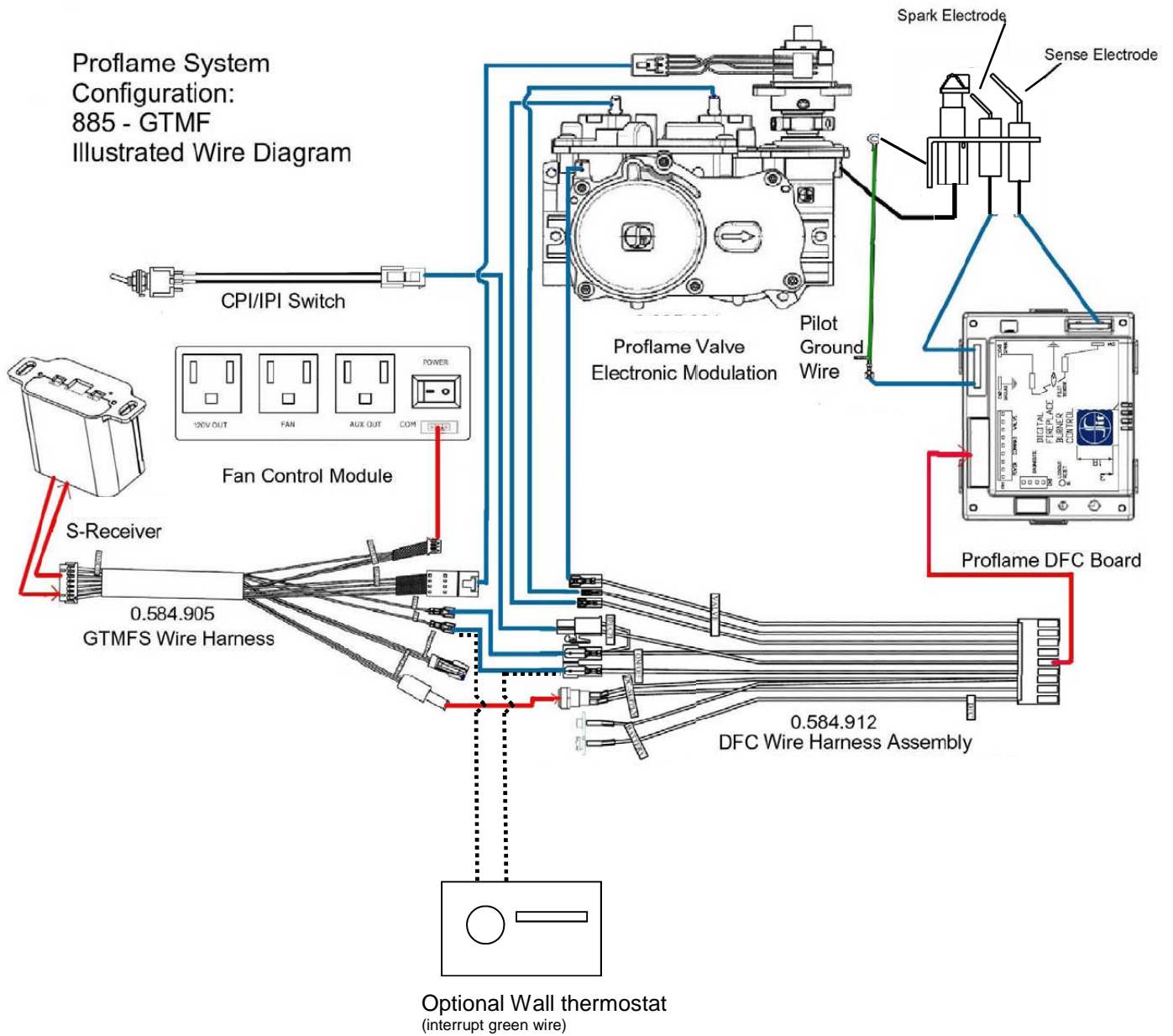
INTERMITTENT PILOT & VALVE

SIT 885 Proflame Valve



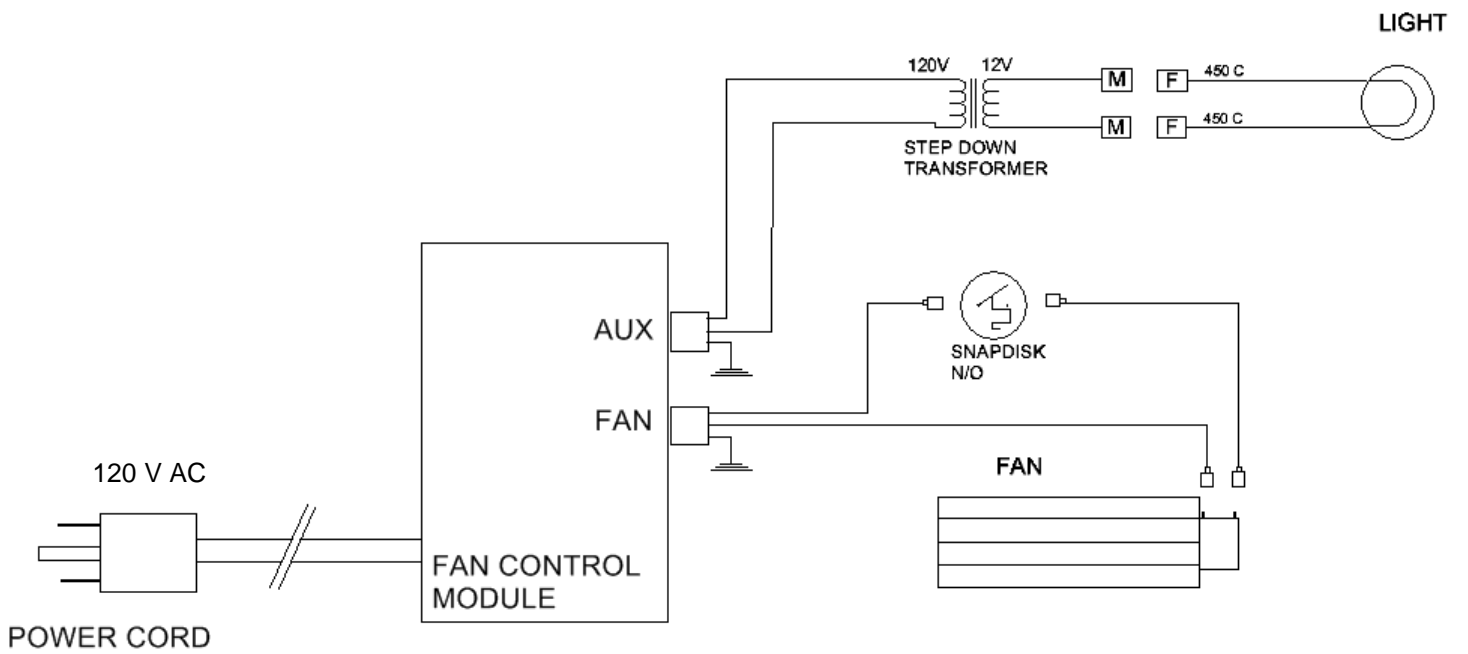
INTERMITTENT PILOT & VALVE

Proflame System Configuration:
885 - GTMF
Illustrated Wire Diagram



WIRING DIAGRAM

120/12V CIRCUIT



LIGHTING INSTRUCTIONS - Intermittent Pilot

FOR YOUR SAFETY, READ BEFORE LIGHTING

WARNING: If you do not follow these instructions exactly, a fire or explosion may result causing property damage, personal injury or loss of life.

- A. This appliance is equipped with an ignition device which automatically lights the pilot. Do not try to light the pilot by hand.
- B. BEFORE LIGHTING smell all around the appliance area for gas. Be sure to smell next to the floor because some gas is heavier than air and will settle on the floor.
WHAT TO DO IF YOU SMELL GAS:
 - Do not try to light any appliance.
 - Do not touch any electric switch; do not use any phone in your building.
 - Immediately call your gas supplier from a neighbor's phone. Follow the gas supplier's instructions.
 - If you cannot reach your gas supplier, call the fire department.
- C. Do not use this appliance if any part has been under water. Immediately call a qualified service technician to inspect the appliance and to replace any part of the control system and any gas control which has been under water.

LIGHTING INSTRUCTIONS

1. **STOP!** Read the safety information above on this label.
2. Set the thermostat to the lowest setting.
3. Turn off all electric power to the appliance.
4. Do not attempt to light the pilot by hand.
5. Wait five (5) minutes to clear out any gas. Then smell for gas, including near the floor. If you smell gas, STOP! Follow "B" in the safety information above on this label. If you don't smell gas, go to the next step.
6. Turn on all electric power to the appliance.
7. You must now synchronize the remote with the Receiver/Battery Pack (for 1st time use) by pressing the PRG button on the Battery Pack (fig. 1 (Battery Pack is situated behind the Pedestal front or Louvers)) followed by pressing the "ON" button on the Remote.
8. Press the "ON" button on the Remote (fig. 2) or if not using the Remote turn the switch on the Battery Pack to the "ON" position (see figure 1).
9. If the appliance will not operate, follow the instructions "To Turn Off Gas To Appliance" and call your service technician or gas supplier.

TO TURN GAS OFF TO APPLIANCE

1. Press the "OFF" button on the remote or if not using the remote turn the switch on the battery pack to the "OFF" position. (See fig. 1)
2. Turn off all electric power to the appliance.

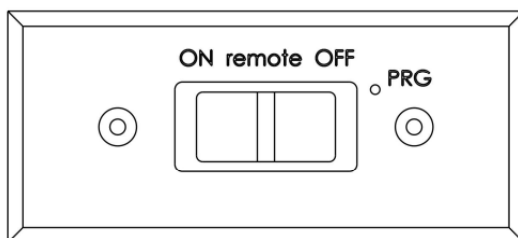


FIG 1: RECEIVER / BATTERY PACK

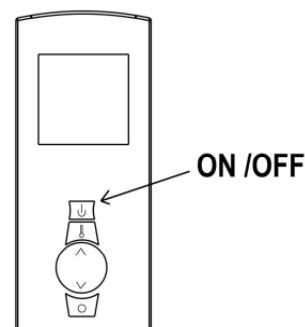


FIG 2: REMOTE CONTROL

HANDHELD THERMOSTAT REMOTE CONTROL-operation instructions

OPERATING PROCEDURE

Initializing the System for the first time

Install the 4 AA batteries into the receiver battery bay. Note the polarity of the battery and insert into the battery bay as indicated on the Battery cover (+/-). Place the 3 position slider switch in the "Remote" position. (fig. 3) Using the end of a paper clip, or other similar object, insert the end of the paper clip into the hole marked "PRG" on the Receiver front cover (fig 3). The Receiver will "beep" three (3) times to indicate that it is ready to synchronize with a Transmitter. Install the 3 AAA type batteries in the Transmitter battery bay, located on the base of the Transmitter. With the batteries already installed in the Transmitter, push the On button. The Receiver will "beep" four times to indicate the Transmitter's command is accepted and sets to the particular code of that Transmitter. The system is now initialized.

Temperature indication Display

With the system in the "OFF" position, press the Thermostat Key and the Mode Key at the same time. Look at the LCD screen on the Transmitter to verify that a C or F is visible to the right of the Room Temperature display. (Fig. 6)

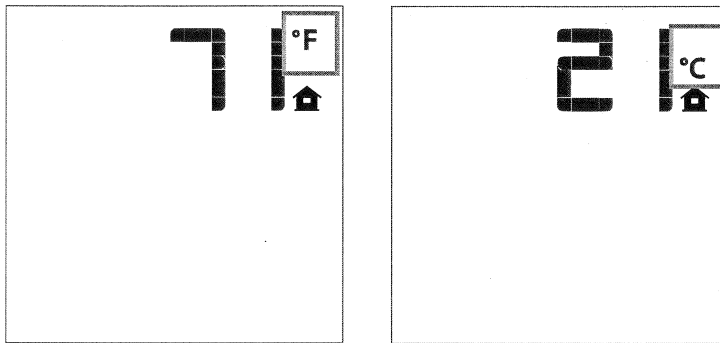


Fig. 6: Remote Control display in Farenheit and Celsius.



Fig. 3: Receiver body

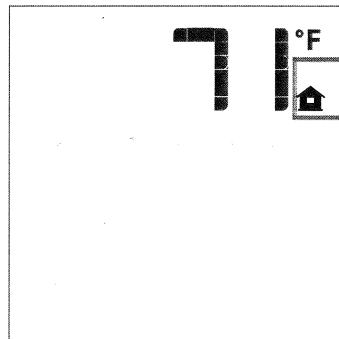


Fig. 7: Remote Control display.

Turn on the Appliance

Press the ON/OFF Key on the Transmitter. The Transmitter display will show all active Icons on the screen. At the same time the Receiver connects the thermopile to the gas valve millivolt coil and the appliance main burner turns on. A single "beep" from the Receiver will confirm reception of the command.

Turn off the Appliance

Press the ON/OFF Key on the Transmitter. The Transmitter LCD display will only show the room temperature and Icon (Fig. 7). At the same time the Receiver disconnects the thermopile from the gas valve millivolt coil and the appliance burner turns off. A single "beep" from the Receiver confirms reception of the command.

HANDHELD THERMOSTAT REMOTE CONTROL-operation instructions

Remote Flame Control

The proflame GTMF has six (6) flame levels. With the system on, and the flame level at the maximum in the appliance, pressing the Down Arrow Key once will reduce the flame height by one step until the flame is turned off.

The Up Arrow Key will increase the flame height each time it is pressed. If the Up Arrow Key is pressed while the system is on but the flame is off, the flame will come on in the high position. (Fig. 8 & 9) A single "beep" will confirm reception of the command.

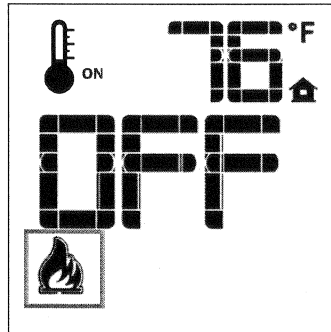
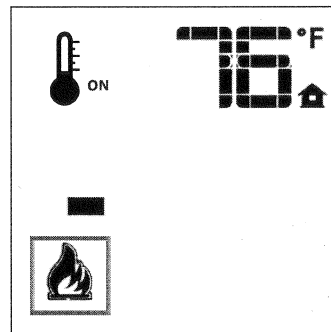


Fig. 8: Flame Off



Flame Level 1

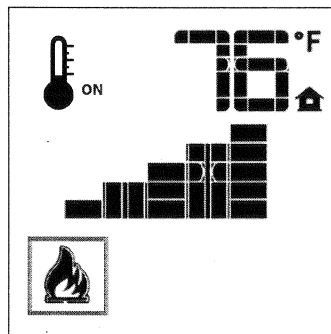
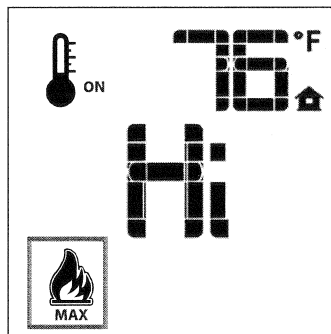


Fig. 9: Flame level 5



Flame Level Maximum

ROOM THERMOSTAT (Transmitter Operation)

The Remote Control can operate as a room thermostat. The thermostat can be set to a desired temperature to control the comfort level in a room.

To activate this function, press the Thermostat Key (Fig. 1). The LCD display on the Transmitter will change to show that the room thermostat is "ON" and the set temperature is now displayed (Fig. 10). To adjust the set temperature, press the Up or Down Arrow Keys until the desired set temperature is displayed on the LCD screen of the Transmitter.

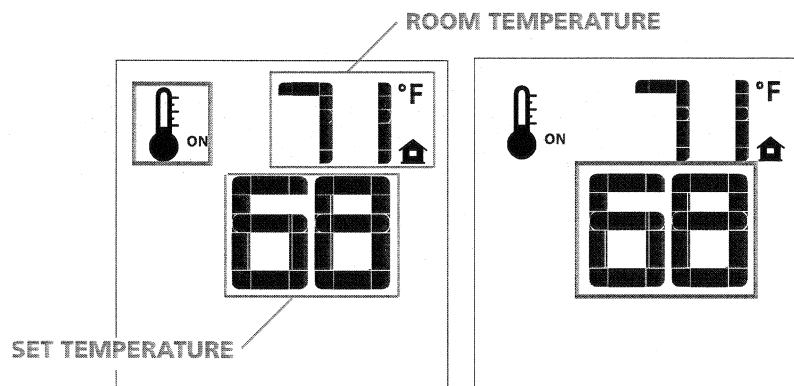


Fig. 10

Fig. 11

HANDHELD THERMOSTAT REMOTE CONTROL-operation instructions

Smart Thermostat (Transmitter Operation)

The Smart Thermostat function adjusts the flame height in accordance to the difference between the set point temperature and the actual room temperatures. As the room temperature gets closer to the set point the Smart Function will modulate the flame down. To activate this function, press the Thermostat Key (Fig. 1) until the word "SMART" appears to the right of the temperature bulb graphic (Fig. 12). To adjust the set temperature, press the Up or Down Arrow Keys until the desired set temperature is displayed on the LCD screen of the Transmitter (Fig. 13).

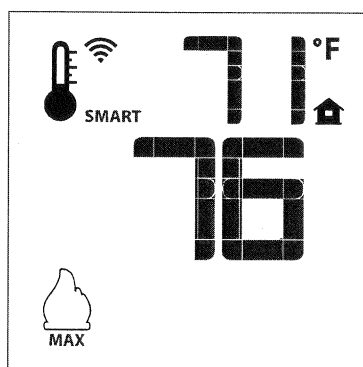


Fig. 12: Smart flame function

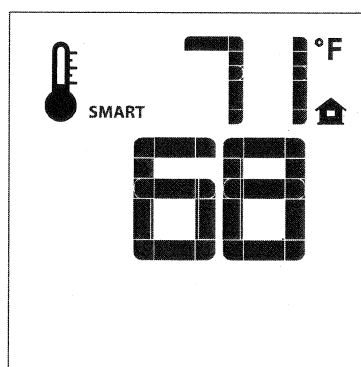


Fig. 13

Fan Speed Control

If the appliance is equipped with a hot air circulating fan, the speed of the fan can be controlled by the Proflame system. The fan speed can be adjusted through six (6) speeds. To activate this function use the Mode Key (fig.1) to index to the fan control icon (Fig. 14). Use the Up/Down Arrow Keys (Fig.1) to turn on, off or adjust the fan speed (fig. 15). A single "beep" will confirm reception of the command.

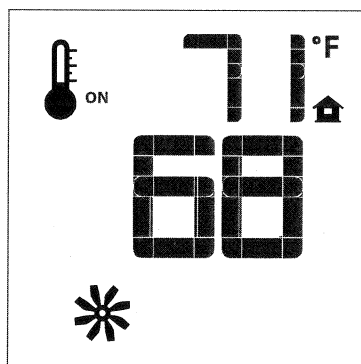


Fig. 14

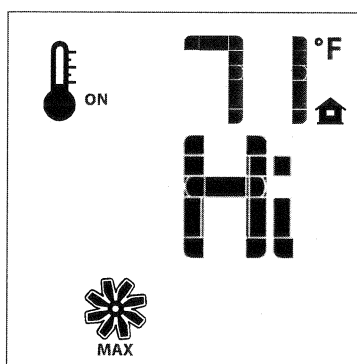


Fig. 15

HANDHELD THERMOSTAT REMOTE CONTROL-operation instructions

Remote Actuated 120V Auxiliary Outlet

The auxiliary function controls the AUX power outlet on the Fan Control Module. To activate this function use the Mode Key (fig. 1) to index to the AUX icon (fig. 16 & 17). Pressing the Up Arrow Key will activate the outlet. Pressing the Down Arrow Key will turn the outlet off. A single "beep" will confirm the reception of the command.

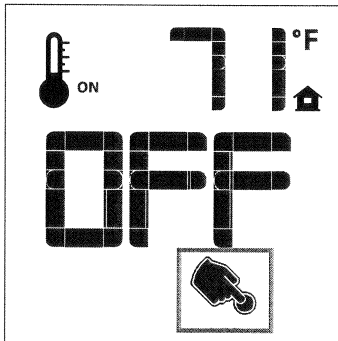


Fig. 16

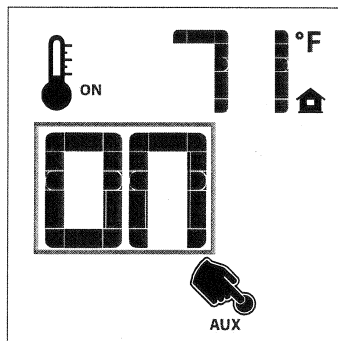


Fig. 17

Key lock

This function will lock the keys to avoid unsupervised operation.

To activate this function, press the MODE and UP Keys at the same time (fig. 18).

To de-activate this function, press the MODE and UP Keys at the same time.

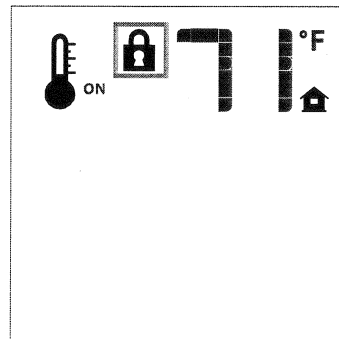


Fig. 18

LOW BATTERY POWER DETECTION

Transmitter

The life span of the remote control batteries depends on various factors: quality of the batteries used, the number of ignitions of the appliance, the number of changes to the room thermostat set point, etc.

When the Transmitter batteries are low, a Battery Icon will appear on the LCD display of the Transmitter (Fig. 19) before all battery power is lost. When the batteries are replaced this icon will disappear.

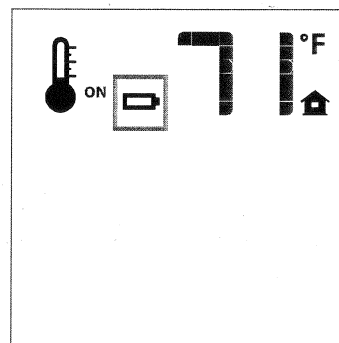


Fig. 19

Receiver

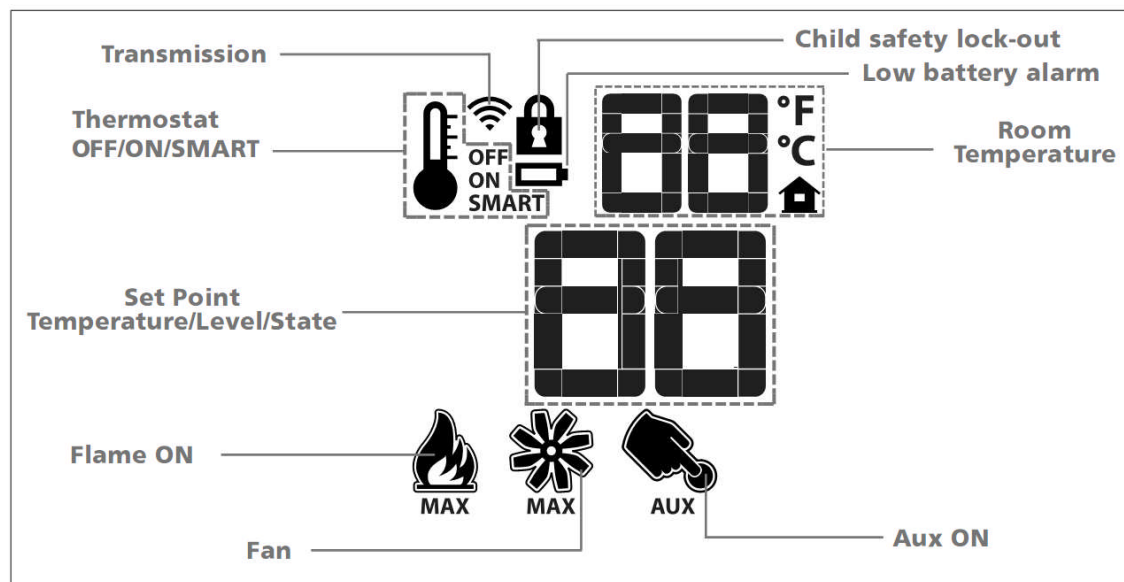
The life span of the Receiver batteries depends on various factors: quality of the batteries used, the number of ignitions of the appliance, the number of changes to the room thermostat set point, etc.

When the Receiver batteries are low, No "beep" will be emitted from the Receiver when it receives an On/Off command from the Transmitter. This is an alert for a low battery condition for the Receiver. When the batteries are replaced the "beep" will be emitted from the Receiver when the ON/OFF Key is pressed (See Initialization of The System).

HANDHELD THERMOSTAT REMOTE CONTROL-operation instructions

MANUAL BYPASS OF THE REMOTE SYSTEM

If the batteries of the Receiver or Transmitter are low or depleted, the appliance can be turned on manually by sliding the three position slider switch on the Receiver to the ON position. This will bypass the remote control feature of the system and the appliance main burner will come on if the gas valve is in the "On" position.



Continuous pilot

The pilot on this unit will light automatically when turning the unit on. If a standing pilot is preferred (especially in cold weather), the pilot can be run continuously by switching the continuous pilot switch to the ON position. The switch is located behind the pedestal cover, above the Receiver / Battery pack.

MAINTENANCE

CAUTION :Do not conduct maintenance on the appliance while it is operating or while it is still hot.
Make sure switch on the Battery pack / Receiver is in OFF position.
Turning the electric supply off will not prevent unexpected ignition !!

CLEANING THE APPLIANCE

The exterior surfaces and glass may be cleaned with a soft, non-abrasive cloth and water or a suitable, mild, non-abrasive cleaner.

Regularly,

- Clean and remove any lint accumulations or debris from the grills and in any combustion and convection air passage ways.
- Keep the appliance area free from combustible materials, such as paper, wood, clothing, gasoline and flammable solids, liquids and vapors.
- Check for unusual noise, odor and operation of the appliance.
- Check the vent terminal for any damage, or obstruction by plants or debris accumulation.
- Visually check the height and color of the burner and pilot flames.

Once a Year have a qualified service technician,

- Completely inspect the appliance and the venting system.
- Clean and remove any lint accumulations or debris in the firebox, on the burners, on the pilot, at the primary air opening, on the convection air blower and in any combustion and convection air passage ways (See page 40 for fan removal and installation)
- Check the safety system of the gas valve.

WARNING : All parts removed or disturbed must be properly replaced after maintenance. Service and repair must be conducted by a qualified service person. If these instructions are not followed, a fire or explosion may result, causing property damage, personal injury or loss of life.

VERIFY PROPER OPERATION AFTER SERVICING.

MAINTENANCE

PLATING:

1. The plating requires little maintenance and needs only to be cleaned with a soft damp cloth. **Do not use any abrasive cleaning materials.**
2. Avoid fingerprints on gold. Wipe off fingerprints before firing.

DOOR :

Check the gasket to see that it is still forming a seal. Replace gasket if there is any sign of wear.

VIEWING GLASS REPLACEMENT:

This appliance is supplied with high temperature 5mm high temperature ceramic glass that will easily withstand the heat your unit was designed to produce. In the event the glass breaks, contact your dealer or BLAZE KING to arrange for your glass to be replaced / repaired.

IMPORTANT - GLASS CLEANING - WHITE MINERAL DEPOSITS

One of the byproducts of the combustion process in a gas appliance, is a mineral which can show up as a white film on the ceramic glass of the viewing door. The composition of the deposit varies widely from various locations and also from time to time in the same location. You may have the problem for a time and then not see it for many months when it will reappear in your area. It seems this is associated with the varying sulfur content of the gas. We have discussed this problem with ceramic glass manufacturers and they cannot give us a definitive answer to this problem. Dealers have tried various cleaning products with varying results. The following recommendations will not guarantee results in your particular case.

Ensure the stove is completely cooled before any glass service work is attempted. Make sure switch on the Battery pack / Receiver is in OFF position.

Turning the electric supply off will not prevent unexpected ignition !!

Clean the glass regularly as soon as you notice the buildup (white film). If the film is left for a long period of time build up will bake on. It is then much harder, if not impossible, to remove.

1. NEVER use an abrasive cleaner on the ceramic glass. Any abrasion of the surface has the immediate effect of lessening the strength of the glass. An emulsion type cleaner is recommended.
2. Use a soft damp cloth to apply the cleaner. Dry the glass with a soft, dry, preferably cotton cloth. Most paper towels and synthetic materials are abrasive to ceramic glass and should be avoided.
3. Our dealers have had good results from the products listed below. We can not however guarantee the results of these products.

a) BRASSO	b) POLISH PLUS by KEL KEM
c) COOK TOP CLEAN CREME by ELCO	d) WHITE OFF by RUTLAND

NOTE: This is a problem beyond Blaze King's control and is not covered under warranty.

NOTICE: COLD WEATHER OPERATION

When using any gas appliance (LPG or NAT Gas) water is a byproduct of the combustion process. Under normal conditions this moisture is expelled through the vent into the atmosphere and does not cause any harm. In extreme cold weather the vapor may condense and freeze on any exposed surface it comes into contact with. This can cause a problem by restricting or blocking the vent, particularly with direct vent wall terminations as the exhaust is only a few inches away from the outside wall surface. What happens to the moisture after it leaves the vent cannot be controlled by the manufacturer. To extend the vent further out from the wall can sometimes but not always be an advantage. Extending the vent out from the wall may present other design problems such as ice falling from the eaves above. It is the homeowners responsibility to ensure that there is not an excessive build-up of ice on the termination.

CAUTION: WHEN OPERATING YOUR APPLIANCE DURING COLD WEATHER YOU MUST FREQUENTLY CHECK THE EXHAUST CAP FOR EXCESSIVE ICE BUILD UP.

If the appliance begins to operate abnormally—Poor flame pattern, shutting down, etc..., this could be an indication of ice build up.

SERVICING

SERVICING UNDER WARRANTY

Before servicing, read the terms and conditions of the Blaze King warranty at the back of this manual. Contact the Blaze King authorized dealer which you purchased the appliance from and provide him with details of the problem and the installation information which the installer filled out at the back of the manual.

WARNING: Servicing of this appliance must be conducted by a qualified service technician. Improper servicing, adjustment or alteration of this appliance may cause property damage, personal injury or loss of life. All servicing should be conducted with the appliance cold.

ADJUSTING PRIMARY AIR

- Remove the pedestal front to gain access to the air shutter screws (there are 2).
- Loosen the primary air shutter wing nuts, found on the firebox bottom (**caution, make sure unit is not hot as burns may result**).
- Sliding the shutter levers back increases aeration while sliding the levers forward decreases aeration.
- Tighten wing nuts.

CHANGING MAIN BURNER ORIFICE

- Remove the glass door, logs and firebox liner panels.
- Remove the burner.
- Use a 1/2" wrench to unscrew the orifices
- Change the orifices. Do not over tighten.
- Replace all parts in reverse order and properly set the primary air shutters according to the specifications.
- Check for leaks.

CHECKING INLET AND OUTLET GAS PRESSURE

- The pressure test taps are located on the valve.
- The taps are located in the front.
- Loosen the set screw inside the tap with a 1/8" wide flat screw driver.
- Connect a 1/4" rubber tube to the tap and a pressure gauge.
- Be sure to tighten the set screw inside the tap after you are finish taking pressure readings.

SERVICING Cont...

REPLACING MAJOR GAS COMPONENTS

If any of the major gas components need to be replaced, such as the pilot or the gas valve, we recommend replacing the complete gas component assembly. The assembly is designed to be quickly and easily replaced with minimal inconvenience to the customer. Once replaced, the service technician can repair the defective assembly safely and comfortably in his shop and with the right tools and test equipment. We encourage our authorized dealers to keep a few replacement gas component assemblies at hand for quick servicing.

Replacing Gas Component Assembly

- Disconnect the gas and electricity to the appliance. Let the appliance cool to room temperature.
- Shut off the gas supply to the appliance and disconnect the gas line to the appliance.
- Remove the logs and burner.
- Remove the pedestal base cover and pedestal back.
- Remove the screws holding the gas component assembly to the appliance firebox bottom.
- Gently remove the assembly through the pedestal back.
- Replacing the assembly is the reverse of the above instructions.

* Check the tray sealing gasket. Replace if damaged.

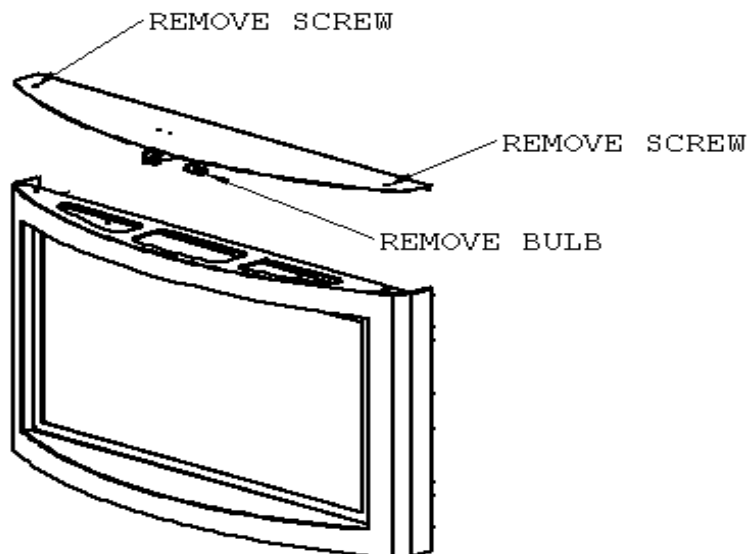
REPLACING HALOGEN LIGHT BULB

The light is situated at the top of the door. Replace with the light bulb specified in the replacement parts list on page 46. To replace the light bulb follow these instructions:

Ensure the stove is completely cooled before you change the bulb. Make sure switch on the Battery pack / Receiver is in OFF position.

Turning the electric supply off will not prevent unexpected ignition !!

1. Turn off electric supply
2. Open the right side panel.
3. Unhook the door latch.
4. Swing the door open.
5. Using a screw driver, remove the two screws on top of the door
6. Carefully lift up the top (be careful with the attached wires)
7. Remove old bulb by pulling straight out, to insert new bulb, push straight in. (Avoid touching glass with bare hands, hold bulb with clean cloth or tissue)
8. Screw top back on, close door securely with door latch and turn power back on.



FUEL CONVERSION

“WARNING”

This conversion kit shall be installed by a qualified service agency in accordance with the manufacturer’s instructions and all applicable codes and requirements of the authority having jurisdiction. If the information in these instructions is not followed exactly, a fire, explosion or production of carbon monoxide may result causing property damage, personal injury or loss of life. The qualified service agency is responsible for the proper installation of this kit. The installation is not proper and complete until the operation of the converted appliance is checked as specified in the manufacturer’s instructions supplied with the kit.

Conversion Kit Contents

This conversion kit contains the following parts:

- 1) Z0755P (LPG)> # 59 orifice for the right orifice, # 53 orifice for the left and LPG Stepper motor kit
- 2) Z0755 (NG)> # 52 orifice for right orifice, # 39 orifice for left and NG Stepper motor kit
- 3) Conversion Kit labels

To convert from NG to LPG or reverse, follow the next steps.

- Replace orifices, see page 38 for Burner tray removal & installation.
- Replace stepper motor (see next page).
- Convert pilot fuel (see instructions below)

How to convert Pilot fuel:

Use a 7/16” wrench to loosen the pilot hood
 Push the little tab in and the little tab with hole should pop out.
 The hole stamp tab (LP) out is used for Propane
 The stamped tab (NA) out is for Natural Gas
 Re-tighten the pilot hood.

Fill out the fuel conversion label on the appliance (inside side doors)

See page 9 for proper pilot and burner flame pictorials.

All valves have been pre-set and certified for installation at elevations from 0 – 4500 feet (1 – 1372m) above sea level.

High Elevations

When installing this unit at higher elevations, it is necessary to decrease the input rating by replacing the existing burner orifice with a smaller size for installations over 2000 feet (608 m). The appliances input should be reduced 4% for each additional 1000 feet (305 m) above sea level. For the USA, derate the unit from sea level according to the gas installation code.

Altitude	Natural Gas Orifice Size		Propane Orifice Size	
	Right	Left	Right	Left
0 – 4,500 ft (0 – 1372 m)	52	39	59	53
4,500 – 6,500 ft (1372 – 1981 m)	53	40	60	54
6,500 – 8,000 ft (1981 – 2438 m)	54	41	61	55

FUEL CONVERSION

STEPPER MOTOR PRESSURE REGULATOR CONVERSION KIT INSTALLATION OR REPLACEMENT INSTRUCTIONS.

Verify that the following items are present in the package.

- Pressure regulator assembly (E)
- Two (2) screws (F)
- Identification label (G)
- Installation instructions (this document).

- 1** Shut off the gas supply to the valve and shut down the electric supply.
- 2** See Fig. 1. Using a Torx T20, or slotted screwdriver, remove and discard the two (2) pressure regulator mounting screws (A), pressure regulator tower (B), and the spring and diaphragm assembly (C), (If applicable).
- 3** Ensure the rubber gasket (D), which is prefitted as part of assembly (E), is properly positioned, see Fig. 2, otherwise fit the gasket as shown Fig. 2.
- 4** Install the new STEPPER MOTOR pressure regulator assembly, as shown in Fig. 3 and Fig. 4. Use the supplied screws (F), M4 x 0.7 threaded, length of thread $L=(16\text{ mm} + 0 - 0.5\text{ mm})$, steel material, resistance class 8.8 (see Fig. 5).
- 5** Manually thread the two conversion kit mounting screws into the valve body. Use a standard screwdriver or T20 Torx bit and tighten to the screws with a fixing torque of $25\text{lb-in} \pm 5\%$.
IN THE EVENT THAT THE THREADS OF THE VALVE ARE STRIPPED OR DAMAGED, **REPLACE THE VALVE.**
- 6** Install the enclosed identification label (G) to the valve body where it can be easily seen.
- 7** Make STEPPER MOTOR and valve electrical connections, apply gas to system and relight appliance according to manufacturers instructions.
- 8** With the main burner "ON", test the new pressure regulator assembly for leaks using a soap solution.
- 9** Relight the main burner and verify proper burner ignition and operation.

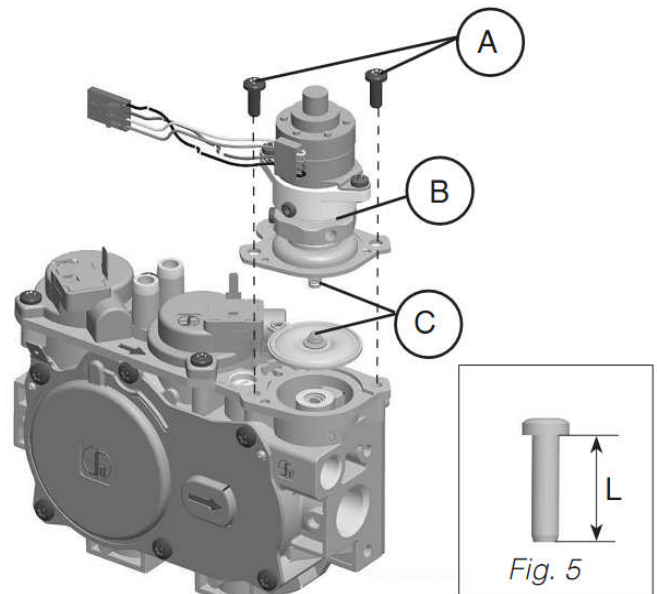


Fig. 1

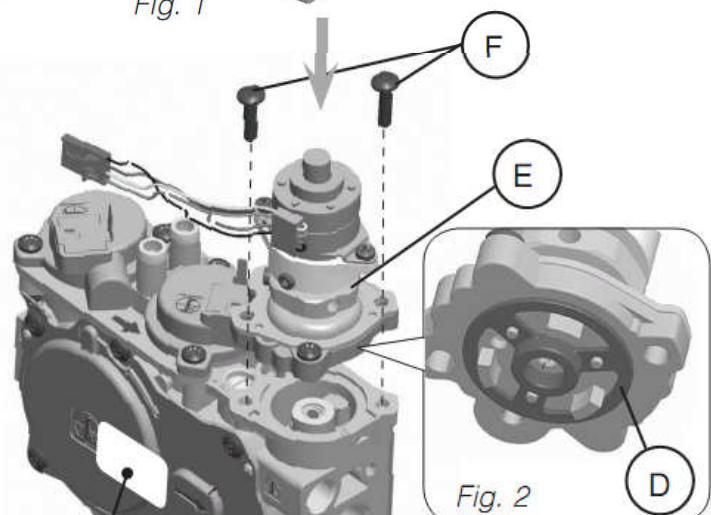


Fig. 2



Fig. 3

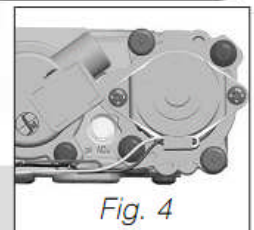


Fig. 4

WARNING!
Installation should be carried out in a clean environment.

WARNING!
This modulating conversion kit must **ONLY** be applied as part of a conversion kit supplied by the **APPLIANCE MANUFACTURER** for the specific appliance, and type of gas, being converted.

WARNING!
Correct operation of the system cannot be guaranteed if the conversion kit or valve has been dropped or has sustained a strong impact.

INSTALLER NOTICE. These instructions must be left with appliance.

BURNER TRAY REMOVAL AND INSTALLATION

To remove the burner tray from the firebox, follow these steps:

1. Disconnect the gas and electricity to the appliance
2. Open door
3. Take out logs and brick panels
4. Unscrew the two screws holding the burner in place (see fig 10b)
5. Lift out burner at front and take out of firebox

Install burner tray

When placing the burner tray back into the firebox, make sure the mixing tube plenums (see fig 10a) slide over the orifices. Screw burner tray into firebox with two screws (see fig 10b), backup quarter turn on one of the screws (for expansion in material).

When properly installed you should NOT be able to lift up the Burner tray at the back, the burner should just move slightly (the distance between orifice and inside plenum tube).

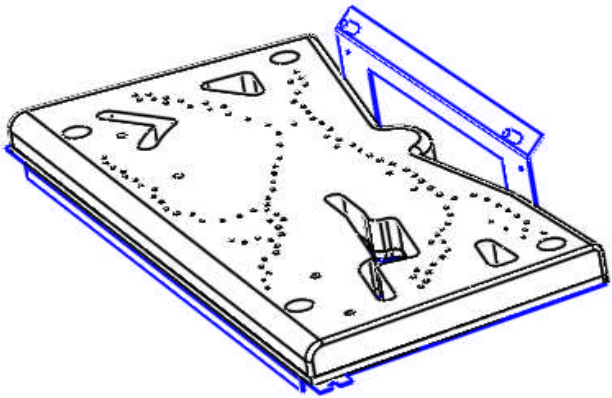
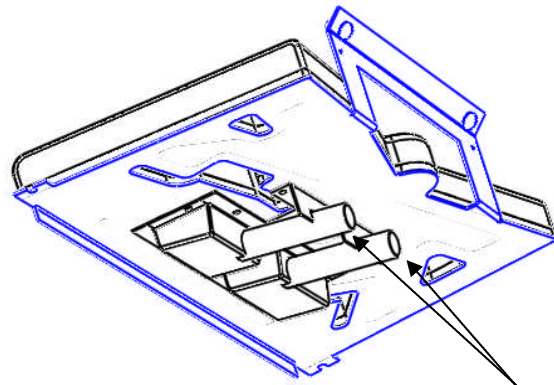


Fig. 10a Burner Tray



Burner Tray (bottom view)

Mixing tube plenums

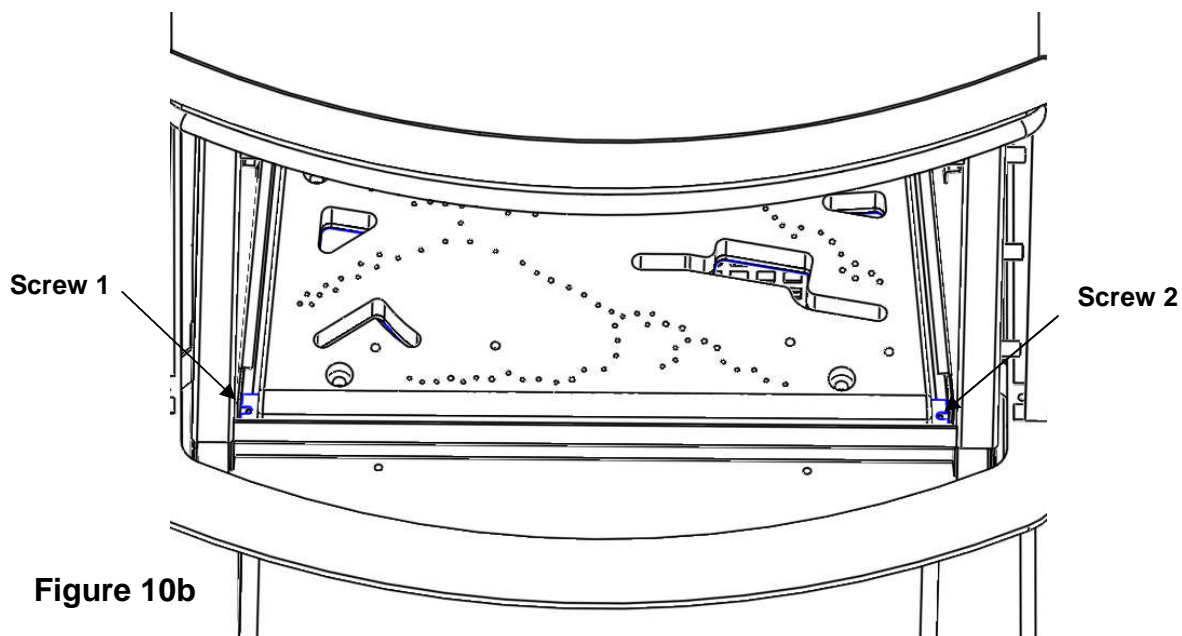


Figure 10b

VALVE REMOVAL AND INSTALLATION

The easiest way to remove the valve is:

1. Disconnect the gas and electricity to the appliance.
2. Remove pedestal front cover and rear cover (4 screws) including fan (fig. 10c).
3. Undo the gas lines (one in, two out and pilot).
4. Disconnect all electrical connections to valve including ground wire
5. Valve is attached to valve bracket with 4 screws, 2 at the back (see fig. 10d) and two at the side, loosen all of them.
6. Installation is the reverse order of the previous steps.

**Note: When installing new valve, check if any unused ports are plugged
Check outlet pressure (3.5" w.c.) and check for leaks**

See page 23 for detailed gas valve image.

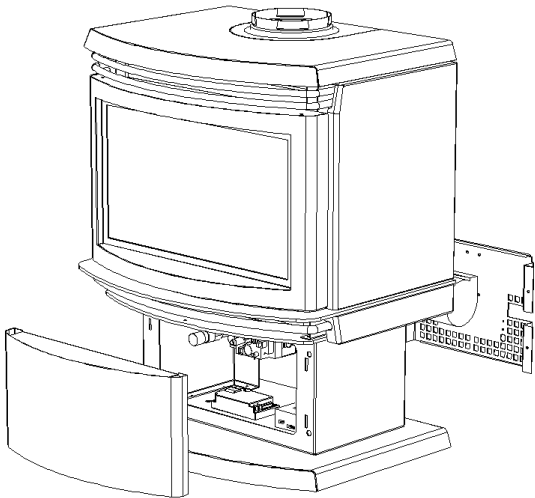


Figure 10c

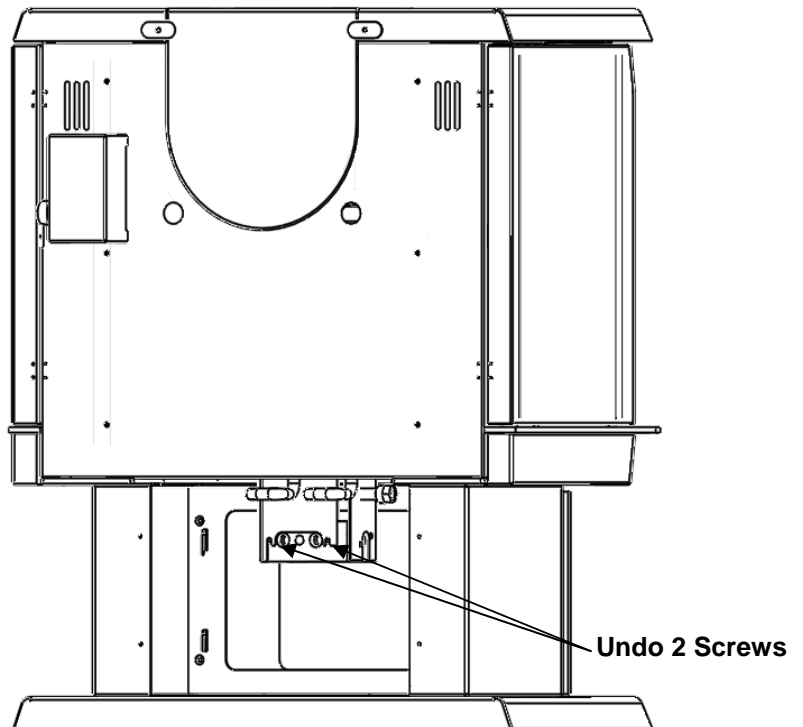


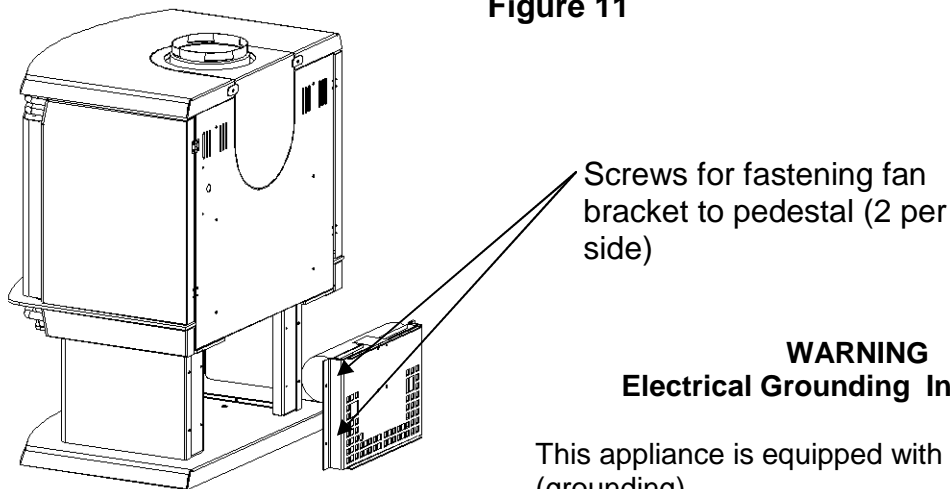
Figure 10d

FAN REMOVAL AND INSTALLATION

To remove the fan, for maintenance or replacement, is easily accomplished by the following steps:

1. Disconnect electrical power to the appliance.
2. Remove the 4 screws holding the rear pedestal fan bracket to the appliance (Figure 11).
3. Disconnect all wires, be sure to label wires prior to disconnecting to ensure they are replaced in the correct location.
4. Remove the 4 screws holding the fan to the rear pedestal fan bracket (Figure 12).
5. Installation is the reverse order of the previous steps.

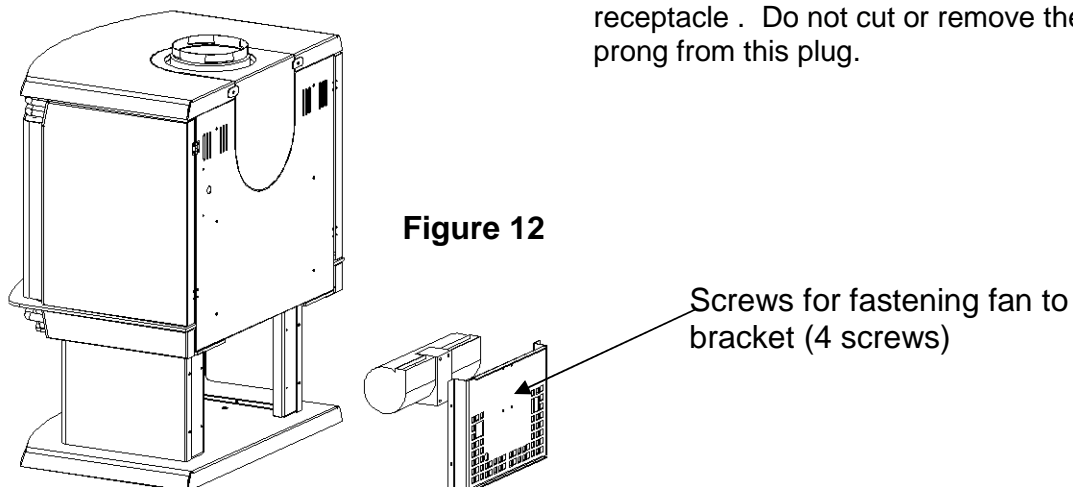
Figure 11



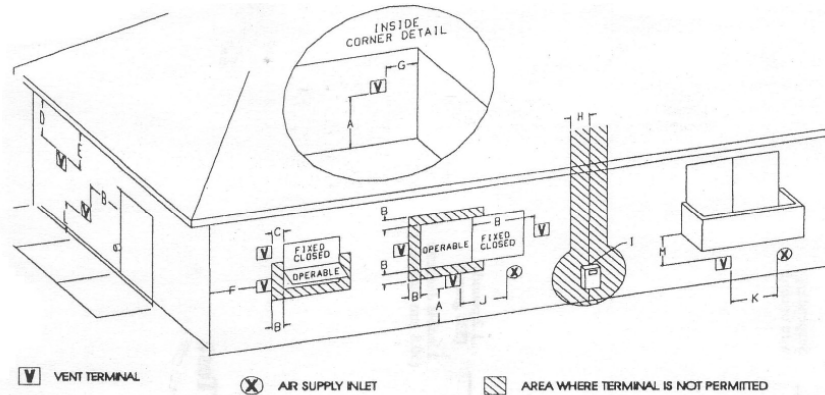
WARNING
Electrical Grounding Instructions

This appliance is equipped with a three prong (grounding) plug for your protection against shock hazard and should be plugged directly into a properly grounded three prong receptacle. Do not cut or remove the grounding prong from this plug.

Figure 12



ALLOWABLE TERMINATION LOCATIONS



	Canadian Installations ¹	US Installations ²
A= Clearance above grade, veranda porch, deck or balcony	*(min. 12"/30 cm)	*(min. 12"/30 cm)
B= Clearance to window or door that may be opened	*(min. 12"/30 cm)	*(min. 12"/30 cm)
C= Clearance to permanently closed window	*(min. 12"/30 cm)	*(min. 12"/30 cm)
D= Vertical clearance to ventilated soffit located above the terminal from the centerline of the terminal	*min. 25-1/2" (65 cm) check with local code	*min. 25-1/2" (65 cm) check with local code
E= Clearance to unventilated soffit from the centerline of the terminal.	*min. 25-1/2" (65 cm)	*min. 25-1/2" (65 cm)
F=Clearance to outside corner from the centerline of the terminal.	*min. 10"/25cm	*min. 10"/25cm
G=Clearance to inside corner the centerline of the terminal.	*min. 16"/40cm	*min. 16"/40cm
H= Clearance to each side of centerline extended above meter/regulator assembly	3' (91cm) within a height 15' (4.5m) above the meter/regulator assembly	*
I= Clearance to service regulator vent outlet	3' (91cm)	*
J= Clearance to no mechanical air supply inlet to building or the combustion air inlet to any other appliance	12" (30cm)	9" (23cm)
K= Clearance to a mechanical air supply inlet	6' (1.83 m)	3' (91 cm) above if within 10' (3 m) horizontally
L= Clearance above paved sidewalk or paved driveway located on public property	7' (2.13 m)†	*
M = Clearance under veranda, porch, deck or balcony	12" (30 cm)‡	*

¹ In accordance with the current CSA B149.1, *Natural Gas and Propane Installation Code*

² In accordance with the current ANSI Z223.1/NFPA 54, *National Fuel Gas Code*

† A vent shall not terminate directly above a sidewalk or paved driveway that is located between two single family dwellings and serves both dwellings.

‡ Permitted only if veranda, porch, deck or balcony is fully open on a minimum of two sides beneath the floor.

* For clearances not specified in *ANSI Z223.1/NFPA 54* or *CSA B149.1*, one of the following shall be indicated:

a) A minimum clearance value determined by testing in accordance with section 2.23.7, or ;

b) A reference to the following footnote: "Clearance in accordance with local installation codes and the requirements of the gas

TROUBLESHOOTING

Please check to make sure the instructions are followed exactly before attempting trouble shooting of the appliance.

WARNING: Troubleshooting and servicing of gas and electrical devices of the appliance should only be conducted by a qualified service technician.

The pilot will not stay lit.	<ol style="list-style-type: none"> 1) Confirm that the Spark electrode and sense electrode wires are properly connected to the DFC board (See page 24 for terminal locations) 2) Confirm that the Pilot burner is properly grounded to the DFC board and stove chassis. 3) Check the power source or the battery pack connections and condition of batteries.
If the main burner does not come ON when the manual switch or remote control is turned ON.	<ol style="list-style-type: none"> 1) Confirm that the pilot sparks and lights. 2) Confirm that the Spark electrode and sense electrode wires are properly connected to the DFC board (See page 24 for terminal locations) 3) If using the remote control check the condition of the batteries. 4) Check if there is gas supply to the appliance
Pilot will not light.	<ol style="list-style-type: none"> 1. When lighting the appliance for the first time after installation or after servicing, there is air in the gas line. It takes a while for all the air to purge out of the pilot before gas can reach the pilot and ignite. Remove the glass door and try lighting the pilot many times to purge the air. 2. Check to make sure the gas supply to the appliance is turned on and there is adequate gas supply pressure to the appliance. 3. Check for sparks between the spark electrode and the pilot head when the unit is turned on. If there are no sparks, <ol style="list-style-type: none"> a. Check for broken or poor connection from the sparker to the electrode. b. Check for the spark shorting or arcing at other locations. c. Check for defective sparker. d. Check for defective spark electrode. e. Check the power source or the battery pack connections and condition of batteries.

TROUBLESHOOTING Cont...

SYMPTOM	ACTION
The main burner shuts off when the appliance is warm.	<ol style="list-style-type: none"> 1. This may be the normal operation of a wall thermostat installed to appliances. 2. Check for good pilot flames on the flame sensor (see fig.3 page 9). 3. Check for proper functioning of venting system (including termination for blockage). 4. Check wire connections. Expansion from heat affects a loose connection 5. Check for adequate grounding from the Module (page 24)
Sooty deposits on the glass door.	<ol style="list-style-type: none"> 1. If the flame is yellow and lazy, check for lint etc. around primary air shutter. Increase primary air by opening the primary air shutter if necessary (See page 34 for adjusting primary air). 2. Check for proper placement of the logs and branches. Ensure logs and burner are clean. See that section in the instruction manual. 3. Check for proper venting and blockage of the vent termination. 4. Check manifold pressure and clock input rating for over-firing.
Sharp blue flames with flames lifting off the burner at the ends.	<ol style="list-style-type: none"> 1. Too much primary air. Reduce primary air by closing the primary air shutter. During cold temperatures, some flame lifting may occur during start-up (See page 34 for adjusting primary air).
Convection blower does not turn on.	<ol style="list-style-type: none"> 1. The convection fan is thermostatically controlled. It will only turn on when the appliance is warmed-up. This may take up to 15 minutes with the appliance on high. 2. Check for 120VAC electrical supply to the appliance. (Is the cord plugged in?) 3. Check if speed controller is not in OFF position 4. Check for proper mounting of the thermal snap disc (under firebox). 5. Check electrical connections. 6. Check for defective thermal snap disc. 7. Check for defective convection blower speed controller. 8. Check for defective convection blower.

TOP/REAR VENT CONVERSION

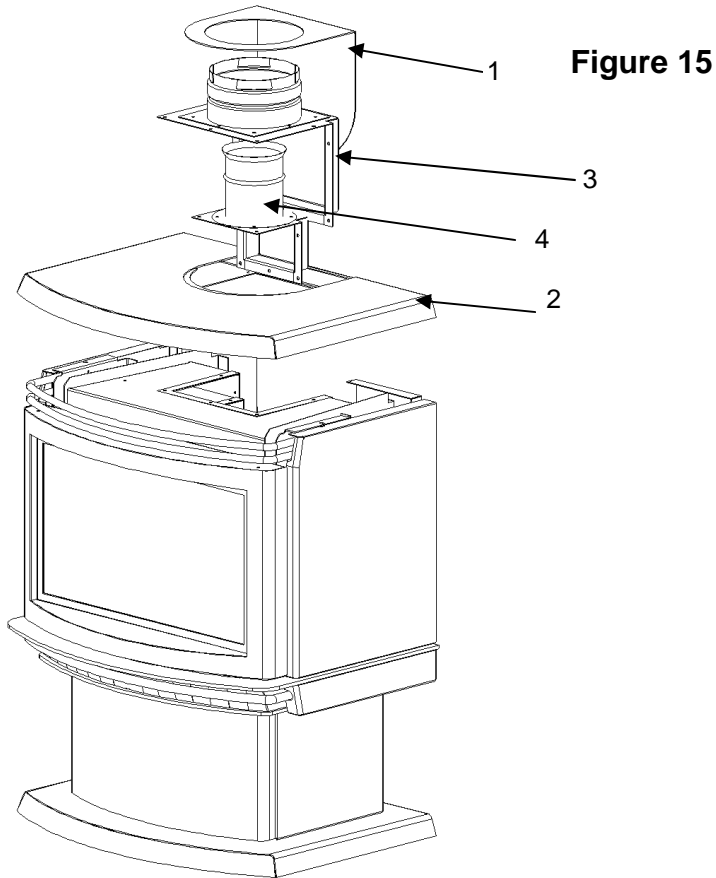


Figure 15

The appliance is easily converted from top vent to rear vent.

The steps for converting are as follows:

1. Remove the flue collar plate (# 1).
2. Remove the stove top (# 2).
3. Remove the air intake assembly (# 3).
4. Remove the exhaust assembly (# 4).
5. Rotate the exhaust (# 4) and air intake (# 3) assemblies into the rear vent position and re-install.
6. Insert the round blanket cutout into hole on top
7. Re-install the stove top (# 2).
8. Rotate the flue collar plate (# 1) and re-install.

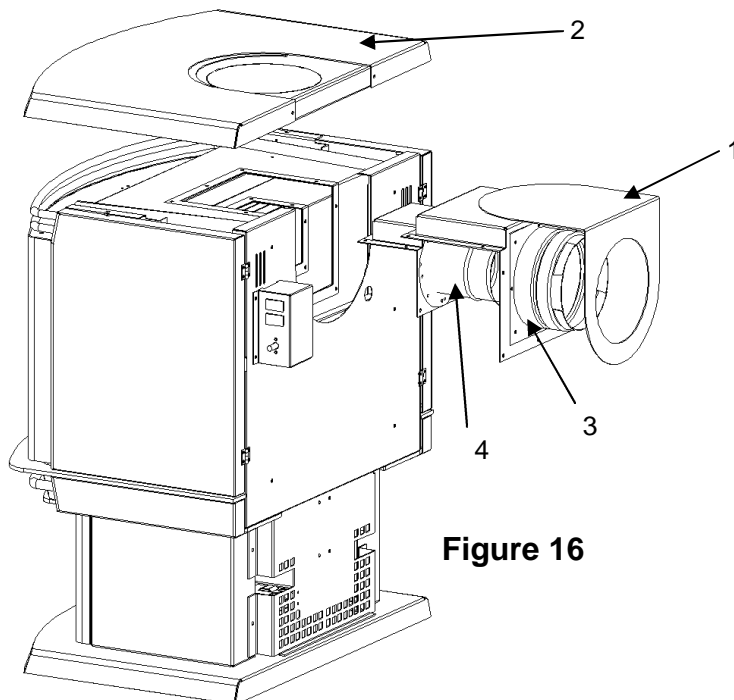


Figure 16

Blaze King Warranty

Gas stoves manufactured by Blaze King Industries and/or Valley Comfort Systems Inc. are covered by a limited lifetime warranty against manufacturers defects in material and workmanship. Details of this comprehensive warranty program are outlined below. In addition to the terms outlined for the limited lifetime warranty, our products carry a 5 year warranty which covers mechanical and electrical components including labor costs outlined below. The combination of these warranty policies provide a very strong coverage package that we are proud to offer you, our customers. Our Blaze King tradition of building high quality products for over 25 years is really your most important assurance of quality but it's nice to know that should something fail (and it occasionally does) you are covered by a warranty policy that leads the industry. To ensure the coverage is in place you must have your unit properly installed by an authorized Blaze King dealer and you must register your ownership. **Blaze King's warranty policy applies only to units sold, installed and/or for use in the USA or Canada. No person is authorized to modify this warranty or make any additional warranties on behalf of the manufacturer, Blaze King.**

Components and parts 5 year warranty:

Blaze King warrants the following parts; blower motors, door gasket, blower speed control, logs, pilot assembly, gas valve, gas lines, thermocouple and/or thermopile against defects in material or workmanship to the original purchaser, for five years following the date of purchase. Consumable items, such as batteries and light bulbs are not covered by warranty.

Labor costs during the 5 year warranty period:

Blaze King manufacturers warranty covers labor costs to the original purchaser based on our schedule of approved charges, provided to our authorized dealers. Blaze King will only be responsible for labor costs provided by our authorized dealers and based upon the schedule.

Limited Lifetime Coverage

This warranty contains different terms that cover specific parts of the gas appliance. Blaze King warrants the following parts of the gas appliance against defects in material or workmanship to the original retail purchaser. For the first five years of ownership, the combustion chamber, heat exchanger and burners will be replaced by Blaze King, conditional upon production availability. From year 6 through to the end of ownership by the original purchaser, Blaze King will provide replacement or repair of the aforementioned parts, conditional upon current production availability, at 50% of current retail price but does not cover any charges relating to labor. This portion of the warranty coverage is not transferable and applies only to the original purchaser.

How to Get Service

If this product requires repair or replacement due to defects in material or craftsmanship during the first five years of ownership, contact your Blaze King dealer and explain the nature of the problem. If the dealer is unable to repair or replace the product to your satisfaction then contact Blaze King at 509-522-2730 in the USA or 250-493-7444 in Canada. If a replacement part is sent directly to you, please contact Blaze King to obtain a Return Authorization Number (RA#) for all defective parts. Blaze King will refuse delivery of any returned packages not clearly showing an (RA#). All expenses relating to the shipping of defective parts or entire stoves will be at purchaser's expense.

Blaze Kings Responsibilities:

If the purchaser has complied with all the terms and conditions of this warranty and if the purchaser has notified Blaze King of the defect prior to the expiration of any warranted items, the following procedure will occur. Blaze King will inspect the product to determine that there is indeed a defect and that the defect is covered by warranty. Blaze King will either repair or replace the product at its' discretion. Under no condition whatsoever does Blaze King provide or imply warranty coverage for venting components used in the installation of our products. This warranty details the obligations and liabilities of Blaze King and no other warranties are expressed or implied. Blaze King reserves the right to investigate and settle all claims against warranted parts at their discretion. In no event shall Blaze King be held responsible for indirect or consequential damages of any nature which are in excess of the original purchase price of the product. Blaze King may at its' discretion discharge any or all obligations by refunding the wholesale price of any defective part or parts.

Misuse of Stove Nullifies Warranty:

The above warranty is conditioned upon the proper installation and use of the product according to the manufacturers instructions as specified in the "Owners Installation & Operations Instructions" and in compliance with applicable local building and fire codes. Blaze King recommends the local building inspector or fire department inspect the unit prior to initial use. Consult the "Owners Installation & Operations Instructions" supplied with each unit prior to installation or operation. Alteration, abuse, lack of maintenance, faulty repairs or misuse will void the warranty. Abuse includes but is not limited to the use of fuels other than as specified in the "Owners Installation & Operations Instructions."

Legal Rights of Purchaser:

This warranty gives you specific legal rights and you may have other rights that vary from state to state (or province to province).

Blaze King Assurance Plan:

Included with each gas stove manufactured by Blaze King is a Warranty Card, which must be completed in its entirety and returned to Blaze King within ten days from the date of purchase. Blaze King will be unable to properly administer the warranty if the card is not completed and registered on file. The Protection Plan will pay to repair and or replace parts which fail under normal usage at labor rates established by this Agreement. Extra charges such as mileage, overtime or shipping are not covered. Nuisance calls are not covered by the Plan. This Plan is for residential stoves and does not apply to commercial applications. Only repairs attributed to normal failure of the electronic and mechanical functions of the stove are covered. Failure due but not limited to, abuse, negligence, impact, fire, lightning, power failures and or surges, rust and corrosion are not covered. Damage and or repairs to cabinets and all exterior components, remote controls, and normal maintenance, related duct work, power surges, electrical spikes or electrical circuit overloads, filters, knobs, glass, gaskets, block and tile etc., are not covered. Additional or unusual utility bills incurred due to any malfunction or defect in equipment listed on the Plan, labor cost of gaining access to or removal of a unit that requires special equipment or tools such as cranes, ladder trucks, etc., are not covered. These include but are not limited to, cleaning, adjustments of the customer controls and customer product education. Labor, materials, expenses or equipment required to comply with the law and or regulations set forth by any governmental agencies are not covered by this Plan.

THE TORINO

Replacement Parts list for The Torino

No Expl. View	Item #	Description	QTY	Unit
	OM1605	OWNERS MANUAL, THE TORINO DVT/DVR	1	EA
	Z0755P	CONVERSION KIT-NATURAL GAS TO PROPANE 0-4,500ft	1	EA
	Z0756P	CONVERSION KIT-NATURAL GAS TO PROPANE 4,500-6,500ft	1	EA
	Z0757P	CONVERSION KIT-NATURAL GAS TO PROPANE 6,500-8,500ft	1	EA
	Z0755	CONVERSION KIT-PROPANE TO NATURAL GAS 0-4,500ft	1	EA
	Z0756	CONVERSION KIT-PROPANE TO NATURAL GAS 4,500-6,500ft	1	EA
	Z0757	CONVERSION KIT-PROPANE TO NATURAL GAS 6,500-8,500ft	1	EA
01	0245	GLASS CERAMIC (22-5/8" x 13-1/2")	1	EA
02	0254C	DOOR GASKET (73-1/4")	1	EA
03	M \SIT0885001	SIT VALVE - MODEL PROFLAME 885	1	EA
04	M \SIT0584302	CONTROL MODULE	1	EA
	M \SIT0584912	MODULE/VALVE WIRE HARNESS	1	EA
	M \SIT0584905	WIRE HARNESS RECEIVER	1	EA
05	M \SIT0584521	RECEIVER / BATTERY PACK	1	EA
06	M \SIT0584023	REMOTE TRANSMITTER SIT	1	EA
07	M \SIT0584121	FAN MODULE	1	EA
08	0712A	PSE PILOT (PSE-C7-520)	1	EA
	0821	LOG SET (3 PIECES)	1	EA
09	1670	BRICK PANEL SET (3 PIECES)	1	EA
10	6065	BRICK PANEL CLIP	2	EA
11	1668	FLUE BAFFLE	1	EA
12	1144AA	SNAPDISK F130	1	EA
14	1748	60 % VENT RESTRICTOR	1	EA
15	0719C	AIR BLOWER	1	EA
16	0779A	LIGHT BULB HALOGEN BI-PIN 12V 20W G6.35	1	EA
17	H \Z0780	TRANSFORMER 120V ->12V	1	EA
18	M \Z1605B	BURNER TRAY ASSEMBLY	1	EA
19	H \Z1634	TRIM SET (Choose black, satin, onyx or gold)	1	EA
20	M \1617	FLUE COLLAR PLATE	1	EA

Parts can be ordered through your local dealer or distributor by giving PART # and DESCRIPTION.

