

Blaze King

TORINO II INSERT 1607

DIRECT VENTED GAS ROOM HEATER

for use with natural gas or LPG



OPERATION & INSTALLATION MANUAL



Installer: Please complete the details on the back cover and leave this manual with the homeowner.
Homeowner: Please keep these instructions for future reference.

WARNING: If the information in these instructions are not followed exactly, a fire or explosion may result causing property damage, personal injury or loss of life.

- Do not store or use gasoline or other flammable vapors and liquids in the vicinity of this or any other appliance.
- WHAT TO DO IF YOU SMELL GAS
 - Do not try to light any appliance.
 - Do not touch any electrical switch; do not use any phone in your building.
 - Immediately call your gas supplier from a neighbor's phone. Follow the gas supplier's instructions.
 - If you cannot reach your gas supplier, call the fire department.
- Installation and service must be performed by a qualified installer, service agency or the gas supplier.

This appliance may be installed in an aftermarket, permanently located, manufactured (mobile) home, where not prohibited by local codes.

This appliance is only for use with the type of gas indicated on the rating plate. This appliance is not convertible for use with other gases, unless a certified kit is used.

WARNING



**HOT GLASS WILL
CAUSE BURNS.**
**DO NOT TOUCH GLASS
UNTIL COOLED.**
**NEVER ALLOW CHILDREN
TO TOUCH GLASS.**

Pour la version française de nos manuels S.V.P. vous référez à notre site web: www.blazeking.com

Table of Contents

INTRODUCTION _____	3
CERTIFICATION LABEL _____	4
GENERAL INFORMATION _____	5
APPLIANCE DIMENSIONS _____	7
INSTALLATION INSTRUCTIONS _____	8
<i>CLEARANCES</i>	9
<i>VENTING</i>	11
INTERMITTENT PILOT & VALVE _____	16
WIRING DIAGRAM _____	18
LIGHTING INSTRUCTIONS _____	19
THERMOSTAT REMOTE CONTROL _____	20
MAINTENANCE _____	25
SERVICING _____	27
FUEL CONVERSION _____	29
BURNER TRAY REMOVAL AND INSTALLATION _____	31
FAN REMOVAL AND INSTALLATION _____	32
TROUBLESHOOTING _____	33
REPLACEMENT PARTS _____	35
WARRANTY _____	37
NOTES _____	41

Manufactured By

Valley Comfort Systems Inc.

1290 Commercial Way
Penticton, BC V2A 3H5
CANADA
Phone: 250-493-7444
Fax: 250-493-5833

Blaze King Industries

146 A Street
Walla Walla, WA 99362
U.S.A.
Phone: (509) 522-2730
Fax: (509) 522-9803

INTRODUCTION

To Our Valued Customers

Dear Customer:

Thank you for purchasing a Torino II Gas Heater.

The Torino II is one of the most advanced direct vented gas heaters on the market. It is designed using the latest technology and manufactured to the highest quality.

This owner's manual explains the steps required to safely assemble, install, operate, and maintain your new heater. Please carefully read these requirements for safe installation and proper operation before installing and using your heater.

Obtain permits from the Building Inspector or Fire Department, if local laws require. Check local building and fire codes before installing your heater. When you have completed the installation, have it checked by your local inspector. Disregarding inspection and code requirements may jeopardize your homeowner's insurance. Since some insurance carriers require notification of a stove installation, contact your insurance agent. We want your Blaze King to give you a lifetime of trouble-free operation.

While we have made every effort to make these instructions as complete as possible, some installation or operating conditions may not be covered. If you have any questions that are not answered here, contact your Blaze King dealer, Local Building Inspector, Fire Department, or our customer service department at Blaze King. In the USA please call (509)-522-2730 or in Canada please call (250)-493-7444.

The Management and Employees of

Blaze King Industries, Inc

CERTIFICATION LABEL



Intertek

Certified for U.S. and Canada
Certifié pour le Canada et les États - Unis

ANSI Z21.88-2009/CSA 2.33-2009, "Vented Gas Fireplace Heaters", CAN/CGA 2.17-M91 "Gas-Fireplaces For Use At High Altitudes."

Test é à ANSI Z21.88-2009/CSA 2.33-2009 "Foyer au gaz avec éventel", CAN/CGA 2.17-M91 "Appareils de chauffage au gaz utilisés en hautes altitudes"

Listed Vented Gas Fireplace Heater / Foyer chauffé au gaz avec évent
Torino II Insert WIN #16959

Serial No. -

This stove is factory equipped for 0-1370 m (0-4500 ft)
Ce foyer est manufacturée et équipé pour 0-1370 m (0-4500 pied)

Model: Torino II top vent appliance Modèle: Torino II appareil à évent en haut Orifice (DMS) 0-1370 m	<input type="checkbox"/>	NATURAL GAS 36	<input type="checkbox"/>	LP GAS 52
Input rating / Puissance d'entrée (BTU/hr / Kw) 0-1370m 0-4500 ft Alt.		30,500 / 8.94		30,500 / 8.94
Minimum Input / Entrée Minimum (BTU/hr / Kw)		20,600 / 6.04		17,700 / 5.19
Manifold Pressure High Setting (In w.c. / kPa)		3.5 / 0.87		11.0 / 2.74
Manifold Pressure Lo Setting (In w.c. / kPa)		1.6 / 0.40		2.9 / .72
Minimum Inlet Pressure / Pression d'entrée Minimum (In w.c. / kPa)		7.0 / 1.74		11.0 / 2.74

This appliance must be installed in accordance with local codes if any: if not follow *ANSI Z223.1 and CAN 1-B149 Gas Appliance Installation Code ANSI Z223.1 / NFPA 54 or Natural Gas and Propane Installation Codes CSA B149.1*. Cet appareil doit être installé selon les codes locaux, s'il y en a: sinon suivez l'actuel *ANSI Z223.1 et CAN 1-B149 Appareil au Gaz Code ANSI Z223.1 / NFPA 54 ou Gas Naturel et Propane CSA B149.1*.

VENTED GAS FIREPLACE HEATER—NOT FOR USE WITH SOLID FUEL

FOYER AU GAZ AVEC ÉVENT—NE PAS UTILISER AVEC DU COMBUSTIBLE SOLIDE

FOR USE WITH GLASS DOORS CERTIFIED WITH THE APPLIANCE ONLY. / UTILISER SEULEMENT AVEC DES PORTES VITRÉES CERTIFIÉES POUR CET APPAREIL.

ALSO FOR USE IN OEM / MOBILE (MANUFACTURED) HOMES AFTER HOME IS ON SITE. Convertible for use with natural gas or propane as follows: For natural gas when equipped with orifice # 36, for propane when equipped with orifice # 52.

MAY BE INSTALLED IN A BEDROOM OR SITTING ROOM WHEN INSTALLED WITH A LISTED THERMOSTAT CONTROL IN CANADA.

AUSSI POUR L'USAGE DANS LES MAISONS (MANUFACTURÉES) MOBILES APRÈS QUE LA MAISON SE TROUVE SUR LE CHANTIER. Convertible pour l'usage avec le gaz naturel ou le propane comme suit: Pour le gaz naturel une fois équipé de l'orifice # 36, pour le propane une fois équipé de l'orifice # 52.

PEUT ÊTRE INSTALLÉ DANS UNE CHAMBRE À COUCHER OU UN SALON UNE FOIS INSTALLÉ AVEC UN THERMOSTAT ÉNUMÉRÉ AU CANADA.

MINIMUM CLEARANCES TO COMBUSTIBLES / ESPACES MINIMUM REQUIS ENTRE L'APPAREIL ET DES MATÉRIAUX COMBUSTIBLES.

Unit to Sidewall / Unité au mur l'atéral	76 mm (3 in)
Floor / Plancher	305 mm (12 in) in front of unit
Top of shroud to 12" Mantle / Haut de linceul à 12 pouces Mantle	152 mm (6 in)
Top of shroud to 6" Mantle / Haut de linceul à 6 pouces Mantle	102 mm (4 in)

The minimum size fireplace into which the gas fireplace insert can be installed should be 850 mm (33.5 in) wide, 625 mm (24.5 in) high and 380 mm (15 in) deep.

Minimum chimney flue size 76 mm x 152 mm (3in x 6 in).

La grandeur minimum de foyer dans lequel le foyer au gaz encastré peut être installé est de 850 mm (33.5 po) large, 625 mm (24.5 po) haut et 380 mm (15 po) profond.

La grandeur minimum d'un conduit de cheminée est de 6 mm x 152 mm (3 po x 6 po).

Electrical Rating: 115 Volts, 0.7 Amp, 60 Hz

DANGER: Risk of electrical shock. Disconnect power before servicing unit. Do not route power cord beneath heater.

DANGER: Risque d'électrocution. Débrancher le courant avant de réparer l'unité. Ne pas mettre la corde d'alimentation en dessous de l'appareil de chauffage.

This appliance must be installed in accordance with the Standard *CAN/CSA Z240 MH, Mobile Housing*, in Canada, or with the *Manufactured Home Construction and Safety Standard, Title 24 CFR, Part 3280*, in the United States, or when such a standard is not applicable, *ANSI/NCSCS A225.1/NFPA 501A, Manufactured Home Installations Standard*. / Cet appareil doit être installé selon les codes *CAN/CSA Z240 MH, maisons (manufacturées) mobiles*, au Canada, sinon applicable, utilisez *ANSI/NCSCS A225.1/NFPA 501A, Manufactured Home Installations Standard*.

WARNING: Failure to install this appliance per the manufacturer's instructions or failure to use only parts specifically approved with this appliance may result in property damage or personal injury

AVERTISSEMENT: Ne pas installer cet appareil selon les instructions du fabricant ou ne pas utiliser seulement les pièces spécifiquement approuvées pour cet appareil peut conduire à des dégâts matériels ou dommages corporels.

This appliance is only for use with the type of gas indicated on the rating plate and may be installed in an aftermarket, permanently located, manufactured (mobile) home where not prohibited by local codes. See owners manual for details. This appliance is not convertible for use with other gases unless a certified kit is used. This vented gas fireplace is not for use with air filters.

Cet appareil sert seulement avec le type de gaz indiqué sur la plaque de contrôle et peut être installé dans un marché des accessoires, maison (mobile) de manière permanente placée et manufacturée ou non interdit par des codes locaux. Voir le manuel d'installation pour des détails. Cet appareil n'est pas convertible pour l'usage avec d'autres gaz à moins qu'un kit certifié soit employé. Ce foyer au gaz à évent ne peut être utilisé avec des filtres à air.

Manufactured in U.S.A. by: **Blaze King Industries**
146 A Street, Walla Walla, WA
U.S.A. 99362

Manufactured in Canada by: **Valley Comfort Systems Inc.**
1290 Commercial Way, Penticton, B.C.
Canada V2A 3H5

MANUFACTURE DATE					
JAN <input type="checkbox"/>	FEB <input type="checkbox"/>	MAR <input type="checkbox"/>	APR <input type="checkbox"/>	MAY <input type="checkbox"/>	JUN <input type="checkbox"/>
JUL <input type="checkbox"/>	AUG <input type="checkbox"/>	SEP <input type="checkbox"/>	OCT <input type="checkbox"/>	NOV <input type="checkbox"/>	DEC <input type="checkbox"/>
2012 <input type="checkbox"/>	2013 <input type="checkbox"/>	2014 <input type="checkbox"/>	2015 <input type="checkbox"/>	2016 <input type="checkbox"/>	2017 <input type="checkbox"/>

#0376ef1012.indd

GENERAL INFORMATION

APPLIANCE CERTIFICATION

This appliance is tested and certified to the following US and Canadian gas appliance standards:

- ANSI Z21.88b-2007 / CSA 2.33b-2007 Vented Gas Fireplace Heaters,
- CAN/CGA-2.17-M91 Gas-Fired Appliance for Use at High Altitudes
- CSA P.4.1-02 Testing Method for Measuring Annual Fireplace Efficiency

Please contact Valley Comfort or Blaze King, if you have any questions regarding the certification of this appliance.

- The installation must conform with the local codes or, in the absence of local codes, with the current National Fuel Gas Code, ANSI Z223.1/ NFPA 54, in the US or Installation Code, CSA-B149.1, in Canada.
- A manufactured home (USA only) or mobile home OEM installation must conform with the Manufactured Home Construction and Safety Standard, Title 24 CFR, Part 3280, or, when such a standard is not applicable, the Standard for Manufactured Home Installations, ANSI/NCSBCS A225.1, or Standard for Gas Equipped Recreational Vehicles and Mobile Housing, CSA Z240.4.
- The appliance and its appliance main gas valve must be disconnected from the gas supply piping system during any pressure testing of that system at test pressures in excess of 1/2 psi (3.5 kPa).
- This gas appliance must not be connected to a chimney flue serving a separate solid-fuel burning appliance.
- The appliance, when installed, must be electrically grounded in accordance with local codes or, in the absence of local codes, with the National Electrical Code, ANSI/NFPA 70, in the US, or the Canadian Electrical Code, CSA C22.1, in Canada.
- Do not use this appliance if any part has been under water. Immediately call a qualified service technician to inspect the appliance and to replace any part of the control system and any gas control which has been under water.
- Caution: Label all wires prior to disconnection when servicing controls. Wiring errors can cause improper and dangerous operation. Verify proper operation after servicing.

GENERAL INFORMATION cont.

CAUTION

- Due to high temperatures, the appliance should be located out of traffic and away from furniture and draperies.
- Children and adults should be alerted to the hazards of high surface temperature and stay away to avoid burns or clothing ignition.
- Young children should be carefully supervised when they are in the same room as the appliance.
- Clothing or other flammable material should not be placed on or near the appliance.
- Installation and repair should be done by a qualified service person. The Appliance should be inspected before use and at least annually by a professional service person. More frequent cleaning may be required due to excessive lint from carpeting, bedding material, etcetera. It is imperative that control compartments, burners and circulating air passageways of the appliance be kept clean.

INSTALLATION CODES

This appliance must be installed by a qualified gas appliance installer. This appliance is certified for installation in a bedroom or a bedsitting room. This appliance is only for use with the type of gas indicated on the rating plate and may be installed in an aftermarket, permanently located, manufactured (mobile) home where not prohibited by local codes. This appliance is not convertible for use with other gases, unless a certified kit is used. Only for direct discharge without duct connection. This appliance must be direct vented using listed and approved Simpson Dura-Vent, Selkirk, Security or American Metal Products vent components.

SPECIFICATIONS

MODEL Torino II Insert	Natural Gas (NG)	Propane (LPG)
Manifold Pressure	3.5 in. w.c. (0.87kPa)	11.0 in. w.c. (2.74kPa)
Min. Supply Pressure for Purpose of Input Adjustment	7 in. w.c. (1.24 kPa)	11.0 in. w.c. (3.0 kPa)
Orifice Size	DMS # 36	DMS # 52
Nominal Input Rating	30,500 BTU/hr	30,500 BTU/hr
Minimum Input Rating	20,600 BTU/hr	17,700 BTU/hr
Altitude	0 - 4,500 ft. (0 - 1372 m)	0 - 4,500 ft. (0 - 1372 m)
Primary Air Opening	50% (Minimum).	open
Electrical Rating	120 V.A.C. / 0.7 Amp / 60 Hz	120 V.A.C. / 0.7 Amp / 60 Hz

HIGH ALTITUDE INSTALLATION

When installing this appliance beyond 4500 ft. (1372 m) above sea level, the appliance must be properly de-rated and installed according to local codes, in the absence of local codes, with the current National Fuel Gas Code, ANSI Z223.1/ NFPA 54, in the US or Installation Code, CSA-B149.1, in Canada.

APPLIANCE DIMENSIONS

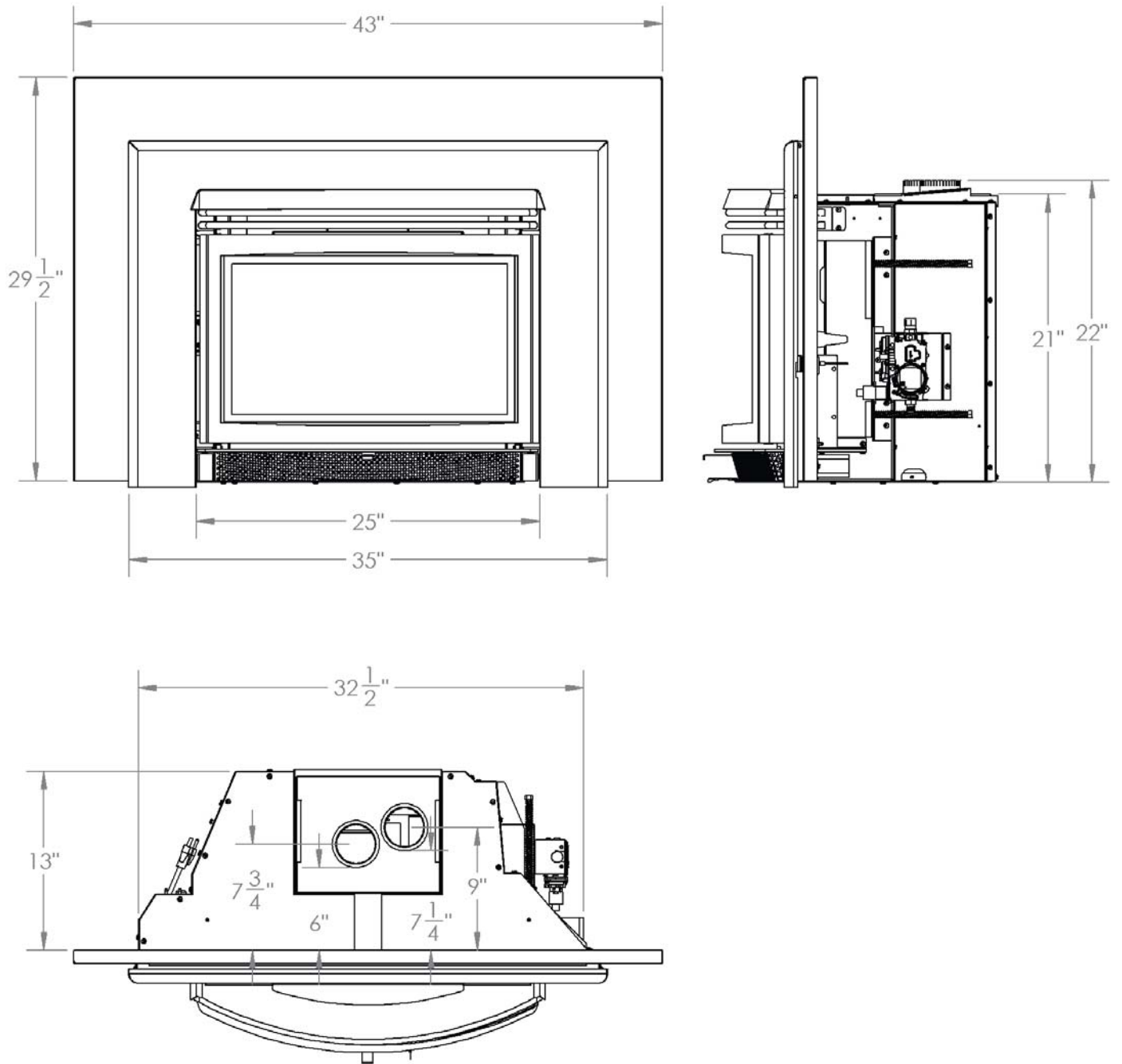


Fig. 1

INSTALLATION INSTRUCTIONS

PRECAUTIONS

- This appliance must be installed by a qualified gas installer and the installation conform to the installation codes.
- Provide adequate clearances for proper operation and servicing of the appliance.
- This appliance must be properly connected to a venting system.
- This appliance must NOT be connected to a chimney flue serving a solid-fuel appliance.

PREPARATION FOR INSTALLATION IN A SOLID-FUEL BURNING FIREPLACE

- The installer must mechanically attach the marking label #0163 supplied with the gas fireplace insert to the inside of the firebox of the fireplace into which the gas fireplace insert is installed.
- Cutting any sheet-metal parts of the fireplace, in which the gas fireplace insert is to be installed, is prohibited.
- If the factory-built fireplace has no gas access hole(s) provided, an access hole of 1.5 inch (37.5 mm) or less may be drilled through the lower sides or bottom of the firebox in a proper workmanship like manner. This access hole must be plugged with non-combustible insulation after the gas supply line has been installed.”

GAS CONNECTIONS

Have your gas supplier or a qualified gas fitter run a gas supply line into the gas fireplace. The line must be properly sized and fitted according to the installation codes. Upstream of the supply connection, the fitter shall provide a manual shut-off valve.

CAUTION:

The appliance and its individual shutoff valve must be disconnected from the gas supply piping system during any pressure-testing of that system at test pressures in excess of 1/2 psig (3.5 kPa). The appliance must be isolated from the gas supply piping system by closing its individual manual shutoff valve during any pressure-testing of the gas supply piping system at test pressures equal to or less than 1/2 psig (3.5 kPa). Failure to do so will damage the appliance's gas valve. Such damage is not cover by the manufacturer's warranty.

- Check for proper gas supply pressure by loosening the set screw on supply pressure tap on the gas valve with a small flat tip screw driver and placing a test gauge on the tap.
- Check for proper gas supply pressure by loosening the set screw on supply pressure tap on the gas valve with a small flat tip screw driver and placing a test gauge on the tap.
- The minimum permissible gas supply pressure is 5.0 in. w.c. (1.24 kPa) for natural gas and 12.0 in. w.c. (3.0 kPa) for propane. Maximum gas supply pressure should never exceed 14.0 in. w.c. (3.48 kPa) or 1/2 psi. for both natural gas and propane.

BE SURE TO TIGHTEN THE PRESSURE TAP SET SCREW AFTER CHECKING THE PRESSURE.

Before connecting the appliance to the gas supply line, double check that the appliance you have purchased is designed for the gas type you are using. The gas type markings are located on the certification label and also on the appliance's gas valve. Adequate clearance for proper installation and checking of the gas connections must be provided. All gas connections must be checked for gas leaks.

INSTALLATION INSTRUCTIONS cont.

CLEARANCES

CLEARANCES TO COMBUSTIBLES:			
MODEL - Torino II Insert			
A	Side Unit (Shroud) to Side wall	min. 3"	(76 mm)
B	Floor in front of unit	min. 12"	(304 mm)
C	Top shroud to 6" Mantle	min. 4"	(102 mm)

TOP VIEW

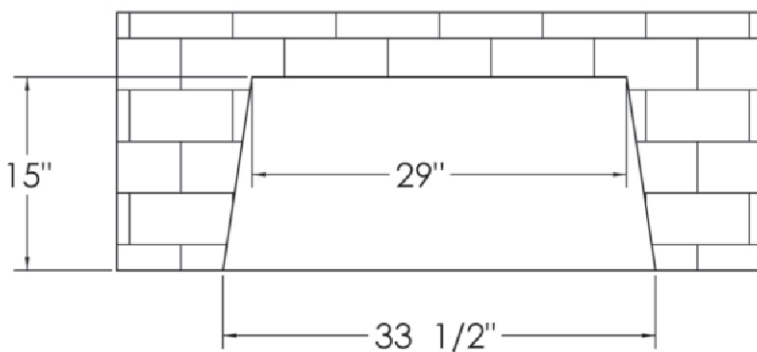
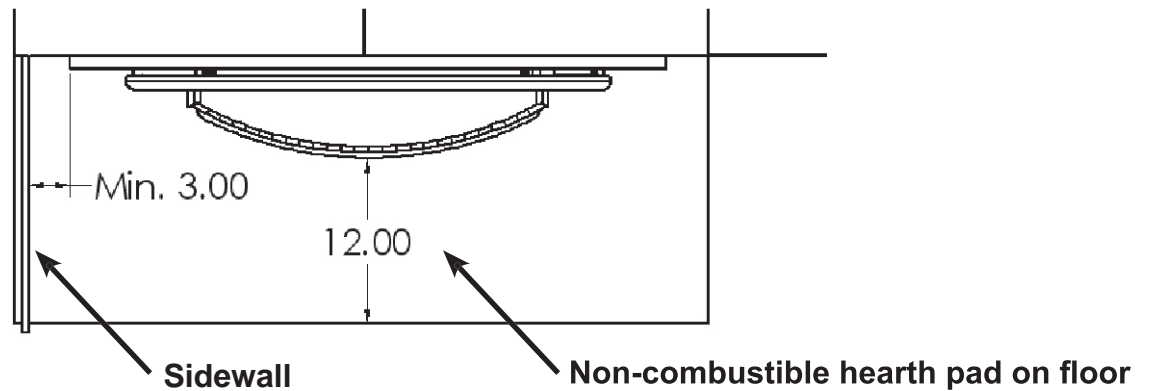
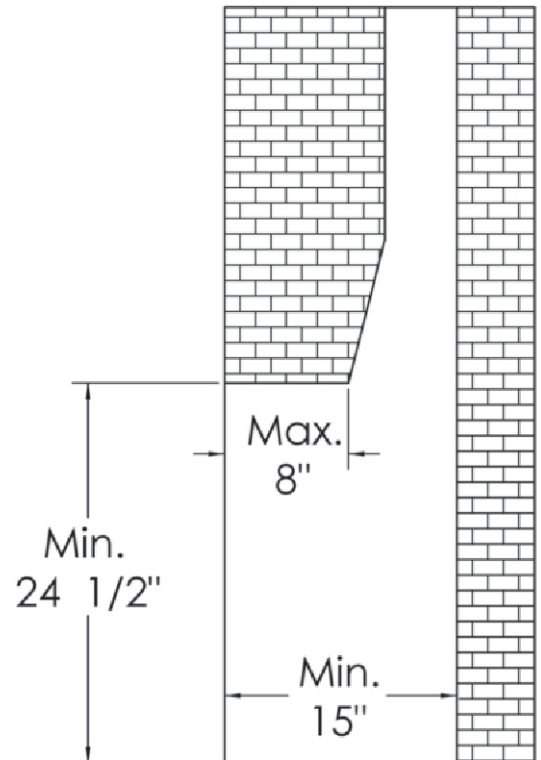
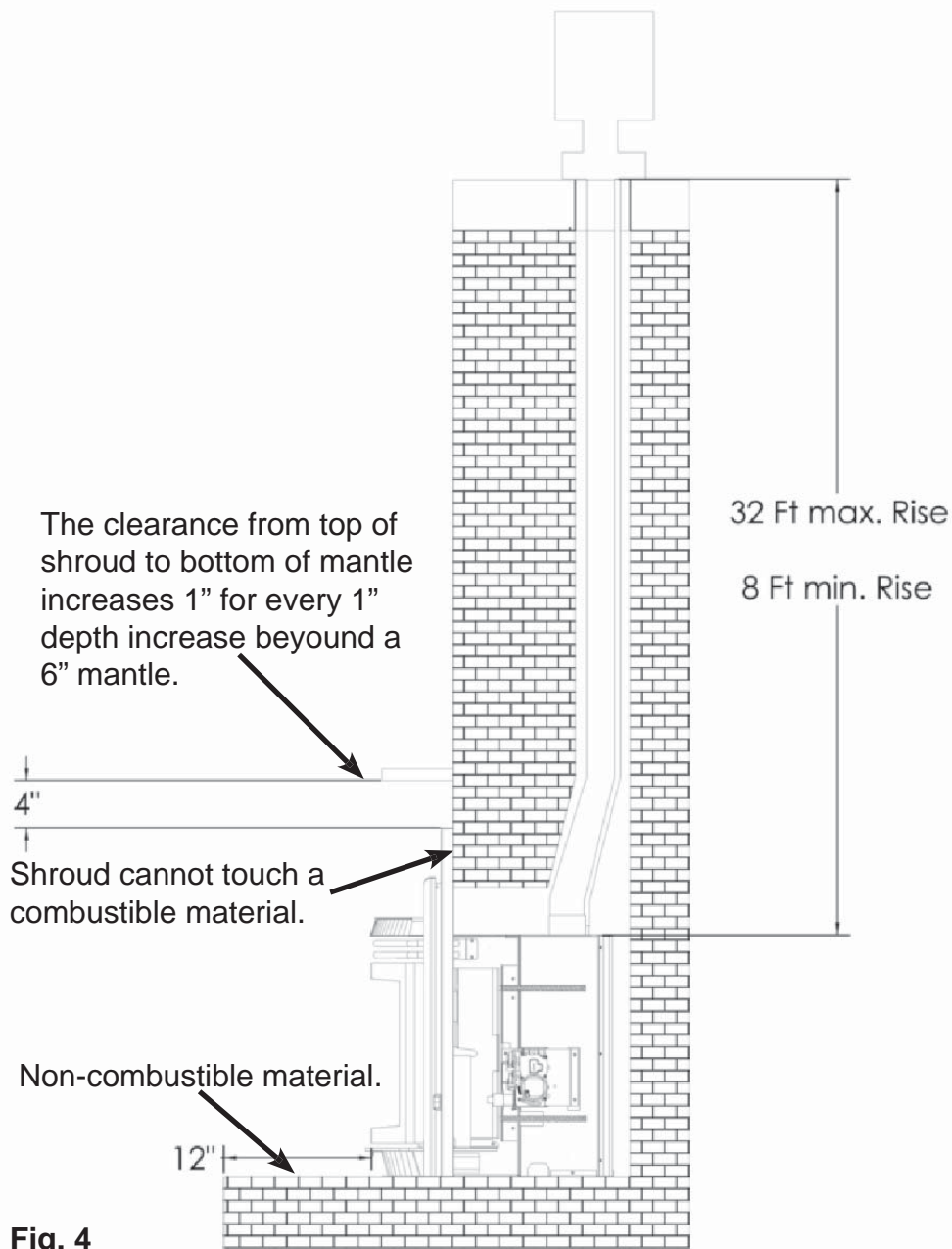


Fig 3. Required dimensions fireplace opening



INSTALLATION INSTRUCTIONS cont.



- Refractory material, glass doors, screen rails, screen mesh and log grates can be removed from the fireplace before installing the gas fireplace insert.
- Smoke shelves, shields and baffles may be removed if attached by mechanical fasteners.
- Trim panels or surrounds shall not seal ventilation openings in the fireplace.
- The fireplace flue damper can be fully blocked open or removed for installation of the gas fireplace insert.
- The fireplace and chimney must be clean and in good working order and constructed of non-combustible materials.
- Chimney cleanouts must fit properly.

INSTALLATION INSTRUCTIONS cont.

VENTING

Please follow the venting instructions as strictly as possible to obtain the best performance from the appliance.

Only use listed 3” flex liner for correct installation
 Minimum vertical rise 8Ft. Maximum rise 32 Ft.



Duravent
 Assembly
 (Shown with
 high wind cap)
 46DVA-CL33

Fig. 5

- This gas appliance must not be connected to a chimney flue serving a separate solid-fuel burning appliance.
- The Torino insert is only certified for vertical terminations.

WARNING :

Failure to position the parts in accordance with these diagrams or failure to use only parts specifically approved with this appliance may result in property damage or personal injury.

Make a tight connection between the gas fireplace insert flue collar and fireplace chimney.

AMERICAN METAL PRODUCTS COMPONENTS LIST	
Description	Part #
Collinear Top Kit	4DCAT33
Vertical Termination	4DVC
SELKIRK VENTING COMPONENTS LIST	
Description	Part #
Collinear Top Kit	4DT-CTB
Vertical Termination	4DT-VT
SIMPSON DURAVENT VENTING COMPONENTS LIST	
Description	Part #
Collinear Kit Complete 30' only	46DVA-CL33
Collinear Top Kit (no termination)	46DVA-GK
Vertical Termination	46DVA-VCH
3" flex liner 25ft. long	3DFA-25
3" flex liner 35ft. long	3DFA-35

INSTALLATION INSTRUCTIONS cont.

The exhaust and air intake pipe must be securely fastened to the appliance and terminal and all joints must be secured using a minimum of 3 screws evenly spaced around the pipe.

Approximately 1" from the end of the 3" appliance exhaust pipe outlet at the appliance air intake pipe and at the 3" terminal connections apply a bead of Mil Pac or other high heat silicone 1/4" wide. Slide the 3" pipe onto the appliance and secure with 3 screws evenly spaced to the outlet.

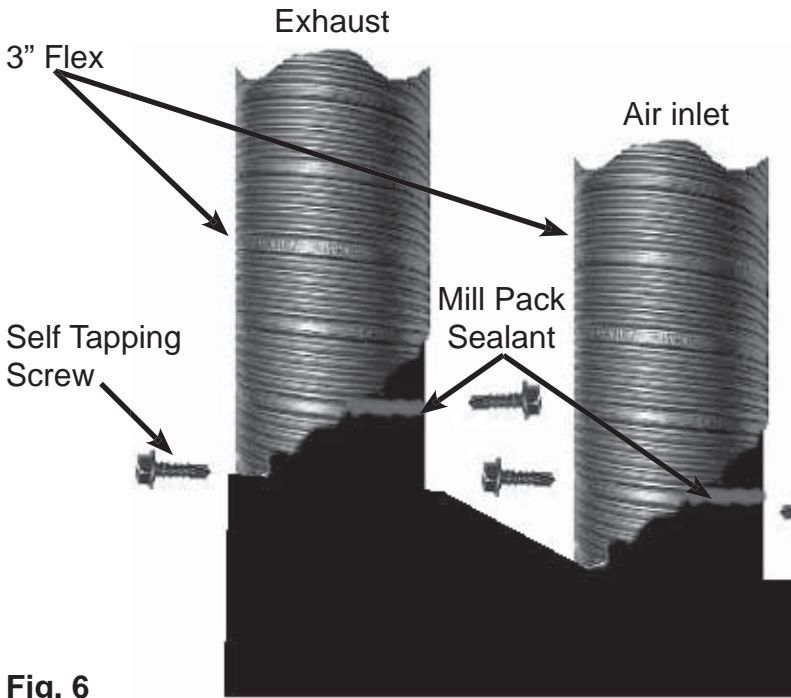


Fig. 6

Some general venting rules for best venting performance:

1. Observe local code restrictions, if any, regarding the installation of this type of gas appliance.
2. Terminate the vent with a suitable vent termination.

When installed in accordance with the manufacturer's instructions the combustion air supply will be in the same pressure zone as the vent outlet.

This direct vent appliance must be installed using an approved venting system. All vent pipe joints must be sealed with a high temperature sealant in order to meet the ANSI/CSA leakage limit standards.

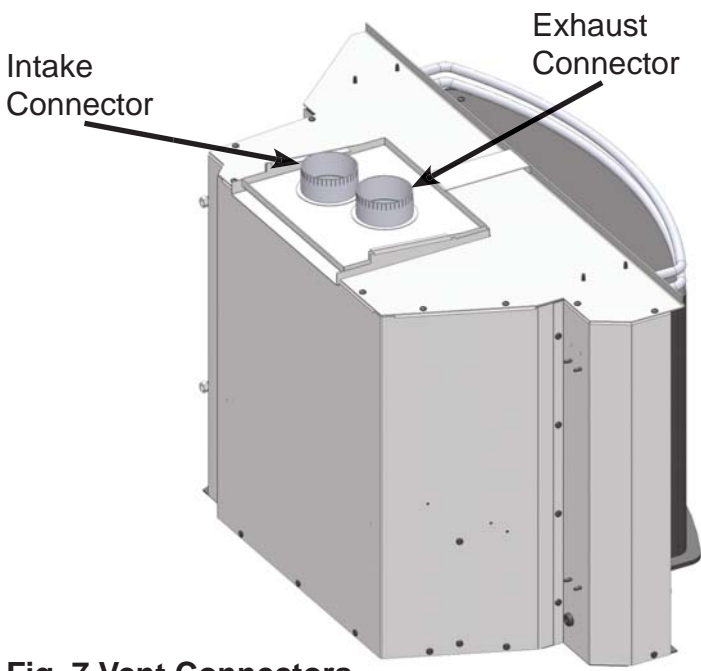


Fig. 7 Vent Connectors

VENT TERMINAL CLEARANCES

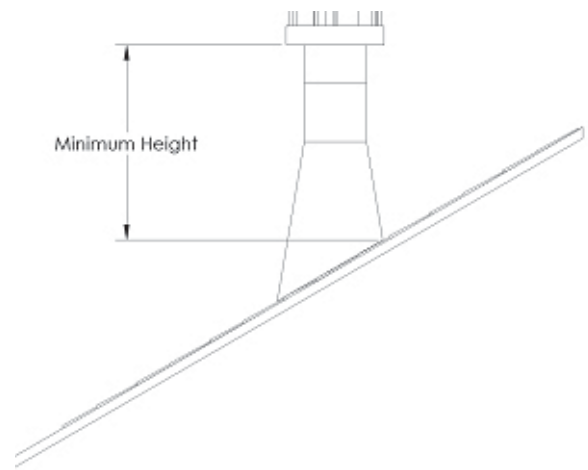


Fig. 8 Consult local codes for minimum vent cap height above the roof (X), vent must be a minimum of 2' from any wall.

INSTALLATION INSTRUCTIONS cont.

SHROUD INSTALLATION

After the unit has been installed it is time to install the shroud. The shroud exist of two parts, the bigger piece gets attached to the unit permanently and covers the fireplace opening, see fig. 9 below. The smaller piece (outer shroud) can be installed and removed for servicing. (see Fig. 11). Fig. 10 on next page shows full installation.

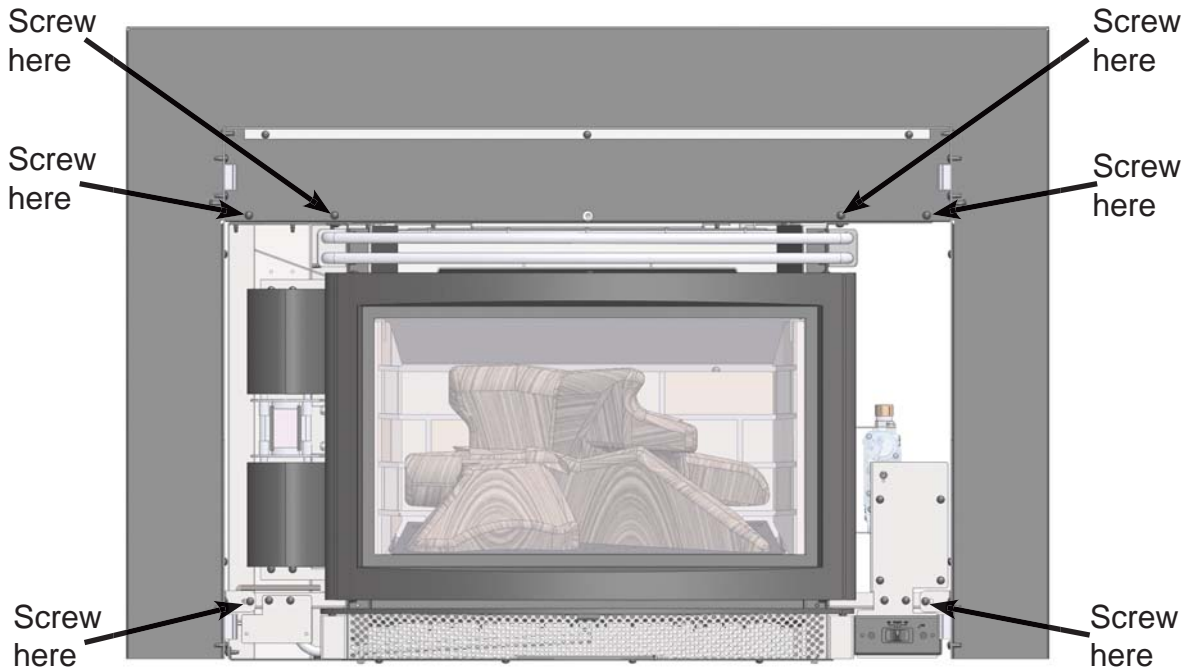
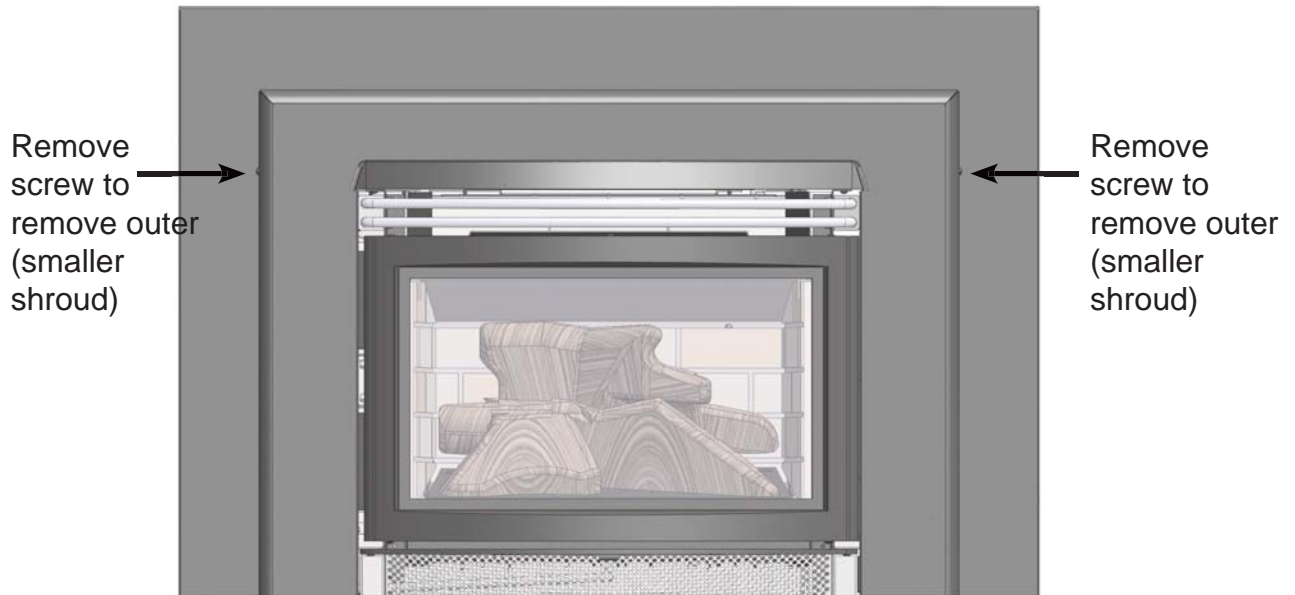
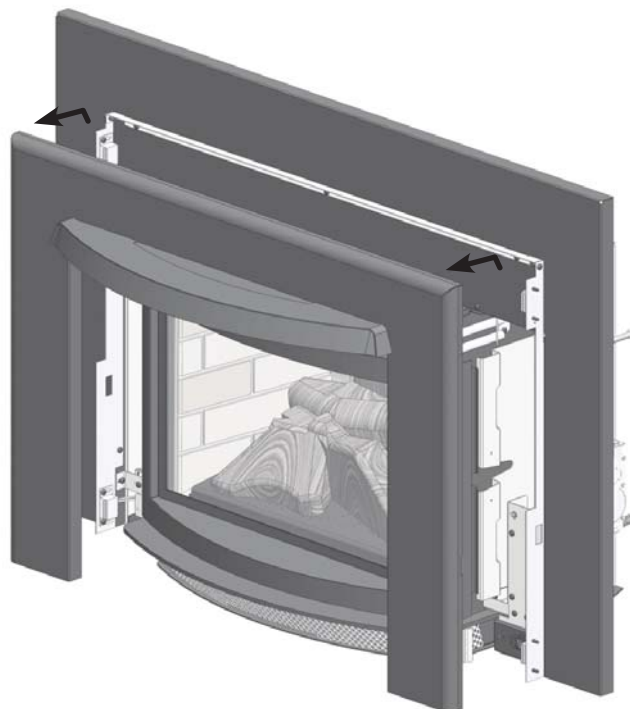


Fig. 9

INSTALLATION INSTRUCTIONS cont.**REMOVAL OUTER SHROUD**

To remove the smaller outer shroud undo 2 screws and lift and pull the shroud off (see fig. 11). This removal is required to access and service the unit. Make sure to reinstall the screws after servicing to prevent the shroud from falling off and cause property damage, personal injury or loss of life.

**Fig. 10 Finished shroud kit installation****Fig. 11**

INSTALLATION INSTRUCTIONS cont.

PLACEMENT OF LOGS



Step 1: Place rear log on log on pins near the rear center of the burner.



Step 3: Install pins in holes “arrows” and place final log on pins as shown.



Step 2: Install pins in holes “arrows” and place next log on pins and log support.



INTERMITTENT PILOT FLAME

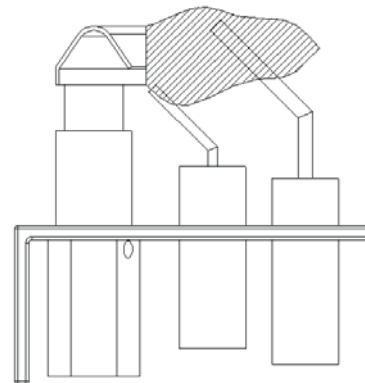


Fig. 12

WARNING :

Do not place the logs in any other configuration than the one shown. Fire, explosion or excessive carbon monoxide (CO) may result, causing property damage, personal injury or loss of life.

INTERMITTENT PILOT & VALVE

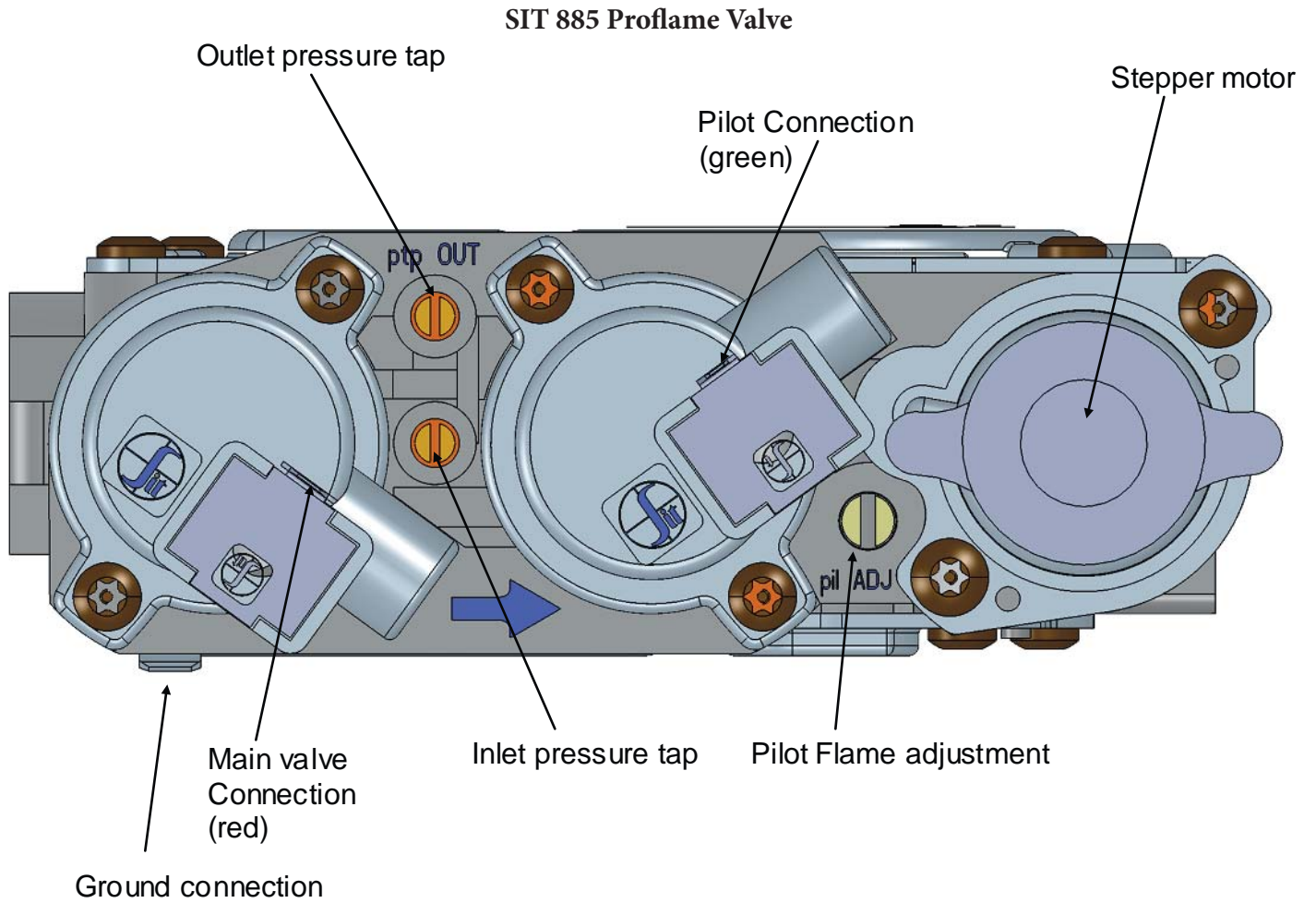


Fig. 13

INTERMITTENT PILOT & VALVE cont.

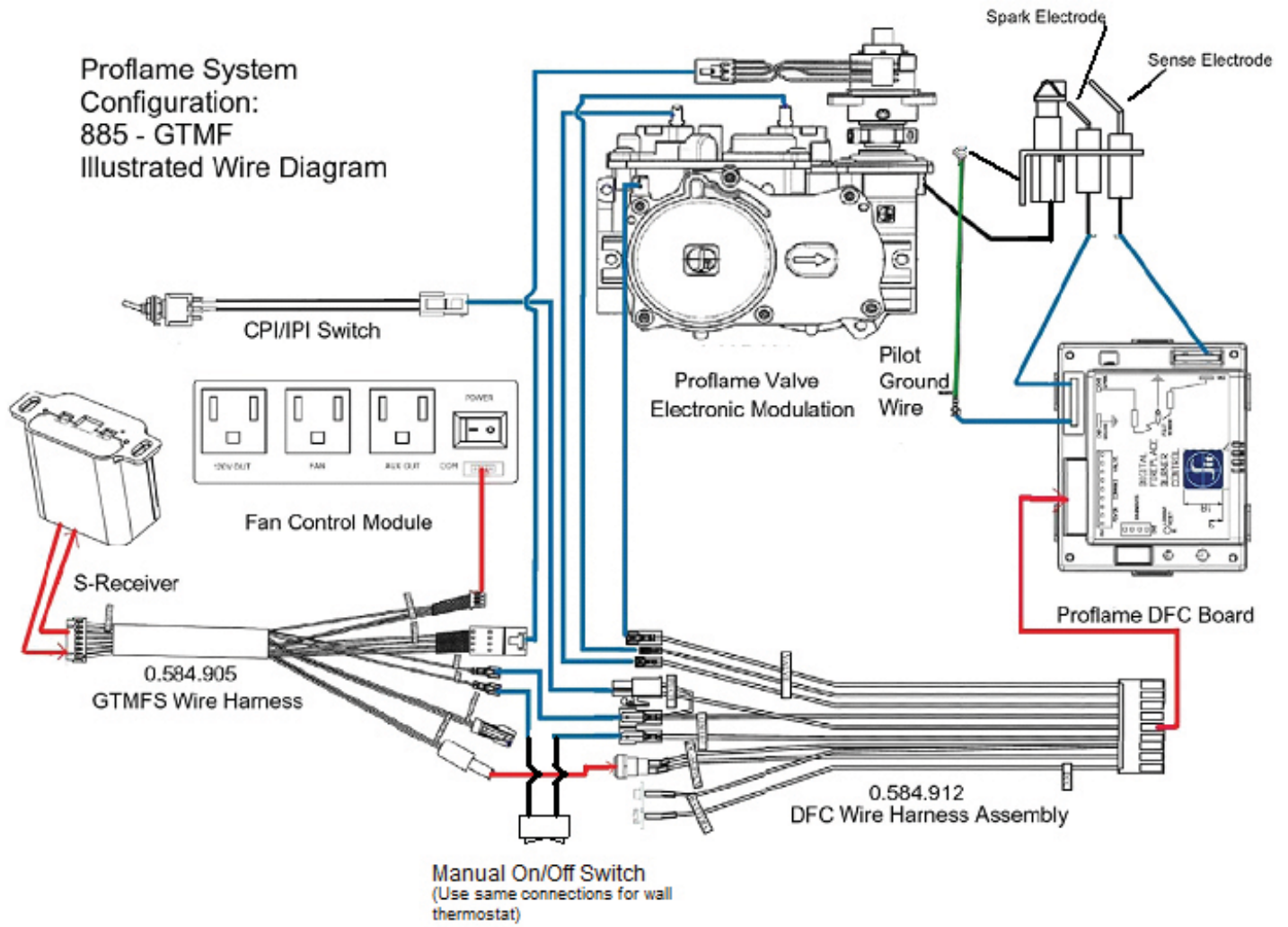


Fig. 14

WIRING DIAGRAM

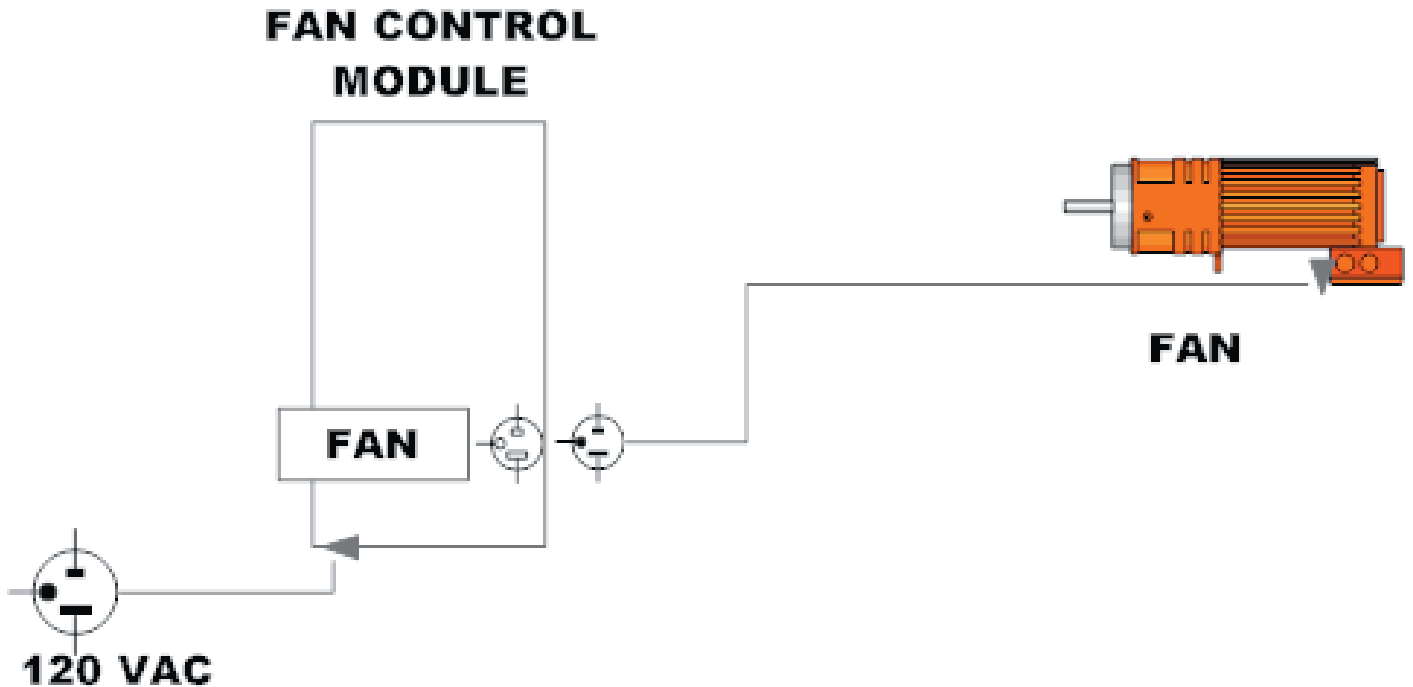


Fig. 15

WARNING

Electrical Grounding Instructions

This appliance is equipped with a three prong (grounding) plug for your protection against shock hazard and should be plugged directly into a properly grounded three prong receptacle . Do not cut or remove the grounding prong from this plug.

The Appliance, when installed, must be electrically grounded in accordance with local codes or, in the absence of local codes, with the National Electrical Code, ANSI/NFPA 70, or the Canadian Electrical Code, CSA C22.1.

CAUTION:

Label all wires prior to disconnection when servicing controls.
Wiring errors can cause improper and dangerous operation.

Verify proper operation after servicing.

LIGHTING INSTRUCTIONS

FOR YOUR SAFETY, READ BEFORE LIGHTING

WARNING: If you do not follow these instructions exactly, a fire or explosion may result causing property damage, personal injury or loss of life.

- A. This appliance is equipped with an ignition device which automatically lights the pilot. Do not try to light the pilot by hand.
- B. BEFORE LIGHTING smell all around the appliance area for gas. Be sure to smell next to the floor because some gas is heavier than air and will settle on the floor.
WHAT TO DO IF YOU SMELL GAS:
 - Do not try to light any appliance.
 - Do not touch any electric switch; do not use any phone in your building.
 - Immediately call your gas supplier from a neighbor's phone. Follow the gas supplier's instructions.
 - If you cannot reach your gas supplier, call the fire department.
- C. Do not use this appliance if any part has been under water. Immediately call a qualified service technician to inspect the appliance and to replace any part of the control system and any gas control which has been under water.

LIGHTING INSTRUCTIONS

1. **STOP!** Read the safety information above on this label.
2. Set the thermostat to the lowest setting.
3. Turn off all electric power to the appliance.
4. Do not attempt to light the pilot by hand.
5. Wait five (5) minutes to clear out any gas. Then smell for gas, including near the floor. If you smell gas, STOP! Follow "B" in the safety information above on this label. If you don't smell gas, go to the next step.
6. Turn on all electric power to the appliance.
7. You must now synchronize the remote with the Receiver/Battery Pack (for 1st time use) by pressing the PRG button on the Battery Pack (fig. 1 (Battery Pack is situated behind the Pedestal front or Louvers)) followed by pressing the "ON" button on the Remote.
8. Press the "ON" button on the Remote (fig. 2) or if not using the Remote turn the switch on the Battery Pack to the "ON" position (see figure1).
9. If the appliance will not operate, follow the instructions "To Turn Off Gas To Appliance" and call your service technician or gas supplier.

TO TURN GAS OFF TO APPLIANCE

1. Press the "OFF" button on the remote or if not using the remote turn the switch on the battery pack to the "OFF" position. (See fig. 1)
2. Turn off all electric power to the appliance.

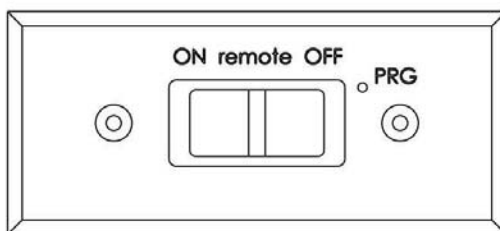


FIG 1: RECEIVER / BATTERY PACK

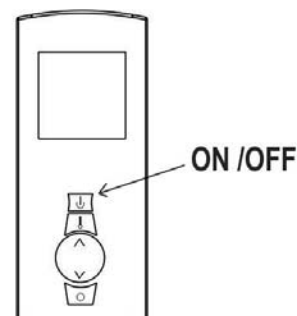


FIG 2: REMOTE CONTROL

#0361Se

THERMOSTAT REMOTE CONTROL

OPERATING PROCEDURE

Initializing the System for the first time

Install the 4 AA batteries into the receiver battery bay. Note the polarity of battery and insert into the battery bay as indicated on the Battery cover (+/-). Place the 3 position slider switch in the “Remote” position (Fig. 3). Using the end of a paper clip, or other similar object, insert the end of the paper clip into the hole marked “PRG” on the Receiver front cover (Fig. 3). The Receiver will “beep” three (3) times to indicate that it is ready to synchronize with a Transmitter. Install the 3 AAA type batteries in the Transmitter battery bay, located on the base of the Transmitter. With the batteries already installed in the Transmitter, push the On button. The Receiver will “beep” four times to indicate the Transmitter’s command is accepted and sets to the particular code of that Transmitter. The system is now initialized.

Temperature Indication Display

With the system in the “OFF” position, press the Thermostat Key and the Mode Key at the same time. Look at the LCD screen on the Transmitter to verify that a C or F is visible to the right of the Room Temperature display. (Fig. 6)



Fig. 6: Remote Control display in Fahrenheit and Celsius.



Fig. 3: Receiver body

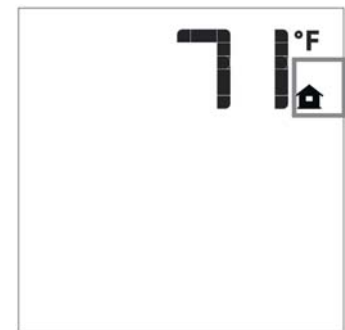


Fig. 7: Remote Control display.

Turn on the Appliance

Press the ON/OFF Key on the Transmitter. The Transmitter display will show all active Icons on the screen. At the same time the Receiver connects the thermopile to the gas valve millivolt coil and the appliance main burner turns on. A single “beep” from the Receiver will confirm reception of the command.

Turn off the Appliance

Press the ON/OFF Key on the Transmitter. The Transmitter LCD display will only show the room temperature and Icon (Fig. 7). At the same time the Receiver disconnects the thermopile from the gas valve millivolt coil and the appliance burner turns off. A single “beep” from the Receiver confirms reception of the command.

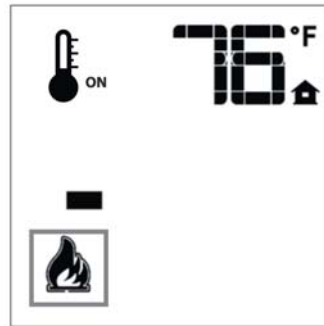
THERMOSTAT REMOTE CONTROL cont.

Remote Flame Control

The proflame GTMF has six (6) flame levels. With the system on, and the flame level at the maximum in the appliance, pressing the Down Arrow Key once will reduce the flame height by one step until the flame is turned off. The Up Arrow Key will increase the flame height each time it is pressed. If the Up Arrow Key is pressed while the system is on but the flame is off, the flame will come on in the high position. (Fig. 8 & 9) A single “beep” will confirm reception of the command.



Fig 8: Flame Off



Flame Level 1

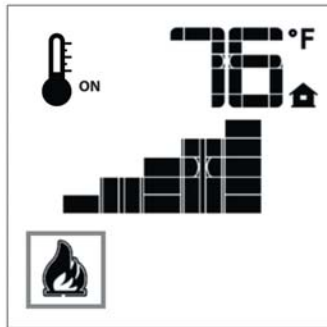
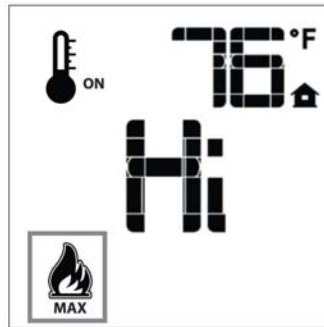


Fig 9: Flame Level 5



Flame Level Maximum

Room Thermostat (Transmitter Operation)

The Remote Control can operate as a room thermostat. The thermostat can be set to a desired temperature to control the comfort level in a room.

To activate this function, press the Thermostat Key (Fig. 1). The LCD display on the Transmitter will change to show that the room thermostat is “ON” and the set temperature is now displayed (Fig. 10). To adjust the set temperature, press the Up or Down Arrow Keys until the desired set temperature is displayed on the LCD screen of the Transmitter.

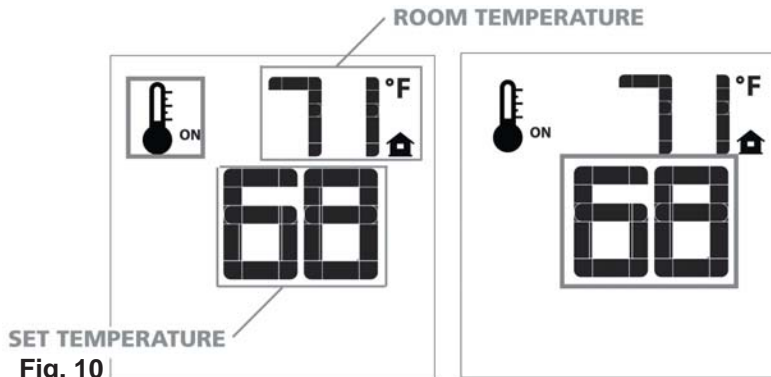


Fig. 10

Fig. 11

THERMOSTAT REMOTE CONTROL cont.

Smart Thermostat (Transmitter Operation)

The Smart Thermostat function adjusts the flame height in accordance to the difference between the set point temperature and the actual room temperatures. As the room temperature gets closer to the set point the Smart Function will modulate the flame down. To activate this function, press the Thermostat Key (Fig. 1) until the word “SMART” appears to the right of the temperature bulb graphic (Fig. 12). To adjust the set temperature, press the Up or Down arrow Keys until the desired set point temperature is displayed on the LCD screen of the Transmitter (Fig. 13).

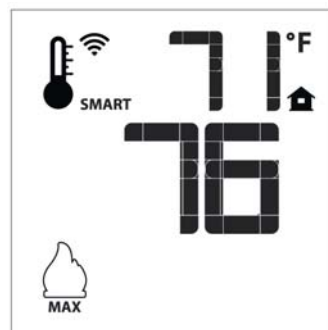


Fig. 12: Smart flame function

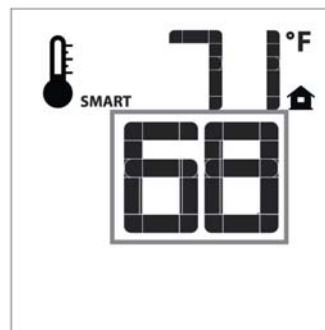


Fig. 13

Fan Speed Control

If the appliance is equipped with a hot air circulating fan, the speed of the fan can be controlled by the Proflame system. The fan speed can be adjusted through six (6) speeds. To activate this function use the Mode Key (Fig. 1) to index to the fan control Icon (Fig. 14). Use the Up Down Arrow Keys (Fig. 1) to turn on, off or adjust the fan speed (Fig. 15). A single 'beep' will confirm reception of the command.

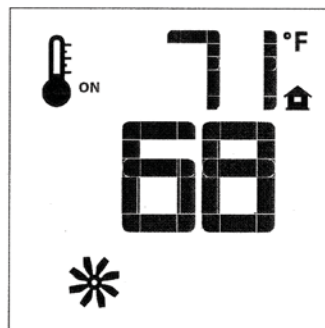


Fig. 14

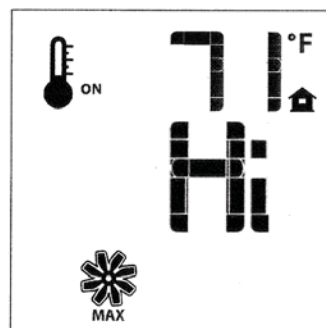


Fig. 15

THERMOSTAT REMOTE CONTROL cont.

Remote Actuated 120V Auxiliary Outlet

The auxiliary function controls the AUX power outlet on the Fan Control Module. To activate this function use the Mode Key (Fig. 1) to index to AUX Icon (Fig. 16 & 17). Pressing the Up Arrow Key will activate the outlet. Pressing the Down Arrow Key will turn the outlet off. A single 'beep' will confirm the reception of the command.



Fig. 16

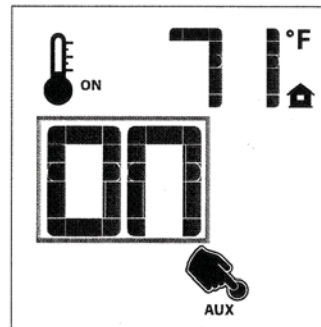


Fig. 17

Key Lock

This function will lock the keys to avoid unsupervised operation. To activate this function, press the MODE and the UP Arrow Key at the same time (Fig. 18). To de-activate this function, press the MODE and the UP Arrow Key at the same time.

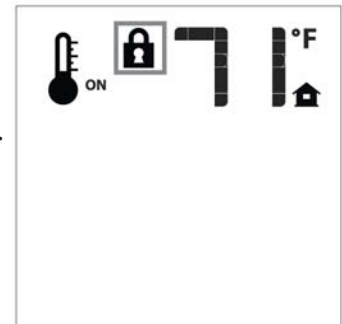


Fig. 18

LOW BATTERY DETECTION

Transmitter

The life span of the remote control batteries depends on various factors: quality of the batteries used, the number of ignitions of the appliance, the number of changes to the room thermostat set point, etc. When the Transmitter batteries are low, a Battery Icon will appear on the LCD display of the Transmitter (Fig. 19) before all battery power is lost. When the batteries are replaced this Icon will disappear.

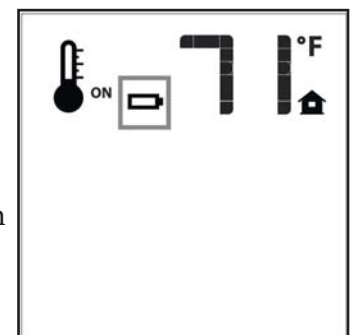


Fig. 19

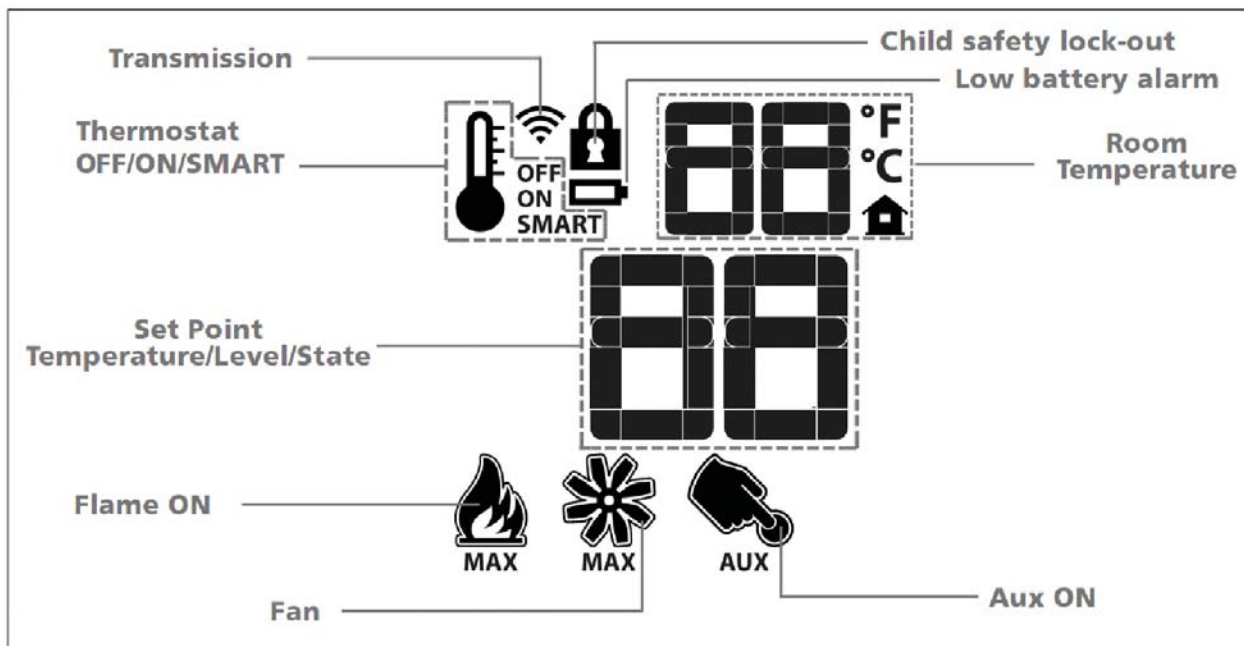
Receiver

The life span of the Receiver batteries depends on various factors: quality of the batteries used, the number of ignitions of the appliance, the number of changes to the room thermostat set point, etc. When the Receiver batteries are low, No "beep" will be emitted from the Receiver when it receives an On/Off command from the Transmitter. This is an alert for a low battery condition for the Receiver. When the batteries are replaced the "beep" will be emitted from the Receiver when the ON/OFF Key is pressed (See Initialization of The System).

THERMOSTAT REMOTE CONTROL cont.

MANUAL BYPASS OF THE REMOTE SYSTEM

If the batteries of the Receiver or Transmitter are low or depleted, the appliance can be turned on manually by sliding the three position slider switch on the Receiver to the ON position. This will bypass the remote control feature of the system and the appliance main burner will come on if the gas valve is in the “On” position.



CONTINUOUS PILOT

The pilot on this unit will light automatically when turning the unit on.

If a standing pilot is preferred (especially in cold weather), the pilot can be run continuously by switching the continuous pilot switch to the ON position. The switch is located behind the pedestal cover, above the Receiver / Battery pack.

MAINTENANCE

CAUTION:

Do not conduct maintenance on the appliance while it is operating or while it is still hot. Make sure switch on the Battery pack / Receiver is in OFF position. Turning the electric supply off will not prevent unexpected ignition !!

CLEANING THE APPLIANCE

The exterior surfaces and glass may be cleaned with a , non-abrasive cloth and water or a suitable, mild, non-abrasive cleaner.

Regularly,

- Clean and remove any lint accumulations or debris from the grills and in any combustion and convection air passage ways.
- Keep the appliance area free from combustible materials, such as paper, wood, clothing, gasoline and flammable solids, liquids and vapors.
- Check for unusual noise, odor and operation of the appliance.
- Check the vent terminal for any damage, or obstruction by plants or debris accumulation.
- Visually check the height and color of the burner and pilot flames.

Once a Year have a qualified service technician,

- Completely inspect the appliance and the venting system.
- Clean and remove any lint accumulations or debris in the firebox, on the burners, on the pilot, at the primary air opening, on the convection air blower and in any combustion and convection air passage ways, see "FAN REMOVAL AND INSTALLATION" on page 32
- Check the safety system of the gas valve.

WARNING :

All parts removed or disturbed must be properly replaced after maintenance. Service and repair must be conducted by a qualified service person. If these instructions are not followed, a fire or explosion may result, causing property damage, personal injury or loss of life.

VERIFY PROPER OPERATION AFTER SERVICING

PLATING

- The plating requires little maintenance and needs only to be cleaned with a soft damp cloth. Do not use any abrasive cleaning materials.
- Avoid fingerprints on gold. Wipe off fingerprints before firing.

DOOR

- Check the gasket to see that it is still forming a seal. Replace gasket if there is any sign of wear.

VIEWING GLASS REPLACEMENT:

- This appliance is supplied with high temperature 5mm high temperature ceramic glass that will easily withstand the heat your unit was designed to produce. In the event the glass breaks, contact your dealer or BLAZE KING to arrange for your glass to be replaced / repaired.

MAINTENANCE cont.

IMPORTANT - GLASS CLEANING - WHITE MINERAL DEPOSITS

One of the by products of the combustion process in a gas appliance, is a mineral which can show up as a white film on the ceramic glass of the viewing door. The composition of the deposit varies widely from various locations and also from time to time in the same location. You may have the problem for a time and then not see it for many months when it will reappear in your area. It seems this is associated with the varying sulfur content of the gas. We have discussed this problem with ceramic glass manufacturers and they cannot give us a definitive answer to this problem. Dealers have tried various cleaning products with varying results. The following recommendations will not guarantee results in your particular case. Ensure the stove is completely cooled before any glass service work is attempted. Make sure switch on the Battery pack / Receiver is in OFF position.

Turning the electric supply off will not prevent unexpected ignition !!

Clean the glass regularly as soon as you notice the buildup (white film). If the film is left for a long period of time build up will bake on. It is then much harder, if not impossible, to remove.

1. NEVER use an abrasive cleaner on the ceramic glass. Any abrasion of the surface has the immediate effect of lessening the strength of the glass. An emulsion type cleaner is recommended.
2. Use a soft damp cloth to apply the cleaner. Dry the glass with a soft, dry, preferably cotton cloth. Most paper towels and synthetic materials are abrasive to ceramic glass and should be avoided.
3. Our dealers have had good results from the products listed below. We can not however guarantee the results of these products.
 - a) BRASSO
 - b) POLISH PLUS by KEL KEM
 - c) COOK TOP CLEAN CREME by ELCO
 - d) WHITE OFF by RUTLAND

NOTE: This is a problem beyond Blaze King's control and is not covered under warranty.

NOTICE: COLD WEATHER OPERATION

When using any gas appliance (LPG or NAT Gas) water is a by product of the combustion process. Under normal conditions this moisture is expelled through the vent into the atmosphere and does not cause any harm. In extreme cold weather the vapor may condense and freeze on any exposed surface it comes into contact with. This can cause a problem by restricting or blocking the vent, particularly with direct vent wall terminations as the exhaust is only a few inches away from the outside wall surface. What happens to the moisture after it leaves the vent cannot be controlled by the manufacturer. To extend the vent further out from the wall can sometimes but not always be an advantage. Extending the vent out from the wall may present other design problems such as ice falling from the eaves above. It is the homeowners responsibility to ensure that there is not an excessive build-up of ice on the termination.

CAUTION:

WHEN OPERATING YOUR APPLIANCE DURING COLD WEATHER YOU MUST FREQUENTLY CHECK THE EXHAUST CAP FOR EXCESSIVE ICE BUILD UP. If the appliance begins to operate abnormally—Poor flame pattern, shutting down, etc..., this could be an indication of ice build up.

SERVICING

SERVICING UNDER WARRANTY

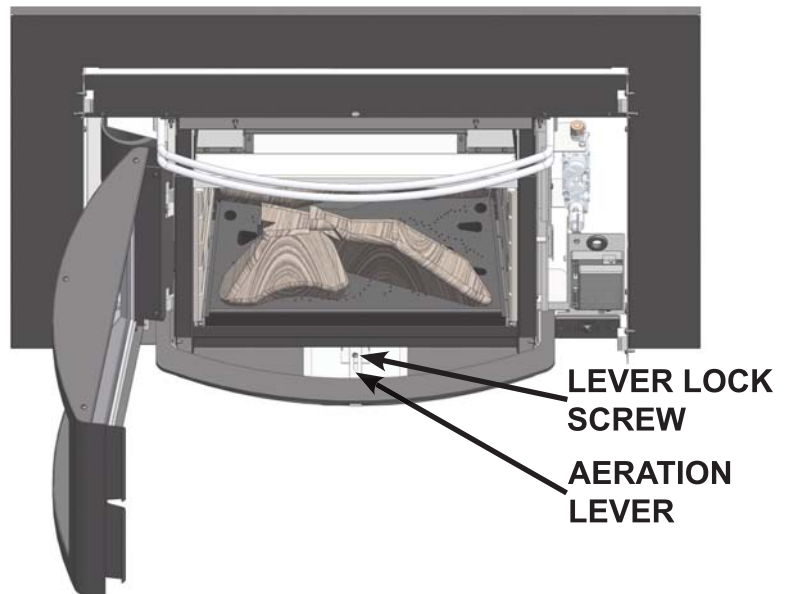
Before servicing, read the terms and conditions of the Blaze King warranty at the back of this manual. Contact the Blaze King authorized dealer which you purchased the appliance from and provide him with details of the problem and the installation information which the installer filled out at the back of the manual.

WARNING:

Servicing of this appliance must be conducted by a qualified service technician. Improper servicing, adjustment or alteration of this appliance may cause property damage, personal injury or loss of life. All servicing should be conducted with the appliance cold.

ADJUSTING PRIMARY AIR

1. Remove outer shroud, see "INSTALLATION INSTRUCTIONS cont." on page 14.
2. Open the door.
3. Loosen the Robertson lever lock screw holding the aeration lever.
4. Pulling the lever increases aeration, pushing the lever decreases aeration.
5. Tighten the lever lock screw once there is satisfactory adjustment.



CHANGING MAIN BURNER ORIFICE

1. Remove the outer shroud, see "INSTALLATION INSTRUCTIONS cont." on page 14
1. Open the door, remove logs and firebox liner panels.
2. Remove the burner.
3. Use a 3/8" wrench to unscrew the orifice.
4. Change the orifice. Do not over tighten.
5. Replace all parts in reverse order and properly set the primary air shutters according to the specifications
6. Check for leaks.

CHECKING INLET AND OUTLET GAS PRESSURE

1. The pressure test taps are located on the valve.
2. The taps are located in the front, see "INTERMITTENT PILOT & VALVE" on page 16
3. Loosen the set screw inside the tap with a 1/8" wide flat screw driver.
4. Connect a 1/4" rubber tube to the tap and a pressure gauge.
5. Be sure to tighten the set screw inside the tap after you are finish taking pressure readings.

SERVICING cont.**GLASS DOOR REMOVAL****Removing the Glass Door**

1. Remove outer shroud, see “INSTALLATION INSTRUCTIONS cont.” on page 14
2. Unhook the door latch.
3. Swing the door open.
4. Using a screw driver, remove the top glass retainer, making sure to hold the glass from falling out.
5. Lift out and remove door glass with the gasket attached.
6. If the glass door is damaged, it must be replaced with another glass door certified with this appliance only.
7. Replacement glass doors are available through your Blaze King dealer, see “REPLACEMENT PARTS” on page 35

Replacing the Glass Door

1. Check the condition of the glass and the gasket before installing door.
2. Replace the window glass and gasket and re-install the top glass retainer.
3. Swing the door shut and re-attached the door latch.

If the glass has been damaged contact your dealer and replace the glass and gasket with a new glass and gasket provided by your dealer.

WARNING:

- Do not use any substitute materials for glass components.
- Do not abuse glass door such as striking or slamming shut.
- Do not operate this appliance with cracked or broken glass.
- Clean glass with a soft, non-abrasive cloth and water or a suitable, mild, non-abrasive cleaner.
- Do not use abrasive cleaners.
- Do not clean or remove glass when the appliance is hot.

WARNING:

Do not operate appliance with the glass front removed, cracked or broken. Replacement of the glass should be done by a licensed or qualified service person.

FUEL CONVERSION

WARNING:

This conversion kit shall be installed by a qualified service agency in accordance with the manufacturer's instructions and all applicable codes and requirements of the authority having jurisdiction. If the information in these instructions is not followed exactly, a fire, explosion or production of carbon monoxide may result causing property damage, personal injury or loss of life. The qualified service agency is responsible for the proper installation of this kit. The installation is not proper and complete until the operation of the converted appliance is checked as specified in the manufacturer's instructions supplied with the kit.

CONVERSION KIT CONTENTS

This conversion kit contains the following parts:

1. Z0712 (LPG)> # 53 and LPG Stepper motor kit.
2. Z0714 (NG)> # 38 and NG Stepper motor kit.
3. Conversion Kit labels.

To convert from NG to LPG or reverse, follow the next steps:

1. Replace orifices, see "BURNER TRAY REMOVAL AND INSTALLATION" on page 31 for Burner tray removal & installation.
2. Replace stepper motor (see next page).
3. Convert pilot fuel (see instructions below).

How to convert Pilot fuel:

1. Use a 7/16" wrench to loosen the pilot hood.
2. Push the little tab in and the little tab with hole should pop out. The hole stamp tab (LP) out is used for Propane. The stamped tab (NA) out is for Natural Gas.
3. Re-tighten the pilot hood.

Fill out the fuel conversion label on the appliance (inside side doors)

See "INSTALLATION INSTRUCTIONS cont." on page 15 for proper pilot and burner flame pictorials.

All valves have been pre-set and certified for installation at elevations from 0 – 4500 feet (1 – 1372m) above sea level.

HIGH ELEVATIONS

When installing this unit at higher elevations, it is necessary to decrease the input rating by replacing the existing burner orifice with a smaller size for installations over 4500 feet (1370 m). The appliances input should be reduced 4% for each additional 1000 feet (305 m) above sea level. For the USA, de-rate the unit from sea level according to the gas installation code.

Altitude	NG	LPG
0 – 4,500 ft (0 – 1372 m)	36	52
4,500 – 6,500 ft (1372 – 1981 m)	38	53

FUEL CONVERSION cont.

STEPPER MOTOR PRESSURE REGULATOR CONVERSION KIT INSTALLATION OR REPLACEMENT INSTRUCTIONS.

Verify that the following items are present in the package.

- Pressure regulator assembly (E)
- Two (2) screws (F)
- Identification label (G)
- Installation instructions (this document).

- 1** Shut off the gas supply to the valve and shut down the electric supply.
- 2** See Fig. 1. Using a Torx T20, or slotted screwdriver, remove and discard the two (2) pressure regulator mounting screws (A), pressure regulator tower (B), and the spring and diaphragm assembly (C), (If applicable).
- 3** Ensure the rubber gasket (D), which is prefitted as part of assembly (E), is properly positioned, see Fig. 2, otherwise fit the gasket as shown Fig. 2.
- 4** Install the new STEPPER MOTOR pressure regulator assembly, as shown in Fig. 3 and Fig. 4. Use the supplied screws (F), M4 x 0.7 threaded, length of thread $L=(16\text{ mm} + 0 - 0.5\text{ mm})$, steel material, resistance class 8.8 (see Fig. 5).
- 5** Manually thread the two conversion kit mounting screws into the valve body. Use a standard screwdriver or T20 Torx bit and tighten to the screws with a fixing torque of $25\text{lb-in} \pm 5\%$.
IN THE EVENT THAT THE THREADS OF THE VALVE ARE STRIPPED OR DAMAGED, **REPLACE THE VALVE.**
- 6** Install the enclosed identification label (G) to the valve body where it can be easily seen.
- 7** Make STEPPER MOTOR and valve electrical connections, apply gas to system and relight appliance according to manufacturers instructions.
- 8** With the main burner "ON", test the new pressure regulator assembly for leaks using a soap solution.
- 9** Relight the main burner and verify proper burner ignition and operation.

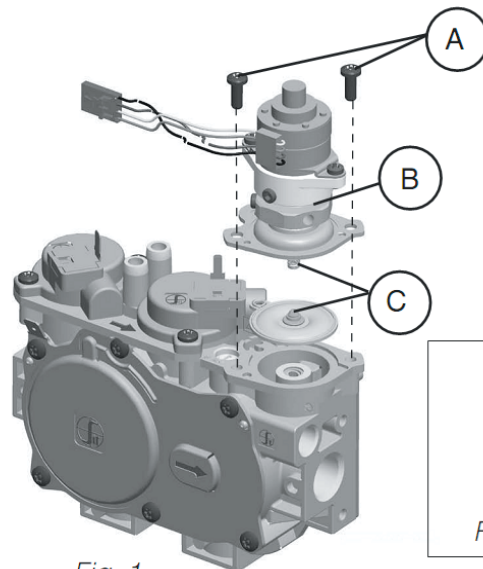


Fig. 1

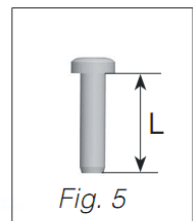


Fig. 5

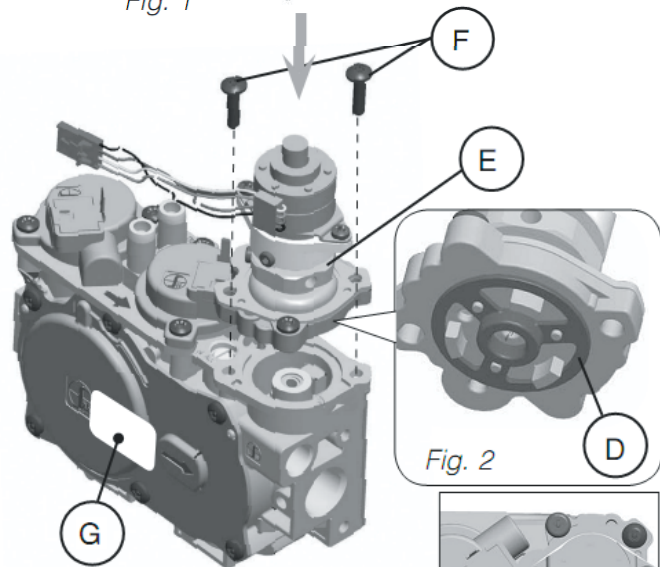


Fig. 3

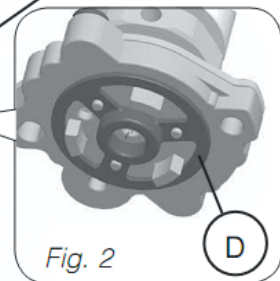


Fig. 2

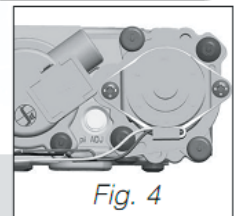


Fig. 4

WARNING!
Installation should be carried out in a clean environment.

WARNING!
This modulating conversion kit must **ONLY** be applied as part of a conversion kit supplied by the **APPLIANCE MANUFACTURER** for the specific appliance, and type of gas, being converted.

WARNING!
Correct operation of the system cannot be guaranteed if the conversion kit or valve has been dropped or has sustained a strong impact.

INSTALLER NOTICE. These instructions must be left with appliance.

BURNER TRAY REMOVAL AND INSTALLATION

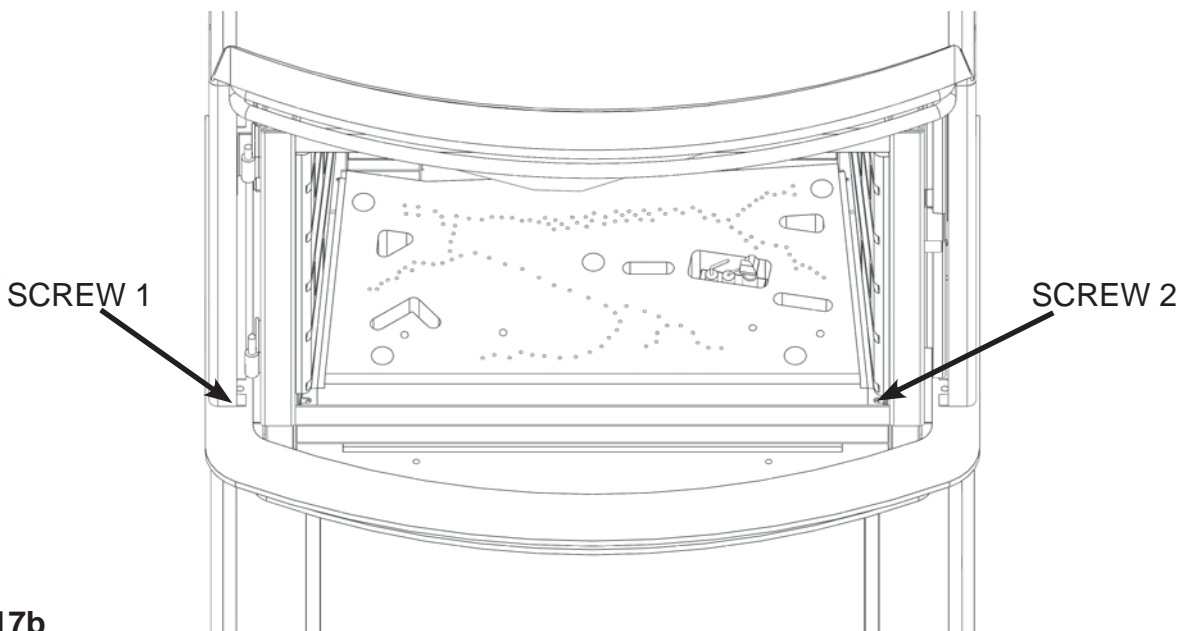
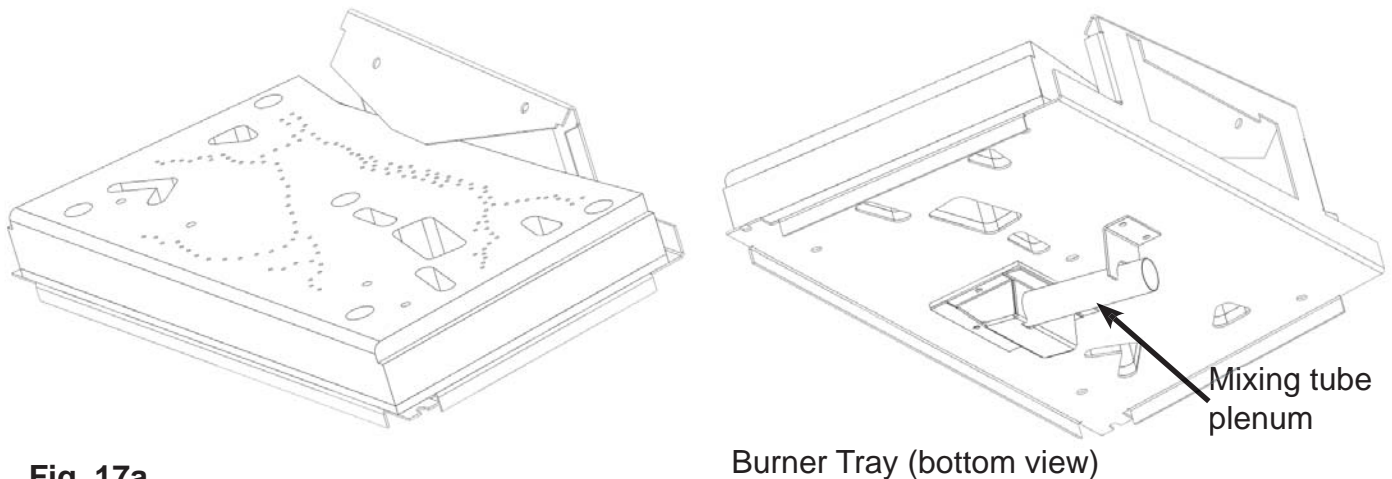
To remove the burner tray from the firebox, follow these steps:

1. Disconnect the gas and electricity to the appliance
2. Open door
3. Take out logs and brick panels
4. Unscrew the two screws holding the burner in place (see fig 10b)
5. Lift out burner at front and take out of firebox

INSTALL BURNER TRAY

When placing the burner tray back into the firebox, make sure the mixing tube plenum (see fig 17a) slides over the orifice. Screw burner tray into firebox with two screws (see fig 10b), backup quarter turn on one of the screws (for expansion in material).

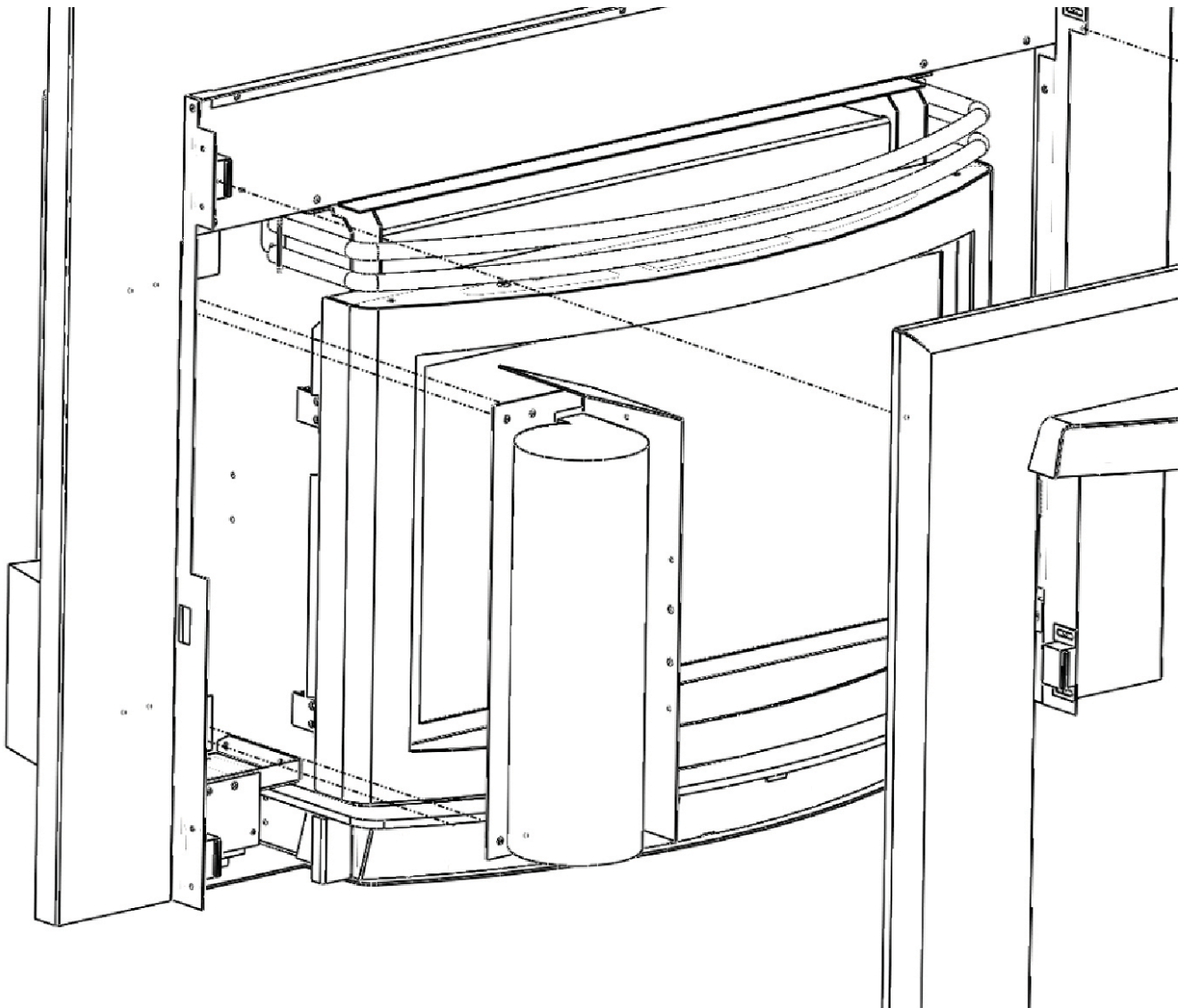
When properly installed you should NOT be able to lift up the Burner tray at the back, the burner should just move slightly (the distance between orifice and inside plenum tube) .



FAN REMOVAL AND INSTALLATION

To remove the fan, for maintenance or replacement, is easily accomplished by the following steps:

1. Disconnect electrical power to the appliance.
2. Remove outer shroud, see “INSTALLATION INSTRUCTIONS cont.” on page 14
3. Disconnect all wires, be sure to label wires prior to disconnecting to ensure they are replaced in the correct location.
4. Remove the 4 screws holding the fan to the rear shell.
5. Installation is the reverse order of the previous steps.



TROUBLESHOOTING

Please check to make sure the instructions are followed exactly before attempting trouble shooting of the appliance.

WARNING:
Troubleshooting and servicing of gas and electrical devices of the appliance should only be conducted by a qualified service technician.

SYMPTOM	ACTION
The pilot will not stay lit.	<ol style="list-style-type: none"> 1. Confirm that the Spark electrode and sense electrode wires are properly connected to the DFC board, see "INTERMITTENT PILOT & VALVE" on page 16. 2. Confirm that the Pilot burner is properly grounded to the DFC board and stove chassis. 3. Check the power source or the battery pack connections and condition of batteries.
If the main burner does not come ON when the manual switch or remote control is turned ON.	<ol style="list-style-type: none"> 1. Confirm that the pilot sparks and lights. 2. Confirm that the Spark electrode and sense electrode wires are properly connected to the DFC board, see "INTERMITTENT PILOT & VALVE" on page 16 3. If using the remote control check the condition of the batteries. 4. Check if there is gas supply to the appliance.
Pilot will not light.	<ol style="list-style-type: none"> 1. When lighting the appliance for the first time after installation or after servicing, there is air in the gas line. It takes a while for all the air to purge out of the pilot before gas can reach the pilot and ignite. Remove the glass door and try lighting the pilot many times to purge the air. 2. Check to make sure the gas supply to the appliance is turned on and there is adequate gas supply pressure to the appliance. 3. Check for sparks between the spark electrode and the pilot head when the unit is turned on. If there are no sparks, <ol style="list-style-type: none"> a) Check for broken or poor connection from the sparker to the electrode. b) Check for the spark shorting or arcing at other locations. c) Check for defective sparker. d) Check for defective spark electrode. e) Check the power source or the battery pack connections and condition of batteries.
The main burner shuts off when the appliance is warm.	<ol style="list-style-type: none"> 1. This may be the normal operation of a wall thermostat installed to appliances. 2. Check for good pilot flames on the flame sensor see Fig.3 "INSTALLATION INSTRUCTIONS cont." on page 15. 3. Check for proper functioning of venting system (including termination for blockage). 4. Check wire connections. Expansion from heat affects a loose connection. 5. Check for adequate grounding from the Module, see "INTERMITTENT PILOT & VALVE cont." on page 17

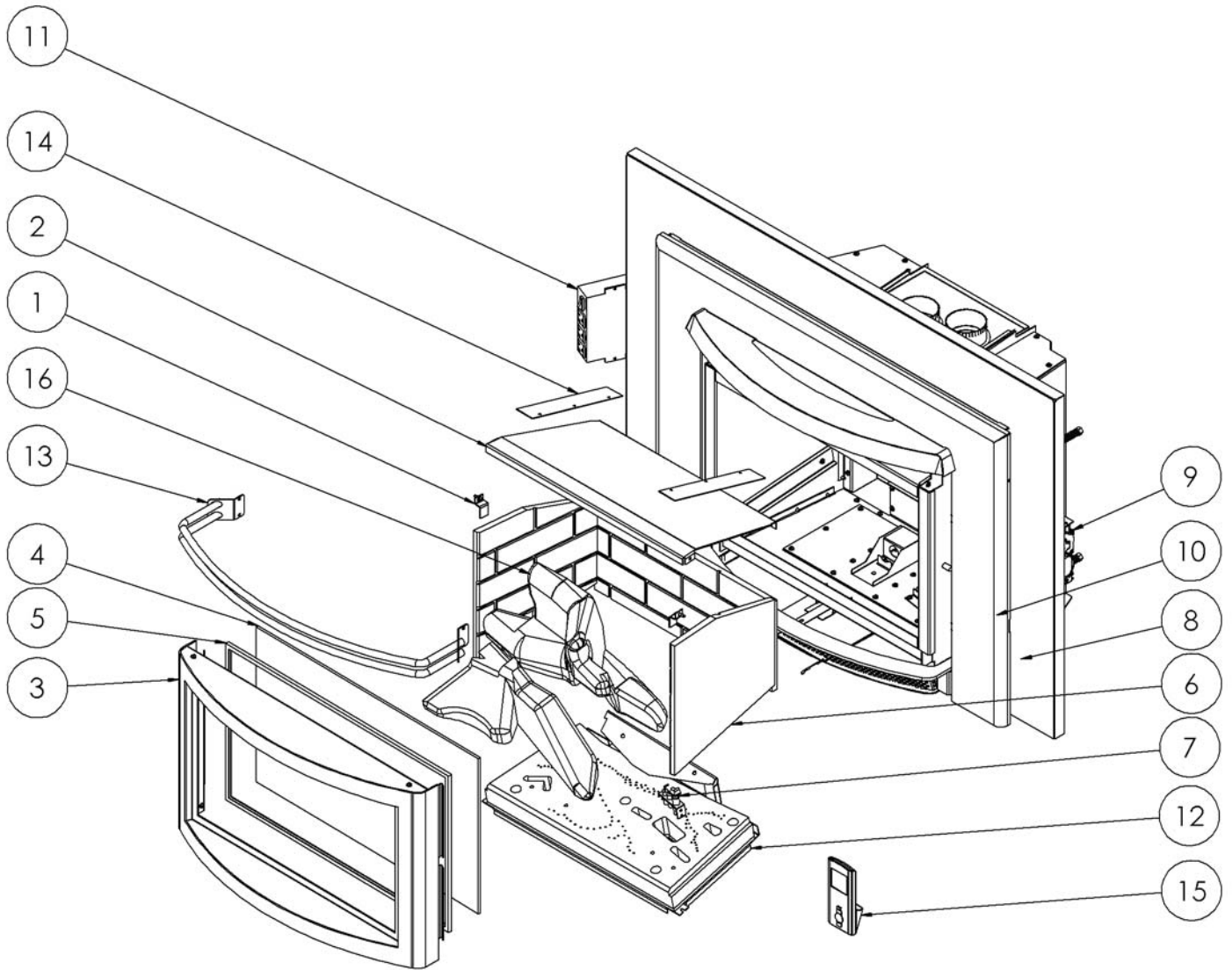
TROUBLESHOOTING cont.

SYMPTOM	ACTION
Sooty deposits on the glass door.	<ol style="list-style-type: none"> 1. If the flame is yellow and lazy, check for lint etc. around primary air shutter. Increase primary air by opening the primary air shutter if necessary, see "SERVICING" on page 27. 2. Check for proper placement of the logs and branches. Ensure logs and burner are clean, see "INSTALLATION INSTRUCTIONS cont." on page 15. 3. Check for proper venting and blockage of the vent termination. 4. Check manifold pressure and clock input rating for over-firing.
Sharp blue flames with flames lifting off the burner at the ends.	<ol style="list-style-type: none"> 1. Too much primary air. Reduce primary air by closing the primary air shutter. During cold temperatures, some flame lifting may occur during start-up, see "SERVICING" on page 27.
Convection blower does not turn on.	<ol style="list-style-type: none"> 1. The convection fan is thermostatically controlled. It will only turn on when the appliance is warmed-up. This may take up to 5 minutes with the appliance on high. 2. Check for 120VAC electrical supply to the appliance. (Is the cord plugged in?) 3. Check if speed controller is not in OFF position. 4. Check electrical connections. 5. Check for defective convection blower speed controller. 6. Check for defective convection blower.

REPLACEMENT PARTS

No Expl. View	Item #	Description	QTY	Unit
	OM1607	OWNERS MANUAL, TORINO II Insert 1607	1	EA
	Z0712	CONVERSION KIT-NATURAL GAS to PROPANE 0-4,500ft	1	EA
	Z0713	CONVERSION KIT-NATURAL GAS to PROPANE 4,500-6,500ft	1	EA
	Z0714	CONVERSION KIT-PROPANE to NATURAL GAS 0-4,500ft	1	EA
	Z0715	CONVERSION KIT-PROPANE to NATURAL GAS 4,500-6,500ft	1	EA
1	6065	BRICK PANEL CLIP	2	EA
2	1736	FIREBOX BAFFLE	1	EA
3	1618	DOOR	1	EA
4	1666	CERAMIC DOOR GLASS	1	EA
5	0254C-6ft	DOUBLE BULB TADPOLE	1	EA
6	1613	BRICK PANEL SET (3 PIECES)	1	EA
7	0712A	PSE PILOT	1	EA
8	SIT004	PROFLAME RECEIVER with FAN TIMING	1	EA
9	SIT001	VALVE with STEPPER MOTOR	1	EA
10	SIT003	IGNITION CONTROL	1	EA
11	SIT002	FAN CONTROL	1	EA
12	1619	BURNER TRAY ASSEMBLY	1	EA
13	Z1634	SATIN TRIM SET	1	EA
14	1851	VENT RESTRICTOR	2	EA
15	SIT005	TRANSMITTER	1	EA
16	0823	TORINO II LOG SET 1606/1607	1	EA
	SIT006	IPI HARNESS with SWITCH	1	EA
	SIT007	REMOTE CONTROL HARNESS	1	EA
	0719F	FAN BLOWER	1	EA

REPLACEMENT PARTS cont.



WARRANTY

BLAZE KING GAS LIMITED WARRANTY

Blaze King and its respective brands extend the following warranty for gas appliances purchased from an authorized Blaze King dealer and installed in the United States of America or Canada. Warranty starts with date of purchase by the original owner (End User) except as noted for replacement parts.

Warranty Period		Components Covered	
Parts	Labor	Gas	
1 Year		X	All parts, materials and surface finishes (flaking and peeling). Except as covered by Conditions Exclusion, and Limitations listed
2 Years		X	Igniters, Thermocouple, Thermopile Molded Refractory Panels, Log sets, Fan assembly, Ignition components, Gas valve, Burner components, Thermostat
5 Years	2 Years	X	Firebox & Heat Exchanger
10 Years	2 Years	X	All Exterior Steel Cabinets (excluding paint finishes) Glass (thermal breakage only)
1 Year		X	Other Replacement Parts
See Conditions, Exclusions, and Limitations			

WARRANTY cont.

Blaze King Gas Limited 10 Year Warranty

Blaze King is the manufacturer of the Blaze King line of heating products. At Blaze King, our commitment to the highest level of quality and customer service is the most important thing we do. Each Blaze King stove is built on a tradition of using only the finest materials and is backed by our limited lifetime warranty to the original purchaser. With Blaze King, you're not just buying a fireplace or stove, you're buying a company with years of unequalled performance and quality.

Limited 10 Year Warranty:

Under this warranty, Blaze King covers the fireplace or stove, exterior body, pedestals, legs and glass (thermal breakage only) against defects in materials and workmanship, for part repair or replacement for (10) years from original purchase date and limited labor for the first two (2) years to the original purchaser. This warranty does not cover exterior finishes. Please see the exclusions and limitation section below as certain restrictions and exclusions apply to this warranty.

Limited 5 Year Warranty:

Under this warranty, Blaze King covers the fireplace or stove firebox and heat exchanger against defects in materials and workmanship, for part repair or replacement for the first five (5) years and limited labor for the first two (2) years to the original purchaser. This Warranty covers: Heat Exchanger, Steel Firebox Panels and any steel components not covered under the ten (10) year Warranty excluding burner components and gas components. Please see the exclusions and limitation section below as certain restrictions and exclusions apply to this warranty.

Limited Two (2) Year Warranty:

Under this warranty, Blaze King covers: Gas Assembly, Burner components (ceramic and steel), Log sets, Blower and control, Temperature Sensors, thermocouple, thermopile, electronic ignition components and wire harness against defects in materials and workmanship, for part repair or replacement for the first two (2) years and limited labor for the first two (2) years to the original purchaser. Please see the exclusions and limitation section below as certain restrictions and exclusions apply to this warranty.

Limited One (1) Year Warranty:

Under this warranty, Blaze King covers all exterior surface finishes against defects in materials and workmanship, for part repair or replacement and limited labor for the first (1) year to the original purchaser. Please see the exclusions and limitations section below as certain restrictions and exclusions apply to this warranty.

How the Warranty Works (Includes Conditions, Exclusions and Limitations)

1. All warranties by the manufacturer are set herein and no claim shall be made against the manufacturer on any oral warranty or representation. All claims under this Limited Warranty must be made in writing by your dealer.
2. Any stove or part thereof that is repaired or replaced during the Limited Warranty period will be warranted under the terms of the Limited Warranty for a period not exceeding the remaining term of the original Limited Warranty or six (6) months, whichever is longer.
3. For any part or parts of this stove, which in our judgment show evidence of defects, Blaze King reserves the option to repair or to replace the defective product through an accredited distributor or agent, provided the defective part is returned to the distributor or agent, transportation prepaid, if requested.
4. If you discover a problem that you think may be covered by the Limited Warranty, you MUST REPORT it to your Blaze King dealer WITHIN 30 DAYS from the date the problem was first detected, giving them proof of purchase and the date of purchase. The dealer will investigate the problem and work with Blaze King to determine whether the problem:
 - a) Is covered by the Limited Warranty or
 - b) Can be fixed in your home or does the product need to be returned to Blaze King for repair.
5. If Blaze King determines that the stove needs to be returned to Blaze King for repair, the customer has the responsibility and the expense of removing it from their home and shipping it to Blaze King. If the problem is covered by the Warranty, Blaze King will repair or replace the item at their discretion and the customer will be responsible for return shipping and re-installation in their home.
6. If the problem is not covered by the Limited Warranty, the customer will be responsible for all repair costs, as well as all storage, shipping and the cost of removing and re-installing the stove.

WARRANTY cont.

If you are not satisfied with the service provided by the Blaze King dealer, write to Blaze King at the address listed on the last page of the Owner's Manual. Include a copy of the original purchase invoice and a description of the problem.

Exclusions and Limitations:

1. This Warranty does not cover tarnish, discoloration or wear on the plated surfaces. Painted finishes will change colour after initial firing and will continue to change through the lifetime of the stove. This is normal occurrence for all high temperature coatings.
2. This Warranty excludes wear and tear or breakage caused by cleaning, moving or service on log set and panels.
3. Blaze King strongly recommends that installation be done by a certified installer. Failure to comply may adversely affect coverage under this warranty. This Limited Warranty covers defects in materials and workmanship only if the product has been installed in accordance with local building and fire codes; in their absence, refer to the owner's manual. If the product is damaged or broken as a result of any alteration, wilful abuse, mishandling, accident, neglect, or misuse of the product, the Limited Warranty does not apply.
4. The stove must be operated and maintained at all times in accordance with the instructions in the Owner's Manual. If the unit shows signs of neglect or misuse, it is not covered under the terms of this Warranty policy. Performance problems due to operator error will not be covered by the Limited Warranty policy.
5. Some minor expansion, contraction, or movement of certain parts and resulting noise, is normal and not a defect and, therefore, is not covered under this Limited Warranty.
6. Misuse includes over-firing. Over-firing this appliance can cause serious damage and will nullify the Limited Warranty.
7. The Limited Warranty will cover glass thermal breakage only and will not cover misuse of the stove glass, including but not limited to glass that is struck, has surface contaminates or has had harsh or abrasive cleaners used on it.
8. This warranty does not cover products made or provided by other manufacturers and used in conjunction with the operation of this stove without prior authorization from Blaze King. The use of such products may nullify the Limited Warranty on this stove. If unsure as to the extent of this Limited Warranty, contact your authorized Blaze King dealer before installation.
9. Blaze King will not be responsible for inadequate performance caused by environmental conditions.
10. The Limited Warranty does not cover installation and operational related problems such as use of downdrafts or spillage caused by environmental conditions. Environmental conditions include but are not limited to nearby trees, buildings, roof tops, wind, hills, mountains, inadequate venting or ventilation, excessive offsets, negative air pressures or other influences caused by mechanical systems such as furnaces, fans, clothes dryers etc.
11. The Limited Warranty is void if:
 - a) The stove has been operated in atmospheres contaminated by chlorine, fluorine or other damaging chemicals.
 - b) The stove is subject to submersion in water or prolonged periods of dampness or condensation.
 - c) Any damage to the unit, combustion chamber or other components due to water, or weather damage which is the result of, but not limited to, improper chimney/venting installation.
 - d) Salt air in coastal areas or high humidity can be corrosive to the finish; these environmental can cause rusting. Damage caused by salt air or high humidity is not covered by the Limited Warranty.
12. Exclusions to the Limited Warranty include: injury, loss of use, damage, failure to function due to accident, negligence, misuse, improper installation, alteration or adjustment of the manufacturer's settings of components, lack of proper and regular maintenance, alteration, or act of God.
13. The Limited Warranty does not cover damage caused to the fireplace or stove while in transit. If this occurs, do not operate the stove and contact your courier and/or dealer.
14. Limited Warranty does not extend to or include firebox paint, door or glass gaskets with damage caused by normal wear and tear, or exterior paint discoloration or chipping, worn gaskets, etc.
15. The Limited Warranty does not include damage to the unit caused by abuse, improper installation, or modification of the unit.
16. Damage to plated surfaces caused by fingerprints, scratches, melted items, or other external scores and residues left on the plated surfaces from the use of abrasive cleaners or polishes is not covered in this warranty.
17. The Limited Warranty does not cover tarnish, discoloration or wear on the plated surfaces.
18. The paint on the brick liner may peel. It is not a flaw and is not covered under warranty, due to extreme conditions in the firebox.

WARRANTY cont.

19. Blaze King is free of liability for any damages caused by the fireplace or stove, as well as inconvenience expenses and materials. The Limited Warranty does not cover incidental or consequential damages.
20. The Limited Warranty does not cover any loss or damage incurred by the use or removal of any component or apparatus to or from the Blaze King fireplace or stove without the express written permission of Blaze King and bearing a Blaze King label of approval.
21. Any statement or representation of Blaze King Products and their performance contained in Blaze King advertising, packaging literature, or printed material is not part of the Limited Warranty.
22. The Limited Warranty is automatically voided if the fireplace or stove's serial number has been removed or altered in any way. If the stove is used for commercial purposes, it is excluded from the Limited Warranty.
23. No dealer, distributor, or similar person has the authority to represent or warrant Blaze King Products beyond the terms contained within the Limited Warranty. Blaze King assumes no liability for such warranties or representations.
24. Blaze King will not cover the cost of the removal or re-installation of the stove, hearth, facing, mantels, venting or other components.
25. Labor to replace or repair items under this Limited Warranty will be covered per our warranty service fee reimbursement schedule. Labor rates are set per component and as such total labor costs may not be covered.
26. If a defect or problem is determined by Blaze King to be non warrantable, Blaze King will not be liable for travel costs for service work. In the event of in-home repair work, the customer will pay any in-home travel fees or service charges required by the Authorized Dealer.
27. At no time will Blaze King be liable for any consequential damages which exceed the purchase price of the unit. Blaze King has no obligation to enhance or modify any stove once manufactured (example: as a stove model evolves, field modifications or upgrades will not be performed).
28. This Limited Warranty is applicable only to the original purchaser and it is non-transferable.
29. This warranty only covers Blaze King Products that are purchased through an authorized Blaze King dealer.
30. If for any reason any section of the Limited Warranty is declared invalid, the balance of the warranty remains in effect and all other clauses shall remain in effect.
31. The Limited Warranty is the only warranty supplied by Blaze King, the manufacturer of the stove. All other warranties, whether express or implied, are hereby expressly disclaimed and purchaser's recourse is expressly limited to the Limited Warranty.
32. Blaze King and its employees or representatives will not assume any damages, either directly or indirectly, caused by improper usage, operation, installation, servicing or maintenance of this stove.
33. Blaze King reserves the right to make changes without notice. Please complete and mail the warranty registration card and have the installer fill in the installation data sheet in the back of the manual for warranty and future reference.
34. Blaze King is responsible for stocking parts for a maximum of seven (7) years after discontinuing the manufacture or incorporation of the item into its products. An exception to this would be if an OEM supplier is not able to supply a part.

NOTES

Installer: Please complete the following information

Dealer Name & Address: _____

Installer: _____

Phone #: _____

Date Installed: _____

Serial No.: _____