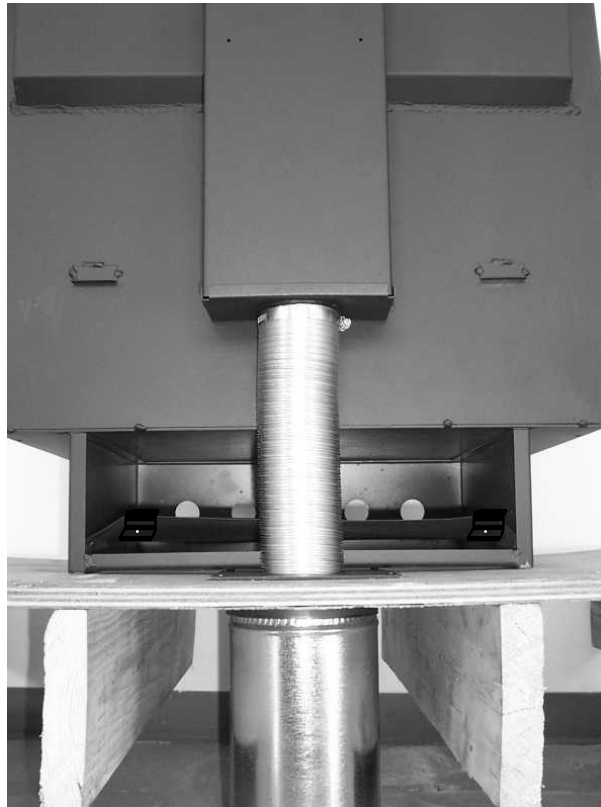
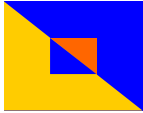


**Mobile Home Air kit 3”
Part # ZI726B
Mobile Home Air kit 4”
Part # ZI726**



Date: 07/14/03
Rev. date 10/22/07



Installation instruction for Mobile home air kit 3” or 4” Classic, Ultra & Parlor

First , remove all packaged parts from box and inspect them to see that there are no parts missing or damaged during shipping. See Fig 1,1

Check list

Qty	Description
1. 5	# 10 x 3/8 Sheet metal screws
2. 4	#10 x 1 1/4 wood screws
3. 1	3” flex hose with clamp
4. 3	1/4 x 3 lag screws
5. 3	Flat washer 1/4
6. 2	back locking brackets (classic)
7. 1	Front bracket 2 1/2 X 2 1/2 (classic)
8. 1	FA plate (Air cap)
9. 1	Floor plate with collar
10. 1	6” snap lock pipe
11. 2	Leg anchor brackets (parlor)
12. 2	5/16 x 3/4 bolt (parlor)
13. 2	Lock washer (parlor)

2 Back locking bracket



1 Front bracket

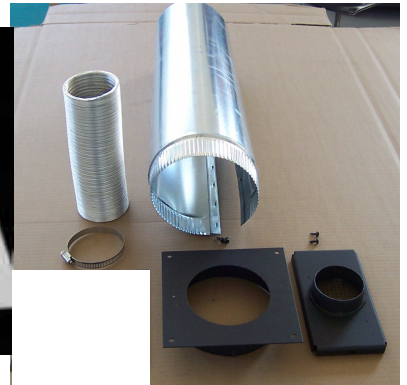
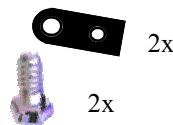
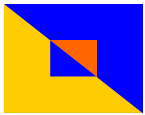


Fig 1,1



CLASSIC

1. Place the stove in it's intended position marking the front and rear corners of the stove for the location of the front bracket and at back for the floor plate (see fig 2,1)
2. Move the stove forward. Position the front bracket just behind the line and centered left to right, with the hole pointing to the back and the lip raised up.(fig 5,1) Secure with 1/4 X 3 lag screw and washer.
3. Drill a pilot hole and cut a hole 6 1/2 inch to fit the collar of the floor plate (see fig 3,1 and 4,1)
4. Attach the FA plate to the stove with two # 10 x 3/8 screws (Fig. 6.1).
5. Install the floor plate to the floor. Note: It might be easier to install the pipe if you assemble the floor plate and pipe before installing it into the hole (7,1 and 8,1) insert it into the hole of the floor as an assembly.
6. Slide the stove into it's final position ensuring the front is secure with the front bracket. Install the back locking brackets in the back using 1/4 x 3 lag screws and washers.
7. Pass flex pipe through the hole and secure to the stove adaptor at the stove, (see fig 11,1 and 12,1)
8. Voila..(Fig 13,1)



ULTRA

1. Place the stove and the floor plate in it's intended position and mark the position of the floor plate hole onto the floor. (Make sure floor plate is not too far under pedestal otherwise it will be in the way for the mounting hole, see step 6.)
2. Drill a pilot hole and cut a hole 6 1/2 inch to fit the collar of the floor plate (see fig 3,1 and 4,1)
3. Attach the FA plate to the stove with two # 10 x 3/8 screws. (Fig. 6.1)
4. Install the floor plate to the floor. Note: It might be easier to install the pipe if you assemble the floor plate and pipe before installing it into the hole (7,1 and 8,1) insert it into the hole of the floor as an assembly.
5. Slide the stove into it's final position . Fix the stove to the floor using 1/4 x 3 lag screws and washers. One hole is situated behind the pedestal and one in the pedestal and is to be reached after taking out the ash drawer. (see fig 16.1.)
6. Pass flex pipe through the hole and secure to the stove adaptor at the stove, (see fig 11,1 and 12,1)

PARLOR

1. First attach leg anchor brackets to 2 of the 4 stove legs using 5/16" bolts and lock washer supplied. (see Fig 14.1)
2. Place the stove and the floor plate in it's intended position and mark the position of the floor plate hole onto the floor.
3. Drill a pilot hole and cut a hole 6 1/2 inch to fit the collar of the floor plate (see fig 3,1 and 4,1)
4. Attach the FA plate to the stove with two # 10 x 3/8 screws (Fig. 6.1)
5. Install the floor plate to the floor. Note: It might be easier to install the pipe if you assemble the floor plate and pipe before installing it into the hole (7,1 and 8,1) insert it into the hole of the floor as an assembly.
6. Slide the stove into it's final position . Fix the stove to the floor using 1/4 x 3 lag screws and washers. (see Fig 15.1)
7. Pass flex pipe through the hole and secure to the stove adaptor at the stove, (see fig 11,1 and 12,1)



Fig. 2.1



Fig. 3.1

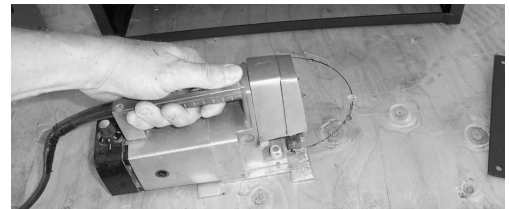


Fig. 4.1

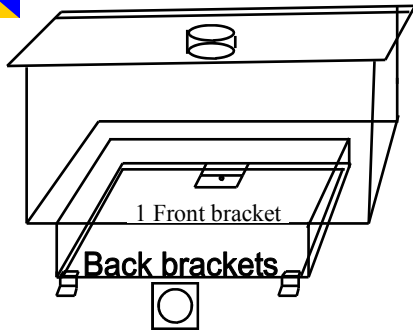


Fig. 5.1



Fig. 6.1



Fig. 7.1



Fig. 8.1

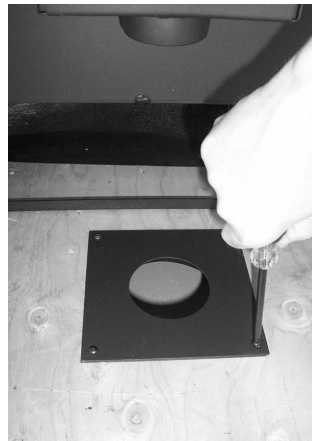


Fig. 10.1

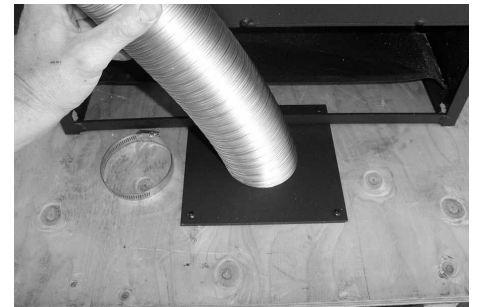


Fig. 11.1



Fig. 12.1



Fig. 13.1



Fig. 14.1



Fig. 15.1

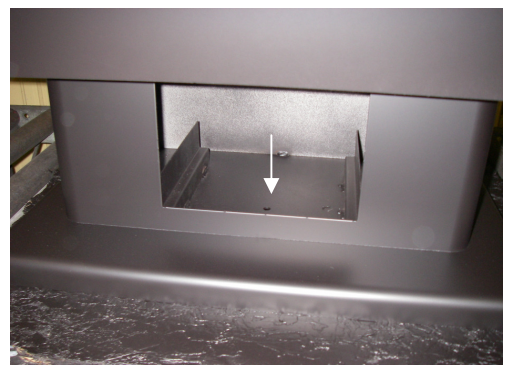


Fig. 16.1