

# Blaze King

## QUALITY HEARTH PRODUCTS

### INSTALLATION AND OPERATING INSTRUCTIONS

## CONTEMPORARY FREESTANDING DIRECT VENT HEATER MODEL 6003

Dealer:

Installer:

Phone:

Installation Date:

Serial Number:



**INSTALLER: PLEASE LEAVE THIS MANUAL WITH THE CUSTOMER**  
**CUSTOMER: PLEASE KEEP MANUAL FOR FUTURE REFERENCE**

**WARNING:** If the information in these instructions are not followed exactly, a fire or explosion may result causing property damage, personal injury may result.

- Do not store or use gasoline or other flammable vapors and liquids in the vicinity of this or any other appliance.

- WHAT TO DO IF YOU SMELL GAS

- Do not try to light any appliance.
- Do not touch any electrical switch; do not use any phone in your building.
- Immediately call your gas supplier from a neighbor's phone. Follow the gas supplier's instructions.
- If you cannot reach your gas supplier, call the fire department.

Installation and service must be performed by a qualified installer, service agency or the gas supplier.

MANUFACTURED IN CANADA BY:

Valley Comfort Systems Inc.  
1290 Commercial Way  
Penticton, BC V2A 3H5  
Ph# 1-250-493-7444  
Email sales@blazeking.com



Intertek

CERTIFIED FOR CANADA AND USA

MANUFACTURED IN USA BY:

Blaze King Industries  
146 A Street  
Walla Walla, WA. 99362  
Ph# 1-509-522-2730  
Email ussales@blazeking.com

*Pour la version française de nos manuels S.V.P. vous référez à notre site web: [www.blazeking.com](http://www.blazeking.com)*

# Table Of Contents

Description.....	Page #
Listing and Codes.....	3
Copy of certification label .....	4
Lighting Instructions.....	5
Specifications .....	6
High Altitude .....	6
Warnings, Caution and Safety Notices.....	7
Installation Instructions Safety.....	8
Planning Your Installation.....	8
Clearances To Combustibles .....	9
Rear Vent—Snorkel Installation .....	9
Simpson Duravent Parts List.....	10
American Metal & Security Parts List.....	11
Selkirk Direct-Temp™ Instructions.....	12
Top Vent - Venting Diagrams .....	13
Horizontal Termination Installation .....	15
Vent Restrictor Use And Installation.....	16
Vertical Termination Installation .....	16
Basements Installations .....	16
Through Roof Termination .....	17
45° Elbow Offset Information.....	18
Termination Location.....	19
Gas Supply.....	20
Aeration Adjustment.....	21
Thermostat.....	22
Log set Installation .....	22
Wiring Diagrams .....	23
Operating Instructions Pre Check.....	24
Final Check .....	25
Shut Down.....	25
Fan .....	26
Cold Weather Operation.....	26
Glass Cleaning—White Mineral Deposits.....	26
Maintenance Gas Valve Replacement .....	27
Viewing Glass Replacement .....	28
Door .....	28
High Altitude Chart .....	29
Optional Conversion Kits .....	30
Warranty.....	31
Troubleshooting.....	32-33
Replacement Parts List .....	33
Pilot Conversion.....	34
Notes / Service History .....	35

Your Blaze King Stove has its own personal serial number. No two stoves are alike.  
The serial number is located on the stove label inside the door on the left hand side of the stove.

Mail your warranty card TODAY, and SAVE your RECEIPT. This card is included with the accessory package inside each firebox.

In order to receive full warranty coverage and to expedite service, Blaze King recommends that you save your receipt and attach it to this page.

By doing this you will have all the necessary information in the event that your stove may need warranty service.

**Dealer** \_\_\_\_\_  
 \_\_\_\_\_  
**Installer** \_\_\_\_\_  
 \_\_\_\_\_  
**Phone** \_\_\_\_\_  
**Installation Date** \_\_\_\_\_  
**Serial Number** \_\_\_\_\_

## **Introduction**

Thank you for purchasing a *Blaze King* stove and welcome to the *Blaze King* family. Your new *Blaze King* will give you many hours of warmth and comfort. Please make sure you take a few minutes to read this owner's manual. It explains the steps required to safely assemble, install, operate, and maintain your new appliance. Proper installation, operation and maintenance will keep your *Blaze King* burning for years to come.

The *Contemporary* is one of the most advanced free standing gas stoves on the market. It is designed using the latest technology and manufactured to our highest quality standards.

Some of the many features are:

- ◆ Compact and easy to install.
- ◆ Adjustable flame control for varying flame aesthetics and heat output.
- ◆ Gas valve with remote capability, i.e. Standard wall mounted room thermostat or optional hand held remote control (check with your local dealer for availability).
- ◆ Heat activated convection fan with variable speed controller.
- ◆ Standard simulated brick firebox lining.
- ◆ Certified as a heating appliance. Therefore, the *Contemporary* is suitable for continuous operation for zone heating.
- ◆ Realistic three dimensional glowing flames with glowing three piece log set viewed through high temperature ceramic glass.
- ◆ Heavy-duty construction for long life and durability.
- ◆ Comprehensive warranty policy.



## **Listing & Codes**

The *Blaze King Contemporary* is listed and certified for installation in the U.S.A. and Canada under the following standards:

- ANSI Z21.88b-2007/CSA 2.33b-2007, *Vented Gas Fireplace Heater.*
- CAN/CGA-2.17 M-91, *Gas-Fired Appliances for Use at High Altitudes*

Please contact *Blaze King* if you have any questions regarding the certification of this appliance.


This appliance, when installed must be electrically grounded in accordance with local codes or, in the absence of local codes the National Electrical code ANSI/NFPA 70 in the U.S.A or the current CAN/CGA B149 Installation Code and the current Canadian Electrical code CSA C22.1 in Canada.

This appliance is for use only with the type of gas indicated on the rating plate. This appliance is not convertible for use with other gases, unless a certified kit is used.

This appliance may be installed as an OEM installation in a manufactured home (USA only). Mobile home installations (USA and Canada) must be done in accordance with the manufacturer's instructions and the manufactured home construction and safety standard, *Title 24 CFR, Part 3280* or Standard for *Installations in Mobile Homes, CAN/CSA Z240 MH.*

This appliance is for use only with the type(s) of gas indicated on the rating plate

Note: A copy of the certification label is provided here for your review. Due to constant up-grades it is possible that the information shown here may not coincide with the label as attached to the unit. In the event of a discrepancy between the labels, the label on the unit is considered as the correct one.



**Intertek**

Certified for U.S. and Canada  
Certifié pour le Canada et les Etas-Unis

**CONTEMPORARY / TUSCANY by BLAZE KING**

Listed Vented Gas Fireplace Heater

**Serial No. -** \_\_\_\_\_

This stove is factory equipped for 0-1370 m (0-4,500 ft)  
Cette chaufferette est équipée en usine pour une élévation de 0 à 1370m ( 0-4500 pi)

**ANSI Z21.88 - 2009/CSA 2.33-2009, "Vented Gas Fireplace Heaters", CAN/CGA-2.17-M91 "Gas-Fireplaces For Use At High Altitudes."**

Models: Contemporary 6003 / Tuscany 6003T rear and top vent appliances

NATURAL GAS / Gaz naturel       LP GAS / Gaz propane

Orifice (DMS) 0-1370 m 0-4,500 ft Alt. Orifice (DMS) 0-1370 m 0-4,500' d'altitude	37	53
Input rating (BTU/hr / kw) 0-1370m 0-4,500 ft Alt. Evaluation de la consommation (BTU/hr / kw) 0-1370m 0-4500' d'altitude	27,000 / 7.9	27,000 / 7.9
Minimum Input (BTU/hr / kw) Consommation minimale (BTU/hr / kw)	19,000 / 5.5	20,000 / 5.8
Manifold Pressure (in w.c. / kPa) Collecteur de pression (in w.c. / kPa)	3.5 / 0.87	10.0 / 2.49
Manifold Pressure Lo setting (in w.c. / kPa) Collecteur de pression à bas rendement (in w.c. / kPa)	1.6 / 0.4	6.3 / 1.57
Minimum Inlet Pressure (in w.c. / kPa) Entree de pression minimale (in w.c. / kPa)	5.0 / 1.24	12.0 / 3.00

This appliance must be installed in accordance with local codes if any: if not follow ANSI Z223.1 and CAN 1-B149 Gas Appliance Installation Code.  
Cet appareil doit être installé selon les normes locales (si existantes): si non, suivre le code d'installation pour appareils au gaz ANSI Z223.1 et CAN1-B149.

**VENTED GAS FIREPLACE-NOT FOR USE WITH SOLID FUEL. / NE PAS UTILISER AVEC DES COMBUSTIBLES SOLIDES**  
**FOR USE WITH GLASS DOORS CERTIFIED WITH THE APPLIANCE ONLY.**

ALSO FOR USE IN OEM / MOBILE (MANUFACTURED) HOMES AFTER HOME IS ON SITE. Convertible for use with natural gas or propane as follows:  
For natural gas when equipped with No. #37 orifice      For propane when equipped with No. #53 orifice

MAY BE INSTALLED IN A BEDROOM OR SITTING ROOM WHEN INSTALLED WITH A LISTED THERMOSTAT CONTROL IN CANADA. INSTALL AS PER ANSI Z223.1 IN THE USA.  
AU CANADA CET APPAREIL PEUT ETRE INSTALLE DANS UNE CHAMBRE A COUCHER OU UNE CHAMBRE MEUBLEE S'IL EST INSTALLE AVEC UNE COMMANDE DE THMOSTAT HOMOLOUEE. AUX ETATS-UNIS L'INSTALLER SELON LA NORME ANSI Z223.1

**MINIMUM CLEARANCES TO COMBUSTIBLES / ESPACES MINIMUM REQUIS ENTRE L'APPAREIL ET DES MATÉRIEAUX COMBUSTIBLES.**

Unit to Sidewall / De l'appareil au mur latéral	-	10.5" (266 mm)
Floor / Sol	-	Unprotected (in Canada & USA) / Sans protection (au Canada & USA)
Back wall to unit back	-	4" (100 mm)
Corner to wall (45°)	-	2" (50 mm)
Vent pipe (horizontal) / Tuyau d'émission	-	2" (50 mm)
Vent pipe (vertical) / Tuyau d'émission	-	1" (25 mm)

Electrical Rating: 115 Volts, 0.7 Amp, 60 Hz / Consommation électrique: 115 Volts, 0.7 ampère, 60Hz

**DANGER: Risk of electrical shock. Disconnect power before servicing unit. Do not route power cord beneath heater.**  
**DANGER: Rique de choc électrique. Débrancher l'appareil avant de le reviser. Ne pas faire passer le fil d'alimentation électrique dessous la chaufferette.**

This appliance is only for use with the type of gas indicated the rating plate and may be installed in an aftermarket, permanently located, manufactured (mobile) home where not prohibited by local codes. See owners manual for details. This appliance is not convertible for use with other gases, unless a certified kit is used.

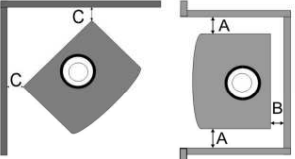
This vented gas fireplace is not for use with air filters.

**CAUTION: HOT WHILE IN OPERATION. DO NOT TOUCH. SEVERE BURNS MAY RESULT. KEEP CHILDREN, CLOTHING FURNITURE, GASOLINE AND OTHER LIQUIDS HAVING FLAMMABLE VAPORS AWAY.**  
Keep burner and control compartment clean. See installation and operating instructions accompanying appliance.

**CAUTION: DO NOT OPERATE THE APPLIANCE WITH THE GLASS REMOVED, CRACKED OR BROKEN. REPLACEMENT OF THE PANEL(S) SHOULD BE DONE BY A LICENSED OR QUALIFIED SERVICE PERSON.**

**MINIMUM ALCOVE CLEARANCES**

A Side Wall to unit side	11" (275mm)
B Back wall to unit back	4" (100mm)
C Corner to wall	2" (50mm)
Minimum Alcove Height	46" (1150mm)



Manufacture Date: / Date de fabrication:

<input type="checkbox"/> 2008	<input type="checkbox"/> 2009	<input type="checkbox"/> 2010	<input type="checkbox"/> 2011
<input type="checkbox"/> JAN	<input type="checkbox"/> FEB	<input type="checkbox"/> MAR	<input type="checkbox"/> APRIL / AVRIL
<input type="checkbox"/> MAY / MAI	<input type="checkbox"/> JUNE / JUIN	<input type="checkbox"/> JULY / JUIL	<input type="checkbox"/> AUGUST / AOÛT
<input type="checkbox"/> SEPT	<input type="checkbox"/> OCT	<input type="checkbox"/> NOV	<input type="checkbox"/> DEC

Manufactured in U.S.A. By: **Blaze King Industries**  
Fabriqué au U.S.A. par: 146 A Street, Walla Walla, WA 99362 U.S.A.

Manufactured in Canada By: **Valley Comfort Systems Inc.**  
Fabriqué au Canada par: 1290 Commercial Way, Penticton, B.C. V2A 3H5 Canada

P/N 0091ef Oct 09

OM6003.PUB  
© Blaze King Industries Canada Ltd June 2006

Page 4

DATE PRINTED: 4/7/11  
Version 1.07SIT

# Lighting Instructions

## FOR YOUR SAFETY, READ BEFORE LIGHTING

**WARNING:** If you do not follow these instructions exactly, a fire or explosion may result causing property damage, personal injury or loss of life.

- A. This appliance has a pilot which is lit with a pushbutton piezo lighter. When lighting the pilot, follow these instructions exactly.
- B. BEFORE LIGHTING, smell all around the appliance area for gas. Be sure to smell next to the floor because some gas is heavier than air and will settle on the floor.

**WHAT TO DO IF YOU SMELL GAS:**

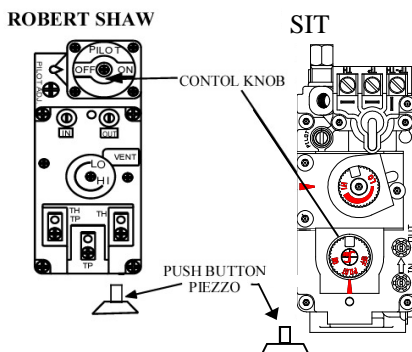
- Do not try to light any appliance.
  - Do not touch any electric switch; do not use any phone in your building.
  - Immediately call your gas supplier from a neighbor's phone. Follow the gas suppliers instructions.
  - If you cannot reach your gas supplier, call the fire department.
- C. Use only your hand to push in or turn the gas control knob. Never use tools. If the knob will not push in or turn by hand, don't try to repair it; call a qualified service technician. Force or attempted repair may result in a fire or explosion.
  - D. Do not use this appliance if any part has been under water. Immediately call a qualified service technician to inspect the appliance and to replace any part of the control system and any gas control which has been under water.

## LIGHTING INSTRUCTIONS

1. STOP! Read the safety information above.
2. Set the thermostat to the lowest setting.
3. Valve Controls are accessed by opening the panel on the right hand side of the pedestal.
4. Set the manual burner switch (located on the back of the unit) to the "OFF" position.
5. Push in gas control knob slightly and turn clockwise to "OFF".
6. Open Viewing Door. Wait five (5) minutes to clear out any gas. If you then smell gas, STOP! Follow "B" in the safety information above on this label. If you don't smell gas, go to the next step.
7. Turn control knob counterclockwise to "PILOT" position.
8. Depress control knob and push in Piezo ignitor button. Once pilot ignites, continue to hold the control knob in for about one (1) minute after the pilot is lit. Release knob and it will pop back up. Pilot should remain lit. If it goes out, repeat steps 6 through 8.
  - If knob does not pop up when released, stop and immediately call your service technician or gas supplier.
  - If the pilot will not stay lit after several tries, turn the gas control knob to "OFF" and call your service technician or gas supplier.
9. Close Viewing Door. Turn gas control knob counter clockwise to "ON". Turn on all electric power to the appliance. Set thermostat to the desired setting or set the manual burner switch to the "ON" position.

## TO TURN OFF GAS TO THE APPLIANCE

1. Set the thermostat to the lowest setting.
2. Turn off all electric power to the appliance if service is to be performed.
3. Push in gas control knob slightly and turn clockwise to "OFF". Do not force.



## WARNING:

*Improper installation, adjustment, alteration, service or maintenance can cause injury or property damage. Refer to the owner's information manual provided with this appliance. For assistance or additional information, consult a qualified installer, service agency or your gas supplier*

P/N 0092

## Specifications

MODEL <i>Contemporary</i>	Natural Gas (NG)	Propane (LP)
Manifold Pressure	1.6 - 3.5 in. w.c. (0.43 - 0.87kPa)	6.3 - 10.0 in. w.c. (1.57 - 2.49kPa)
Min. Supply Pressure for Purpose of Input Adjustment	5 in. w.c. (1.24 kPa)	12.0 in. w.c. (3.0 kPa)
Max. Supply Pressure for Purpose of Input Adjustment	7.0 in. w.c. (1.8 kPa)	14.0 in. w.c. (3.5 kPa)
Orifice Size	37# DMS	53# DMS
Nominal Input Rating	27,000 BTU/hr	27,000 BTU/hr
Minimum Input Rating	19,000 BTU/hr	20,000 BTU/hr
Operating Efficiency ( <i>fans off*</i> )	<b>82%</b>	<b>82%</b>
Altitude	0 - 4,500 ft. (0 - 1372 m)	0 - 4,500 ft. (0 - 1372 m)
Primary Air Opening	1/8 in (Minimum).	1/8 in (Minimum).
Electrical Rating	120 V.A.C. System	120 V.A.C. System
Circulating fan	Variable Speed	Variable Speed
Vent System	4" x 6-5/8"	4" x 6-5/8"
Log Set	Ceramic Fiber (2 Piece)	Ceramic Fiber (2 Piece)

\* Slightly Higher Efficiency may be obtained with fans on.

### HIGH ALTITUDE INSTALLATION

When installing this appliance over 4500 ft (1372 m) above sea level in Canada, the appliance must be properly de-rated and installed according to local codes. In the absence of local codes, install in accordance with CSA B149.1, in Canada. In the US for installations above 2000ft the appliance must be installed in accordance with the current National Fuel Gas Code, ANSI Z223.1/ NFPA 54 (see page 26).

A manufactured home (USA only) or mobile home OEM installation must conform with the Manufactured Home Construction and Safety Standard, *Title 24CFR, Part 3280*. When such a standard is not applicable use the standard for *Manufactured Home Installations*, ANSI/NCSBCS A225.1, or Standard for *Gas Equipped Recreational Vehicles and Mobile Housing*, CSA Z240.4.

<b>Contemporary - Stove Dimensions</b>	
<b>WIDTH</b>	22" / 559mm
<b>HEIGHT</b>	29.5" / 749mm
<b>DEPTH</b>	18" / 457mm

## **Warnings - Caution**

**IF THIS APPLIANCE IS NOT PROPERLY INSTALLED, A HOUSE FIRE OR EXPLOSION MAY RESULT. FOR YOUR SAFETY, FOLLOW THE INSTALLATION DIRECTIONS. CONTACT LOCAL BUILDING OR FIRE OFFICIALS ABOUT RESTRICTIONS AND INSTALLATION REQUIREMENTS IN YOUR AREA. PLEASE READ THIS ENTIRE MANUAL BEFORE YOU INSTALL AND USE YOUR NEW APPLIANCE. FAILURE TO FOLLOW INSTRUCTIONS MAY RESULT IN PROPERTY DAMAGE, BODILY INJURY OR DEATH.**

*Safe installation and operation always require common sense. We are also required by Canadian and ANSI safety standards to point out the following:*

**INSTALLATION AND REPAIR SHOULD BE DONE BY A QUALIFIED SERVICE PERSON. THE APPLIANCE SHOULD BE INSPECTED BEFORE USE AND AT LEAST ANNUALLY BY A PROFESSIONAL SERVICE PERSON. MORE FREQUENT CLEANING MAY BE REQUIRED DUE TO EXCESSIVE LINT FROM CARPETING, BEDDING MATERIAL, ETC...**

**IT IS IMPERATIVE THAT CONTROL COMPARTMENTS, BURNERS AND CIRCULATING AIR PASSAGeways OF THE APPLIANCE ARE KEPT CLEAN.**

**DUE TO HIGH TEMPERATURES, THE APPLIANCE SHOULD BE LOCATED OUT OF TRAFFIC AREAS AND AWAY FROM FURNITURE AND DRAPERIES.**

**DO NOT USE THIS HEATER IF ANY PART HAS BEEN UNDER WATER. IMMEDIATELY CALL A QUALIFIED SERVICE TECHNICIAN TO INSPECT THE HEATER AND TO REPLACE ANY PART OF THE CONTROL SYSTEM AND ANY GAS CONTROL WHICH HAS BEEN UNDER WATER.**

**“WARNING” Do not operate appliance with the glass front removed, cracked or broken. Replacement of the glass should be done by a licensed or qualified service person.**

**YOUNG CHILDREN SHOULD BE CAREFULLY SUPERVISED WHEN THEY ARE IN THE SAME ROOM AS THE APPLIANCE .**

**CLOTHING OR OTHER FLAMMABLE MATERIALS SHOULD NOT BE PLACED ON OR NEAR THE APPLIANCE.**

**THE FLEXIBLE CORD PROVIDED MUST BE CONNECTED TO A LINE VOLTAGE ELECTRICAL SUPPLY.**

**ANY SAFETY SCREEN OR GUARD REMOVED FOR SERVICING A ROOM HEATER MUST BE REPLACED PRIOR TO OPERATING THE APPLIANCE.**

**NEVER VENT THE APPLIANCE INTO OTHER ROOMS OR BUILDINGS. THE APPLIANCE MUST BE VENTED TO THE OUTSIDE ONLY.**

**THIS APPLIANCE MUST NOT BE CONNECTED TO A CHIMNEY FLUE SERVING A SEPARATE SOLID-FUEL BURNING APPLIANCE.**

**CHILDREN AND ADULTS SHOULD BE ALERTED TO THE HAZARDS OF HIGH SURFACE TEMPERATURES AND SHOULD STAY AWAY TO AVOID BURNS OR CLOTHING IGNITION.**

**Natural gas & propane gas have odor additives for the purpose of leak detection through smell. This odor can fade with time. If the odor is reduced, it is possible to have a dangerous buildup of gas without your being able to smell it. If you are using any gas appliances in your home the manufacturer recommends that you have one or more UL approved gas detectors installed in your home. They should be installed by a qualified gas installer for safety purposes.**

# Installation Instructions - Safety

## GENERAL SAFETY (HOMEOWNER)

- To clean the stove, make sure the appliance is off and cold. Remove the logs and embers. **The logs must be handled with extreme care, they are fragile.** Use a vacuum to clean burner and air openings in the bottom and back of the appliance. Carefully replace the logs and embers.
- Fire Extinguisher: Every home should have at least one fire extinguisher. An approved Class A-B-C extinguisher should be mounted on the wall near an exit and close to the appliance, but not so close that accessibility to the extinguisher could be blocked by a fire. Your local Fire Department can advise you concerning the most appropriate location.
- Smoke Detectors & Carbon Monoxide Detectors: Install at least one smoke detector on each floor of your home to ensure your safety. It should be located away from the gas appliance and close to the sleeping areas. Follow the smoke detector manufacturers placement installation and maintenance instructions. Your local Fire Department may provide assistance in selecting smoke detectors and CO-detectors. It is strongly recommended, for your family's protection, that a CO-detector be placed in all homes that utilize gas in any form.

## FOR THE INSTALLER

- 1) Wear gloves and safety glasses for protection.
- 2) Exercise extreme caution when using ladders or when on roof tops.
- 3) Be aware of electric wiring locations in walls and ceilings.
- 4) **Use a back support when doing any heavy lifting.**

## VENTING SAFETY

- The appliance vent should be enclosed when installed in or passing through a living area, where children may come in contact with it.
- Only vent terminations specified may be used with this stove.
- Venting terminals shall not be recessed into a wall or siding.

## PLANNING YOUR INSTALLATION

Please note the following key points regarding the location of your appliance:

- A sufficient gas pressure is required to supply the unit with a minimum inlet pressure
- Allow adequate accessibility clearances for servicing and proper operation.
- Allow adequate clearance to combustibles.
- Consider the termination location.
- A suitable power outlet is required to provide power to the fan.

## CLEARANCES TO COMBUSTIBLES

**IMPORTANT: All clearances listed are the MINIMUM required and must be strictly followed.**

This appliance is certified for installation on a solid combustible surface, such as a wood floor, vinyl or carpeting.

The following pages provide diagrams for safe clearances to combustibles.

Ensure, as in any installation, that structural members are not cut or weakened during installation .

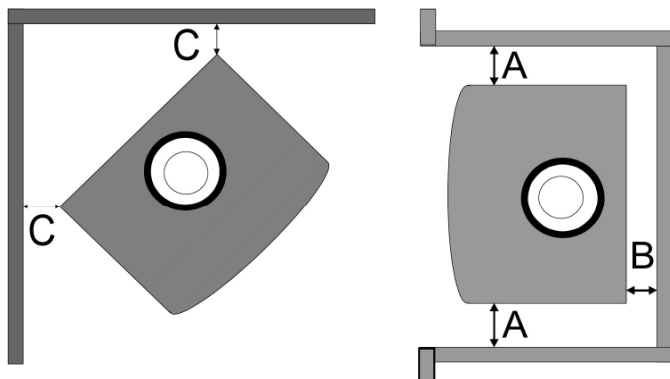
When installing the appliance in a mobile or manufactured home, it must be securely anchored to the floor by means of the anchor provided in the mobile home kit. Also ensure that proper grounding is provided by using a #8 grounding lug, wire and a star washer.



# Installation Instructions

## CLEARANCES TO COMBUSTIBLES

MODEL CONTEMPORARY		
A	Side Wall to unit side	11" (275mm)
B	Back wall to unit back	4" (100mm)
C	Corner to side wall	2" (50mm)



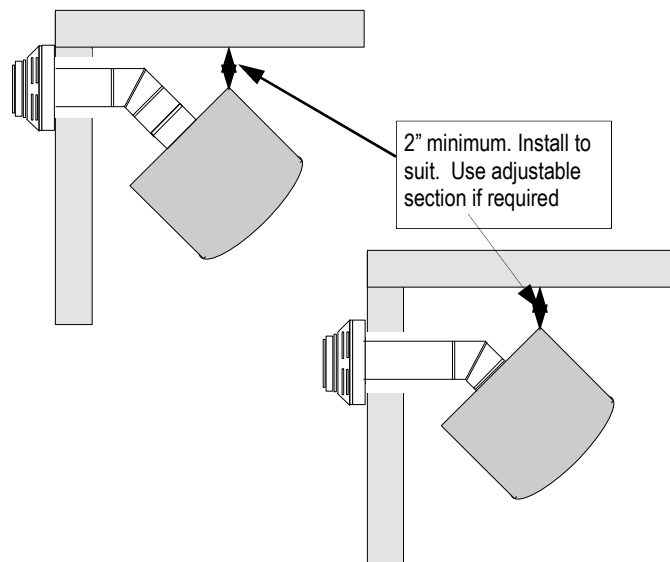
## LOCATING YOUR STOVE

### Mobile home installation

Two holes are provided in the pedestal base of the unit to allow for anchoring down the appliance. To access the mounts simply remove the pedestal back panel which houses the fan.

Minimum clearances listed above must be maintained. Also ensure that you have left clearance for servicing and that that the proposed termination location is correct.

Corner install showing 45° elbow either straight off back of unit or in mid section with snorkel kit.



## VENTING

**IMPORTANT:** This appliance's venting system is room sealed, which means that there should be no provision to allow room air to be used in the combustion process.

**Note:** Only venting systems listed in this manual may be used with the Contemporary. The Simpson DuraVent GS® vent system is listed for use with the Contemporary, except for the snorkel. See the next page for a full parts list.

## PLANNING YOUR VENT INSTALLATION

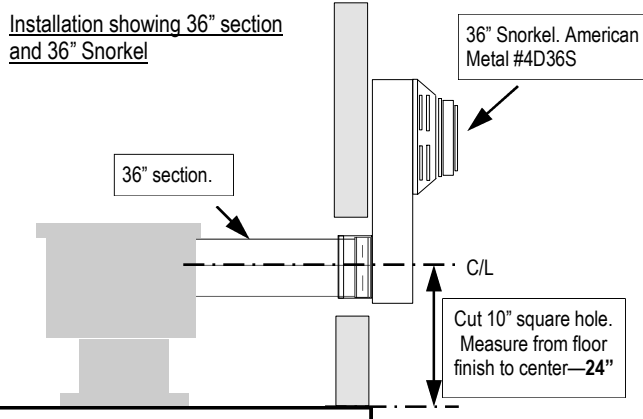
This type of direct vent system may terminate in one of two ways: Vertical termination using a vent cap, or Horizontally using a wall termination. There are limitations to the vertical and/or horizontal lengths. When calculating the length of the vent pipe from the outlet of the appliance to termination, allow for ceiling thickness, vertical rise in the attic or second story and sufficient vertical height above the roof.

Fire stops are required at each floor level the vent passes through.

When carrying out vertical installations that require 45° elbows add additional pipe to allow for the offset.

## REAR VENT—SNORKEL TERMINATION

MINIMUM VERTICAL RISE	36" Using American Metal snorkel (part #4D36S)
MAXIMUM HORIZONTAL RUN	3 ft When using 36" Snorkel . One 45° elbow may be used for corner installs.



Follow venting manufacturer's instructions and adhere to all local codes, authorities and standards for your installation.

## Installation Instructions

SIMPSON DURAVENT DIRECTVENT PRO / GS SYSTEM PARTS LIST		
Description	Part #	Old Part #
Horizontal Termination Kit - In Canada—Mandatory to add a wall thimble (46DVA-KHC.)	46DVA-KHA	971
Vertical Termination Kit	-	978
6" Pipe Length -Black	46DVA-06B	908B
6" Pipe Length -Galvanized	46DVA-06	908
8,5" Black Extension (3"-7")	46DVA-08AB	-
8,5" Galvanized Extension (3"-7")	46DVA-08A	-
9" Pipe Length-Black	46DVA-09B	907B
9" Pipe Length-Galvanized	46DVA-09	907
12" Pipe Length-Black	46DVA-12B	906B
12" Pipe Length-Galvanized	46DVA-12	906
16" Black Extension (3"-14.5")	46DVA-16AB	-
16" Galvanized Extension (3"-14.5")	46DVA-16A	-
24" Pipe Length-Black	46DVA-24B	904B
24" Pipe Length-Galvanized	46DVA-24	904
36" Pipe Length-Black	46DVA-36B	903B
36" Pipe Length-Galvanized	46DVA-36	903
48" Pipe Length-Black	46DVA-48B	902B
48" Pipe Length-Galvanized	46DVA-48	902
11"- 14 5/8" Adjustable Pipe Length-Black	-	911B
17"- 24" Adjustable Pipe Length-Black	-	917B
45° Elbow-Black	46DVA-E45B	945B, 945BG
45° Elbow-Galvanized	46DVA-E45	945, 945G
90° Elbow-Galvanized	46DVA-E90	990, 990G
90° Elbow-Black	46DVA-E90B	990B, 990BG
Vertical High Wind Termination Cap (must be used for all vertical terminations)	46 DVA-VCH	991
Horizontal. DV Termination with 1" return	-	984GL
Horizontal. Square Termination Cap	-	984
Horizontal. Square High Wind Termination Cap	46DVA-HC	985
Horizontal Round Termination Cap	46DVA-HRCS	-
Sconce Termination Cap	46DVA-HSC	-
Wall Thimble Cover—Support Box	46DVA-DC	940
Cathedral Ceiling Support Box	46DVA-CS	941
Brass Trim fro Ceiling Support Box	-	3951
Firestop Spacer	46DVA-FS	963
Flashing 0/12-6/12	46DVA-F6	943
Flashing 7/12-12/12	46DVA-F12	943S
Storm Collar	46DVA-SC	953
Vinyl Siding Standoff	46DVA-VSS	950
Wall Strap	46DVA-WS	988
Wall Pen Heat Shield (Wall Thimble)	46DVA-WT	942

<b>AMERICAN METAL PRODUCTS COMPONENTS LIST</b>	
<b>Description</b>	<b>Part #</b>
7" Pipe Length	4D7
12" Pipe Length	4D12
2' Pipe Length	4D2
3' Pipe Length	4D3
4' Pipe Length	4D4
4" - 10" Adjustable Length	4D12A
45° Elbow	4D45L
90° Elbow	4D90L
Vertical Termination	4DVC
Horizontal Termination	4DHC
36" Snorkel	4D36S
Wall Thimble	4DWT
Wall Strap	4DWS
Firestop Support Plate	4DFSP
Faceplate, Ceiling Support / Wall Thimble	4DFPB
Roof Support	4DRSB
Storm Collar	4DSC
Standard Flashing	4DF
Steep Pitch Flashing	4DF12
Attic Insulation Shield	4DAIS12
<b>SECURITY VENTING COMPONENTS LIST</b>	
6" Pipe Length	SV4L6
12" Pipe Length	SV4L12
24" Pipe Length	SV4L24
36" Pipe Length	SV4L36
48" Pipe Length	SV4L48
6" Adjustable Length	SV4LA
12" Adjustable Length	SV4LA12
45° Elbow	SV4E45
90° Elbow	SV4E90
Wall Band	SV4BM
Insulated Attic Shield	SV4RSA
Wall Shield	SV4RSM
Firestop	SV4BF
Adjustable Roof Flashing 1/12 — 7/12	SV4FA
Horizontal Termination	SV4CHC
Vertical Termination	SV4CGV

# SELKIRK DIRECT-TEMP™ INSTRUCTIONS

## INSTALLATION INSTRUCTION APPENDIX FOR BLAZE KING MODEL: 6003-\*\*\*\*-NT

Selkirk Model Direct-Temp™ direct venting system has now been added as an approved venting option by our safety certification organization, Intertek Testing Services / Warnock Hersey (ITS/WH), for the above referenced direct vent gas appliances.

When using Selkirk Direct-Temp™ as an alternative venting system, follow the same system layout, clearance to combustibles and other guidelines as currently included in our main installation instructions for the above referenced appliances. The Selkirk Direct-Temp™ installation instructions are included with all Selkirk Direct-Temp™ terminations and provide clarification on how certain parts / pieces are assembled, but do not give specifics on system layout options. Follow both sets of instructions.

Below is a cross-reference chart for the Selkirk Direct-Temp™ system versus the system currently referenced in our instructions.

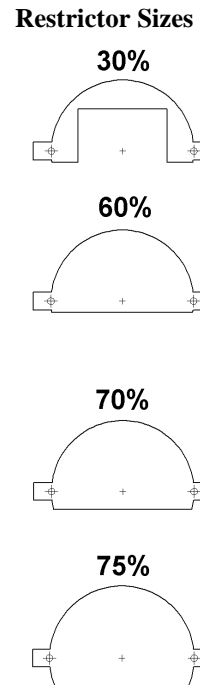
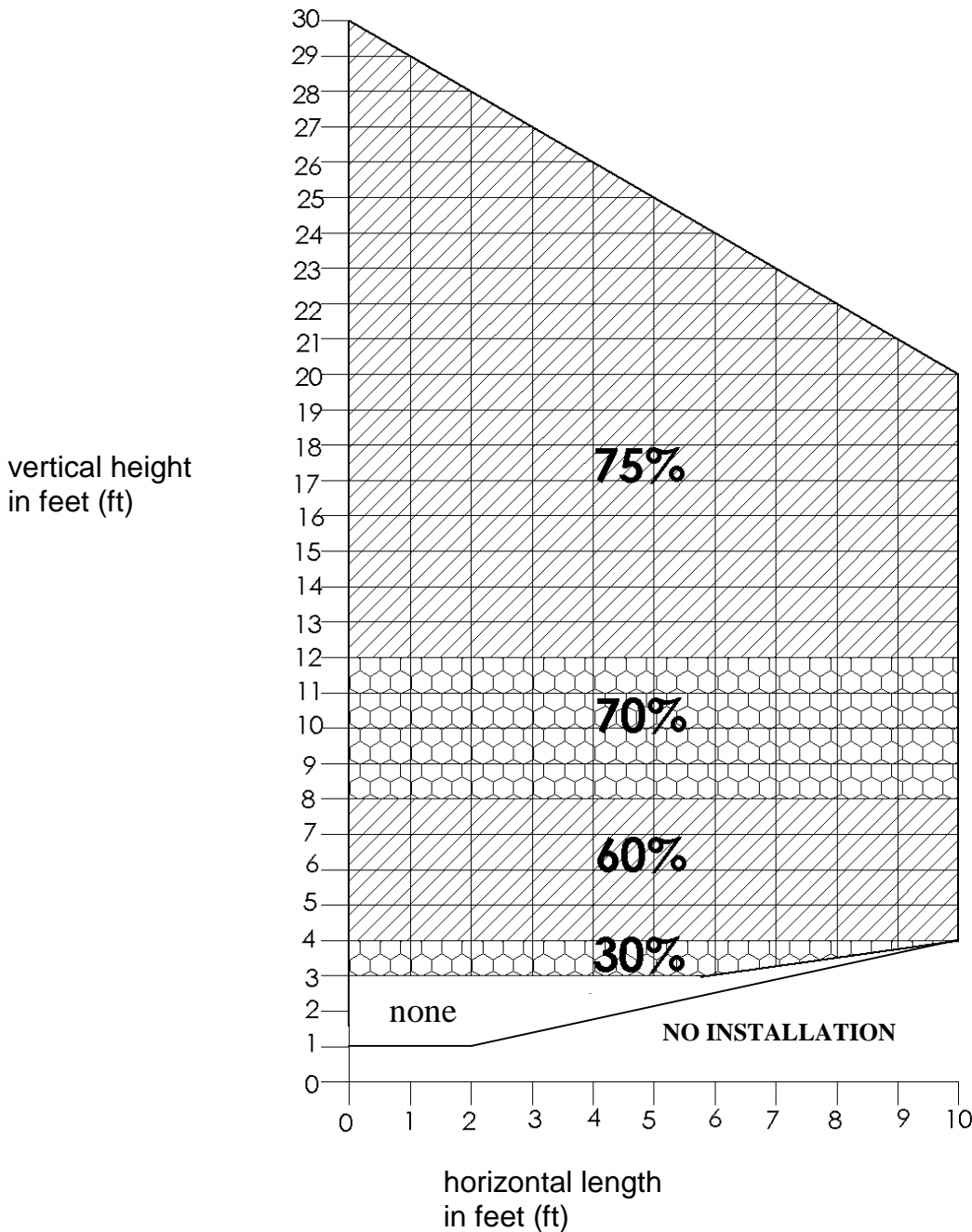
If any questions arise with respect to correlating parts or issues associated with the Selkirk Direct-Temp™ system, contact Selkirk Technical Support at 800-848-2149, ext. 203 or our Technical Support at (509) 522-2730 in USA or 250-493-7444 in Canada.

Selkirk Direct-Temp™		Simpson Dura-Vent Direct Vent GS®	
Stock No.	Description	Stock No.	Description
4DT-6	6" Pipe Length, Galvanized	908	6" Pipe Length, Galvanized
4DT-6B	6" Pipe Length, Black	908B	6" Pipe Length, Black
4DT-9	9" Pipe Length, Galvanized	907	9" Pipe Length, Galvanized
4DT-9B	9" Pipe Length, Black	907B	9" Pipe Length, Black
4DT-12	12" Pipe Length, Galvanized	906	12" Pipe Length, Galvanized
4DT-12B	12" Pipe Length, Black	906B	12" Pipe Length, Black
4DT-18	18" Pipe Length, Galvanized	n/a	n/a
4DT-18B	18" Pipe Length, Black	n/a	n/a
4DT-24	24" Pipe Length, Galvanized	904	24" Pipe Length, Galvanized
4DT-24B	24" Pipe Length, Black	904B	24" Pipe Length, Black
4DT-36	36" Pipe Length, Galvanized	903	36" Pipe Length, Galvanized
4DT-36B	36" Pipe Length, Black	903B	36" Pipe Length, Black
4DT-48	48" Pipe Length, Galvanized	902	48" Pipe Length, Galvanized
4DT-48B	48" Pipe Length, Black	902B	48" Pipe Length, Black
4DT-AJ	Adjustable Length, 11"-14", Galv.	911	Adjustable Length, 11"-14", Galv.
4DT-AJB	Adjustable Length, 11"-14", Black	911B	Adjustable Length, 11"-14", Black
4DT-EL45	45° Elbow, Galvanized	945	45° Elbow, Galvanized
4DT-EL45B	45° Elbow, Black	945B	45° Elbow, Black
4DT-EL90	90° Elbow, Galvanized	990	90° Elbow, Galvanized
4DT-EL90B	90° Elbow, Black	990B	90° Elbow, Black
4DT-AA	Appliance Adaptor, Black	n/a	n/a
4DT-RD	Restriction Disc	929	Restrictor Disc
4DT-CS	Ceiling Support	940	Round Ceiling Support/ Wall Thimble Cover
4DT-CSS	Cathedral Support Box	941	Cathedral Ceiling Support Box
4DT-WS/B	Wall Support/Band	988	Wall Strap
4DT-OS	Offset Support	989	Elbow Strap
4DT-WT	Round Wall Thimble, Black	942	Wall Thimble
4DT-FS	Firestop Spacer	963	Ceiling Firestop
4DT-TP	Trim Plate, Black	n/a	n/a
4DT-HKB	Horizontal Term. Kit B	971	Horizontal Termination Kit A
4DT-VKC	Vertical Termination Kit	978	Vertical Termination Kit
4DT-HVC	High Wind Vertical Cap	991	High Wind Termination Cap
4DT-HHC	High Wind Horizontal Cap	985	Horiz. Square High Wind Termination
4DT-SC	Storm Collar	953	Storm Collar
4DT-AF6	Adjustable Flashing, 0/12-6/12	943	Adj. Roof Flashing 0/12-6/12
4DT-AF12	Adjustable Flashing, 6/12-12/12	943S	Steep Roof Flash. 7/12-12/12
4DT-VS	Vinyl Siding Standoff	950	Vinyl Siding Standoff
4DT-VSP	Vinyl Siding Shield Plate	n/a	n/a

MAXIMUM VERTICAL RISE	30 ft Using (measured from the top of the stove)
MAXIMUM HORIZONTAL RUN	10 ft with minimum 4 ft. vertical rise (measured from the top of the stove).

**Top Vent with 1 - 90 Degree Elbow, 2 - 45 Degree Elbows or Straight Vertical Installations**

Vent Chart (ft)



## Vent Restrictors

### General

When air is heated within a firebox it raises into the vent system. This rising air creates a pressure difference within the system, which is called draft. To ensure proper combustion and safety the draft within a system must be between lower and upper limits. Generally as the length of the vent system is increased the draft increases and can reach unacceptable levels. The vent kit restrictor is provided to limit the draft at the firebox when using different length vent systems on a top vent stove. It is very important that a qualified gas tradesman checks and ensures the unit is venting properly.

**WARNING: IMPROPER VENTING CAN CAUSE UNSAFE OPERATION OF YOUR STOVE, ENSURE THAT A QUALIFIED LICENSED TRADESMAN INSTALLS AND CHECKS THE SYSTEM FOR PROPER VENTING AND DRAFT CONDITIONS.**

The owner's manual provides charts to guide the installer in choosing the correct restrictor for each individual installation.

### INSTALLATION

- 1) Install the restrictor at the top of the vent pipe just below the high wind vent cap. This is to allow you to change it if necessary without disassembly of the entire system.
- 2) Choose the vent restrictor according to the charts provided in the owners manual.
- 3) Bend tabs on vent restrictor so restrictor fits snugly in vent pipe, place the corner of the restrictor in the groove approximately 3" down from the top of the pipe, slide the restrictor down until the opposite corner "clips" into the groove in the pipe as shown in picture #1.
- 4) Place a small tack of high temperature silicon on each corner of the restrictor to ensure it will stay in place and not rattle. See picture #2
- 5) Install the high wind vent cap and check to ensure all vent connections are seating properly.
- 6) Carefully light the appliance several times and ensure there is no flame lifting or "ghosting". Carefully monitor the flame and ensure the air adjustment is correct to provide the desired flame and proper burning efficiency.



Picture #1



Picture #2

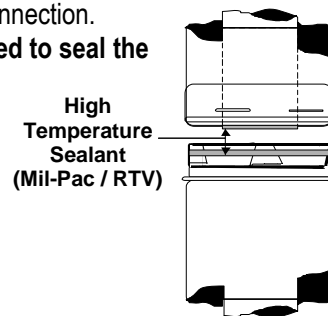
:pubdata\manual\Ventrestrictor\_IN.pub

# Installation Instructions

**WARNING: A minimum clearance of 2" to combustibles must be maintained around the vent pipe on horizontal pipe runs and 1" on vertical runs.**

Simpson Duravent vent systems use twist lock connections. The adaptor attached to the unit connects to the approved venting system. Assemble the vent system using the desired combination of sections and fittings required for your particular installation. While you are assembling the pipe bear in mind the best visual appearance. Seams should be aligned and hidden as much as possible. Make sure you twist the mating section all the way to make a solid connection.

**Note: As this system is a sealed system, a high temperature sealing compound must be used to seal the metal to metal joint.**



## Vent Pipe Assembly Procedure

Apply a bead of high temperature sealant to both the 4" exhaust and 6-5/8" intake section of the male pipe. The female section of the pipe/fitting has four indentations evenly spaced around the pipe. These indentations are designed to slide over the male section of the pipe and locate into the four entry slots of the male section of pipe. Twist the female section clockwise a quarter turn to fully lock the sections together.

## Horizontal Wall Vent Terminations

The position of the horizontal vent termination must be positioned to meet all local building codes (see termination chart on page 17)

Attach the correct length of vertical section pipe and an elbow fitting to the stove.

Mark the center line of the pipe facing the wall (allowing for a 1/4" rise per foot of horizontal run). Example 10 ft of horizontal would require a rise of 2.5".

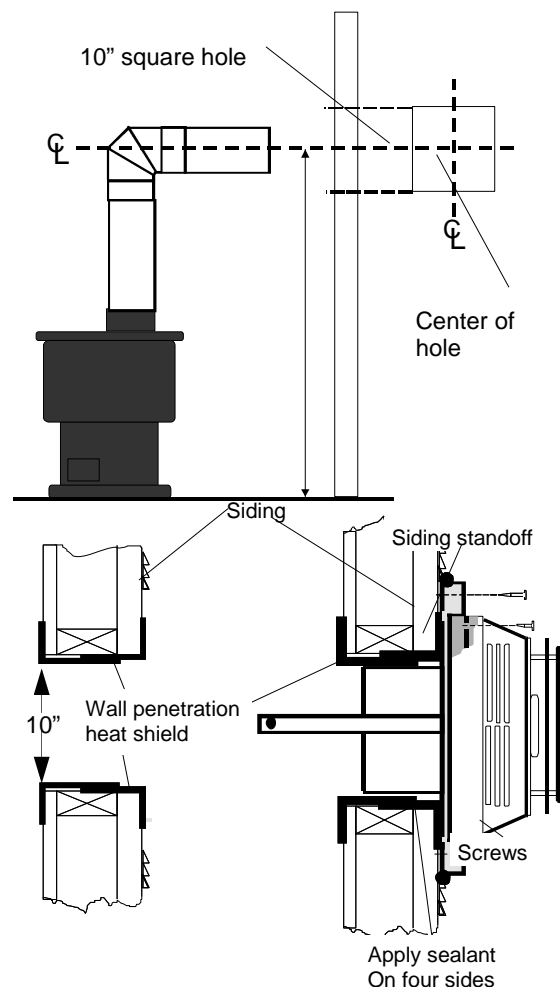
**NOTE: ALLOWING THE VENT PIPE TO SLOPE DOWN TOWARDS THE VENT TERMINATION COULD CAUSE POOR COMBUSTION AND/OR HIGH TEMPERATURES THAT MAY PRESENT A FIRE HAZARD.**

Mark a 10" x 10" square around the center mark (inside dimensions).

Cut and frame the exterior wall to accept the wall penetration heat shield. Install the penetration shield using wood screws. If the wall being penetrated is constructed of non-combustible material a 7" hole sufficient for the vent pipe, is acceptable.

**Caution: When installing the termination on to vinyl siding, a vinyl siding kit or furring strips must be used. This prevents the termination from being recessed into the siding.**

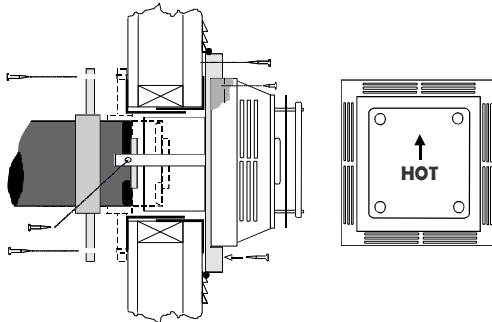
When the termination is to be attached to vinyl siding apply a bead of non-hardening mastic around the outside edge to form a seal between the standoff and the termination cap. Attach the termination cap to the exterior wall inserting four wood screws through the holes in the corner of the vent termination. Complete the installation by applying a bead of mastic around the outer edge of the vinyl standoff. With the termination cap installed you can now connect the completed vent assembly by sliding the unit back towards the wall and carefully inserting the pipe into the terminal. Before the final connection is made slide on the decorative wall thimble. Secure the termination cap by securing the termination straps to the pipe as close to the exterior wall as possible using sheet metal screws. Ensure that the straps are hidden by the wall thimble cover. Apply decorative trim if required.



# Installation Instructions

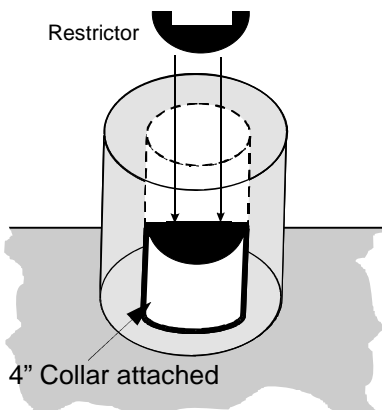
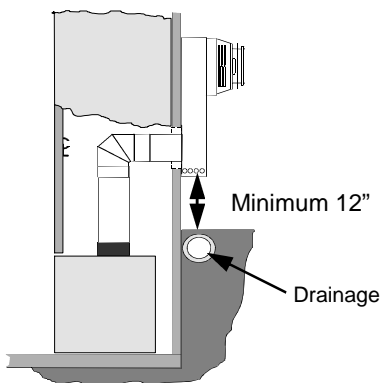
Before sliding the pipe into the termination ensure that you slide the decorative wall thimble cover and penetration heat shield over the pipe.

Slide the pipe into the vent, making sure there is at least 1" overlap between the pipe and the terminal. Attach the pipe by attaching two sheet metal screws through the termination straps and into the pipe. Bend back the straps towards the termination cap making sure they are hidden by the decorative thimble. Finally attach the wall penetration heat shield and secure with wood screws.



## Basement Installations

To achieve the minimum vertical rise a 36" snorkel may be used. Where the bottom of the terminal may be blocked by snow etc ensure provision is made for adequate drainage.



## Vertical Installations

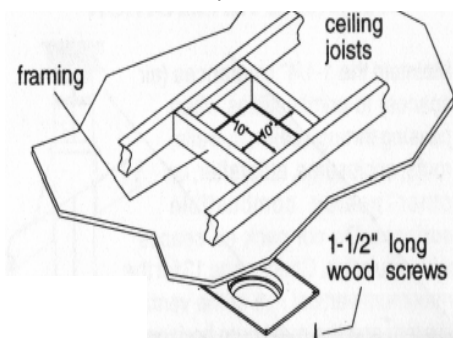
Always maintain the 1" clearance around the vent pipe (vertical), when passing through ceilings, walls, roofs, enclosures, attic rafters or any combustible surfaces.

**DO NOT PACK AIR SPACES WITH INSULATION.**

Refer to the vent chart for maximum allowable vertical and horizontal installations.

When planning your installation determine if ceiling joists, roof rafters or other framing will obstruct the vent system. You may have to use 45° elbows to navigate around any obstacles. When passing through a flat ceiling install a Box/Wall thimble. Cut a 10" square hole and frame as shown in the diagram opposite.

Ensure all pipe sections are fully twist locked.

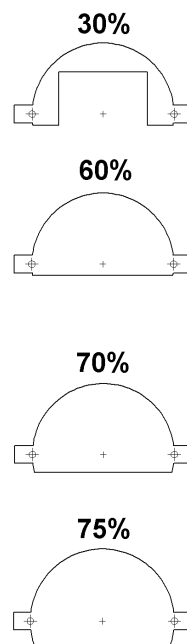


**NOTE: ALWAYS CHECK YOUR LOCAL CODES BEFORE INSTALLING VENTING. NECESSARY CLEARANCES AND REQUIREMENTS MAY VARY FROM STATE TO STATE(PROVINCE TO PROVINCE).**

## Vent Restrictors

Due to the extra flow produced by certain venting configurations vent restrictors must be placed in the vent to maintain performance. The vent restrictors come in four sizes. When your installation requires a vent restrictor the correct restrictor is placed inside the vent adaptor collar on the unit. Proper instructions for installing a vent restrictor are included in the vent restrictor kit.

### Restrictor Sizes

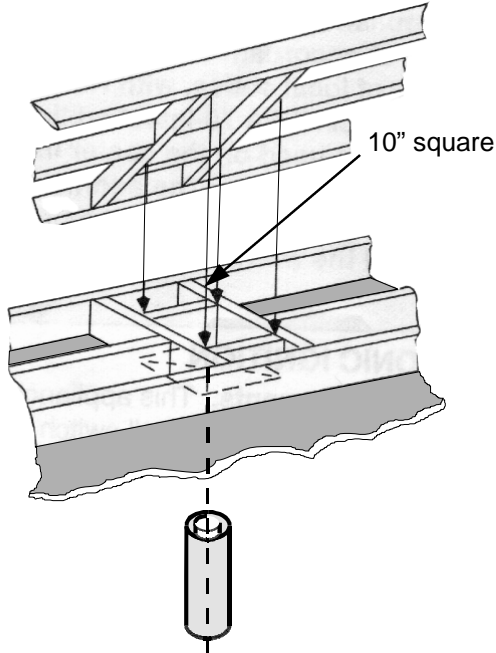




# Installation Instructions

## Through Roof Framing

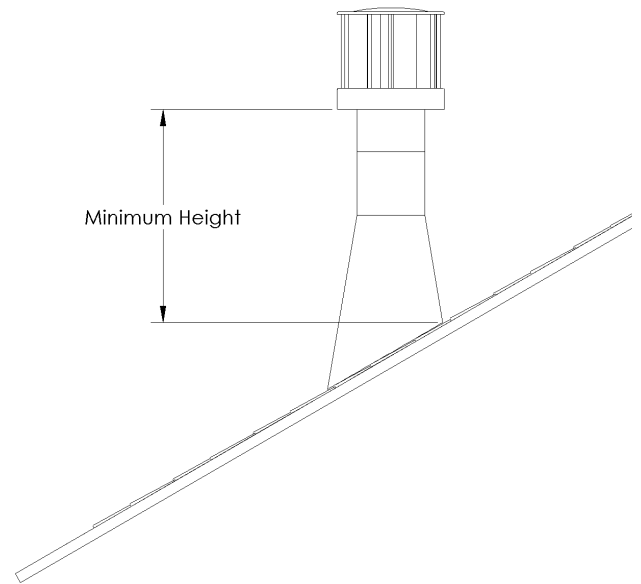
Maintain 10" opening relative to the pitch of the roof.



Use a suitable round or square support through the roof. Ensure adequate heat shield protection is provided.

## Termination Above Roof

Consult local codes for minimum vent cap height above the roof, vent must be a minimum 2' from any wall.

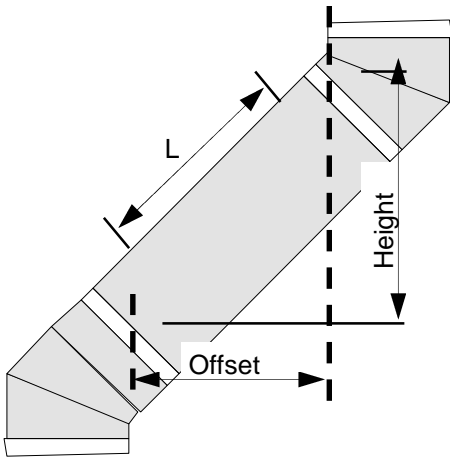


To prevent water seepage install the flashing with upper portion slid under the roofing material and the lower portion over the roofing material.

**Note: Do not fasten down until the final adjustments to the vent have been made.**

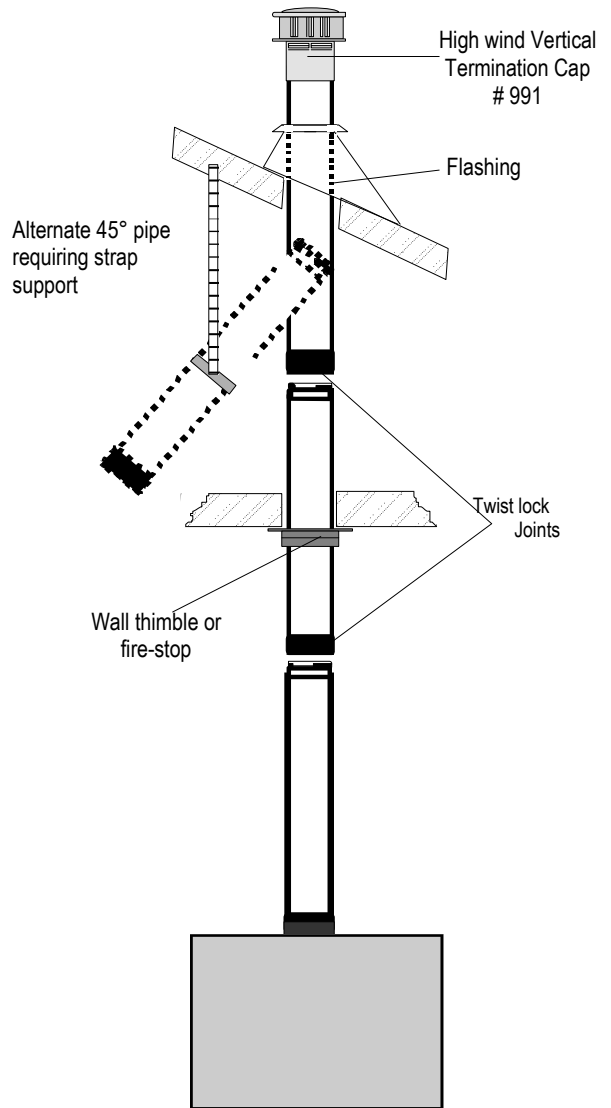
# Installation Instructions

## Offset Chart

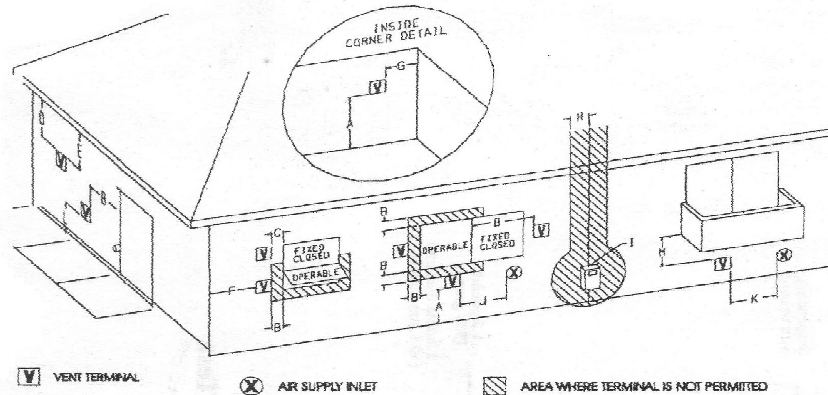


Offset chart for 45° Elbows					
Offset		Pipe Length (L)		Height	
inches	mm	inches	mm	inches	mm
4 3/4	121	0	0	13 1/4	337
9	229	6	152	17 1/2	445
11 1/4	286	9	229	19 1/2	495
13 1/4	337	12	305	21 3/4	552
21 3/4	552	24	610	30 1/4	768
30 1/4	768	36	914	39	991
38	965	48	1219	47	1194

## Typical vent Installation



# Installation Instructions



	Canadian Installations <sup>1</sup>	US Installations <sup>2</sup>
A= Clearance above grade, veranda porch, deck or balcony	*(min. 12"/30 cm)	*(min. 12"/30 cm)
B= Clearance to window or door that may be opened	*(min. 12"/30 cm)	*(min. 12"/30 cm)
C= Clearance to permanently closed window	*(min. 12"/30 cm)	*(min. 12"/30 cm)
D= Vertical clearance to ventilated soffit located above the terminal within a horizontal distance of 2' (61 cm) from the centerline of the terminal	*min. 18" (46 cm) check with local code	*min. 18" (46 cm) check with local code
E= Clearance to unventilated soffit	*min. 15" (38 cm)	*min. 15" (38 cm)
F= Clearance to outside corner	*with DuraVent Cap min. 13"/33cm	*with DuraVent Cap min. 13"/33cm
G= Clearance to inside corner	*with DuraVent Cap min. 12"/30cm	*with DuraVent Cap min. 12"/30cm
H= Clearance to each side of centerline extended above meter/regulator assembly	3' (91cm) within a height 15' (4.5m) above the meter/regulator assembly	*
I= Clearance to service regulator vent outlet	3' (91cm)	*
J= Clearance to no mechanical air supply inlet to building or the combustion air inlet to any other appliance	12" (30cm)	9" (23cm)
K= Clearance to a mechanical air supply inlet	6' (1.83 m)	3' (91 cm) above if within 10' (3 m) horizontally
L= Clearance above paved sidewalk or paved driveway located on public property	7' (2.13 m)†	*
M = Clearance under veranda, porch, deck or balcony	12" (30 cm)‡	*

<sup>1</sup> In accordance with the current CSA B149.1, *Natural Gas and Propane Installation Code*

<sup>2</sup> In accordance with the current ANSI Z223.1/NFPA 54, *National Fuel Gas Code*

† A vent shall not terminate directly above a sidewalk or paved driveway that is located between two single family dwellings and serves both dwellings.

‡ Permitted only if veranda, porch, deck or balcony is fully open on a minimum of two sides beneath the floor.

\* For clearances not specified in *ANSI Z223.1/NFPA 54* or *CSA B149.1*, one of the following shall be indicated:

a) A minimum clearance value determined by testing in accordance with section 2.23.7, or ;

b) A reference to the following footnote: "Clearance in accordance with local installation codes and the requirements of the gas supplier"

## Installation Instructions (Gas Supply)

### Pedestal Cover Removal

The pedestal cover must be carefully removed to access the gas valve and connections. To remove the pedestal cover remove the 4 screws on the sides of the pedestal. Carefully lift the pedestal cover slightly as you pull it forward off of the unit. The lifting is required so that you do not scratch up the base. When the cover is removed you should have easy access for connections and testing purposes. When placing the pedestal cover back on the unit, use the same caution. Carefully lift the cover and slide it over the pedestal, so that you do not scratch the base. Then replace the 4 screws on the sides of the pedestal.

**ONLY PERSONS LICENSED TO WORK WITH GAS PIPING MAY MAKE THE NECESSARY GAS CONNECTION TO THIS APPLIANCE. YOU ARE NOW READY TO HOOK UP THE GAS SUPPLY. BE SURE GAS PLUMBING INSTRUCTIONS AND ALL STATE/PROVINCIAL AND LOCAL CODES ARE CAREFULLY FOLLOWED. USE APPROVED FLEXIBLE GAS CONNECTIONS OR RIGID PIPING, DEPENDING ON PROVINCIAL AND LOCAL CODES, TO ATTACH BURNER TO GAS SUPPLY. BE SURE TO USE PROPER SIZE GAS SUPPLY LINE. CAREFULLY CHECK ALL CONNECTIONS FOR GAS LEAKS WITH SOAP AND WATER SOLUTION.**

**EACH INSTALLATION MUST CONFORM TO ALL LOCAL, STATE/PROVINCIAL AND NATIONAL CODES. REFER TO THE NATIONAL FUEL GAS CODE, LOCAL ZONING AND CODE AUTHORITIES FOR DETAILS ON INSTALLATION REQUIREMENTS.**

### **EXISTING GAS SUPPLY**

Before interrupting the existing gas supply it is recommended that the following be checked.

- ◆ Shut down all gas appliances and carry out a pressure test to insure there are no existing leaks in the system.
- ◆ Before connecting the appliance to the gas supply line, double check that the appliance you have purchased is designed for the gas type you are using. The gas type markings are located on the certification label and also on the appliance's gas valve.
- ◆ Check the gas pressure to insure you will be able to supply the minimum inlet pressure for the appliance.
- ◆ Check your pipe sizing to insure sufficient volume will be supplied to the appliance.

### **GAS SUPPLY INSTALLATION**

Provide adequate clearance for proper installation and checking of the gas connections.

Have your gas supplier or a qualified gas fitter run a gas supply line into the gas appliance. The line must be properly sized and fitted according to the installation codes. The installation must provide an easily accessible manual shut-off valve, upstream of the appliance supply connection.

When test pressures in excess of 1/2 psig (3.5 kPa) are used, the appliance and its individual shut-off valve must be disconnected from the gas supply piping system. When test pressures are equal to or less than 1/2 psig (3.5 kPa), the appliance must be isolated from the gas supply piping system by closing its individual manual shut-off valve. Failure to follow these instructions will damage the appliance's gas valve. **Such damage is not covered by the manufacturer's warranty.**

Check for proper gas supply pressure by loosening the set-screw on the inlet pressure tap (marked **IN**) on the gas valve with a small screw driver and placing a test gauge on the tap.

The minimum permissible gas supply pressure is 5.0 in. w.c. (1.24 kPa) for natural gas and 12.0 in. w.c. (3.00 kPa) for propane. Maximum gas supply pressure should never exceed 14.0 in. w.c. (3.48 kPa) or 1/2 psi. for both natural gas and propane.

**BE SURE TO TIGHTEN THE PRESSURE TAP SET-SCREW AFTER CHECKING THE PRESSURE. CHECK ALL GAS CONNECTIONS FOR GAS LEAKS.**

# Installation Instructions

## PIPING DETAIL

### Gas Connection:

- ◆ **Blaze King recommends that gas connections be made by a licensed and qualified installer.**
- ◆ The gas connection supplied is 1/2". The supply pipe can be either rigid or listed flexible connection and/or copper tubing if allowed by state/provincial and local codes.
- ◆ In the USA follow local codes and/or the current National Fuel Gas Code, ANSI Z223.1.
- ◆ In Canada consult local authorities and the CAN/CGA B149 installation codes.
- ◆ Provide a union downstream of the appliance shut-off valve to allow disconnection of the burner assembly for servicing.

### High Altitude:

- ◆ In the USA the Contemporary, is approved for altitudes up to 2000 feet (using the factory installed burner orifice). At elevations above 2000 feet, U.S. codes require a decrease in the input rating by replacing the burner orifice. The input should be reduced by 4% for each 1000 feet above sea level (see page 27). Check local gas utility for orifice size identification.
- ◆ In Canada the Contemporary is approved for altitudes up to 4,500 feet (1370 meters). For altitudes above 4,500 feet (1370 meters) consult the local codes for correct de-rating.

**Note: The difference in altitude rating is a requirement of certification standards.**

**See page 27 for more information on orifice requirements for high altitude installations.**

**See Addendum on page 31 for pilot instructions**

Flame Picture



## AERATION ADJUSTMENT

**IMPORTANT:** Aeration adjustment is critical to the correct functioning of the appliance. Carbon build up, flame lift or any malfunction due to the aeration not being correctly adjusted during installation is **NOT** covered under the warranty

**CAUTION: Parts requiring adjustment during operation may be hot.**

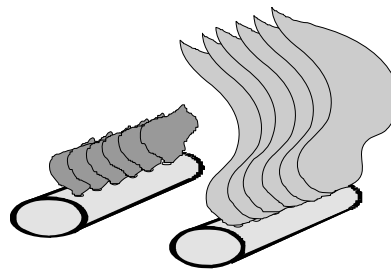
**Adjust the air shutter (lever hanging under firebox) as follows:**

- Remove fan plate from the back of the pedestal.
- Loosen the Robertson (square drive) screw nearest to where the main gas line attaches to the burner.
- Slide the lever forward for more air and backward for less air. This lever is coupled to the air adjust plate near the main orifice.
- Tighten the Robertson screw when the setting is correct.
- Replace the fan plate.

Note: Aeration is factory set but may need adjustment for altitude or movement during shipping.

### FACTORY SETTING

Natural Gas	1/8" (3.2mm) Open
LP GAS	1/8" (3.2mm) Open



Open - Soft blue flame      Closed - tall yellow flame

### GAS SUPPLY PRESSURE

Natural Gas	Minimum 5.0"w.c	Maximum 10.5"w.c	Recommended 7"w.c
LP GAS	Minimum 12.0"w.c	Maximum 13.0"w.c	Recommended 12.5"w.c

**IMPORTANT: Always check for gas leaks with soap and water solution or gas leak detector. Do not use open flame for leak detection.**

# Installation Instructions

## THERMOSTAT

**WARNING:** The gas valve of this appliance operates on a millivolt system and is not intended to be connected to any other power source.

If required, a wall thermostat may be installed. Blaze King provides a thermostat but any CSA, ULC or UL approved 250-750 millivolt rated, non-anticipator type, thermostat may be used.

It is important to use the correct gauge wire when installing your thermostat.

## OPTIONAL REMOTE

A remote control device may be available from your local dealer. Follow the directions supplied with the remote. It is important to keep the receiver away from extreme heat. Remote devices may be used with appliance, however Blaze King does not guarantee the operation of such units or the effect they may have on the performance of this appliance.

**See wiring diagrams for details on valve connections.**

**Note: When installing a remote control or wall switch use the correct gauge of wire. See table below.**

Wire Size	Max. Length
14 GA.	50 FT.
16 GA.	32 FT.
18 GA.	20 FT.
20 GA.	12 FT.
22 GA.	9 FT.

**WARNING**  
Electrical Grounding Instructions

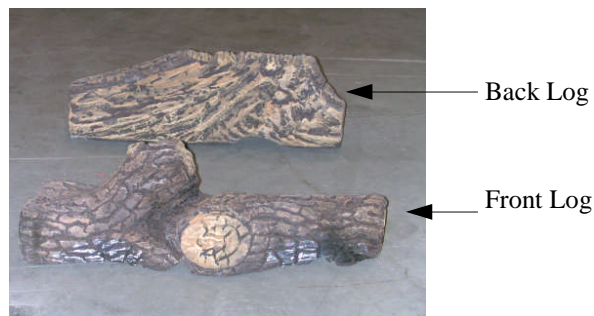
This appliance is equipped with a three prong (grounding) plug for your protection against shock hazard and should be plugged directly into a properly grounded three prong receptacle. Do not cut or remove the grounding prong from this plug.

## LOGSET INSTALLATION

**CAUTION:** Only the log set supplied by the manufacturer may be used with this appliance. The log set **MUST** be installed as described in this manual.

**WARNING:** Dangerous operating conditions may occur if these logs are not positioned in their approved locations. If logs are broken, do not operate the unit until they are replaced.

The Blaze King Contemporary comes complete with the following Logs.



**Install the logs in the following order:**

1. Place the rear log on the back support shelf. Ensure it is pushed back against the rear brick panel



2. Locate the front log onto the pins provided on the front log support.

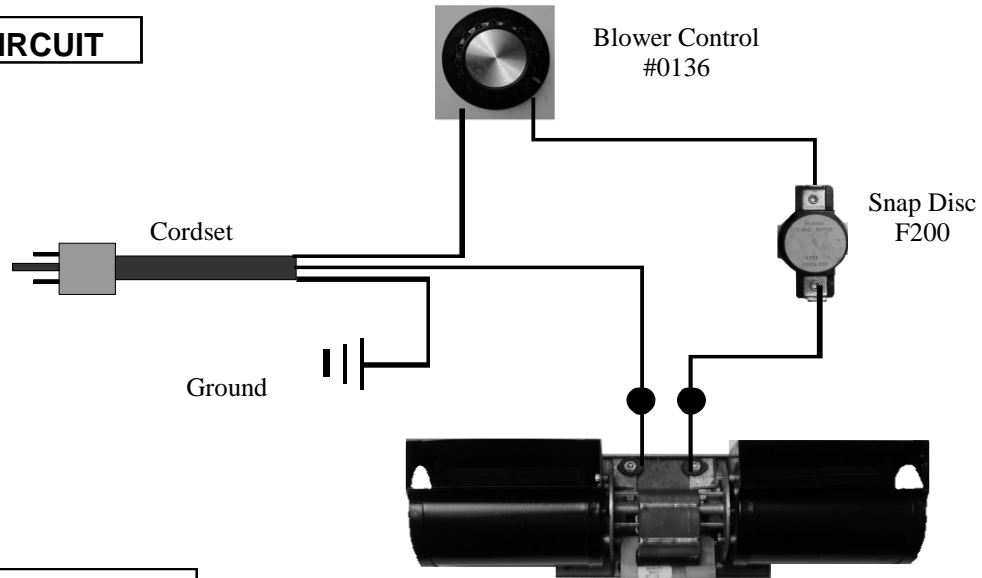


# Wiring Diagrams

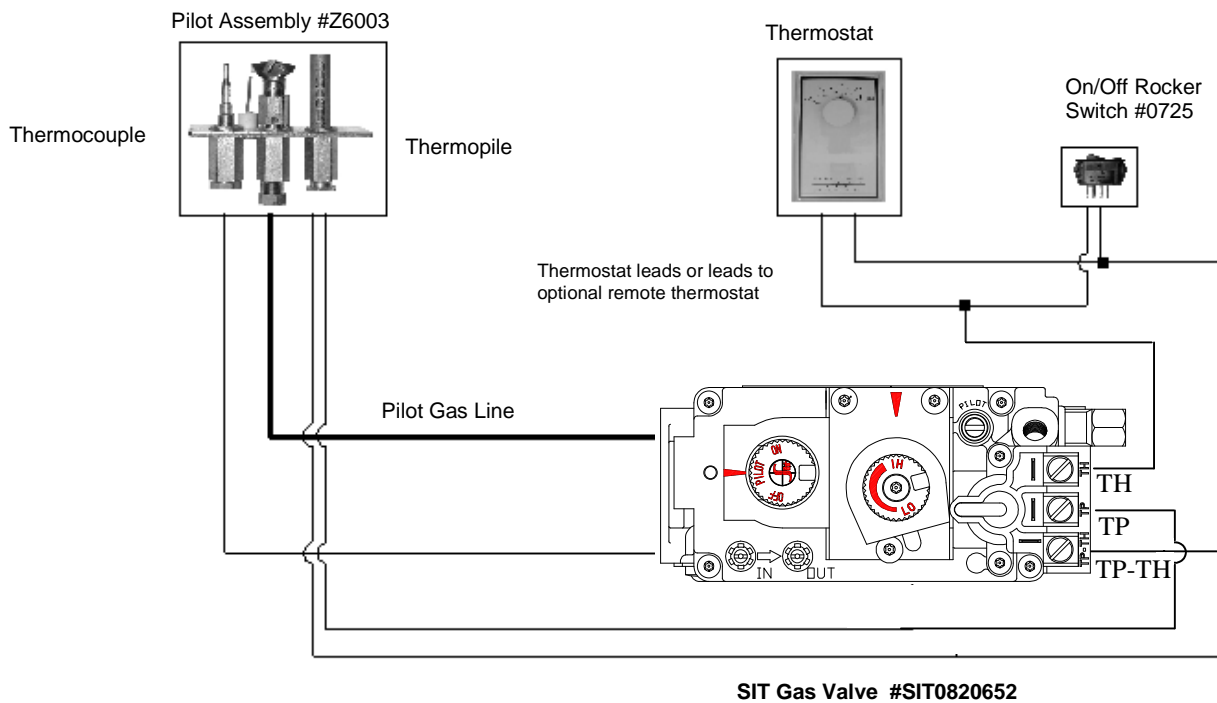
**THIS MOBILE/MANUFACTURED HOME APPROVED APPLIANCE MUST BE GROUNDED TO THE STEEL CHASSIS OF THE HOME. USE AN 8 GAUGE COPPER WIRE AND A SERRATED OR STAR WASHER TO PENETRATE PAINT OR PROTECTIVE COATING TO ENSURE GROUNDING.**

**Observe good wiring practice: Label all wires prior to disconnection when servicing controls. Wiring errors can be dangerous and cause damage to the unit.**

## 120 VOLT CIRCUIT



## MILLIVOLT CIRCUIT



# ***Operating Instructions***

## **Pre- Start Up Checks**

**FOR YOUR SAFETY READ - BEFORE LIGHTING**

### **WARNING**

**IF YOU DO NOT FOLLOW THESE INSTRUCTIONS EXACTLY, A FIRE OR EXPLOSION MAY RESULT CAUSING PROPERTY AND/OR PERSONAL INJURY**

**DO NOT:** Use tools to operate controls, only use your hand to push in and turn the controls.

**DO NOT:** Try to repair the appliance. Call a qualified service technician.

**DO NOT:** Use this appliance if any part has been under water. Immediately call a qualified service technician to inspect the appliance and replace any part of the gas control system which has been under water.

**DO NOT:** Use this appliance if you smell gas.

### **WHAT TO DO IF YOU SMELL GAS:**

- ◆ OPEN WINDOWS.
- ◆ DO NOT TOUCH ANY ELECTRICAL SWITCH; DO NOT USE THE PHONE IN YOUR BUILDING.
- ◆ EXTINGUISH ANY OPEN FLAME.
- ◆ IMMEDIATELY CALL YOUR GAS SUPPLIER FROM A NEIGHBOR'S PHONE AND FOLLOW THE GAS SUPPLIER'S INSTRUCTIONS.
- ◆ IF YOU CANNOT REACH YOUR GAS SUPPLIER, CALL THE FIRE DEPARTMENT.

### **WARNING**

**Do not operate appliance with the viewing glass removed, cracked or broken. Viewing glass must be replaced / repaired by BLAZE KING. For replacement please contact your local dealer or Blaze King to make arrangements to have your viewing glass replaced / repaired. Glass breakage due to slamming the viewing door or abusing your unit, is not covered under warranty.**



# Operating Instructions

## FINAL CHECK

**INSTALLER:** Before leaving the appliance with the customer, you must check the operation of the appliance:

- ◆ Check correct BTU rating by clocking the appliance at 15 minutes (see certification label).
- ◆ Check flame picture. Adjust primary air if required (see page 19).
- ◆ Take time to go through the operation of this unit with the customer.
  
- ◆ NOTE: When first fired, the unit will produce an odor. This is normal and is part of the paint curing process, it may be noticeable for at least 4 hours. It is recommended that you open a few windows to ventilate the room. During the first hour smoke detectors in the house may be set off.
- ◆ Following the initial burn-in period, the glass panel may require cleaning.
- ◆ **CAUTION: Do not clean the glass when the appliance is hot!**
- ◆ When the appliance is cold, firing may cause the glass to fog up. This is due to condensation and is normal.
- ◆ Make yourself familiar with these instruction before operating the appliance.
- ◆ Check any loose electrical wires that may cause a shock.
- ◆ Check around the appliance for gas leaks. IF YOU SMELL GAS, follow the instructions on the front cover of this manual.
- ◆ Check to see that logs are correctly positioned. The pilot light should be visible.
- ◆ Check to make sure that venting is secure.
- ◆ Check all external parts, such as grills, doors and control cover are properly attached and fastened.
- ◆ **CAUTION: Do not turn the unit off and on again without a minimum of a 60 second wait between firing.**

Make sure you read this entire manual, especially the lighting instructions on page 5, before you begin stove operation.

Keep in mind that your thermostat will only work to control your stove if the ON/OFF rocker switch is set to the "OFF" position. The "ON" position will prevent the thermostat from controlling the stove. When you are lighting your pilot your thermostat should be set to the lowest level and the ON/OFF rocker switch should be set to "OFF".



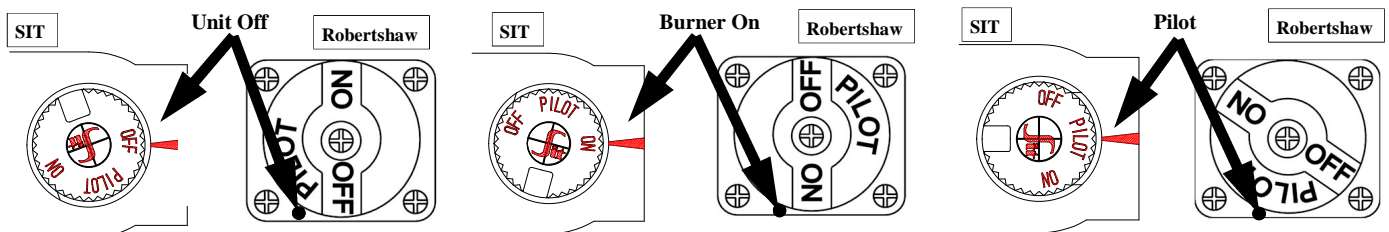
## TEMPORARY SHUT-DOWN

To turn off the main burner only, set the thermostat to the lowest setting or turn remote switch to **OFF**. Press and turn the knob clockwise ↻ to **PILOT** position.

## COMPLETE SHUT-DOWN

Press and turn the knob clockwise ↻ to the **OFF** position.

## CONTROL KNOB POSITIONS



## Operating Instructions

### FAN OPERATION

- ◆ The convection fan speed control is located on the back of the unit. Turning the control knob all the way counterclockwise will turn off the convection fan. Adjust the blower to the desired speed.

**NOTE: The fan will turn on once the unit has reached operating temperature. This prevents the discharge of cold air.**

### NORMAL OPERATING SOUNDS

- ◆ FIREBOX: You may hear some cracking or ticking sounds on start-up and shut-down. This is due to the expansion and contraction of the steel in the firebox.
- ◆ BLOWER: We use high efficiency fans in our appliances. You may hear a whirring sound when the fan turns on. This will decrease or increase depending on the speed setting of the fan.
- ◆ PILOT FLAME: You may detect a very slight whisper sound from the pilot when it is turned on.
- ◆ **These are all normal sounds associated with this type of appliance and should not be considered as defects.**

## IMPORTANT - GLASS CLEANING - WHITE MINERAL DEPOSITS

One of the byproducts of the combustion process in a gas appliance, is a mineral which can show up as a white film on the ceramic glass of the viewing door. The composition of the deposit varies widely from various locations and also from time to time in the same location. You may have the problem for a time and then not see it for many months when it will reappear in your area. It seems this is associated with the varying sulfur content of the gas. We have discussed this problem with ceramic glass manufacturers and they cannot give us a definitive answer to this problem. Dealers have tried various cleaning products with varying results. The following recommendations will not guarantee results in your particular case.

**Ensure the stove is completely cooled before any glass service work is attempted.**

1. Clean the glass regularly as soon as you notice the buildup (white film). If the film is left for a long period of time build up will bake on. It is then much harder, if not impossible, to remove.
2. NEVER use an abrasive cleaner on the ceramic glass. Any abrasion of the surface has the immediate effect of lessening the strength of the glass. An emulsion type cleaner is recommended.
3. Use a soft damp cloth to apply the cleaner. Dry the glass with a soft, dry, preferably cotton cloth. Most paper towels and synthetic materials are abrasive to ceramic glass and should be avoided.
4. Our dealers have had good results from the products listed below. We can not however guarantee the results of these products.
  - a) BRASSO
  - b) POLISH PLUS by KEL KEM
  - c) COOK TOP CLEAN CREME by ELCO
  - d) WHITE OFF by RUTLAND

**NOTE: This is a problem beyond Blaze King's control and is not covered under warranty.**

### NOTICE: COLD WEATHER OPERATION

When using any gas appliance (LPG or NAT Gas) water is a byproduct of the combustion process. Under normal conditions this moisture is expelled through the vent into the atmosphere and does not cause any harm. In extreme cold weather the vapor may condense and freeze on any exposed surface it comes into contact with. This can cause a problem by restricting or blocking the vent, particularly with direct vent wall terminations as the exhaust is only a few inches away from the outside wall surface. What happens to the moisture after it leaves the vent cannot be controlled by the manufacturer. To extend the vent further out from the wall can sometimes but not always be an advantage. Extending the vent out from the wall may present other design problems such as ice falling from the eaves above. It is the homeowners responsibility to ensure that there is not an excessive build-up of ice on the termination.

**CAUTION: WHEN OPERATING YOUR APPLIANCE DURING COLD WEATHER YOU MUST FREQUENTLY CHECK THE EXHAUST CAP FOR EXCESSIVE ICE BUILD UP.**

If the appliance begins to operate abnormally — Poor flame pattern, shutting down, etc., this could be an indication of ice build up.

## Maintenance

**CAUTION: NEVER CLEAN THE APPLIANCE WHEN IT IS HOT. ANY SAFETY SCREEN OR GUARD REMOVED FOR SERVICING MUST BE REPLACED PRIOR TO OPERATING THE APPLIANCE. DO NOT USE ANY SUBSTITUTE MATERIALS.**

### FREQUENCY OF SERVICE

#### Regularly:

- ◆ Clean and remove any lint accumulations or debris from the grills and combustion or convection air passage ways.
- ◆ Keep the appliance area free from combustible materials, such as paper, wood, clothing, gasoline, flammable solids, liquids and vapors.
- ◆ Visually check the height and color of the burner and pilot flames.
- ◆ Check for unusual noises or odors during operation of the appliance.
- ◆ Check the vent terminal for any damage, or obstruction by plants or debris accumulation.

#### Once a Year:

- ◆ Open the door assembly and clean the inside of the glass with a soft, non-abrasive cloth and water or a suitable, mild, non-abrasive cleaner.
- ◆ Carefully remove the logs and gently brush off any loose carbon deposits. This job is best done outside the house, wearing a dust mask. **The logs are very fragile, take care not to break them.** After cleaning, the logs must be replaced as per the instructions in this manual.

#### Have a qualified service technician:

- ◆ Completely inspect the appliance and the venting system.
- ◆ Clean and remove any lint accumulations or debris in the firebox, on the burners, on the pilot, at the primary air opening, on the convection air blower and in any combustion and convection air passage ways.
- ◆ Check the safety system of the gas valve.

### Pedestal Cover Removal

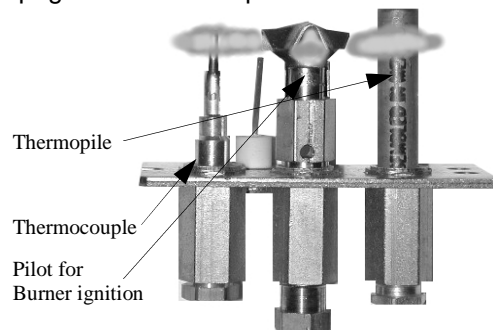
The pedestal cover must be carefully removed to access the gas valve and connections. To remove the pedestal cover remove the 4 screws on the sides of the pedestal. Carefully lift the pedestal cover slightly as you pull it forward off of the unit. The lifting is required so that you do not scratch up the base. When the cover is removed you should have easy access for connections and testing purposes. When placing the pedestal cover back on the unit, use the same caution. Carefully lift the cover and slide it over the pedestal, so that you do not scratch the base. Then replace the 4 screws on the sides of the pedestal.

### REMOVING THE BURNER ORIFICE

1. Use a 1/2" wrench to loosen and remove the burner orifice.
2. Change the orifice.

### TECHNICAL INSTRUCTIONS

- ◆ **PILOT ASSEMBLY:** The correct flame pattern should have three strong blue flames. One flows around the thermopile, one around the thermocouple and one flows over the burner. See page 31 for further pilot instructions



- ◆ **VENTING:**
  1. Check the venting system for any signs of corrosion.
  2. Remove the vent termination and check the inside of the vent by shining a light down the pipe.
  3. Inspect pipe seams and joints and ensure they are still tight.
  4. Check wall straps and all vent supports.
- ◆ **LOGS:**
  1. Check logs are correctly positioned (see installation instructions).
  2. Check there are no cracked logs.
  3. Clean off any soot deposits using a soft brush.

**NOTE: Incorrect log positioning may cause carbon build up and discoloration. This may void the warranty.**

### GAS VALVE REPLACEMENT:

1. Disconnect electricity to the appliance.
2. Shut off the gas to the appliance and disconnect the gas line to the appliance.
3. If the appliance has a remote switch or thermostat, disconnect the wires at the front of the valve.
4. Undo the four screws holding the valve plate to the pedestal assembly.
5. Gently rotate the valve to gain access to the millivolt wiring, pilot tube nut and burner supply tube nut.
6. Carefully undo the pilot and burner supply tubes and remove the valve.
7. Replacing the assembly is the reverse of the above instructions.

# Maintenance

## GOLD PLATING:

1. Gold plating requires little maintenance and needs only to be cleaned with a soft damp cloth. **Do not use any abrasive cleaning materials.**
2. Avoid fingerprints on gold. Wipe off fingerprints before firing.

## DOOR :

Check the gasket to see that it is still forming a seal. Replace gasket if there is any sign of wear.

## VIEWING GLASS REPLACEMENT:

This appliance is supplied with high temperature 5mm high temperature ceramic glass that will easily withstand the heat your unit was designed to produce. In the event the glass breaks, contact your dealer or BLAZE KING to arrange for your glass to be replaced / repaired. (see page 22)

## REMOVING THE BLOWER:

1. Turn the gas off to the unit.
2. Turn off/unplug the electric supply.
3. Remove the back panel on the pedestal.
4. Remove the 4 screws on the back panel that attach the blower.
5. Replacing the assembly is the reverse of the above instructions

## Replacement Parts List

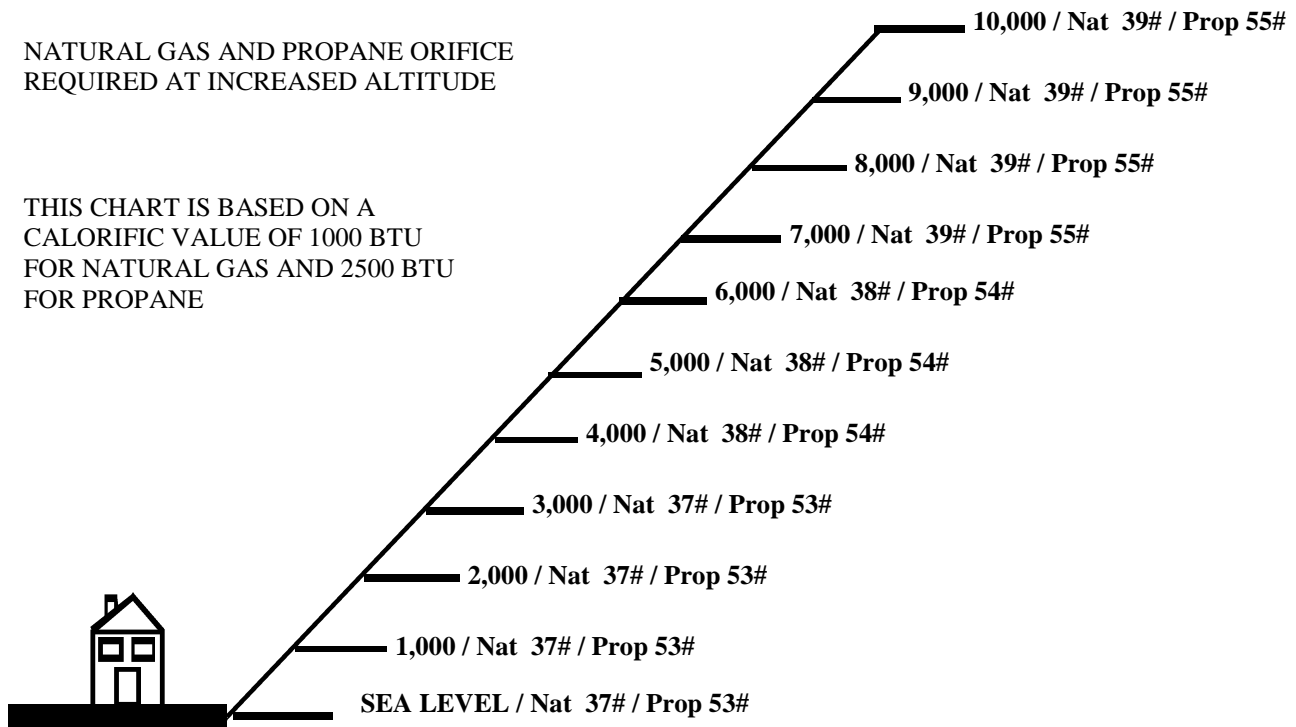
PART NAME	PART #
Gas Valve convertible—SIT	SIT0820652
Piezo igniter with nut	SIT0073952
Relief Plate gasket	36" x 5/8" dense gasket
Burner Orifice Propane	#53
Burner Orifice Nat. Gas	#37
2 piece log set	M0814
Brick Panel Right	6062
Brick Panel Left	6063
Brick Panel Rear	6061
Brick Panel Base	6060
Brick Panel base Right	6103
Brick Panel Base Left	6104
Brick panel clip	6065
Rheostat Fan Control w/off	0136
Door Assembly—Black	Z6018P-C
Door Assembly—Gold	Z6018G-C

PART NAME	PART #
Main Door Rope Seal	0188
Fan assembly	0719B
ON/OFF rocker switch	0725
Spark igniter electrode	0738B
Thermopile generator	0721A
Thermocouple	0842VC
Pilot assembly	Z6003P
Burner tray Assembly	Z9919
Orifice spring	0723
30% Vent Restrictor	6082
60% Vent Restrictor	6094
70% Vent Restrictor	6095
75% Vent Restrictor	6097
Bag of Fiber Embers	0745
LPG Conversion Kit—SIT (0-2000ft USA / 0-4500ft Canada)	Z0760P
Fan Switch 130F	1144AA

## High Altitude Chart

Equivalent Orifice Sizes at High Altitudes per the current edition of ANSI Z223.1 (Includes 4% input reduction for each 1,000 feet).

**In Canada the appliance is certified for use, up to 4500 ft, with a #37 orifice (natural gas) & #53 orifice (propane).**



Check with your local gas supplier for correct calorific value (btu rating).

### HIGH ALTITUDE INSTALLATION

When installing this appliance over 4500 ft (1370 m) above sea level in Canada, the appliance must be properly de-rated and installed according to local codes. In the absence of local codes in accordance with CSA B149.1, in Canada. In the US for installations above 2000ft the appliance must be installed in accordance with the current National Fuel Gas Code, ANSI Z223.1/ NFPA 54.

## Optional Conversion Kits

“This conversion kit shall be installed by a qualified service agency in accordance with the manufacturer’s instructions and all applicable codes and requirements of the authorities having jurisdiction. If the information in these instructions is not followed exactly, a fire, explosion or production of carbon monoxide may result causing property damage, personal injury or loss of life. The qualified service agency is responsible for the proper installation of the kit. The installation is not complete until the operation of the converted appliance is checked as specified in the instruction manual supplied with the kit.” Before performing this or any service procedure, make sure that the gas supply to the unit and the electrical supply are shut off.

**CONVERSION KIT CONTENTS**

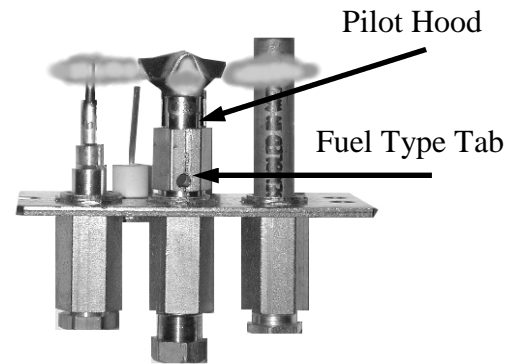
1. Main Burner orifice.
2. Valve Kit.
3. Conversion Sticker

The model Contemporary is designed to burn either Natural Gas or Propane (LP) Fuel. Each heater leaves the factory equipped for one specific fuel but it is a simple operation to convert the heater to an alternate fuel in the field. The original fuel type is marked on the rating label:

- NATURAL GAS                       PROPANE

**To convert to an alternate fuel, follow these steps:**

1. Open the front viewing door.
2. Remove the log set and brick panels.
3. Remove the log support plate screws.
4. Remove the burner assembly.
6. Remove the pedestal wrap
7. Using a 1/2” socket, unscrew the main burner orifice and replace with alternate gas orifice. Note That the primary air bracket can be rotated to removed orifice
8. See the separate gas valve manufacturers instructions supplied in the kit.
9. Replace in reverse.



See page 32 for pilot instructions.

**To Convert the Pilot fuel, follow these steps:**

1. Use a 7/16” wrench to loosen the pilot hood
2. Push the little silver tab in and the little red tab should pop out.
3. The red tab out is used for Propane
4. The silver tab out is for Natural Gas
5. Re-tighten the pilot hood.

**LEAK TESTING:**

**CAUTION: DO NOT TEST FOR LEAKS WITH AN OPEN FLAME.**

- ◆ With the main burner “ON”, test the new pressure regulator using a soap solution
- ◆ Check all fittings for leaks using the soap solution.

**FUEL CONVERSION LABEL:**

- ◆ Fill out and attach the fuel conversion label #0630 provided in the kit and attach it to the stove near the upper right hand corner of the approval label inside the left hand side door of the unit.

**AERATION ADJUSTMENT**

**IMPORTANT: IF YOU CHANGED THE FUEL THE AERATION WILL REQUIRE ADJUSTMENT - SEE PAGE 20**

**ALLOW THE UNIT TO BURN FOR AT LEAST 15 MINUTES TO CHECK THE FLAME PICTURE.**

- ◆ If you have converted from Natural gas to Propane you will have to INCREASE the aeration opening as propane requires more primary air to burn correctly.
- ◆ If you have changed from Propane to Natural gas you may have to REDUCE the aeration opening as Natural gas requires less primary air to burn correctly.

## **Blaze King Warranty**

Gas stoves manufactured by Blaze King Industries and/or Valley Comfort Systems Inc. are covered by a limited lifetime warranty against manufacturers defects in material and workmanship. Details of this comprehensive warranty program are outlined below. In addition to the terms outlined for the limited lifetime warranty, our products carry a 5 year warranty which covers mechanical and electrical components including labor costs outlined below. The combination of these warranty policies provide a very strong coverage package that we are proud to offer you, our customers. Our Blaze King tradition of building high quality products for over 25 years is really your most important assurance of quality but it's nice to know that should something fail (and it occasionally does) you are covered by a warranty policy that leads the industry. To ensure the coverage is in place you must have your unit properly installed by an authorized Blaze King dealer and you must register your ownership. **Blaze King's warranty policy applies only to units sold, installed and/or for use in the USA or Canada. No person is authorized to modify this warranty or make any additional warranties on behalf of the manufacturer, Blaze King.**

### **Components and parts 5 year warranty:**

Blaze King warrants the following parts; blower motors, door gasket, blower speed control, logs, pilot assembly, gas valve, gas lines, thermocouple and/or thermopile against defects in material or workmanship to the original purchaser, for five years following the date of purchase.

### **Labor costs during the 5 year warranty period:**

Blaze King manufacturers warranty covers labor costs to the original purchaser based on our schedule of approved charges, provided to our authorized dealers. Blaze King will only be responsible for labor costs provided by our authorized dealers and based upon the schedule.

### **Limited Lifetime Coverage**

This warranty contains different terms that cover specific parts of the gas appliance. Blaze King warrants the following parts of the gas appliance against defects in material or workmanship to the original retail purchaser. For the first five years of ownership, the combustion chamber, heat exchanger and burners will be replaced by Blaze King, conditional upon production availability. From year 6 through to the end of ownership by the original purchaser, Blaze King will provide replacement or repair of the aforementioned parts, conditional upon current production availability, at 50% of current retail price but does not cover any charges relating to labor. This portion of the warranty coverage is not transferable and applies only to the original purchaser.

### **How to Get Service**

If this product requires repair or replacement due to defects in material or craftsmanship during the first five years of ownership, contact your Blaze King dealer and explain the nature of the problem. If the dealer is unable to repair or replace the product to your satisfaction then contact Blaze King at 509-522-2730 in the USA or 250-493-7444 in Canada. If a replacement part is sent directly to you, please contact Blaze King to obtain a Return Authorization Number (RA#) for all defective parts. Blaze King will refuse delivery of any returned packages not clearly showing an (RA#). All expenses relating to the shipping of defective parts or entire stoves will be at purchaser's expense.

### **Blaze Kings Responsibilities:**

If the purchaser has complied with all the terms and conditions of this warranty and if the purchaser has notified Blaze King of the defect prior to the expiration of any warranted items, the following procedure will occur. Blaze King will inspect the product to determine that there is indeed a defect and that the defect is covered by warranty. Blaze King will either repair or replace the product at its' discretion. Under no condition whatsoever does Blaze King provide or imply warranty coverage for venting components used in the installation of our products. This warranty details the obligations and liabilities of Blaze King and no other warranties are expressed or implied. Blaze King reserves the right to investigate and settle all claims against warranted parts at their discretion. In no event shall Blaze King be held responsible for indirect or consequential damages of any nature which are in excess of the original purchase price of the product. Blaze King may at its' discretion discharge any or all obligations by refunding the wholesale price of any defective part or parts.

### **Misuse of Stove Nullifies Warranty:**

The above warranty is conditioned upon the proper installation and use of the product according to the manufacturers instructions as specified in the "Owners Installation & Operations Instructions" and in compliance with applicable local building and fire codes. Blaze King recommends the local building inspector or fire department inspect the unit prior to initial use. Consult the "Owners Installation & Operations Instructions" supplied with each unit prior to installation or operation. Alteration, abuse, lack of maintenance, faulty repairs or misuse will void the warranty. Abuse includes but is not limited to the use of fuels other than as specified in the "Owners Installation & Operations Instructions."

### **Legal Rights of Purchaser:**

This warranty gives you specific legal rights and you may have other rights that vary from state to state (or province to province).

### **Blaze King Assurance Plan:**

Included with each gas stove manufactured by Blaze King is a Warranty Card, which must be completed in its entirety and returned to Blaze King within ten days from the date of purchase. Blaze King will be unable to properly administer the warranty if the card is not completed and registered on file. The Protection Plan will pay to repair and or replace parts which fail under normal usage at labor rates established by this Agreement. Extra charges such as mileage, overtime or shipping are not covered. Nuisance calls are not covered by the Plan. This Plan is for residential stoves and does not apply to commercial applications. Only repairs attributed to normal failure of the electronic and mechanical functions of the stove are covered. Failure due but not limited to, abuse, negligence, impact, fire, lightning, power failures and or surges, rust and corrosion are not covered. Damage and or repairs to cabinets and all exterior components, remote controls, and normal maintenance, related duct work, power surges, electrical spikes or electrical circuit overloads, filters, knobs, glass, gaskets, block and tile etc., are not covered. Additional or unusual utility bills incurred due to any malfunction or defect in equipment listed on the Plan, labor cost of gaining access to or removal of a unit that requires special equipment or tools such as cranes, ladder trucks, etc., are not covered. These include but are not limited to, cleaning, adjustments of the customer controls and customer product education. Labor, materials, expenses or equipment required to comply with the law and or regulations set forth by any governmental agencies are not covered by this Plan.

# Troubleshooting

Please check to make sure the instructions are followed exactly before attempting trouble shooting of the appliance.

**WARNING:** Trouble shooting and servicing of gas and electrical devices of the appliance should only be conducted by a qualified service technician.

**CAUTION:** Label all wires prior to disconnection when servicing controls. Wiring errors can cause improper and dangerous operation. Verify proper operation after servicing.

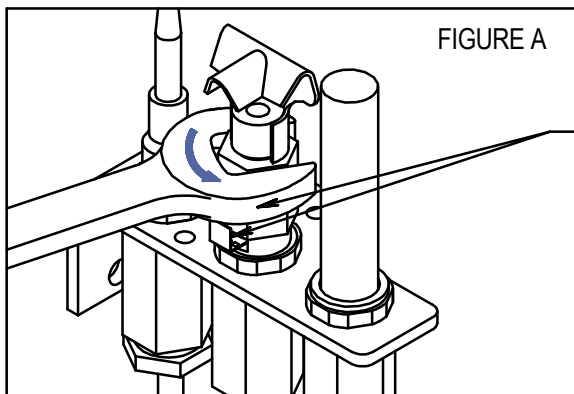
PROBLEM	POSSIBLE CAUSE	CORRECTIVE ACTION
Pilot will not light after pressing the sparker many times.	<i>Air in gas line. No gas supply. Piezo wire loose. Defective Piezo. Piezo wire grounding. Electrode grounding. Electrode gap Incorrect.</i>	<ul style="list-style-type: none"> <li>• Purge air out of gas line.</li> <li>• Check to make sure the gas supply to the appliance is turned on and there is adequate gas supply pressure to the appliance.</li> <li>• Check for sparks between the spark electrode and the pilot head when the sparker is pressed. If there are no sparks:                             <ul style="list-style-type: none"> <li>• Check for broken or poor connection from the sparker to the electrode.</li> <li>• Check for the spark shorting or arcing at other locations.</li> <li>• Check for defective piezo.</li> <li>• Check for defective/cracked spark electrode.</li> </ul> </li> <li>• With the viewing door open, try lighting the pilot with a match.</li> <li>• Note: If there is no gas or air coming out of the pilot and there is gas pressure to the appliance, the pilot orifice may be blocked or the gas valve maybe defective.</li> </ul>
Pilot will not remain on after being lit.	<i>Poor Pilot flame. Faulty thermocouple. Thermocouple and/or Thermopile grounding. Loose TP-THTP on gas valve. Faulty gas valve. <b>Note: This is very rare and faults blamed on the gas valve are usually incorrect.</b></i>	<ul style="list-style-type: none"> <li>• Check to see if the pilot flame is large enough to reach and surround the thermocouple. If the flame is too small, check for correct gas supply pressure. If pressure is good, adjust the pilot flame size with the adjustment screw on the valve. If the flame cannot be adjusted, there might be some debris obstructing the pilot orifice.</li> <li>• Check for correct millivolts at the thermocouple. The thermocouple should generate at least 30 mv.</li> <li>• Check for poor connection of the thermocouple and thermopile to the valve.</li> <li>• If readings are correct for thermopile and thermocouple replace gas valve.</li> </ul>
The main burner does not turn on with the pilot lit.	<i>Gas valve not in <b>on</b> position. Faulty thermopile. Faulty unit <b>on/off</b> switch. Faulty thermostat. Faulty Gas Valve</i>	<ul style="list-style-type: none"> <li>• Check to make sure the control knob is turned to the '<b>ON</b>' position.</li> <li>• Check for correct millivolts at the thermopile, it should generate at least 250mv.</li> <li>• Place jumper wire across terminals <b>TH-THTP</b>, if burner comes on this will indicate you have a poor connection or faulty appliance <b>on/off</b> switch, wall switch or wall thermostat.</li> <li>• Check the minimum inlet gas supply pressure, if the minimum pressure is present then try changing the gas valve.</li> </ul>
Frequent pilot outage problems.	<i>Pilot adjusted too low. Switch wires may be grounding out. Thermocouple worn. Adverse wind conditions.</i>	<ul style="list-style-type: none"> <li>• Adjust pilot and clean if required.</li> <li>• Check switch wires.</li> <li>• Check thermocouple millivolts (see above).</li> <li>• Check termination location is not subject to adverse environmental conditions.</li> </ul>
The main burner shuts off when the appliance is warm.	<i>Pilot flame lifting of thermopile.</i>	<ul style="list-style-type: none"> <li>• Check thermopile voltage from start up. If the millivolts drop dramatically it is an indication that the pilot is lifting. Check the vent is correctly attached.</li> </ul>
Excessive soot on burner or logs.	<i>Incorrect aeration adjustment. Incorrect venting.</i>	<ul style="list-style-type: none"> <li>• Check aeration setting.</li> <li>• Check that venting is correctly attached.</li> </ul>
Sharp blue flames lifting off burner.	<i>Incorrect aeration adjustment.</i>	<ul style="list-style-type: none"> <li>• Reduce primary aeration adjustment.</li> </ul>
Convection blower does not operate.	<i>No power supply. Thermal snap switch lose or defective. Loose electrical connection. Defective speed controller. Defective blower.</i>	<ul style="list-style-type: none"> <li>• Check electrical supply to unit.</li> <li>• Turn the fan speed control to a different setting, make sure it is not in the off position</li> <li>• Check for correct positioning of the snap disc. You can by-pass the snap disc to check it's operation.</li> <li>• Check all electrical connections are secure.</li> <li>• By-pass the speed controller to check for defective operation.</li> <li>• With the speed control by-passed check for 120 VAC to the motor. If you have 120VAC and the motor is not working, the blower motor is defective.</li> </ul>



## GAS CONVERSION INSTRUCTIONS FOR CONVERTIBLE ORIFICE IN END MOUNT BRACKET PILOT ("C" SERIES)

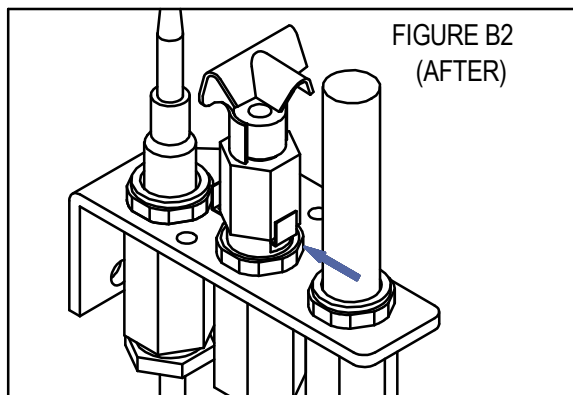
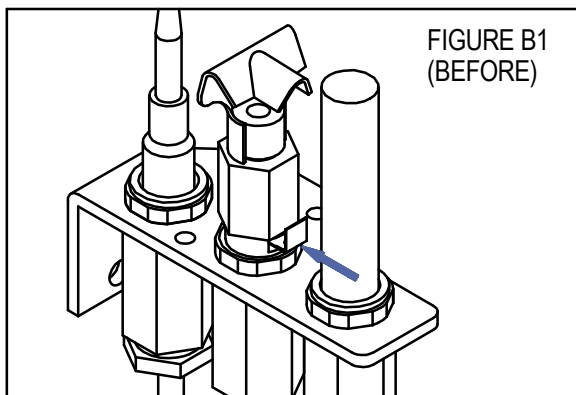
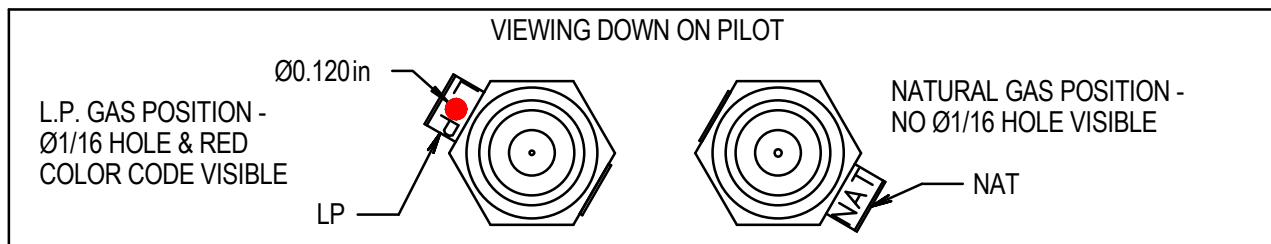
NOTE: IT IS NOT NECESSARY TO REMOVE THE PILOT TUBE FOR GAS CONVERSION

1) LOOSEN (CCW ROTATION) THE PILOT TARGET HEX FITTING 1/4 TURN WITH A 7/16" END WRENCH AS SHOWN IN FIGURE A. USE CAUTION TO AVOID BENDING ORIFICE STRIP BY IMPROPER PLACEMENT OF END WRENCH.

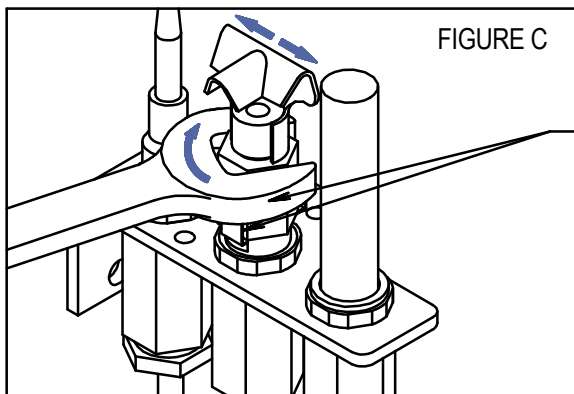


2) PUSH ORIFICE STRIP TAB ALL THE WAY AGAINST THE HEX FITTING AS SHOWN IN FIGURE B1 & B2.

NOTE: ORIFICE STRIP MAY BE RANDOMLY LOCATED ON ANY SIDE OF HEX FITTING



3) RE-TIGHTEN THE PILOT TARGET HEX FITTING UNTIL THE PILOT TARGET ALIGNS WITH THE THERMOCOUPLE & THERMOPILE AS SHOWN IN FIGURE C. USE CAUTION TO AVOID BENDING ORIFICE STRIP BY IMPROPER PLACEMENT OF END WRENCH.



4) INSTALLATION IS COMPLETE.

