

BLAZE KING

GAS APPLIANCES

**Pegasus Model 9401 Direct Vent
Also for Mobile Home Installation**

Owner's Installation and Operations Manual

SAVE THESE INSTRUCTIONS

FOR YOUR SAFETY

If you smell gas:

1. Open Windows.
2. Do not touch any electrical switch.
3. Extinguish any open flame.
4. Immediately call your gas supplier.
5. If you cannot reach your gas supplier, call the Fire Department.

WARNING: IMPROPER INSTALLATION, ADJUSTMENT, ALTERATION, SERVICE OR MAINTENANCE CAN CAUSE INJURY OR PROPERTY DAMAGE, REFER TO THIS MANUAL FOR ASSISTANCE OR ADDITIONAL INFORMATION. CONSULT A QUALIFIED INSTALLER, SERVICE AGENCY OR GAS SUPPLIER.

DO NOT BURN WOOD, PAPER OR OTHER MATERIAL IN THIS APPLIANCE.

***DO NOT STORE OR USE GASOLINE OR OTHER FLAMMABLE VAPORS AND LIQUIDS
IN THE VICINITY OF THIS OR ANY OTHER APPLIANCE.***

**B.K.I. INC.
400 W. WHITMAN DRIVE
College Place, Washington 99324
(509) 522-2730**

Dear Customer:

Thank you for purchasing the Blaze King gas appliance. It is our goal to have every purchaser of a Blaze King, a satisfied customer. This owner's manual explains the steps required to safely assemble, install, operate, and maintain your new appliance.

Be a responsible appliance owner. Carefully read these requirements for safe installation and proper operation **BEFORE** installing and using your appliance. Obtain permits from the Building Inspector or Fire Department if local laws require. Check local building and Fire Codes before installing your appliance. When you have completed the installation, have it checked by your local inspector. Disregarding inspection and code requirements may jeopardize your homeowner's insurance. Contact your insurance agent since some insurance carriers require notification of an appliance installation. We want your Blaze King to give you a lifetime of trouble-free operation.

We have made every effort to make these installation and operating instructions as complete as possible. If you have any questions that have not been answered here, contact your **BLAZE KING** dealer, Local Building Inspector, Fire Department, or our customer service department at Blaze King Industries (509)522-2730.

The management and Employees of **BLAZE KING**

KEEP THIS MANUAL FOR FUTURE REFERENCE!!

TABLE OF CONTENTS

| | |
|--|----|
| SPECIFICATIONS MODEL 9401 | 4 |
| SAFETY NOTICE | 5 |
| WARRANTY | 6 |
| COPY OF LABEL | 8 |
| CAUTION..... | 9 |
| ELECTRICAL GROUNDING INSTRUCTIONS..... | 9 |
| PREPARATION & ASSEMBLY | 10 |
| APPLIANCE ASSEMBLY | 11 |
| DRIFTWOOD & OAK LOG INSTALLATION | 12 |
| PLANNING YOUR STOVE PLACEMENT | 14 |
| GAS CONNECTIONS | 16 |
| CLEARANCE DIAGRAM | 17 |
| VENT TERMINAL LOCATIONS | 18 |
| VENT ASSEMBLY INSTRUCTIONS Z0770H, Z0770V, Z0770P and Z0762 | 19 |
| BURNER CONVERSION INSTRUCTION..... | 23 |
| ORIFICE SIZING TABLE..... | 24 |
| LIGHTING PREPARATION..... | 25 |
| LIGHTING INSTRUCTIONS..... | 26 |
| GAS FLAME ADJUSTMENT | 27 |
| WIRE DIAGRAMS | 28 |
| REPLACEMENT PARTS LIST | 29 |

SPECIFICATIONS

MODEL 9401

HIGH BURN STEADY STATE EFFICIENCY:

| | NATURAL - % | LP - % |
|--|--------------------|---------------|
| | 83.4 | 85.5 |
| | NATURAL GAS | LP GAS |
| Input Rating (BTU/hr) 0-610 m 0-2,000 Ft. Alt. | 38,000 | 38,000 |
| Orifice (DMS) 610 m | 32 | 50 |
| Input Rating (BTU/hr) 610-1370 m 2,000-4,500 Ft. Alt | 36,700 | 34,300 |
| Orifice (DMS) 1370 m | 33 | 51 |
| Unit Factory Equipped for 0-610 m 0-2,000 Ft. Alt. | NATURAL GAS | LP GAS |
| Minimum Input (BTU/hr) | 22,800 | 19,000 |
| Maximum Output (BTU/hr) | 31,700 | 32,500 |
| Minimum Output (BTU/hr) | 18,300 | 15,600 |
| Manifold Pressure (in w.c./kPa) | 3.5/.87 | 10.0/2.49 |
| Manifold Pressure Lo-setting (in w.c./kPa) | 1.3/.32 | 2.7/.67 |
| Minimum Inlet Pressure (in w.c./kPa) | 4.5/1.12 | 10.5/2.61 |
| Maximum Inlet Pressure (in w.c./kPa) | 10.5/2.61 | 13.0/3.24 |

Maximum outputs are with fans on.
 Minimum outputs are with fans off.

| | |
|--------------|----------|
| Width | 25 |
| Height | 30 |
| Depth | 19-3/4 |
| Weight | 157 lbs. |

Gas appliances must be tested and certified by a nationally recognized testing and certification agency to ANSI Gas Appliance Safety Standard.

The Blaze King Freestanding Gas Appliance has been tested and certified by **WARNOCK HERSEY, INC.**, Middleton, WI 53562 to ANSI Standard Z21.11.1 1991 "Gas-Fired Vented Room Heater." ANSI Z21.44-1991 "Gas Fired Gravity and Fan Type Wall Furnaces" UL307B - "Gas burning Heating Appliances for Mobile Homes and Recreational Vehicles" CAN1-2.1-M89 "Gas-Fired Vented Room Heaters." I.R. #41-1991 "Direct Vent Gas Fireplaces." CAN/CGA-2.17-M91 "Gas-Fired appliance for use at High Altitudes."

SAFETY NOTICE

IF THIS APPLIANCE IS NOT PROPERLY INSTALLED A HOUSE FIRE MAY RESULT. FOR YOUR SAFETY, FOLLOW THE INSTALLATION DIRECTIONS. CONTACT LOCAL BUILDING OR FIRE OFFICIALS ABOUT RESTRICTIONS AND INSTALLATION REQUIREMENTS IN YOUR AREA. PLEASE READ THIS ENTIRE MANUAL BEFORE YOU INSTALL AND USE YOUR NEW APPLIANCE. FAILURE TO FOLLOW INSTRUCTIONS MAY RESULT IN PROPERTY DAMAGE, BODILY INJURY or DEATH.

.....

CAUTIONS:

NEVER vent the appliance to other rooms or buildings. The appliance must be vented **ONLY** to the outside.

NEVER burn the appliance with the viewing door open.

FIRE EXTINGUISHER:

Every home should have at least one fire extinguisher. An approved "Class A-B-C" extinguisher should be mounted on the wall near an exit and close to the appliance, but not so close that accessibility to the extinguisher could be blocked by a fire. Your local fire department can advise you concerning the most appropriate location.

BUILDING AND FIRE CODES, PERMITS AND INSPECTIONS:

The installation of this gas appliance must comply with your local building and fire codes. Always contact you local Building Inspector and/or Fire Department before beginning the installation process. If required, obtain a permit before installation and have the completed installation inspected. Remember that not complying with building and/or fire codes may jeopardize your homeowner's insurance.

CHILDREN:

Do Not Allow Children to play near the appliance or with the controls. Severe burns may be inflicted by touching the door or glass, the front, sides or top of the appliance. Train children to stay away from the appliance, and never leave the children unattended in the room when the appliance is in operation.

SMOKE DETECTORS:

Install at least one smoke detector on each floor of your home to ensure your safety. It should be located away from the gas appliance and close to the sleeping areas. Follow the smoke detector manufacturers' placement Installation and maintenance instructions. You local Fire Department may provide assistance in selecting smoke detectors or contact the Consumer Product Safety Commission Washington, D.C. 20207

THE APPLIANCE AREA MUST BE KEPT CLEAR FROM COMBUSTIBLE MATERIALS GASOLINE AND OTHER FLAMMABLE VAPORS AND LIQUIDS.

BLAZE KING (CANADA) GAS APPLIANCE LIMITED WARRANTY

BLAZE KING offers a five-year limited appliance warranty on the firebox. A one-year warranty on all other components.

.....

DISCLAIMER OF WARRANTIES AND LIMITATION OF LIABILITY

THERE ARE NO UNDERSTANDING AGREEMENTS, REPRESENTATIONS OR WARRANTIES EXPRESS OF IMPLIED INCLUDING WARRANTIES OF MERCHANTABILITY OR FITNESS FOR A PARTICULAR PURPOSE OTHER THAN THOSE SPECIFICALLY SET OUT BY THE "BLAZE KING LIMITED WARRANTY".

THE WARRANTY STATES THE ENTIRE OBLIGATION OF THE MANUFACTURER AND SELLER. THE CONTENTS OF THIS INSTALLATION AND OPERATIONS MANUAL SHALL NOT BECOME PART OF OR MODIFY THE WARRANTY.

.....

The information, recommendations, descriptions, and safety notations in this document are based on Blaze King's judgement and experience regarding gas appliances. THIS INFORMATION SHOULD NOT BE CONSIDERED TO BE ALL-INCLUSIVE OR COVERING ALL CONTINGENCIES. In no event will Blaze King be responsible to the user in contract in tort (including negligence) strict liability or otherwise for any special indirect incidental or consequential damage or loss whatsoever resulting from the use of the information, recommendations, descriptions, and safety notations contained herein. If further information is required consult your local building or fire officials, your Blaze King dealer or Valley Comfort/Blaze King.

MISUSE OF STOVE NULLIFIES WARRANTY.

The above warranty is conditioned upon the proper installation and use of the product according to the manufacturer's directions embodied in the "Owners Installation and Operation Instructions" published by Blaze King and in compliance with the local building and fire codes in the area where it is installed. The unit should be inspected by the local building inspector or fire department prior to beginning use. Read the "Owners Installation and Operation Instructions" before installing or using the stove. Save these instructions for further maintenance and safety procedures. Alteration of, abuse of, damage to, lack of maintenance, faulty repair or misuse of the product voids this warranty. Such abuse includes using fuel other than what is specified in the "Owners Installation and Operation Instructions" from your gas appliance.

OTHER LEGAL RIGHTS OF THE PURCHASER.

The Blaze King warranty gives you specific legal rights and you may also have other rights which may vary from state to state. If you do not agree to the purchase of the gas appliance on the terms and conditions set out in the warranty, then you must return the gas appliance to the dealer prior to use or installation and the purchase price will be refunded.

PLEASE KEEP YOUR RECEIPT, AS PROOF OF PURCHASE.

ALL WARRANTY CLAIMS SHOULD BE MADE THROUGH THE DEALER YOU PURCHASED THE APPLIANCE FROM

DATE OF PURCHASE _____

MODEL # _____

SERIAL NUMBER _____

DEALER NAME: _____

THIS PRODUCT IS PROUDLY MANUFACTURED, IN CANADA, BY:

VALLEY COMFORT SYSTEMS INC.

**1290 Commercial Way
Penticton, BC V2A 3H5**

Phone: (604) 493-7444



Listed Gas-Fired Direct Vent Room Heater
 Also for Installation in a Mobile Home
 BLAZE KING PEGESUS 9401

WH-

Certified for U.S. and Canada
 Homologue Pour Le Canada

This stove is factory equipped for:
 Natural Gas
 Propane Gas

Tested to ANSI Z21.11.1-1991 "Gas Fired Vented Room Heaters". Applicable sections of
 ANSI Z21.44-1991 "Gas-Fired Gravity and Fan Type Direct Vent Wall Furnaces"
 UL307B- "Gas Burning Heating Appliances for Mobile Homes & Recreational Vehicles"
 CANI-2.1 M89 "Gas Fired Vented Room Heaters I.R. #41-1991 "Direct Vent Gas Fireplaces".
 CAN/CGA-2.17-M91 "Gas Fired Appliances for use at High Altitudes"

| | Natural Gas | LP Gas |
|--|-------------|-----------|
| Input Rating (Btu/hr) 0-610 m 0-2000 Ft. Alt. | 38,000 | 38,000 |
| Orifice (DMS) 0-610 m | #32 | #50 |
| Input Rating (Btu/hr) 610-1370 m 2,000-4,500 Ft. Alt | 36,700 | 34,300 |
| Orifice (DMS) 610-1370 m | #33 | #51 |
| Manifold Pressure (In w.c./kPa) | 3.5/1.87 | 10.0/2.49 |
| Manifold Pressure Lo Setting (In w.c./kPa) | 1.3/1.32 | 2.7/1.67 |
| Minimum Inlet Pressure (In w.c./kPa) | 4.5/1.12 | 10.5/2.61 |
| Maximum Output (Btu/hr) | 31,700 | 32,500 |
| Minimum Input (Btu/hr) | 22,800 | 19,000 |
| Minimum Output (Btu/hr) | 18,300 | 15,600 |
| Unit Factory Equipped for 0-610 m 0-2000 Ft. Alt. | | |

This appliance must be installed in accordance with the manufacturer's instructions and the manufactured home construction and safety standards, Title 24 CFR, Part 3280. This appliance must be installed in accordance with local codes if any; if not follow ANSI Z223.1 or CAN/CGA-B149.

MINIMUM CLEARANCES FROM COMBUSTIBLE CONSTRUCTION

| | | |
|--|-----------------------|------------|
| Unit to Sidewall | 11 in. | (280 mm) |
| Unit to Backwall | 4 in. | (100 mm) |
| Unit to Adjacent Wall Corner | 4 in. | (100 mm) |
| Alcove Minimum Width 47 in. (1190 mm) | Minimum Height 61 in. | (1550 mm) |
| Maximum Depth 30 in. (760 mm) | | |

Electrical Rating: 115 Volts, .7 Amperes, 60 Hz

DANGER: Risk of electrical shock. Disconnect power before servicing unit. Do Not route power cord beneath heater. Not for use with Solid Fuel.

Manufactured By:

BLAZE KING INDUSTRIES
 P.O. Box 367
 College Place, WA 99324

Manufacture Date:

- | | | | |
|-------------------------------|-------------------------------|-------------------------------|--------------------------------|
| <input type="checkbox"/> 1994 | <input type="checkbox"/> 1995 | <input type="checkbox"/> 1996 | <input type="checkbox"/> 1997 |
| <input type="checkbox"/> JAN | <input type="checkbox"/> FEB | <input type="checkbox"/> MAR | <input type="checkbox"/> APRIL |
| <input type="checkbox"/> MAY | <input type="checkbox"/> JUNE | <input type="checkbox"/> JULY | <input type="checkbox"/> AUG |
| <input type="checkbox"/> SEPT | <input type="checkbox"/> OCT | <input type="checkbox"/> NOV | <input type="checkbox"/> DEC |

0195A

CAUTIONS

This appliance installation must conform with local codes and with the National Fuel Gas code ANSI Z223.1-1992 and Addenda Z223.1a-1987 or CAN 1-B149.

The appliance and its individual shut off valve must be disconnected from the gas supply piping system during any pressure testing of that system at test pressures in excess of 1/2psig. (3.5 kPa)

The appliance must be isolated from the gas supply piping system by closing its individual manual shut off valve during any pressure testing of the gas supply piping system at test pressures equal to or less than 1/2 psig. (3.5 kPa). The appliance installer must provide a 1/2 inch N.P.T. plugged tapping accessibility for test gage connection immediately upstream of the gas supply connection to the appliance.

Should overheating occur, or the gas supply fail to shut off, shut off the manual gas valve to the appliance before shutting off the electrical supply.

When the appliance is installed directly on carpeting, tile or other combustible material other than wood flooring the appliance shall be installed on a metal or wood panel extending the full width and depth of the base.

WARNING: If the appliance is installed in the basement, please see local codes before using propane.
USE ONLY THE GLASS DOOR CERTIFIED WITH THIS APPLIANCE

ELECTRICAL GROUNDING INSTRUCTIONS

WARNING - The appliance, when installed must be electrically grounded in accordance with local codes or in the absence of local codes with the National Electrical Code ANSI/NFPA 70-1987. Or the current Canadian Electrical Code - CSA.C22.1

This appliance is equipped with a three prong (grounding) plug for your protection against shock hazard and should be plugged directly into a properly grounded three prong receptacle. **DO NOT** cut or remove the ground prong from this plug.

PREPARATION & ASSEMBLY

WARNING

IMPROPER ASSEMBLY AND/OR INSTALLATION OF YOUR BLAZE KING GAS APPLIANCE OR FAILURE TO OPERATE IT ACCORDING TO THE GUIDELINES DETAILED IN THESE INSTRUCTIONS WILL VOID THE APPLIANCE WARRANTY, CAN CAUSE A HOUSE FIRE, AND MAY ENDANGER YOUR FAMILY. FOR YOUR SAFETY, FOLLOW THE ASSEMBLY AND INSTALLATION INSTRUCTIONS CAREFULLY. CONTACT LOCAL BUILDING OR FIRE OFFICIALS ABOUT RESTRICTIONS AND INSTALLATION INSPECTION IN YOUR AREA. PLEASE READ THIS ENTIRE MANUAL BEFORE YOU INSTALL AND USE YOUR NEW APPLIANCE.

-
-
- * Due to high temperatures the appliance should be located out of traffic and away from furniture and draperies.
 - * Children and adults should be alerted to the hazards of high surface temperature and should stay away to avoid burns or clothing ignition.
 - * Young children should be carefully supervised when they are in the same room as the appliance.
 - * Clothing or other flammable material should not be placed on or near the appliance.
 - * Any safety screen or guard removed for servicing a room heater must be replaced prior to operating the appliance.
 - * Installation and repair should be done by a qualified service person.
 - * The appliance should be inspected before use and at least annually by a qualified service person.
 - * More frequent cleaning may be required due to excessive lint from carpeting, bedding material, etc.
 - * It is imperative that control compartments, burners, and circulating air passageways of the appliance are kept clean.
 - * To clean the stove, make sure the appliance is off and cold, then remove logs and use a vacuum to clean burner and air openings in the bottom of the appliance and also on the back of the appliance.

MOBILE HOME INSTALLATION

1. Must be mounted with 1/4" lag bolts through two holes in base.
2. Ground wire must be grounded to frame of mobile home.

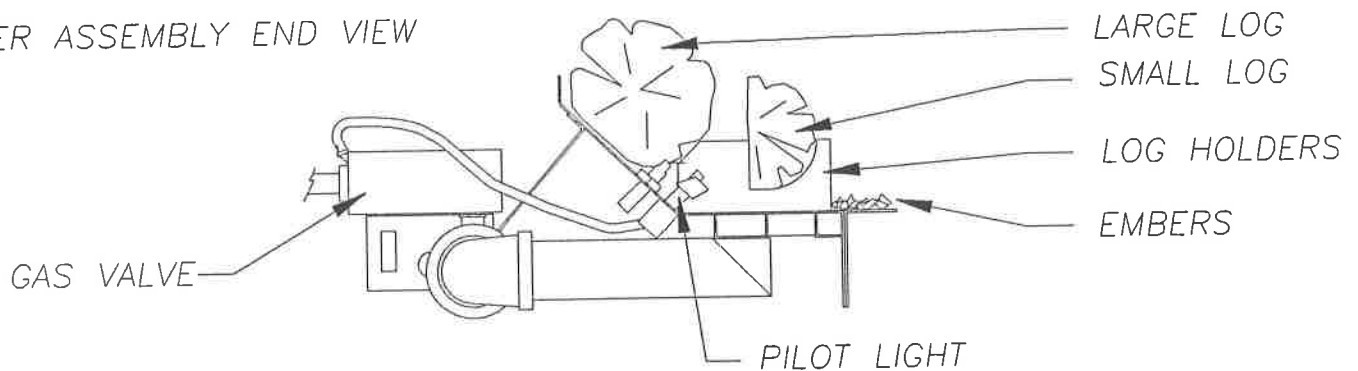
A manufactured home (mobile home) installation must conform with the Manufactured Home construction and Safety Standard, Title 24 CFR, Part 3280, or, when such a standard is not applicable, the Standard for Manufactured Home Installations, ANSI A225.1/NFPA 501A.

APPLIANCE ASSEMBLY

1. Remove all items packed in the firebox.
2. **PRODUCT INSPECTION:** BLAZE KING Appliances are known for their quality materials and construction. Inspect all parts for damage due to shipping and to be sure that all needed parts are enclosed. If you discover a part is missing or damaged, contact your dealer immediately for replacement or repair.
3. **Position the Log Set** (see page 12 & 13):
WARNING: DANGEROUS OPERATING CONDITIONS MAY OCCUR IF THESE LOGS ARE NOT POSITIONED IN THEIR PROPER LOCATIONS. READ THE FOLLOWING INSTRUCTIONS CAREFULLY AND REFER TO THE DIAGRAM BELOW.
4. **Ember Placement** - Place embers directly over the first set of small holes in the front of the Firebox. Embers should be evenly spread across this first set of small holes.

DO NOT PLACE EMBERS OVER THE LARGER HOLES BEHIND THIS FIRST SET OF SMALL HOLES.

BURNER ASSEMBLY END VIEW



Place the large log on burner assembly so that the bottom of the log rest against the burner assembly and the front of the log rest against the relieved corners of log holders. Center the log on the burner assembly. Make sure the curved part of the log is up. Place the small log in the log holders with the flat side to the back and the small end to your left. Make sure they are centered on the two log holders. You will find a small package of "EMBERS" and they can be broken up to the size you wish. The embers should be approximately the size of marbles. Use only the material provided with this appliance. DO NOT add more material. Arrange them over the front burner in front of the small log to resemble a coal bed.

DRIFTWOOD LOGS

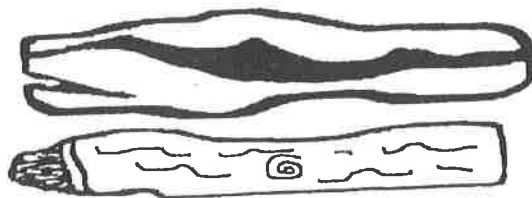


A



B

- A. BACK LOG: The large log (log A) should be placed in the back of the stove close to the far back wall. The flat side of log A should rest at an angle against the flat part of the back bracket with the rough textured side of the log facing you. The curved part of Lg A should be pointing upward. Also, the knot in the log, after placing the log in the bracket, should be on the far right side.
- B. FRONT LOG: This smaller log (log B) fits in the right and left side brackets closest to you. The flat portion of log B should be placed in these two backers, the rough textured side of the log with the knot in the middle should be pointing towards you. The rough end of log B should be pointing towards the left.



OAK LOGS



A



B

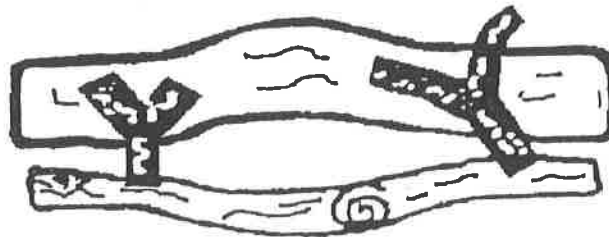


C



D

- A. BACK LOG: This larger log should be placed in the back of the stove close to the far back wall. The flat side of (Log A) should rest at an angle against the flat part of the back bracket with the rough textured side of the log pointing towards you. The curved part (of Log A) should be facing upwards.
- B. FRONT LOG: This smaller log fits in the right and left side brackets closest to you. The flat portion of log (B) should be placed in these two brackets. After setting this log in the brackets, the rough textured side of the log with the knot should be pointing outward toward you.
- C. LEFT SIDE LOG: (REGULAR SHAPED "Y"): This smaller "Y" shaped log (Log C) sits on the left side of the front and back logs (Logs A and B). (Log C) should be placed on the grooves so that the base of the "Y" is sitting on the grooves in the front log and the center of the (Y) rest against the peg on the back log.
- D. RIGHT SIDE LOG: (IRREGULAR SHAPED "Y"): On both sides of logs A and B, there are grooves (one on each side). The irregular shaped "Y" (log D) should be on the right side.



PLANNING FOR YOUR STOVE PLACEMENT

As you plan your installation consider the following:

The stove should be placed as central in the home as possible. Consider safety, convenience, traffic flow and the fact that the stove will need a venting system.

DUE TO HIGH TEMPERATURE THE ROOM HEATER SHOULD BE LOCATED OUT OF TRAFFIC AND AWAY FROM FURNITURE AND DRAPERIES. MINIMUM CLEARANCES SHOWN ON PAGE 17 ARE TO PREVENT WALLS AND CEILINGS FROM CATCHING ON FIRE.

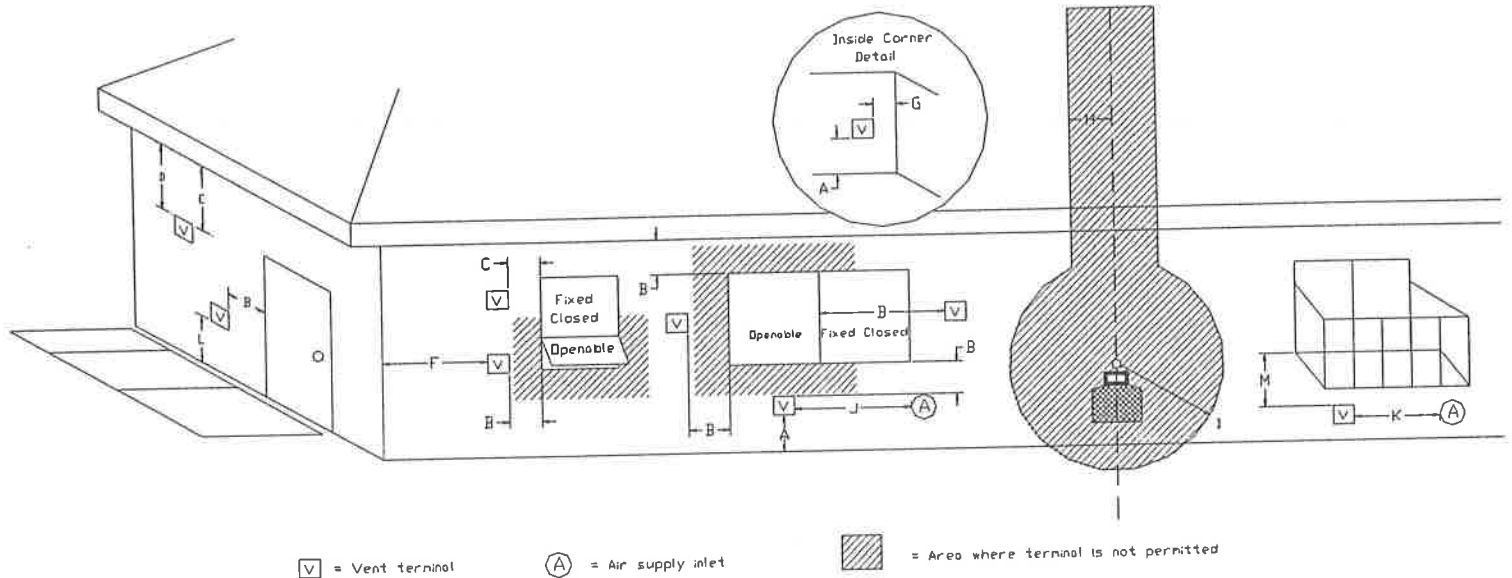
For the type of vent system to be used, see page 17. Electrical Power is 115-60HZ. The stove is equipped with a fan assembly with a six-foot electrical cord. Do not route the cord in front of the stove.

WARNING

ONLY PERSONS LICENSED TO WORK WITH GAS PIPING MAY MAKE THE NECESSARY GAS CONNECTION TO THIS APPLIANCE. YOU ARE READY TO HOOK UP THE GAS SUPPLY. BE SURE GAS PLUMBING INSTRUCTIONS AND ALL STATE AND LOCAL CODES ARE CAREFULLY FOLLOWED. USE APPROVED FLEXIBLE GAS CONNECTIONS OR RIDGED PIPING DEPENDING ON STATE AND LOCAL CODES TO ATTACH BURNER TO GAS SUPPLY. BE SURE TO USE PROPER SIZE GAS SUPPLY LINE. CAREFULLY CHECK ALL CONNECTION FOR GAS LEAKS WITH SOAP AND WATER SOLUTION.

EACH INSTALLATION MUST CONFORM TO ALL LOCAL STATE AND NATIONAL CODES. REFER TO THE NATIONAL FUEL GAS CODE AND LOCAL ZONING AND CODE AUTHORITIES FOR DETAILS ON INSTALLATION REQUIREMENTS. THE BLAZE KING APPLIANCES MUST BE VENTED TO THE OUTSIDE IN ACCORDANCE WITH THE LATEST EDITION OF THE NATIONAL FUEL GAS CODE. IN THE ABSENCE OF LOCAL CODES, THE INSTALLATION MUST CONFORM WITH NATIONAL FUEL GAS CODE ANSI Z223.1 ALSO KNOWN AS NFPA 54.

Stove Placement Diagram



- A= clearance above grade, veranda, porch, deck or balcony [*12 inches (30 cm) minimum]
- B= clearance to window or door that may be opened [*12 inches (30 cm) minimum for appliances \leq 100 000 Btuh (30 kW)].
- C= clearance to permanently closed window [minimum 12 inches (30 cm) recommended to prevent condensation of window]
- D= vertical clearance to ventilated soffit located above the terminal within a horizontal distance of 2 feet (60 cm) from the centre-line of the terminal [18 inches (46 cm) minimum]
- E= clearance to unventilated soffit [12 inches (30 cm) minimum]
- F= clearance to outside corner
- G= clearance to inside corner [12 inches (30 cm) minimum]
- H= * not to be installed above a meter/regulator assembly within 3 feet (90 cm) horizontally from the centre-line of the regulator
- I= clearance to service regulator vent outlet [*6 feet (1.8 m) minimum]
- J= clearance to non-mechanical air supply inlet to building or the combustion air inlet to any other appliance [*12 inches (30 cm) minimum for appliances \leq 100 000 Btuh (30 kW)] [36 inches (90 cm) minimum for appliances > 100 000 Btuh (30 kW)]
- K= clearance to a mechanical air supply inlet [*6 feet (1.8 m) minimum]
- L= Ⓞ clearance above paved side walk or a paved driveway located on public property [*7 feet (2.1 m) minimum]
- M= clearance under veranda, porch, deck or balcony [*12 inches (30 cm) minimum ☆]

- Ⓞ a vent shall not terminate directly above a side walk or paved driveway which is located between two single family dwellings and serves both dwellings.
- ☆ only permitted if veranda, porch, deck, or balcony is fully open on a minimum of 2 sides beneath the floor
- * as specified in CGA B149 Installation Codes (1991) **NOTE: Local Codes or Regulations may require different clearances.**

GAS CONNECTION

The gas line may be installed at this time. Make sure to follow all state and local codes. It is recommended by Blaze King that gas connection be made by a Licensed and qualified installer. The appliance can be connected to the supply line with either rigid or approved flexible gas connection. Check with state and local codes.

Attach a 1/2" close nipple to the control valve at this point there must be a 1/2 inch N.P.T. plugged tee accessible for a test gage. Then the connection pipe connected to a 1/2" shut off valve, which should be mounted to the supply line.

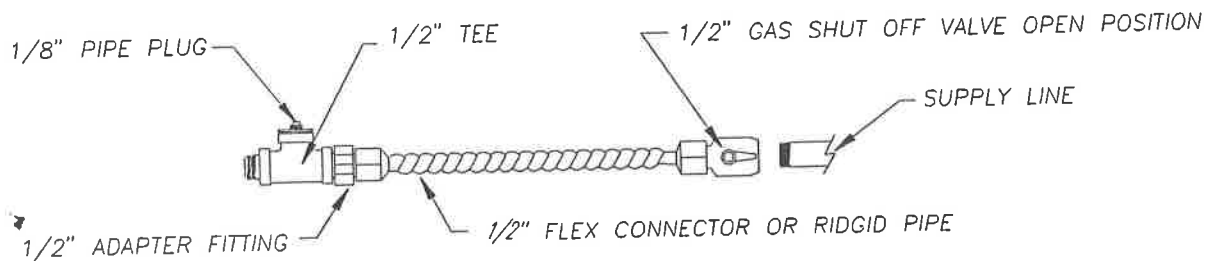
PIPING DETAIL:

NOTE: DO NOT DAMAGE OR KINK THE FLEX CONNECTOR. CHECK FOR GAS LEAKS WITH SOAP AND WATER SOLUTION.

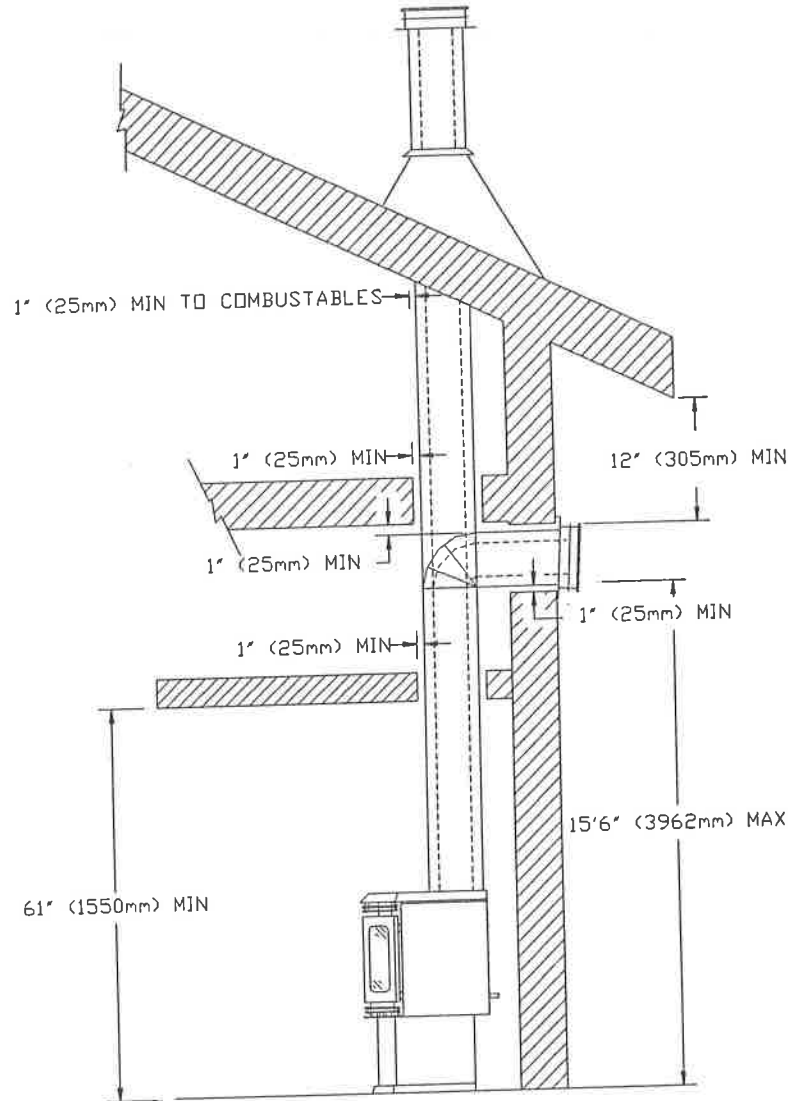
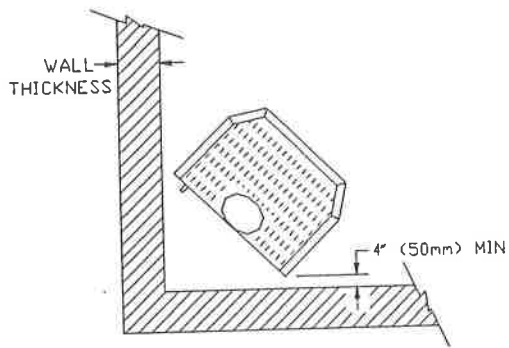
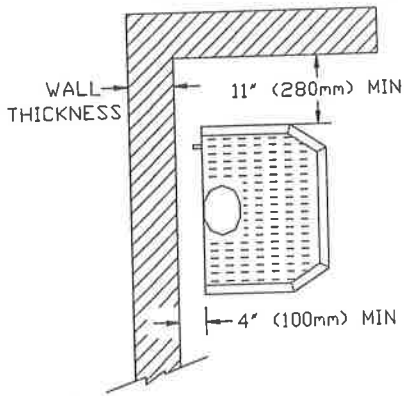
1/2" FLEX OR RIGID PIPING MAY BE USED TO CONNECT GAS SUPPLY TO UNIT DEPENDING ON STATE AND LOCAL CODES.

GAS SUPPLY PRESSURE:

Natural Gas.....7 in. w.c. recommended 4.5/1.12 min./10.5/2.62 max.
LP Gas.....11 in. w.c. recommended 10.5/2.62 min./13/3.2 max.



CLEARANCES FROM COMBUSTIBLE CONSTRUCTION APPLIANCE



MAX RISE WITH VERTICAL TERMINATION 20'
MAX RISE WITH HORIZONTAL TERMINATION 15' 6"

**** SEE FOLLOWING PAGE FOR DETAILS ON INSTALLATION**

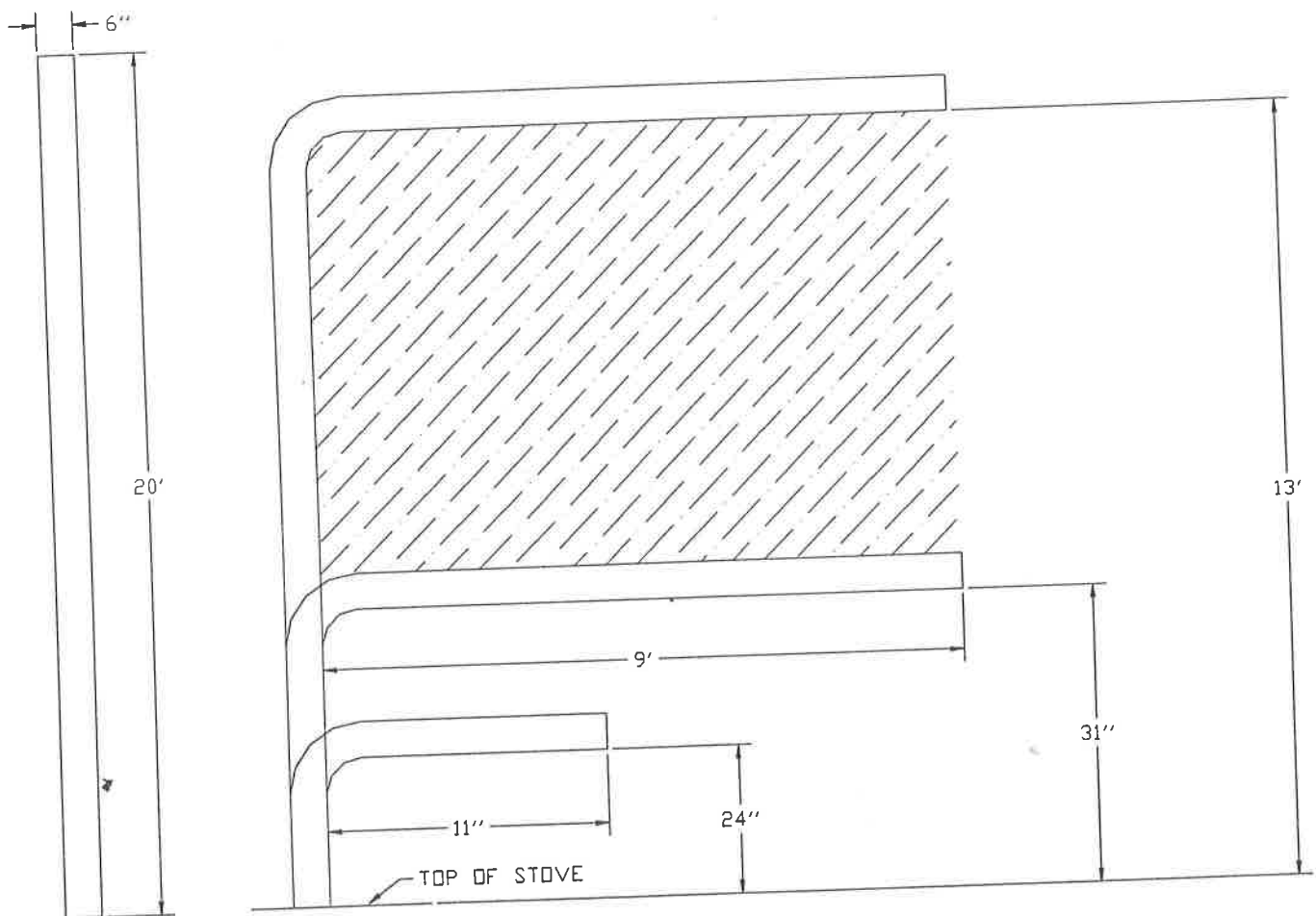
VENT TERMINATION CHART

Note:

The chimney shall be attached directly to the room heater and shall extend at least 3 feet above the part of the roof which it passes through.

The top of the chimney is to be at least 2 feet above the highest required elevation of any part of the roof within 10 feet of the chimney

Chimney system can be installed in a chase one inch clearance must be maintained for combustibles



HORIZONTAL TERMINATION VENT #Z0770H for Pegasus 9401

Prepare 6" pipe for painting by wiping down with straight vinegar. Rinse vinegar off with clean water and allow pipe to dry. Use high temperature paint as directed by manufacturer. Position stove in the desired location. Be sure to maintain structural integrity ceiling joists and/or wall studs. Check for wiring or plumbing in cut areas.

Start by putting a 3/16" bead of RTV Silicone about 1/4" inside plain end of 4" x 2' or 4" x 3' pipe. Slide pipe 1" onto collar of stove, make sure it is straight. DO NOT exceed 1" or the outer section will not be flush. Drill two 9/64" holes through the pipe into the collar.

Put in two 1/2" x #10 square drive screws provided. Repeat with 6" pipe, make sure seam is to the back and top ends of the pipes are even. First put 3/16" bead of black silicone on ring at base of collar. To put pipe on, squeeze into oval shape. Start one side first and rotate onto collar and push straight down. Slide pipe down until it seats in silicone. Install screws. To determine maximum and minimum pipe lengths see chart included.

NOTE: Only Blaze King pipe kits and assemblies can be used to vent this product. 5' vertical assembly #Z0766V must be used after 2' starter section on each 5' vertical rise and is NOT to be used on horizontal runs. Only 5' section #Z0776H, if needed, can be used horizontally. Maintain a 1/4" rise per Horizontal Foot.

If extending through ceiling before elbowing, the framing opening must be 8" x 8" to maintain a 1" clearance to combustible. 8-Z shaped brackets are included in the kit. One must be nailed with 90 degree bends pointing up and down centered in each 8" opening.

If not going through ceiling, install 4" elbow with screws and silicone. Install the 6" elbow in like manner. Cut the 8" round hole through the wall. Be cautious to maintain structural integrity and that no wires or plumbing are in this area. See chart for horizontal distance allowances. Also make sure to maintain 1" clearance to all combustibles. Slide trim collar over pipe before passing through the wall.

Based upon length of horizontal run and using RTV Hi-Temp silicone and securing each section with screws, extend sections of 4" and 6" pipe to 2" beyond farthest point on outside of dwelling.

To install cap, follow assembly instruction included. Slide onto pipe. Make sure pipe comes to top of lip in first screened section of cap. Drill with 9/64" through three holes in cap, through the pipe and fasten with screws provided.

VERTICAL TERMINATION VENT KITS

#Z0770P for Pitched Roof & #Z0770F for Flat Roof

Prepare 6" pipe for painting by wiping pipe down with straight vinegar. Rinse vinegar off with clean water and allow pipe to dry. Position stove in the desired location. Be certain to maintain structural integrity of the ceiling and roof joists. Check for wiring or plumbing in cut areas.

Start by putting a 3/16" bead of RTV silicone about 1/4" inside of the plain end of the 4"x2' pipe. slide the pipe about 1" on to the collar of the stove, making sure it is straight. Do not exceed 1" or the next section will not work. Drill two 9/64" holes through the pipe into collar. (SEE SKETCH)

Put in the two #10x1/2" square drive screw provided. repeat with 6" pipe, making sure the seams to the back and top ends of the 4" & 6" pipes are even, first putting a 3/16" bead of black silicone seal on ring at the base of the collar. To put the pipe on the stove, squeeze the pipe creating an oval shape and starting on one side, rotate onto the collar and push straight down. Slide it down until it seats in the silicone at the base of the collar. Slide the trim ring over the pipe.

To determine maximum and minimum pipe length, see chart. Use as many pipe sections as necessary. Make sure to put the silicone bead on each section of pipe. Drill three 9/16" holes equally spaced around the outer pipe and fasten with the screws provided. Only the 5' pipe section (#Z0766) has a restrictor built in. This restrictor must be used on each 5' section of vertical length, except for the starter section or top section, which can be shorter than 5' and does not require a restrictor. **NOTE:** Only Blaze King pipe sections, #Z0766-5', #Z0765-3' and #Z0765-2' can be used on this appliance.

The frame opening through the ceiling must be 8"x8" to maintain the minimum of 1" to combustibles. Eight Z-shaped brackets are included in the kit and must be nailed with the 90degree bends pointing up and down, in the center of each side of the 8" opening to center the pipe and maintain the 1" clearance to combustibles. SEE SKETCH

Follow the same procedure when passing through the roof.

Install the roof jack and storm collar. The pipe must extend out of the roof at least 3 feet. The top of the chimney is to be at least 2 feet above the highest required elevation of any part of the roof within 10 feet of the chimney.

To install the cap, follow cap assembly instructions included. Slide the cap on to the top of the pipe. Make sure the pipe comes to the top of the lip on the first screened section of cap. Drill three 9/64" holes through cap and pipe. Fastened with the screws provided.

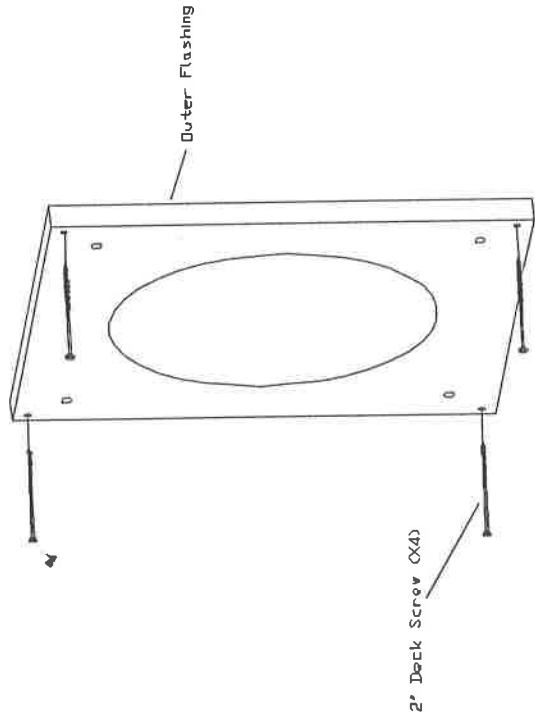
CAP ASSEMBLY INSTRUCTIONS for #Z0762 Pegasus 9401

1. Center the intake screen over the 1/2" lip that protrudes out from the main housing.
2. Using a 300 degree or higher silicone cement, place a 1/4" bead around the 8" inside lip of the main housing. DO NOT cover the drain hole with cement.
3. Slide the main housing over the 8" pipe. The longest side up with the drain hole facing down.
4. Attach the main housing through the flashing to the wall with the appropriate fasteners. Use the outside holes 1/4" from the corners.
5. Lay the center shield on it's side. Slide the two standoffs over the tabs on the down side. the standoffs should extend downward in the same direction as the attached pipe, towards the house.
6. Slide the outer shield over the two standoffs and slide the standoffs over the tabs of the outer shield. The convex side of the outer shield faces the house.
7. Place the 5"x2" exhaust screen between the center and top outer shields.
8. slide the remaining two standoffs through and into the center and outer shields.
9. Using a 300 degree or higher silicone cement, place a 1/4" bead around the inside of the 5" lip of the center shield.
10. Set the assembled section upright with the standoffs extending downward. Position the cap with the 4 holes over the standoffs and insert the 4, #10-32x4.5" stove bolts.
11. Position the assembled section through the intake screen with the 5" pipe over the 5" pipe extending through the wall. Secure the stove bolts into the tinnerman clips in the main housing to complete the assembly.

4

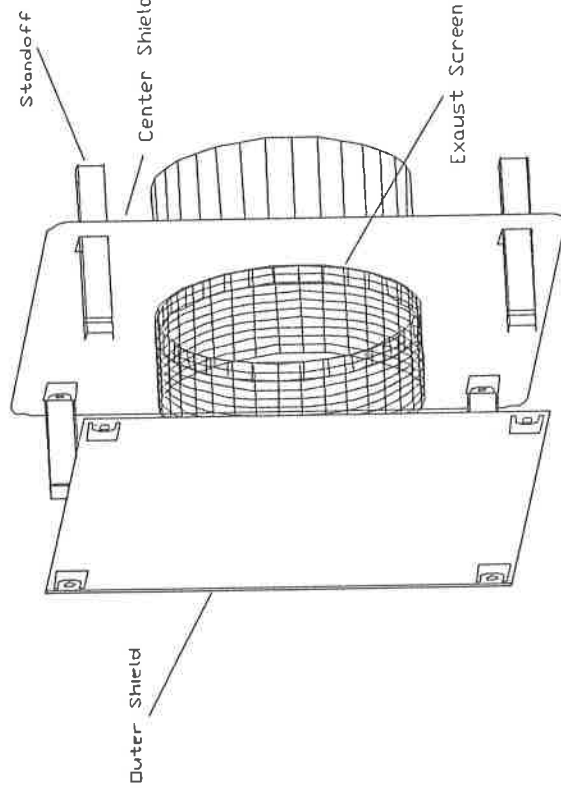
2

1

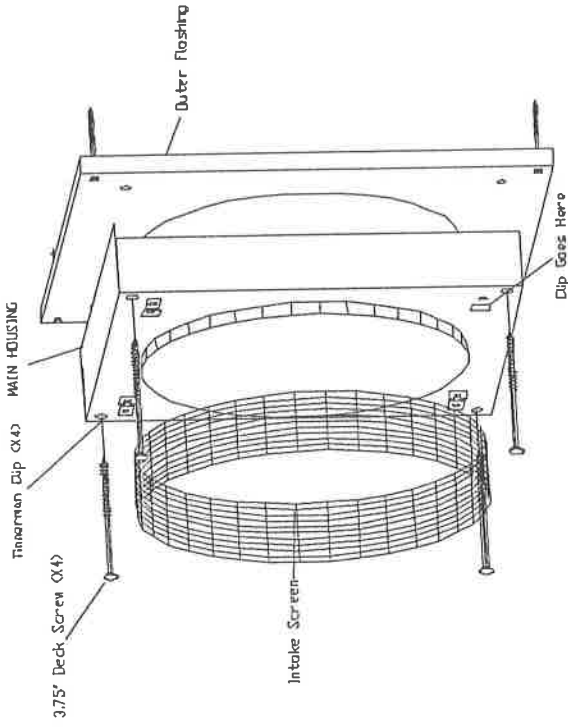


See Step #'s 14, 15

3

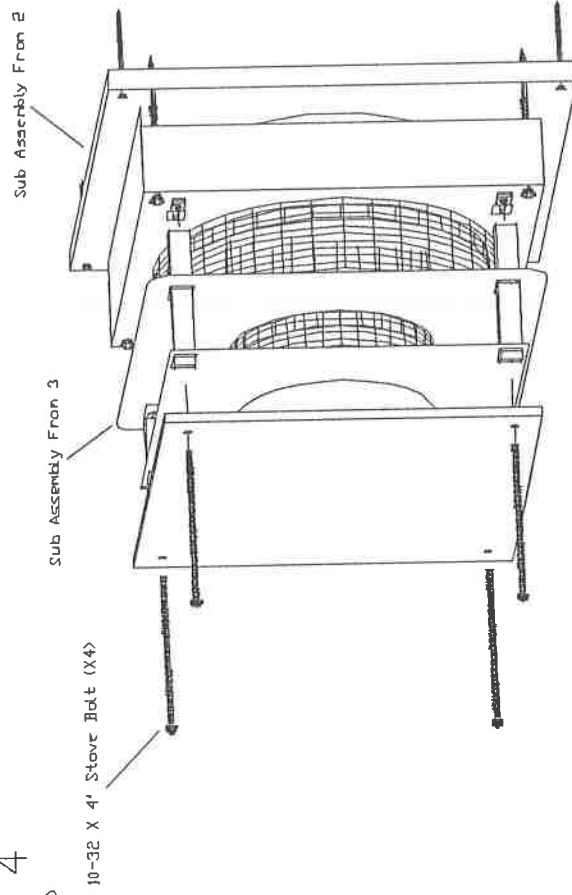


See Step #'s 21, 22, 23, 24, 25



See Step #'s 16, 17, 18, 19, 20

4



See Step #'s 26, 27

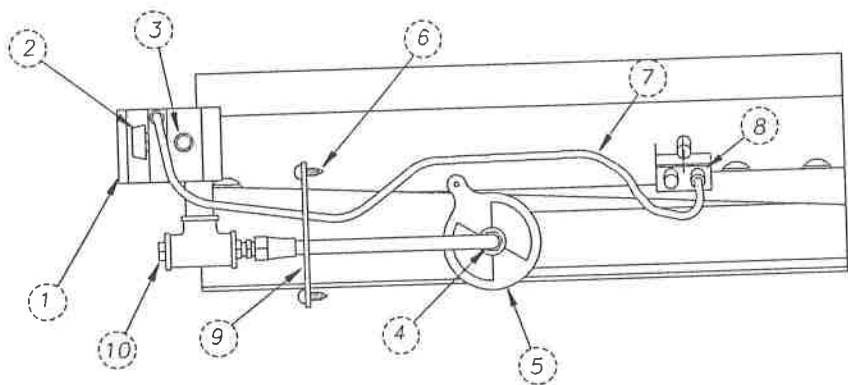
BURNER CONVERSION INSTRUCTIONS to LP or Natural Gas

BLAZE KING RECOMMENDS THIS PROCEDURE BE DONE BY A QUALIFIED SERVICE PERSONNEL

1. Remove the 2 screws holding the regulator plate. Remove regulator and gasket. Position new gasket over pins and install new regulator with notched corner up.
2. Open the front access door.
3. Remove embers and logs.
4. Remove retaining screw in lower center of door.
5. Remove the 2 retaining screws in pilot millivolt assembly.
6. Left front of burn tray and remove through door.
7. Change the main burner orifice by unthreading existing orifice from fitting with 1/2" wrench. Replace with an appropriate orifice. Remove pilot line by unscrewing 1/2" brass fitting. Remove next 7/16th fitting. Remove the pilot orifice. Replace with an appropriate pilot orifice.
8. Reverse steps 1 - 6 to complete conversion.

WARNING: EACH CONNECTION MUST BE INSTRUMENT OR SOAP CHECKED FOR LEAKS WITH GAS PRESSURE ON.

BURNER ASSEMBLY (REAR VIEW)



1. VALVE & REGULATOR
2. NAT. OR LP. REGULATOR PLATE
3. GAS INLET NIPPLE
4. MAIN GAS ORIFICE =
5. PRIMARY AIR SHUTTER
6. VALVE MOUNTING SCREWS
7. PILOT LINE
8. PILOT ORIFICE =
9. MOUNTING PLATE
10. MANIFOLD TESTING ACCESS

HIGH ALTITUDE STATEMENT

This unit has been tested for installations at a high altitude (1370 meter or higher) in accordance with Canadian test standard CAN/CGA-2.17. Higher altitudes effect their atmospheric pressure & heat value of gaseous fuels. When installing this unit at high altitudes, the rated input will be lower than at sea level. The lowered oxygen content in the air and lowered gas density requires installing a different orifice in order to achieve clean combustion of the unit. Consult the unit data plate for proper high altitude orifice size and fill out the information sticker attached to the unit when field converting.

For high altitude installations, consult the local gas distributor or the authority having jurisdiction for proper rating methods.

ORIFICE SIZING TABLE

Equivalent Orifice Sizes at High Altitudes
(Includes 4% input reduction for each 1,000 feet)

Natural Gas Orifice Size Required at Other Elevations

Orifice Size at:

| Sea Level | 2000 | 3000 | 4000 | 5000 | 6000 | 7000 | 8000 | 9000 | 10000 |
|-----------|------|------|------|------|------|------|------|------|-------|
| 32 | 32 | 33 | 33 | 34 | 35 | 35 | 36 | 36 | 37 |

Propane Orifice Size Required at Other Elevations

Orifice Size at:

| Sea Level | 2000 | 3000 | 4000 | 5000 | 6000 | 7000 | 8000 | 9000 | 10000 |
|-----------|------|------|------|------|------|------|------|------|-------|
| 50 | 51 | 51 | 51 | 51 | 52 | 52 | 52 | 53 | 53 |

This chart is based on gas with 1000 BTU Per Cubic Feet.
Check with local gas company on BTU content and correct orifice accordingly.

LIGHTING PREPARATION

FOR YOUR SAFETY - READ BEFORE LIGHTING

WARNING

If you do not follow these instructions exactly, a fire or explosion may result causing property damage or personal injury.

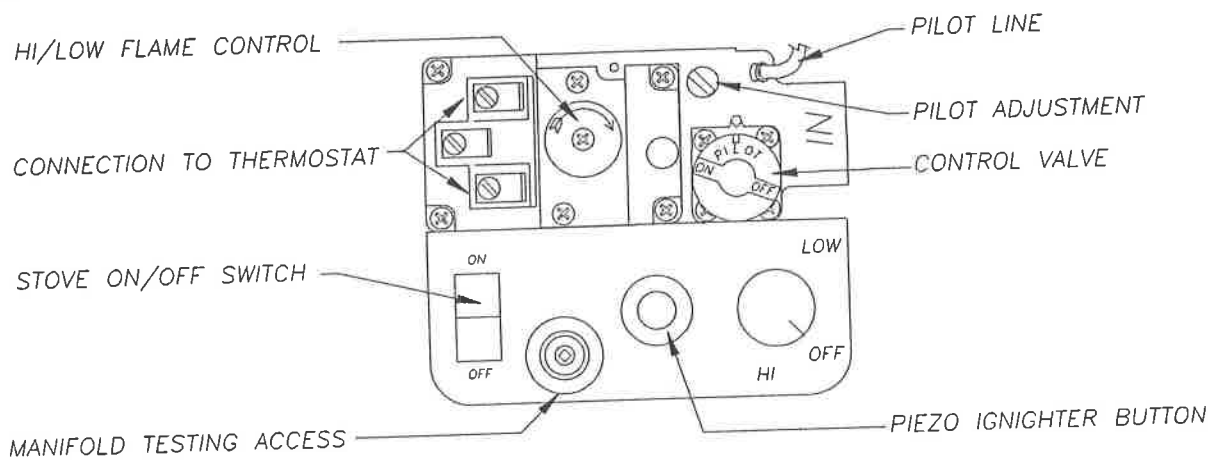
- A. This appliance has a pilot that is lit with a push button Piezo lighter. When lighting the pilot, follow these instructions exactly.
- B. BEFORE LIGHTING smell all around the appliance area for gas. Be sure to smell next to the floor because some gas is heavier than air and will settle on the floor.

WHAT TO DO IF YOU SMELL GAS:

- * OPEN WINDOWS
 - * DO NOT TOUCH ANY ELECTRIC SWITCH; DO NOT USE ANY PHONE IN YOUR BUILDING.
 - * EXTINGUISH ANY OPEN FLAME.
 - * IMMEDIATELY CALL YOUR GAS SUPPLIER FROM AN NEIGHBOR'S PHONE. FOLLOW THE GAS SUPPLIER'S INSTRUCTIONS.
 - * IF YOU CANNOT REACH YOUR GAS SUPPLIER, CALL THE FIRE DEPARTMENT.
- C. Use only your hand push in or turn the gas control knob. Never use tools. If the knob will not push in turn by hand, don't try to repair it, call a qualified service technician. Force or attempted repair may result in a fire or explosion.
- D. Do not use this appliance if any part has been under water. Immediately call a qualified service technician to inspect the appliance and to replace any part of the control system and any gas control which has been under water.

LIGHTING INSTRUCTION

1. **STOP!** Read the safety information above on the previous page.
2. Set the optional wall thermostat to lowest setting, or turn appliance switch to off.
3. Controls are accessed by opening right side door panel.
4. Turn the rocker switch to "OFF".
5. Push in the gas control knob slightly and turn clockwise to "OFF".



NOTE: The knob cannot be turned from "PILOT" to "OFF" unless the knob is pushed in slightly. **DO NOT FORCE.**

6. Wait five (5) minutes to clear out any gas. If you then smell gas **STOP!** follow "B" in the safety information on the previous page. If you don't smell gas, go to the next step.
7. Turn Control Knob counter clockwise to "Pilot" position.
8. Depress control knob and push in the Piezo ignite button. Once pilot ignites, continue to hold the control knob in for about one (1) minute after the pilot is lit. Release the knob and it will pop back up. Pilot should remain lit. If it goes out, repeat step (8).

- * If the knob does not pop up when released, stop and immediately call your service technician or gas supplier.
- * If the pilot will not stay lit after several tries, turn the gas control knob to "OFF" and call your service technician or gas supplier.

9. Turn the gas control knob counter clockwise to "ON". Turn on all electric power to the appliance. Set the thermostat to desired setting.

TO TURN OFF GAS APPLIANCE:

1. Set the thermostat to lowest setting.
2. Turn off all electric power to the appliance if a service is to be performed.
3. Push in gas the control knob slightly and turn clockwise to "OFF". **DO NOT FORCE.**

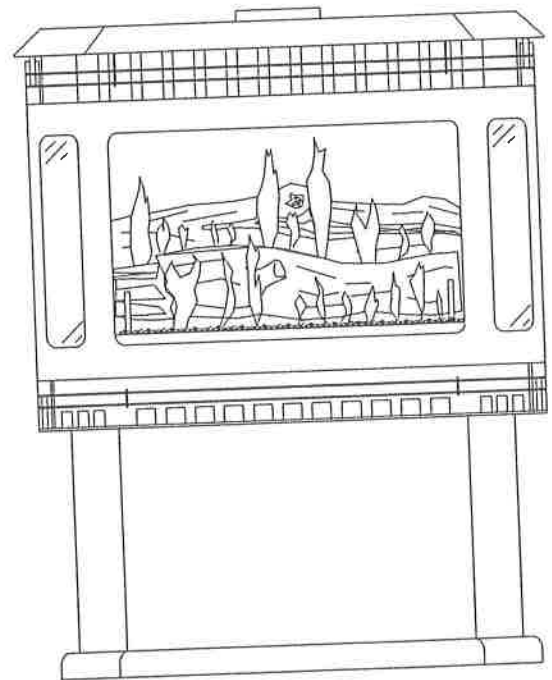
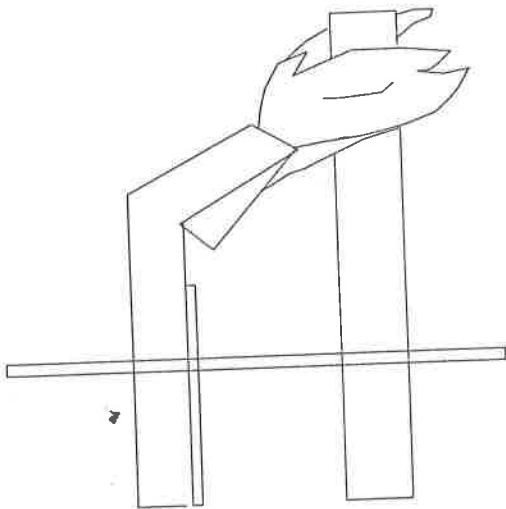
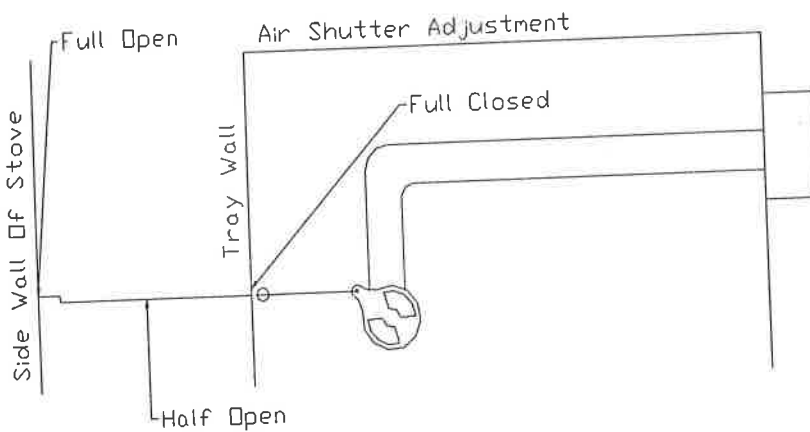
GAS FLAME ADJUSTMENT

To adjust the flame so it has the proper shape and color without making soot on the glass or logs.

The primary air shutter should be set approximately **1/2 open for Natural Gas** and approximately **Full open for LP Gas**.

Adjust the open shutter until the flame turns blue, then close the shutter until a soft red flames is obtained. The shutter is spring loaded so it will stay in that position.

If this makes soot on either the logs or glass, the setting must be opened gradually until the glass and logs stay clean.

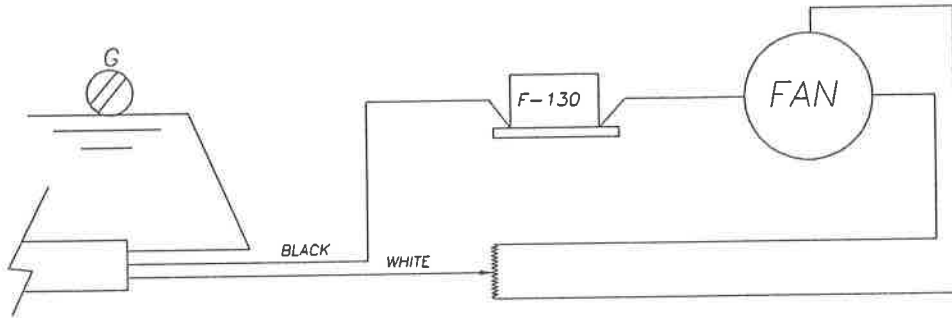


The pilot flame must envelope approximately 1/2 of the Millivolt Generator. It must burn clean. All parts must be lit. If there are any problems, contact your serviceman.

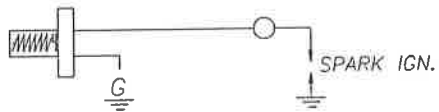
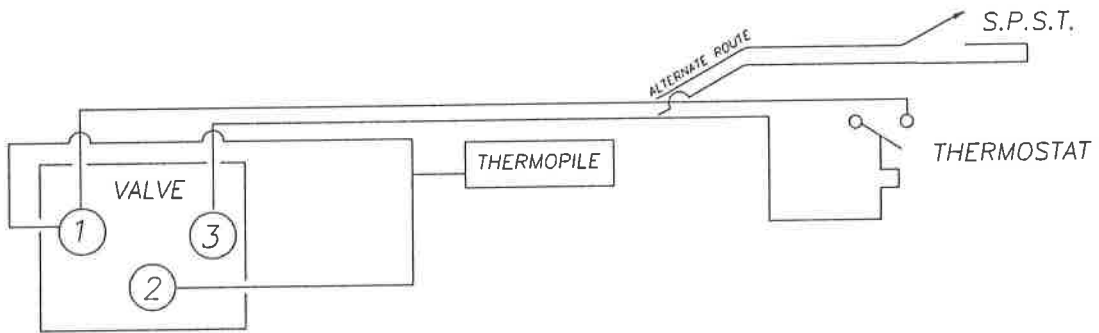
Periodically checking the flame pattern is necessary. The flame should look approximately like the picture. The base of the flame must not rise above the burner plate.

WIRING DIAGRAM

A C



MILLIVOLT



REPLACEMENT PARTS LIST

| <u>PART NAME:</u> | <u>PART #:</u> | <u>PART NAME:</u> | <u>PART #:</u> |
|------------------------|---------------------------|--------------------------|----------------|
| 1. Gas Valve | 0718A | 10. Fiber Embers | 0745 |
| 2. Fan | <i>metal.</i> Z7013 27005 | 11. 80" Door Rope | 0185 |
| 3. PG9 Pilot | 0721 | 12. Power Cord | Z7015 |
| 4. On/Off Switch | 0725 | 13. F130 Snap Disc | 1144AA |
| 5. Rheostat | Z7078 | 14. Door Assembly | Z7030 |
| 6. Front Log | 0819 | 15. Front Decor | Z7052 |
| 7. Back Log | 0818 | 16. Wood Base | 0788 |
| 8. Push Button Igniter | 0737 | 17. Lower Heat Exchanger | 9062 |
| 9. Electrode | 0738 | 18. Rear Heat Exchanger | 9461 |

**** MUST USE DOOR ASSEMBLY THAT WAS CERTIFIED WITH THE APPLIANCE**

The Door Assembly shall be replaced as a complete unit as supplied by the manufacture. Replacement can be accomplished by unlatching the door and lifting it up off the hinge pins. To Replace, set the door on the hinge pins, close the door, and adjust the latch.

NOT PICTURED:

| <u>PART NAME:</u> | <u>PART #:</u> | <u>PART NAME:</u> | <u>PART #:</u> |
|----------------------------|----------------|-------------------------------|----------------|
| 19. Gas Orifice | 0722B | 23. Wall Thermostat | 0736 |
| 20. 7/16 I.D. X 1/2 Spring | 0723 | 24. Pressure Reg. Natural Gas | 0747 |
| 21. Door Latch | 0733 | 25. Trim Mounting Bracket | 9031 |

Call your local **BLAZE KING** dealer or contact **BLAZE KING INDUSTRIES.**

B.K.I INC.
P.O. BOX 367
COLLEGE PLACE, WASHINGTON 99324
(509) 522-2730

CAUTIONS:

1. Do not use substitute materials.
2. Do not abuse the glass door such as striking or slamming shut.
3. Do not operate the stove with a broken glass door.
4. Do not use abrasive cleaners to clean glass.

