

**OWNER'S
INSTALLATION AND
OPERATION INSTRUCTIONS**

SAVE THESE INSTRUCTIONS

**Blaze King
WOODSTOVES**

**BLAZE KING PELLET STOVE
Model PEL-5000**

OM-19A
10-28-91

Manufactured by:

Blaze King Industries
400 W. Whitman Drive
College Place, WA 99324
(509) 522-2730

Copyright ©1991 Blaze King Industries

**BLAZE KING
PELLET STOVE
MODEL PEL-5000
OWNER'S INSTALLATION AND OPERATIONS MANUAL**

SAFETY NOTICE

IF THE BLAZE KING PELLET STOVE IS NOT PROPERLY INSTALLED, A HOUSE FIRE MAY RESULT. FOR YOUR SAFETY, FOLLOW THE INSTALLATION DIRECTIONS. CONTACT LOCAL BUILDING OR FIRE OFFICIALS ABOUT RESTRICTIONS AND INSTALLATION INSPECTION REQUIREMENTS IN YOUR AREA.

THIS STOVE MUST BE CONNECTED TO A LISTED PELLET VENTING SYSTEM, EXISTING MASONRY OR MANUFACTURED CHIMNEY.

WARNING

IMPROPER ASSEMBLY, INSTALLATION, MAINTENANCE OR OPERATION OF THIS APPLIANCE CAN CAUSE DAMAGE TO PROPERTY, SERIOUS INJURY OR DEATH.

READ THESE INSTRUCTIONS.

Dear Customer:

Thank you for purchasing a BLAZE KING Pellet Stove. In addition to being some of the most attractive and reliable units on the market, this pellet stove also offers the most carefree operation.

This owner's manual explains the steps required to safely install, operate and maintain your new BLAZE KING Pellet Stove (hereafter referred to as the "stove"). Be a responsible stove owner: Carefully read these requirements for safe installation and proper operation BEFORE installing and using your stove. Once it's installed, remember that it requires periodic maintenance to continue to operate safely and efficiently, as does any heating system.

Obtain permits from the building inspector or fire department, if local laws require. Check local building and fire codes before installing your stove. When you have completed the installation, have it checked by your local inspector. Disregarding inspection and code requirements may jeopardize your homeowner's insurance. Since some insurance carriers require notification of a stove installation, contact your insurance agent. We want your pellet stove to give you a lifetime of trouble-free operation.

While we have made every effort to make these instructions as complete as possible, some installation or operating conditions may not be covered. If you have any questions that are not answered here, contact your BLAZE KING dealer, local building inspector, fire department or our customer service department at BLAZE KING, (509) 522-2730.

The Management and Employees of
BLAZE KING

SECTION 1 — TABLE OF CONTENTS

| | |
|--|----|
| SECTION 1 — TABLE OF CONTENTS | 4 |
| SECTION 2 — WARRANTY | 6 |
| Disclaimer of Warranties and Limitation of Liability | 6 |
| Other Legal Rights of the Purchaser | 6 |
| SECTION 3 — DEFINITIONS | 7 |
| Alcove | 7 |
| Auger | 7 |
| Chimney Connector | 7 |
| Combustible Material | 7 |
| Combustion Air Inlet | 7 |
| Door, Viewing | 8 |
| Floor Protector | 8 |
| Fuel | 8 |
| Lid, Pellet Hopper | 9 |
| Listed | 9 |
| Mobile Home | 9 |
| Thimble | 9 |
| Vent | 9 |
| SECTION 4 — SAFETY | 10 |
| Venting System Fire | 10 |
| Smoke Detectors | 10 |
| Fire Extinguisher | 11 |
| Building and Fire Codes, Permits and Inspections | 11 |
| Children | 11 |
| Clearances to Combustible Materials | 11 |
| Fuel | 11 |
| Electrical Power | 12 |
| Disposal of Ashes | 12 |
| Chimneys | 12 |
| Soot and Fly Ash | 12 |
| Viewing Door | 13 |
| SECTION 5 — SPECIFICATIONS | 14 |
| SECTION 6 — INSTALLATION PREPARATION | 16 |
| Listing | 16 |
| Product Inspection | 16 |
| Tools Needed for Installation | 17 |
| Installation Options | 17 |
| Planning for Your Stove Placement | 18 |
| Floor Protection | 18 |
| Clearances to Combustibles | 19 |
| General Installation Notes | 22 |
| Mobile Home Installation Notes | 22 |

| | |
|---|----|
| SECTION 7 — ASSEMBLY AND INSTALLATION | 24 |
| SECTION 8 — OPERATION | 34 |
| Lighting | 34 |
| Control Switch Settings | 35 |
| SECTION 9 — MAINTENANCE | 36 |
| Once Each Week | 36 |
| Once Each Month | 36 |
| Creosote | 36 |
| Fly Ash | 37 |
| Maintaining Gaskets | 37 |
| Replacement of Dook Gasket | 38 |
| Cleaning Viewing Door Glass | 38 |
| Door Glass, Replacement | 38 |

SECTION 2 — WARRANTY

BLAZE KING offers a five-year limited stove warranty. A copy of this warranty is packaged with the stove.

To register your warranty, fill out and return the warranty registration card included with this stove. You will find the model number and serial number on the tag on the stove's pellet hopper lid. If the warranty card is missing, you can obtain one from your local dealer.

DISCLAIMER OF WARRANTIES AND LIMITATION OF LIABILITY

THERE ARE NO UNDERSTANDINGS, AGREEMENTS, REPRESENTATIONS OR WARRANTIES, EXPRESSED OR IMPLIED, INCLUDING WARRANTIES OF MERCHANTABILITY OR FITNESS FOR A PARTICULAR PURPOSE, OTHER THAN THOSE SPECIFICALLY SET OUT BY THE "BLAZE KING LIMITED WARRANTY." THIS WARRANTY STATES THE ENTIRE OBLIGATION OF THE MANUFACTURER AND SELLER. THE CONTENTS OF THIS DOCUMENT SHALL NOT BECOME PART OF, OR MODIFY, THIS WARRANTY.

The information, recommendations, descriptions and safety notations in this document are based on BLAZE KING's judgment and experience regarding pellet stoves. THIS INFORMATION SHOULD NOT BE CONSIDERED TO BE ALL-INCLUSIVE OR COVERING ALL CONTINGENCIES. In no event will BLAZE KING be responsible to the user in contract, in tort (including negligence), strict liability or otherwise for any special, indirect, incidental or consequential damage or loss whatsoever resulting from the use of the information, recommendations, descriptions and safety notations contained herein. If further information is required, consult your local building or fire officials, your BLAZE KING dealer or BLAZE KING.

OTHER LEGAL RIGHTS OF THE PURCHASER. This warranty gives you specific legal rights, and you may also have other rights which may vary from state to state. If you do not agree to the purchase of the pellet stove on the terms and conditions set out in this warranty, then you must return the pellet stove to the dealer prior to use or installation, and the purchase price will be refunded.

SECTION 3 — DEFINITIONS

ALCOVE

For the purpose of this manual, an alcove is defined as a recess or partly enclosed extension connected to, or forming part of, a room. It may be on either an interior or exterior wall. The minimum dimensions for an alcove in which this stove may be installed are 39 inches (99.06 cm) wide, 54 inches (137.16 cm) from the top of the floor protector to the ceiling and 17 inches (43.18 cm) deep.

AUGER

The auger, which turns at a constant speed, delivers a metered amount of pellet fuel to the fire pot. The auger does not turn at all times—its periodic operation is controlled by the fuel feed selector knob on the top of the stove.

CHIMNEY

One or more passageways, vertical or nearly so, for sending flue gases (smoke) to the outside atmosphere. There are two common types of chimneys:

1. **Listed Residential Type and Building Heating Appliance Type Chimney:** A chimney composed of listed factory-built components assembled in accordance with the terms of listing to form the completed chimney.
2. **Masonry Chimney:** A field-constructed chimney of solid masonry units, bricks, stones, listed masonry chimney units or reinforced concrete, lined with suitable flue liners built in accordance with applicable building code requirements.

Never vent your pellet stove into a "Class B" gas vent chimney. Use only listed "L" vent pellet pipe.

CHIMNEY CONNECTOR

Also known as stove pipe. The use of chimney connector is not allowed in BLAZE KING pellet stove installations.

COMBUSTIBLE MATERIAL

Material made of or surfaced with wood, compressed paper, plant fibers, plastics or other materials that will ignite and burn, whether flameproof or not, or whether plastered or unplastered.

COMBUSTION AIR INLET

In tight contemporary homes, using outside combustion air is generally desirable. BLAZE KING pellet stoves are designed to use outside air. The combustion air inlet is located on the back of the stove. Combustion air is drawn from outside the house into this opening, then through the control box and into the firebox.

DOOR, VIEWING

The door on the front of the stove, with viewing glass installed. This door must be closed and latched tightly whenever the fire is burning. When cleaning the stove, wait one-half hour after the fire is out or until the stove is sufficiently cooled before opening the viewing door.

FLOOR PROTECTOR

Noncombustible material set on the floor area underneath the stove and extending in front, to the sides and to the rear of the stove. For the BLAZE KING pellet stoves, use any non-combustible material or a Listed Floor Protector. Floor protector must extend 2 inches (5 cm) on each side of stove base, 12 inches (30.5 cm) in front of stove base, and to the wall behind stove. When the listed pellet vent does not extend back through the rear wall behind the stove, but goes another direction (up, down or sideways) the floor protector must extend to the wall under the venting system and must extend 2 inches (5.08 cm) beyond each side of the venting system. Read the installation instructions.

FUEL

Pellet fuel for your BLAZE KING stove should meet or exceed APFI standard APFI-PF 1-88. In addition, the pellets should be no larger than 5/16 inch (0.8 cm) in diameter and 1 inch (2.54 cm) long. Larger pellets will not feed properly and may jam the auger. The pellet fuel should contain at least 97% wood or bark, and not more than 1% noncombustible ash content. Use of pellets with a higher ash content will require more frequent cleaning of the combustion chamber and venting system, and may void the stove's warranty.

Pellets containing more additives will produce more heat (BTU/hour). Some pellet manufacturers add binders which increase the pellets' hardness and ease the manufacturing process. Pellet fuel which includes fine, loose material will not burn as cleanly. If you use such fuel, you may need to clean the combustion chamber and venting system more frequently. Consider screening the pellet fuel to eliminate most of the loose material.

Pellet fuel used in this stove **MUST BE DRY**. Damp or wet pellets will break, compact, burn poorly or not at all, and may jam the auger.

Contact your dealer for recommended pellet fuel brands.

FIRE EXTINGUISHER

Every home should have at least one fire extinguisher. An approved "Class A-B-C" extinguisher should be mounted on the wall, near an exit and close to the stove—but not so close that accessibility to the extinguisher could be blocked by a fire. Your local fire department can advise you concerning the most appropriate location.

BUILDING AND FIRE CODES, PERMITS AND INSPECTIONS

The installation of this stove must comply with your local building and fire codes. Always contact your local building inspector and/or fire department before beginning the installation process. If required, obtain a permit before installation and have the completed installation inspected. Noncompliance with building and/or fire codes may jeopardize your homeowner's insurance.

CHILDREN

Do not allow children to play near the stove or with the operating knobs. Severe burns may be inflicted by touching the front, sides or top of the stove and by opening the viewing door. Train children to stay away from the stove, and never leave children unattended in the room when the stove is in operation.

CLEARANCES TO COMBUSTIBLE MATERIALS

For a safe installation, proper clearances to combustible materials must be observed (see pages 19 to 21). Failure to follow these guidelines voids the certification and warranty; is illegal; and can result in a fire causing property damage, injury or death. Keep combustible (burnable) materials at least as far away from the stove as the tables on pages 19 through 21 indicate. Combustible materials include items such as plasterboard or wood-paneled walls, furniture, wooden mantels, bookshelves, carpets and drapes. Pellet fuel should not be stored within the specified distances.

FUEL

CAUTION

THIS PELLET STOVE IS FOR USE WITH SOLID WOOD PELLET FUEL ONLY. DO NOT USE PELLETS THAT HAVE BEEN EXPOSED TO MOISTURE. DO NOT USE GASOLINE, GASOLINE-TYPE LANTERN FUEL, KEROSENE, CHARCOAL LIGHTER FLUID OR SIMILAR LIQUIDS TO START OR "FRESHEN UP" A FIRE IN THIS APPLIANCE. KEEP FLAMMABLE LIQUIDS WELL AWAY FROM THIS APPLIANCE WHILE IT IS IN USE.

Do not burn cordwood in the pellet stove. Do not burn materials soaked in flammable liquids, trash, garbage, artificial or paper logs, plastics, gift wrappings, coal, charcoal, naphtha, engine oil, chemical cleaners, chemical fire starters, treated or painted wood, saltwater driftwood, railroad ties, plywood, particle board. Do not burn sawdust, wood shavings or chips in this woodstove.

When selecting pellet fuel for the BLAZE KING pellet stove, purchase only wood pellet fuel that is absolutely dry. Fuel must have less than 1% bark/ash content, be no larger than 5/16 inch (0.8 cm) diameter and 1 inch (2.54 cm) long. Use of pellets with more than 1% bark/ash, will increase maintenance frequency, lower heat output and make more ash and pollution. In addition, use of low-grade pellets may void the stove warranty. Always store pellets off the ground and under cover. Damp or wet pellets may cause the auger system to jam, and may void the warranty.

CAUTION

DO NOT PLACE PELLET FUEL WITHIN THE STOVE'S MINIMUM CLEARANCES TO COMBUSTIBLE MATERIALS OR WITHIN THE SPACE REQUIRED FOR LOADING AND ASH REMOVAL.

ELECTRICAL POWER

Connect this unit to a properly grounded 110-volt electrical outlet. Do not route the power cord in front of, or under, the stove.

DISPOSAL OF ASHES

Ashes should be removed from the stove only when the stove is cold. Ashes should be placed in a metal container with a tight-fitting lid. The closed container of ashes should be placed on a noncombustible floor or on the ground, well away from all combustible materials, pending final disposal. The ashes should be retained in the closed container until all cinders have thoroughly cooled. Ashes should never be placed in wooden or plastic containers, or in paper or plastic bags, no matter how long the fire has been out. Coals have been known to stay hot for several days when embedded in ashes. If the ashes are disposed of by burial in soil or otherwise locally dispersed, they should be retained in the closed container until all cinders have thoroughly cooled. Do not store other waste in the ash container.

WARNING

REMOVE ASHES ONLY WHEN THEY ARE COLD. NEVER STORE HOT ASHES IN A GARAGE OR BASEMENT. HOT ASHES WILL GENERATE CARBON MONOXIDE AND/OR FLAMMABLE GASES. THESE GASES MAY CAUSE SUFFOCATION.

CHIMNEYS

Do not vent this appliance into a flue serving any other appliance. Do not vent this appliance into a "Class B" gas vent chimney. This appliance is listed by Warnock Hersey International, Inc., only when vented through a listed 3-inch diameter, pellet vent piping system. See Section 7 for venting information.

The pellet venting system may get extremely hot during use. Temperatures inside the venting system may exceed 2000 degrees Fahrenheit in the event of a venting system fire. To protect against the possibility of a house fire, the venting system must be properly installed and maintained. A thimble must be used when a connection is made through a combustible wall or ceiling.

SOOT AND FLY ASH

The products of combustion will contain small particles of fly ash. The fly ash will collect in the exhaust vent and restrict the flow of the flue gases.

Incomplete combustion, such as occurs during start-up, shutdown or incorrect operation of the stove will lead to some soot formation which will collect in the exhaust vent. The exhaust vent should be inspected at least once every year to determine if cleaning is necessary.

VIEWING DOOR

Do not operate your stove with the viewing door open. This stove is not designed or intended to be operated with the viewing door open. Do not leave your stove unattended when the door is not tightly closed. Leaving the door open AFTER the fire is well started will cause excessive smoke spillage into your home. This stove has a safety feature which disables the pellet feed while the door is open.

CAUTION

Do not operate your stove if the glass is broken.

Check the viewing door gasket for deterioration at least twice each heating season. If replacement is required, refer to the instruction on page 38.

WARNING

DO NOT SLAM OR STRIKE THE DOOR IN ANY WAY THAT MIGHT CAUSE THE GLASS TO BREAK. DO NOT USE ANY METAL OBJECTS TO CLEAN THE GLASS. REFER TO GLASS CLEANING INSTRUCTIONS ON PAGE 38.

SECTION 5 — SPECIFICATIONS

Tested to and complies with: UL 1482 / APFI / ULC S627 / CSA B366.2

Listed by Warnock Hersey International, Inc.

This pellet-burning appliance has been tested and listed for use in manufactured homes in accordance with Oregon administrative rule 814-23-900 through 814-23-909.

This stove is exempt from E.P.A. certification under 40 CFR 60.531
By definition ("WOOD HEATER (a) AIR-TO-FUEL RATIO")

GRAM PARTICULATE EMISSION: .3 grams (as tested by Warnock Hersey during exempt test using E.P.A. method 5G-3)

| | |
|---|------------------------------|
| Maximum Heat Output | 33,000 BTU |
| Minimum Heat Output | 3,300 BTU |
| Fuel Capacity (approximate) | 65 lbs. (29 kg) |
| Maximum Pellet Size (diameter x length) | 5/16" x 1" (0.8 cm x 2.5 cm) |
| Total Weight (approximate) | 200 lbs. (91 kg) |
| Width | 25" (63.5 cm) |
| Depth | 27" (68.6 cm) |
| Height | 33.5" (85.1 cm) |
| Circulating Fans | 108 CFM |
| Minimum Chimney Length | 6' vertical (182.9 cm) |
| Venting System | 3" listed "L" vent |

1. Duravent Model PL-Vent
Simpson Dura-Vent
P.O. Box 1510
Vacaville, CA 95688
(707) 446-1786 or (800) 227-8846

2. James A. Ryder MFG Model PL-Vent
Ryder Mfg., Inc.
241 Arvin Avenue
Stoney Creek, Ontario CANADA
(416) 662-1701

See manufacturer's installation instructions for precautions required for passing vent through a combustible wall or ceiling. Do not connect this appliance to a vent serving another appliance.

Ceramic Door Glass 5 mm Pyroceram
Blaze King part no. 0257CBK 9" x 14 3/4"

SECTION 6 — INSTALLATION PREPARATION

WARNING

IMPROPER ASSEMBLY AND/OR INSTALLATION OF YOUR BLAZE KING PELLET STOVE, OR FAILURE TO OPERATE IT ACCORDING TO THE GUIDELINES DETAILED IN THESE INSTRUCTIONS, WILL VOID THE STOVE WARRANTY, CAN CAUSE A HOUSE OR CHIMNEY FIRE, AND MAY ENDANGER YOUR FAMILY. FOR YOUR SAFETY, FOLLOW THE ASSEMBLY AND INSTALLATION INSTRUCTIONS CAREFULLY. CONTACT LOCAL BUILDING OR FIRE OFFICIALS ABOUT RESTRICTIONS AND INSTALLATION INSPECTION IN YOUR AREA.

LISTING

BLAZE KING Model 5000 pellet stove is listed by Warnock Hersey International, Inc. The Warnock Hersey listing applies ONLY if: it is connected to a listed pellet stove venting system of the proper diameter; the venting system does not exceed the parameters described in this section regarding length, height and direction; only dry pellet fuel of accepted quality is used; and minimum clearances to combustible (burnable) materials are observed. (See pages 19 to 21 for minimum clearances.)

DO NOT CONNECT THIS UNIT TO A CHIMNEY FLUE SERVING ANOTHER APPLIANCE.

WARRANTY CARD

IF YOU HAVE NOT ALREADY DONE SO, PLEASE TAKE A FEW MINUTES TO COMPLETE THE WARRANTY CARD FOUND IN THE FIREBOX AND MAIL IT TODAY.

PRODUCT INSPECTION

Remove any items packed in the firebox. BLAZE KING stoves are known for their quality materials and construction. However, no one is perfect and mistakes occasionally occur. Inspect all parts for damage due to shipping and to be sure that all needed parts are enclosed. If you discover a part is missing or damaged, contact your dealer immediately for replacement or repair. Be prepared to give the dealer the model and serial number on your stove—both are found on the tag on the pellet hopper lid.

The stove and related components are packed in two boxes, the contents of which are listed below.

| Quantity | Item |
|----------|------------------------|
| 1 | Owner's manual |
| 1 | Trouble-shooting guide |
| 1 | Warranty card |
| 1 | Stove |
| 1 | Base |
| 1 | Hardware package |

TOOLS NEEDED FOR INSTALLATION

If you are planning to install this stove yourself, you will need at least the tools listed below. Other tools may make the installation easier. Consult the manufacturer's installation instructions for tools needed when installing the thimbles and venting system.

- a. Hammer
- b. Screwdriver, flat blade
- c. Screwdriver, Phillips
- d. Electric drill
- e. Carpenter's square
- f. Carpenter's level
- g. Tape measure
- h. Saw—manual keyhole saw will work, but an electric jigsaw will make the job easier.
- i. 7/16-inch wrench, or socket with handle
- j. 11/32-inch wrench
- k. 1/8-inch Allen wrench

INSTALLATION OPTIONS

Floor protector. Under stove and extending 2 inches (5 cm) each side, 12 inches (30.5 cm) in front and to walls behind stove.

3-inch pellet vent. Straight sections of various lengths, 45- and 90-degree elbows as needed.

3-inch pellet vent tee.

Pellet vent thimble. One will be needed to pass through the exterior wall; or if going through the ceiling, a fire stop with 3-inch clearance will be needed.

2-inch automobile exhaust pipe for long, straight sections. Multiple sections of adequate length can be purchased from a muffler shop. If more than one piece is used, one must be flared at each joint so they can be connected. (See pages 28 to 31.)

Sheet-metal screws. At least two screws for each exhaust pipe joint and two for each "L" vent joint.

Red RTV 600-degree silicone. Quantity depends on number of joints. Can be purchased from an auto supply store.

Aluminum self-adhesive tape. Length sufficient for sealing each vent pipe joint inside residence. Use Polyken #237-2" or equivalent. Can be purchased from your BLAZE KING dealer.

PLANNING FOR YOUR STOVE PLACEMENT

Consider the role of your new BLAZE KING pellet stove in the total heating plan of your home. If your goal is to provide 70% to 100% of the total heat needs of your home, then place the stove in an open, central location.

If your stove will be used as a secondary heat source, a more remote placement is acceptable.

If you have a forced-air heating system, you can use the existing ducts and furnace fan to circulate air throughout the home. DO NOT connect the stove directly to the heating-system ducts or any other air-distribution ducts. Place the stove near a cold-air return duct.

Consider safety, convenience and traffic flow. The fact that the stove will need to be vented to the outside should be a primary consideration.

Also consider the need for electrical power supply. Do not place the electrical power cord in front of, or under, the stove.

Review pages 19 to 21 for MINIMUM clearances. Allow space for the floor protector. Keep furniture, drapes, curtains, wood, paper and other combustibles far away from the stove.

Never install the stove in locations where gasoline, kerosene, charcoal lighter or any other flammable liquids are used or stored.

FLOOR PROTECTION

Floor protection material can be any non-combustible material or Listed Floor Protector. This floor protector covers the floor area underneath the stove and extends in front, to the sides and to the rear of the stove. The floor protector must extend 2 inches (5.08 cm) on each side of the stove base, 12 inches (30.48 cm) in front of the stove base and to the wall behind the stove.

When the listed pellet vent pipe does not extend back through the rear wall behind the stove, but goes another direction (up, down or sideways), the floor protector must extend to the wall under the venting system and must extend 2 inches (5.08 cm) beyond each side of the venting system.

WARNING

FAILURE TO ALLOW THE REQUIRED CLEARANCES TO COMBUSTIBLE MATERIALS OR TO PROVIDE ADEQUATE FLOOR PROTECTION CAN CAUSE A HOUSE FIRE. SUCH A FIRE CAN RESULT IN DAMAGE TO PROPERTY AND SERIOUS INJURY OR DEATH.

CLEARANCES TO COMBUSTIBLES

Clearances are measured from the edge of the stove base.

The sides of this BLAZE KING pellet stove may not be placed closer than 10 inches (25.4 cm) to any combustible material. In an alcove installation, if a wall is no more than 17 inches (43.2 cm) long, the minimum distance from that wall to the side of the stove is 4 inches (10.2 cm) instead of 10 inches.

The back may not be placed closer than 4 inches (10.2 cm) to any combustible material.

Minimum clearances to noncombustible materials are the same as the clearances to combustible materials mentioned in the preceding paragraph. The heat production capabilities and safety of this appliance depend on having free air space on all sides. Do not place it closer than the allowed clearances to any wall.

The listed pellet vent pipe system may not be placed closer than 3 inches (7.62 cm) to any combustible material. Due to the required 3-inch vent clearance, some installations (corners, for instance) may require that the stove be farther than 4 inches (10.16 cm) from combustibles. Do not place any combustible (including fuel) closer than 10 inches (25.4 cm) to the stove's sides or 4 inches (10.16 cm) to the stove's back.

Combustible materials include material made of or surfaced with wood, compressed paper, plant fibers, plastics, or other materials that will ignite and burn, whether flame-proofed or not, or whether plastered or unplastered.

SEE DRAWINGS FOLLOWING THIS SECTION FOR REFERENCE TO THE DIMENSIONS LISTED.

CLEARANCE TO COMBUSTIBLES RESIDENTIAL AND MOBILE HOMES

INTERIOR VERTICAL FLUE INSTALLATION

| | | |
|---|---------------------------|---------------|
| A | side wall to unit | 10" (25.4 cm) |
| B | back wall to unit | 10" (25.4 cm) |
| C | corner to unit | 4" (10.2 cm) |
| D | flue vent/chimney | 3" (7.6 cm) |
| E | side wall to unit | 4" (10.2 cm) |
| F | max length of alcove wall | 17" (43.2 cm) |

HORIZONTAL THROUGH THE WALL OR VERTICAL EXTERIOR INSTALLATION

| | | |
|---|---------------------------|---------------|
| A | side wall to unit | 10" (25.4 cm) |
| B | back wall to unit | 4" (10.2 cm) |
| C | corner to unit | 4" (10.2 cm) |
| D | flue vent/chimney | 3" (7.6 cm) |
| E | side wall to unit | 4" (10.2 cm) |
| F | max length of alcove wall | 17" (43.2 cm) |

FLOOR PROTECTION

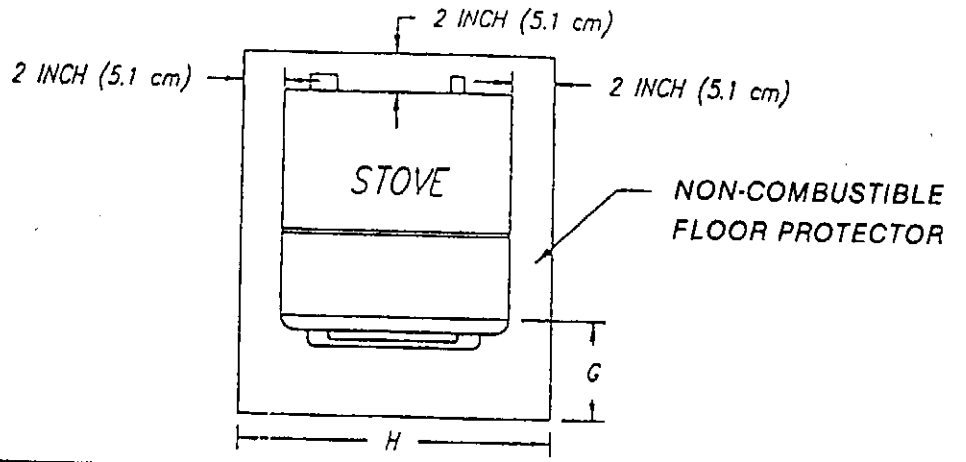
| | |
|-------------------|---------------|
| G front | 12" (30.5 cm) |
| H min width | 29" (73.7 cm) |

NOTE: Floor protector must extend to area below flue vent pipe and 2" (5.1 cm) on each side of vent pipe.

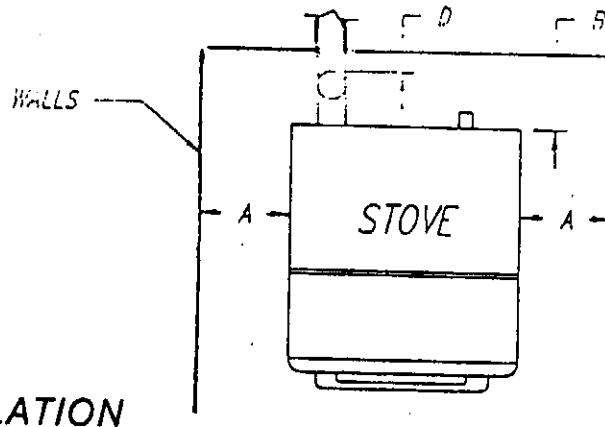
NOTE

For purposes of this installation manual, an alcove is defined as a recess or partly enclosed extension connected to, or forming a part of, a room. It may be on either an interior or exterior wall, no more than 48 inches (121.92 cm) deep, no less than 39 inches (99.06 cm) wide and no less than 54 inches (137.16 cm) from the top of the floor protection to the ceiling.

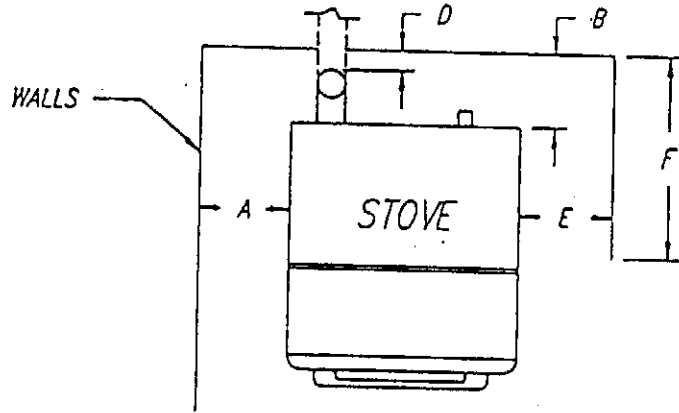
FLOOR PROTECTION
DIMENSIONS LISTED ARE MINIMUM



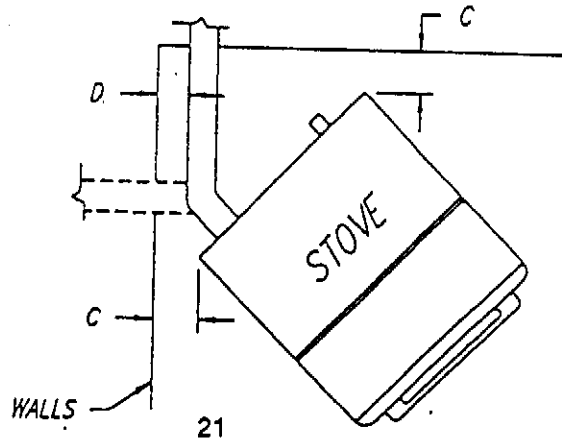
CONVENTIONAL INSTALLATION



ALCOVE INSTALLATION



CORNER INSTALLATION



GENERAL INSTALLATION NOTES

1. For conventional and mobile home installations, this BLAZE KING pellet stove is listed to be installed with any listed 3-inch "L" vent pellet vent pipe system.
2. The horizontal venting cap must not be located inside a garage, under a carport or patio roof, or in any other location where an obstruction above or beside the port could cause exhaust gases to collect.
3. The horizontal venting cap must be located at least 2 feet away from grass, shrubs, plants or any other combustible material.
4. Outside Air Intake (Combustion Air Intake) is required for all installations. Do not obtain outside air from an attic, garage, unventilated crawl space or any other enclosed space. Do not locate outside air inlet at an elevation higher than the exhaust termination. The outside air intake must be connected to a 2-inch I.D. metal or aluminum duct with rodent screen fixed to termination.

MOBILE HOME INSTALLATION NOTES

Some state or local jurisdictions may not allow the installation of pellet stoves in mobile homes. Contact local building or fire officials.

If this pellet stove is being installed in a mobile or manufactured home, horizontal exhaust vent terminations (the horizontal venting cap) shall be located not less than 4 feet (1.22 m) below, 4 feet (1.22 m) horizontally from, or 1 foot (30.48 cm) above any door, window or gravity air inlet into any building, nor less than 2 feet (60.96 cm) from an adjacent building, nor less than 7 feet (2.13 m) above grade when located adjacent to public walkways.

The stove must be bolted to the floor. A 3/8" hole is provided in the back of the base for this purpose.

WARNING

Do not install unit in a sleeping room.

CAUTION

The structural integrity of the mobile home floor, walls, ceiling and roof must be maintained.

ADJUSTMENT INSTRUCTION FOR PELLET 5,000

This unit must be adjusted for the brand of fuel you are using.

1. Remove imitation log.
2. Light stove as per instruction manual.
3. Operate unit on number 3 fuel feed control setting for 1 hour.
4. Move fuel feed control to # 5 fuel setting.
5. With the stove continuing to operate remove left side (as you face stove) panel. After you have removed the side panel allow the stove to burn an additional 5 minutes before adjusting.
6. You will find 2 square black timer blocks, one will have 3 terminals coming off and the other will have five terminals. The 5 terminals timer is the one that controls the fuel rate. And it is the one that needs to be adjusted for the type of fuel that you are using. Also it is the one closest to the heat exchange fan.

In the center of that square timer block you will find a blue square pot with a white adjustment screw. To increase the fuel flow turn the screw a very small amount clockwise. To decrease fuel flow turn opposite direction. It is best to turn the screw only 1/32" at a time. Wait 5 minutes and let the flame stabilize before making additional adjustments.

Adjust fuel flow until the flame is almost touching the top of the firebox at its highest point. It is normal for the flame to cycle lower and higher over a 5 minute period. The flame should no more than reach the top of the firebox at the highest point of this cycle.

After adjusting for the fuel brand replace side panel and install the imitation logs.

The largest log lays at rear of firebox. With curved ends laying toward rear of stove. The Small log lays in front against glass with curved ends towards rear. This leaves as much crack between the logs as possible. In other words the large log is as far back as possible and the small one is as far forward as possible with curved ends towards rear.

The unit is to be grounded with a #8 copper grounding wire or equivalent and terminated at each end with a N.E.C.-approved grounding device.

Refer to clearance to combustible section page for listing to combustibles plus appropriate chimney and connector.

SECTION 7 — ASSEMBLY AND INSTALLATION

SAFETY NOTICE

IF THIS STOVE IS NOT PROPERLY INSTALLED, A HOUSE FIRE MAY RESULT. FOR YOUR SAFETY, FOLLOW THE INSTALLATION DIRECTIONS. CONTACT LOCAL BUILDING OR FIRE OFFICIALS ABOUT RESTRICTIONS AND INSTALLATION INSPECTION REQUIREMENTS IN YOUR AREA. PLEASE READ THIS ENTIRE MANUAL BEFORE YOU INSTALL AND USE YOUR NEW STOVE. FAILURE TO FOLLOW INSTRUCTIONS MAY RESULT IN PROPERTY DAMAGE, BODILY INJURY OR EVEN DEATH.

Both the exhaust pipe and the vent must be sealed at each joint with red RTV 600-degree silicone. Do not use household silicone caulk. Do not use your finger to apply the silicone to the exhaust pipe or tubing; the metal edges are sharp and can cut. Use a small, flat stick or other similar instrument.

The vent joints must also be wrapped with aluminum self-adhesive tape. Failure to seal all joints properly will result in poor stove performance and may endanger your home and family.

The vent is made to be self-locking: When assembling, a clockwise, 15-degree twist of the pipe locks a section to the previous one. The sections must also be secured with at least two sheet-metal screws per joint.

Do not attempt to bend the listed "L" vent sections. Doing so could cause them to break. Do not connect the stove to the vent and then move the stove to adjust its position. Moving the stove after connecting the vent will apply stress to the vent and could damage it and will very likely break the seal at one or more of the joints. Measure carefully when planning your installation so that all straight sections of vent will be straight and all elbows will be 45 or 90 degrees.

Neither auto exhaust pipe or bendable stainless-steel tubing are self-locking, and red RTV 600-degree silicone is not sufficient to hold the sections together. Each joint must be locked with at least two screws.

When straight sections of exhaust pipe are joined, one of the straight pieces must have a flared end so that the other piece can be slipped inside. The exhaust pipe also must be flared to allow the bendable stainless-steel tubing to be slipped inside of it when the two are joined. All sections must be attached to each other with two screws, placed after those two sections are assembled and before the outer pellet vent pipe is in position. The bendable stainless-steel tubing is bent as needed and vent pipe is installed over it.

All joints must be sealed with red RTV 600-degree silicone. Place a generous bead of this silicone on the male section and apply a thin film of the silicone to the inside of the female section. Use enough silicone to create a positive seal.

WARNING

FAILURE TO SECURE AND SEAL ALL JOINTS PROPERLY WILL RESULT IN POOR STOVE PERFORMANCE AND MAY ENDANGER YOUR HOME AND FAMILY.

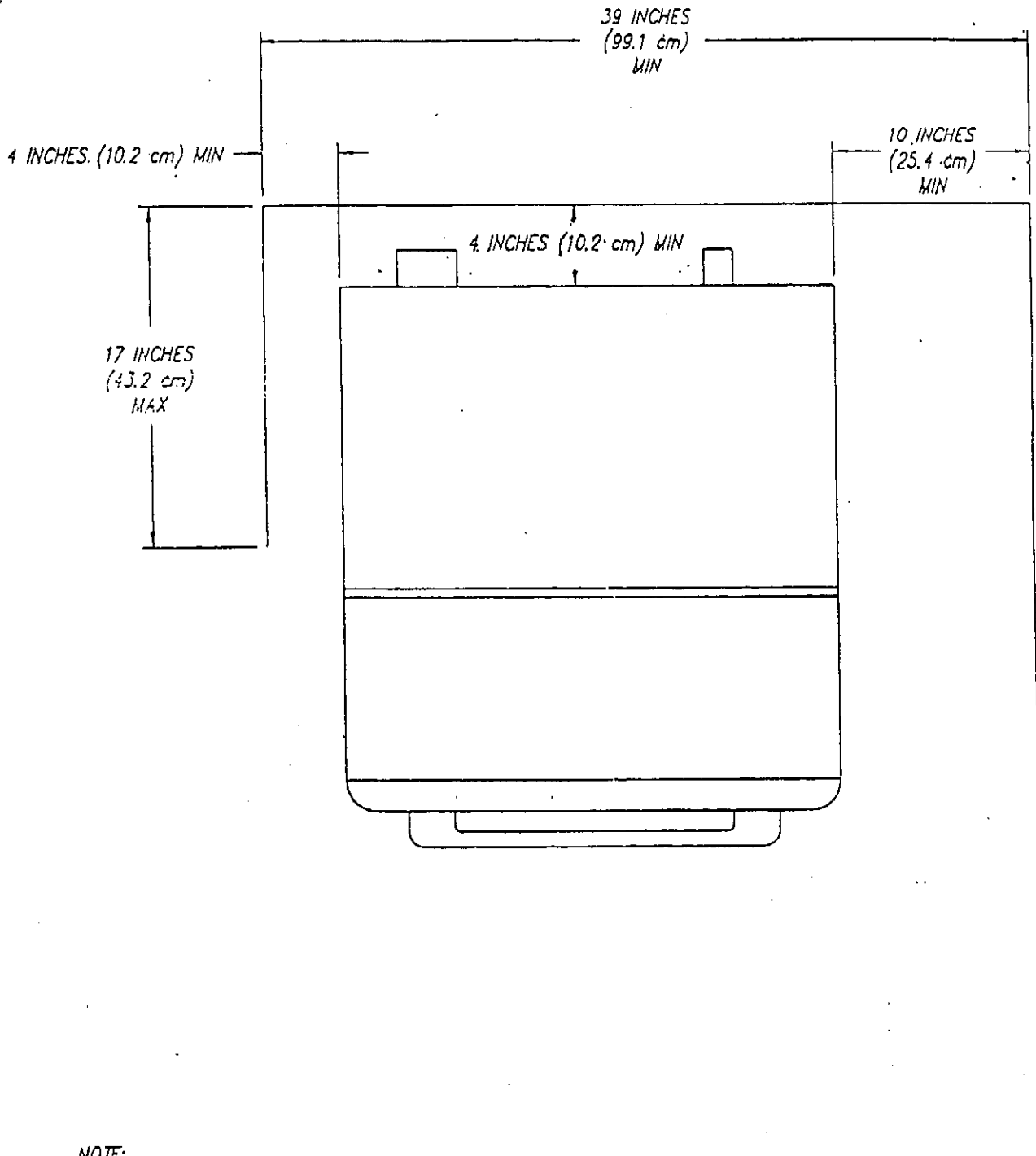
INSTALLATION INSTRUCTIONS

1. Determine the approximate location of the stove's venting system and where it will penetrate the home's wall or ceiling. Set the floor protector and stove in the desired location, observing the clearances listed in these instructions.

2. Determine the exact location at which the vent will penetrate the wall or ceiling. Remember that all horizontal section of the vent must slope downward away from the stove at a rate of $\frac{1}{4}$ inch (.64 cm) of vertical drop per foot of horizontal section, and the outside of the vent must be at least 3 inches (7.62 cm) from any combustible material (including a wall or ceiling).

NOTE

PELLET VENT SYSTEMS ARE MANUFACTURED IN A LIMITED VARIETY OF VENT SECTION LENGTHS. CONSIDER AVAILABLE SECTION LENGTHS (THE ACTUAL AS-CONNECTED LENGTH, NOT THE OVERALL LENGTH) BEFORE CUTTING HOLES IN FLOORS OR WALLS. SEVERAL PELLET VENT MANUFACTURERS PRODUCE ADJUSTABLE SECTIONS. IN SOME INSTALLATIONS, IT MAY BE POSSIBLE TO MIX AND MATCH DIFFERENT LENGTH SECTIONS OF VENT TO ACHIEVE THE DESIRED LENGTH OVERALL. DO NOT MIX VENT FROM DIFFERENT MANUFACTURERS.

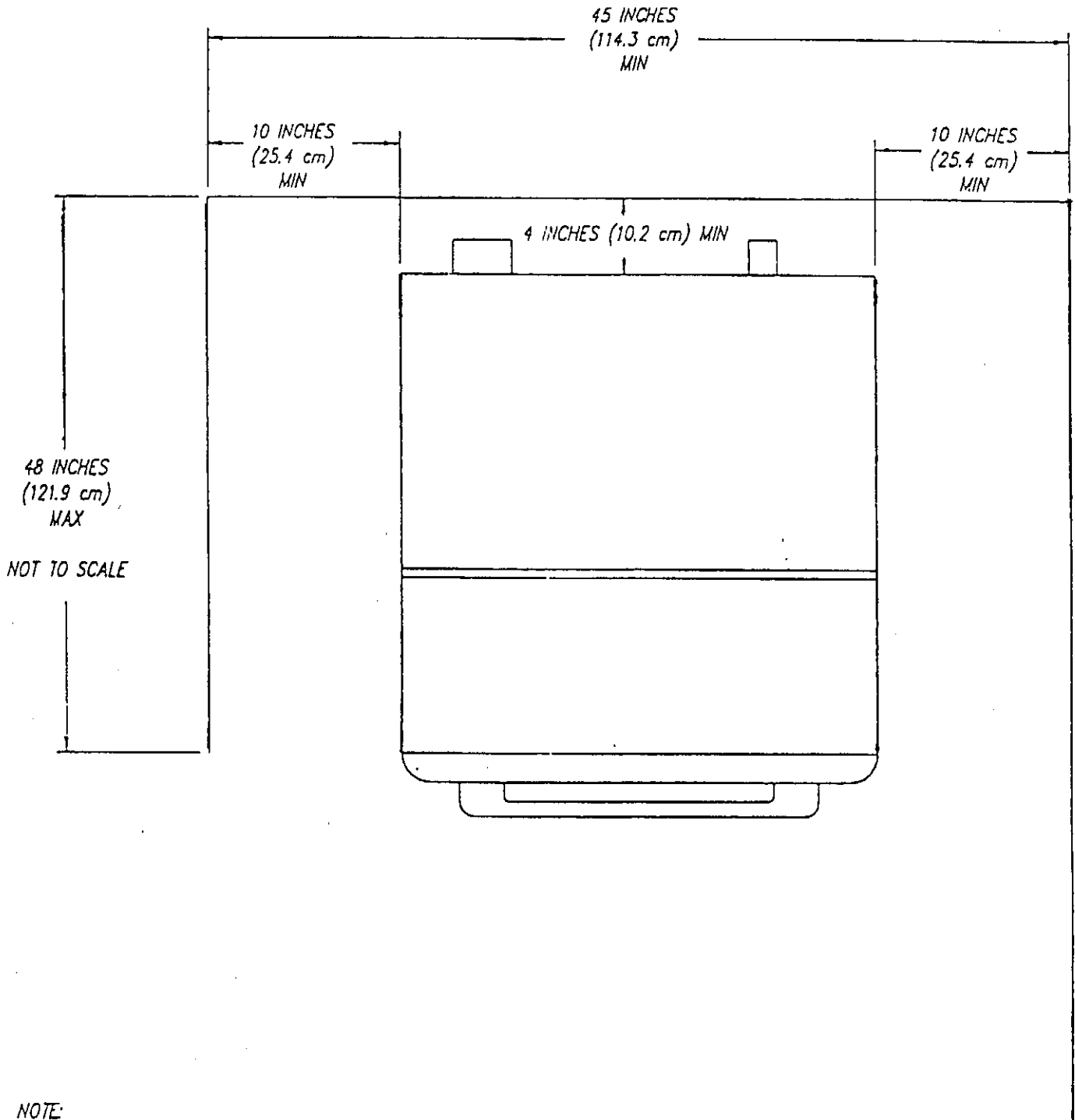


NOTE:

- MINIMUM ALCOVE HEIGHT 54 INCHES (137.2 cm)
- ALL MEASUREMENTS ARE FROM EDGE OF STOVE BASE TO WALL

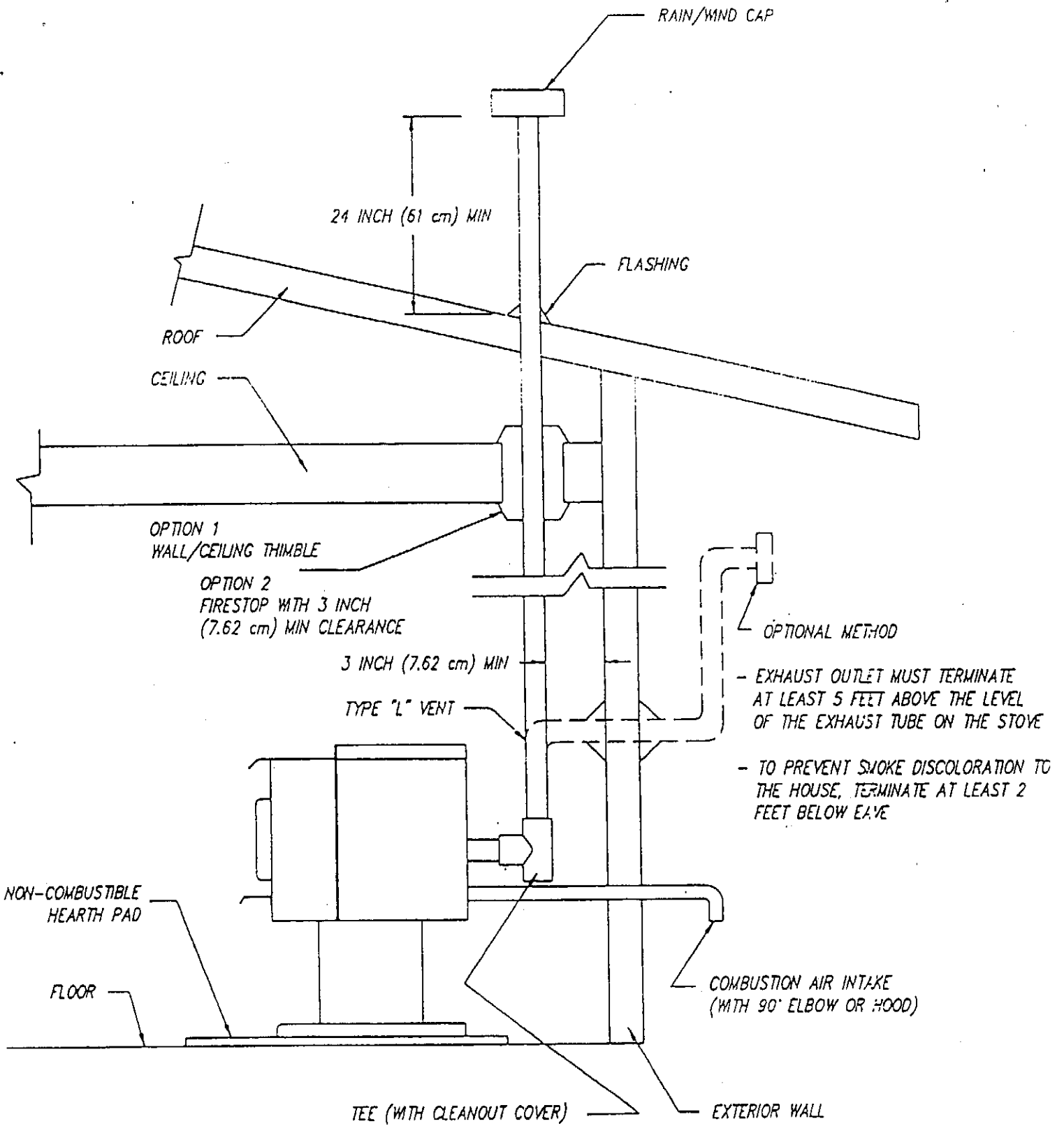
*RESIDENTIAL & MOBILE HOME
ALCOVE INSTALLATION*

(17 INCH MAX DEPTH)

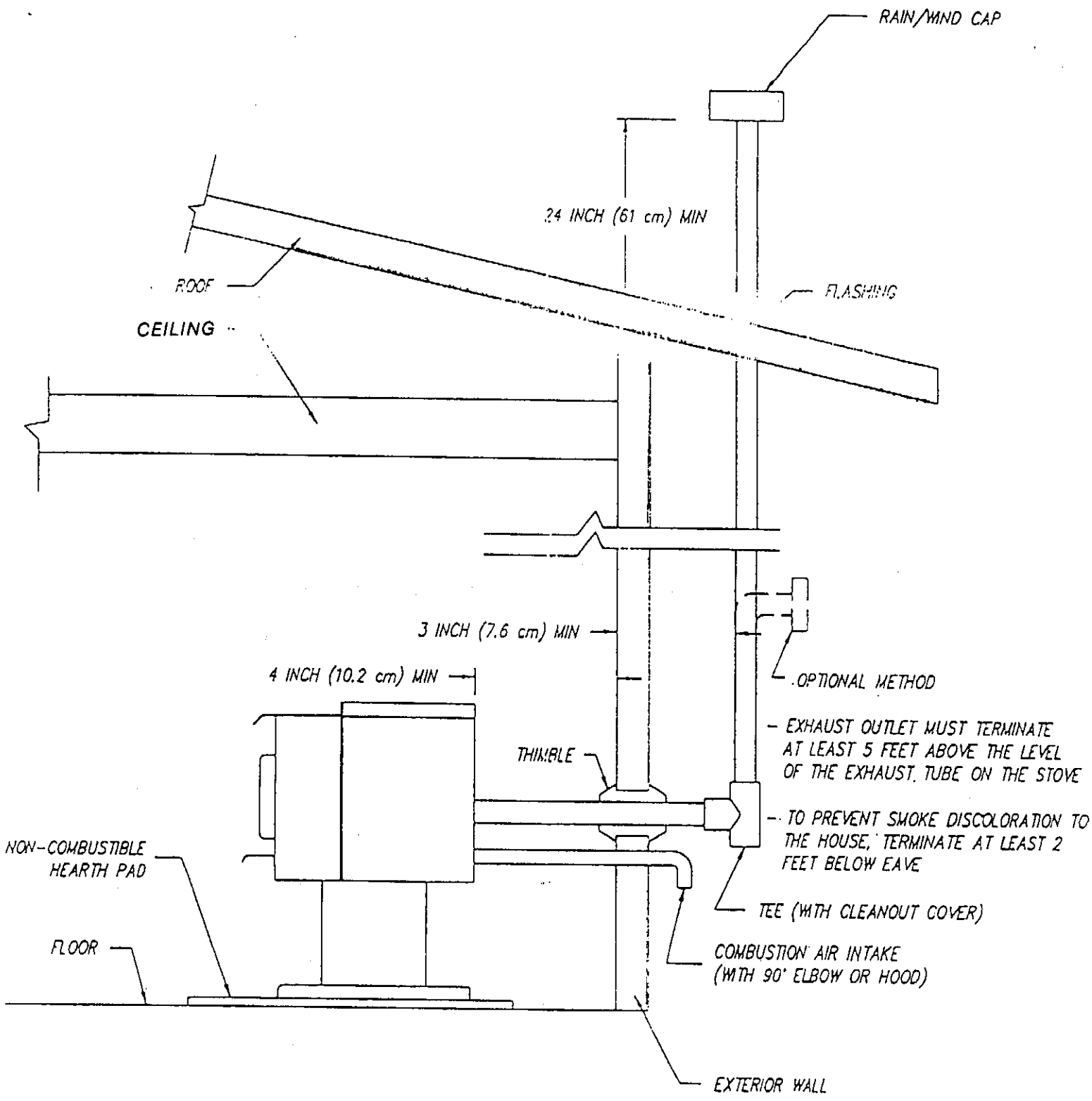


- NOTE:
- MINIMUM ALCOVE HEIGHT 54 INCHES (137.2 cm)
 - ALL MEASUREMENTS ARE FROM EDGE OF STOVE BASE TO WALL

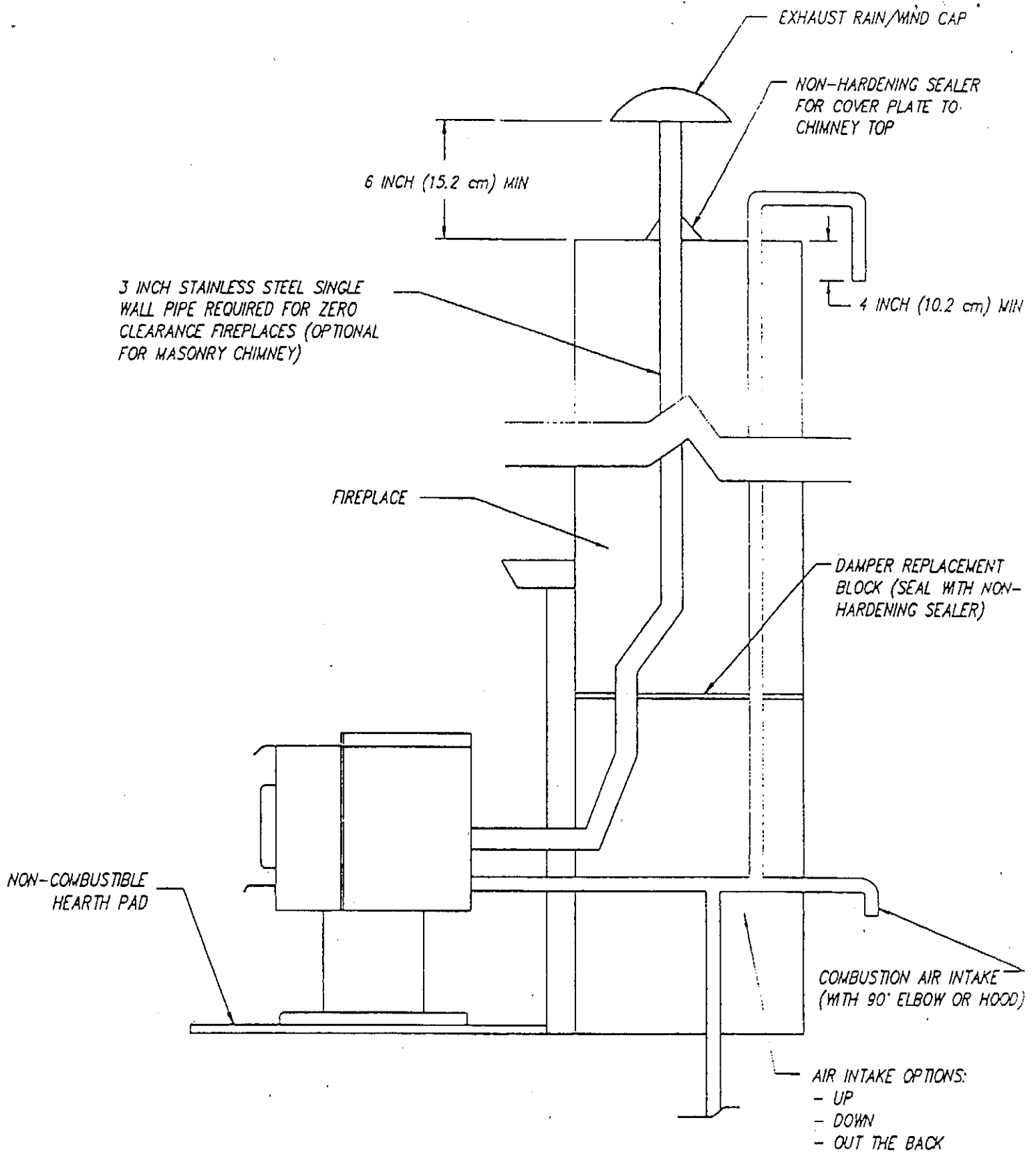
RESIDENTIAL & MOBILE HOME
ALCOVE INSTALLATION (48 INCH MAX DEPTH)



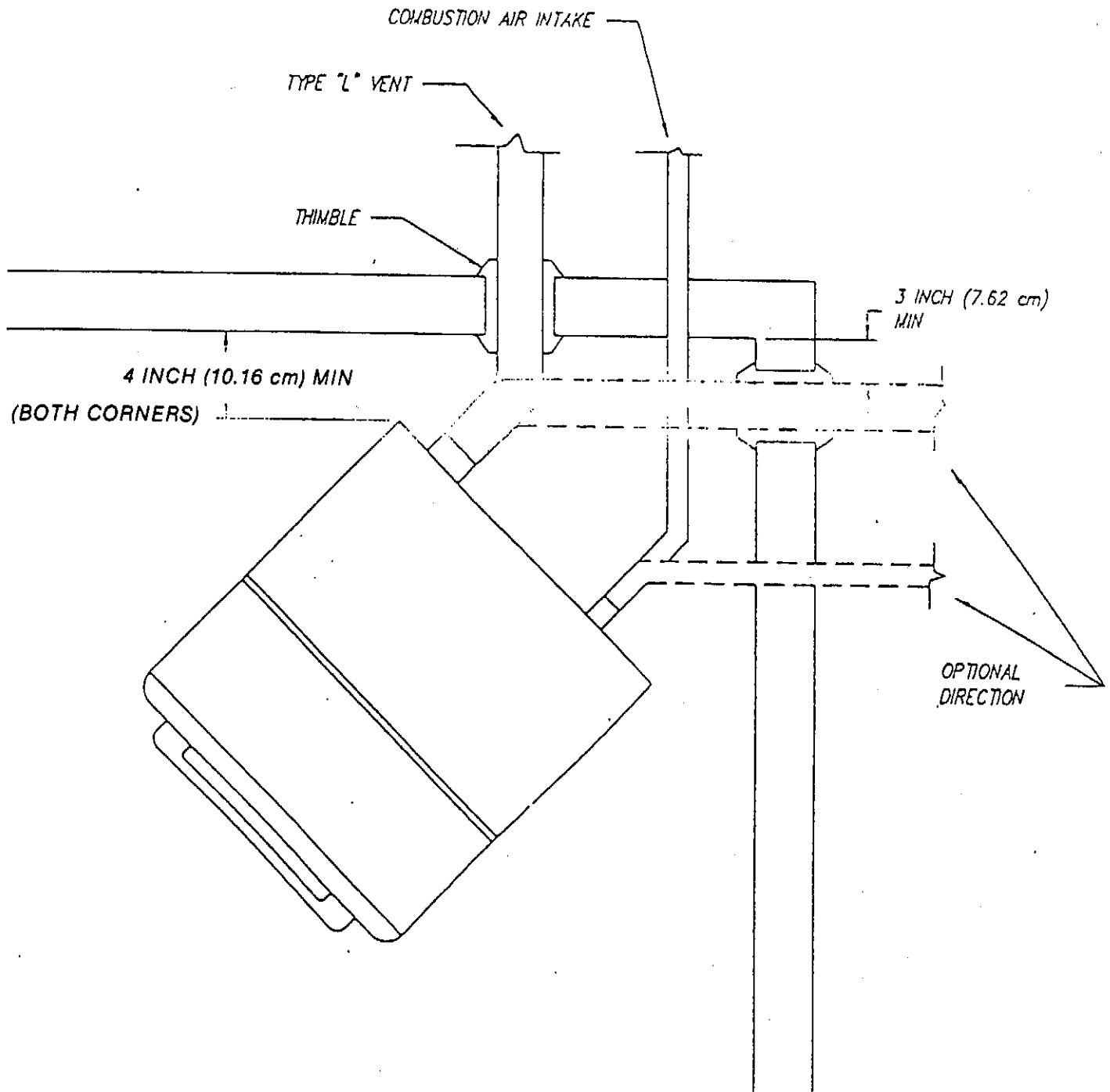
INSIDE VERTICAL INSTALLATION



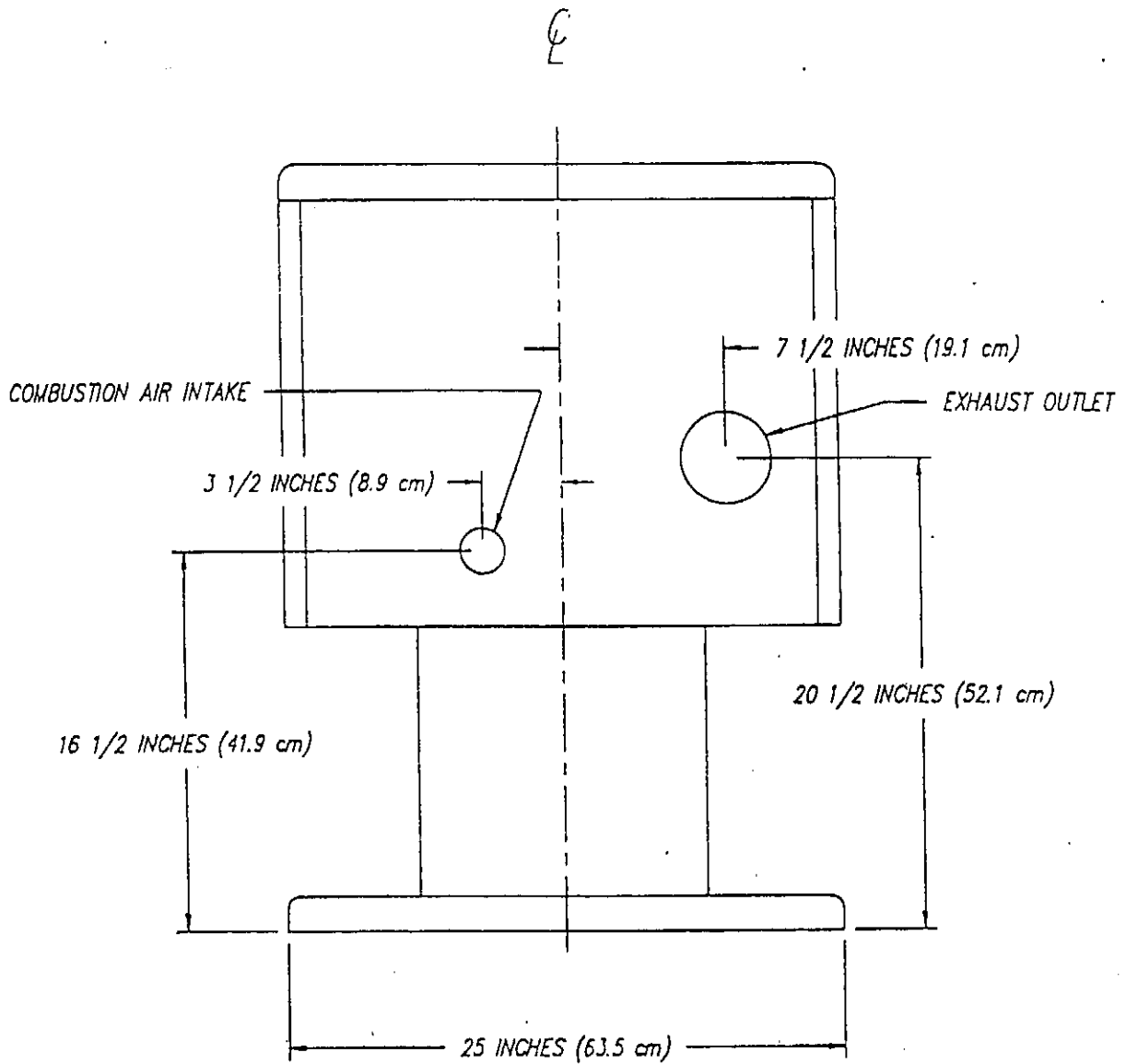
HORIZONTAL INSTALLATION



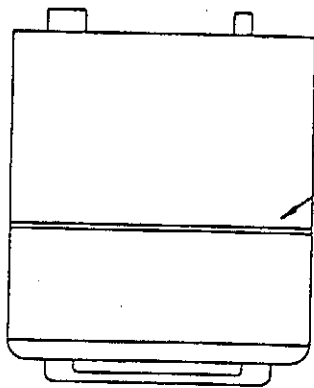
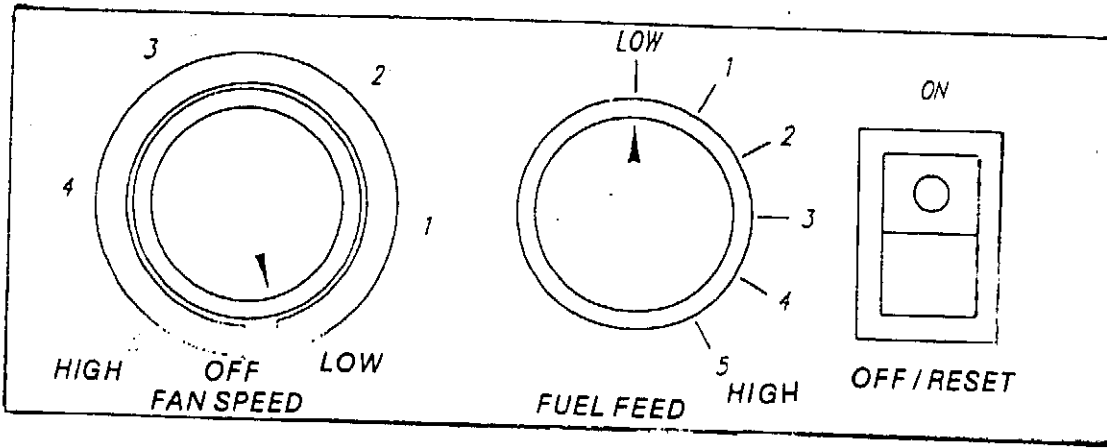
HEARTH STOVE INSTALLATION INTO EXISTING MASONRY FIREPLACE



HORIZONTAL CORNER INSTALLATION



INTAKE AND EXHAUST PORT LOCATION



CONTROL PANEL LOCATED UNDER HINGED TOP

TOP VIEW OF STOVE

LOCATION OF CONTROL SWITCHES

SECTION 8 — OPERATION

NOTE

MAKE SURE THE STOVE IS FULLY ASSEMBLED AND INSTALLED PROPERLY BEFORE ATTEMPTING TO OPERATE YOUR STOVE.

LIGHTING

For first-time use and any time after the stove has run out of fuel, the fuel feed auger must be primed. This is accomplished by turning the main switch to the ON position. To help speed the process, turn the fuel feed switch to high. When pellets begin to drop into the burn chamber, turn the switch to the OFF/RESET position. Now that the auger is primed, proceed as follows.

1. Set the fuel feed switch to LOW.
 2. Start a fire in the burn chamber using small kindling or a special fire starter pellet. You may wish to temporarily remove the decorative log while starting the fire. If you do, handle the log carefully, it can become fragile with use. Close the door.
-

CAUTION

NEVER USE GASOLINE, GASOLINE-TYPE LANTERN FUEL, KEROSENE, CHARCOAL LIGHTER FLUID OR SIMILAR LIQUIDS TO START OR FRESHEN UP A FIRE IN THIS HEATER. KEEP ALL SUCH LIQUIDS WELL AWAY FROM THE HEATER WHILE IT IS IN USE.

3. Once your starter fire is burning well, turn the main switch to the ON position. Leave the fuel feed switch in the LOW setting until the pellets are burning well. Increase the fuel feed to medium or else the stove will likely shut itself off because of the reason mentioned in the note below. Do not, however, increase the fuel feed from the initial low setting to high, because the incoming pellets may smother a fire in its early stage. After a good fire has been established in the medium range, you may set the fuel feed setting to suit your heating requirements.

NOTE: Your stove has a safety device (a heat sensor) which determines if a fire has been successfully established within a certain period of time after the main switch has been turned ON. If the fire has not started successfully, the stove will automatically turn itself OFF. To turn the stove back on again, you must first reset the stove by turning the main switch to the OFF/RESET position for 10 seconds. If sufficient coals are in the burn chamber, you may turn the main switch to the ON position to re-initiate pellet feed, otherwise repeat the process beginning at step 2.

The stove will remain burning in the low setting once a good fire has been established; however, a new fire if left in the low setting will not satisfy this safety device. Therefore, a new fire must build up to and run in the medium setting for a brief period of time before you leave it in the low setting.

This safety device is also responsible for shutting the stove off if it runs out of fuel. If the stove runs out of fuel, restart by priming the auger as outlined at the beginning of this section.

CONTROL SWITCH SETTINGS

Adjustments to the fuel feed switch should be gradual. A sudden increase from low to high may cause the incoming pellets to smother the fire. A sudden decrease from high to low may adversely affect the air/fuel mixture and cause the glass to become black. Therefore, it is recommended that adjustments be made approximately two notches at a time, until the fire adjusts to the new setting.

The Fuel Feed switch and the Fan Speed switch should be synchronized with each other. The Fan Speed switch should be set within plus or minus one position as that of the Fuel Feed. For example, if the Fuel Feed is set to 3, the Fan Speed should be within the range of 2 to 4. If the Fan Speed is set too low, the stove may overheat. A protection device will automatically turn the fan to high until the overheat subsides. After the stove has returned to a safe operating temperature, control is returned to the Fan Speed switch. This may result in an annoying cycling of the fan motor. Correct setting of the switches should eliminate any rapid cycling as described.

SECTION 9 — MAINTENANCE

AUTHORIZED SERVICE REPRESENTATIVE

Your local BLAZE KING dealer is your authorized service representative. Should you have any problems with operating or maintaining your BLAZE KING pellet stove, contact him as soon as possible. The dealer will help you solve operating problems, provide replacement parts and/or arrange warranty service repairs as required. Dealers will need information such as model, serial number, date of purchase and a summary of the problem.

THE INTERVALS FOR THE FOLLOWING MAINTENANCE PROCEDURES ARE INITIAL RECOMMENDATIONS. YOUR OPERATING CONDITIONS AND GOOD JUDGMENT MAY LEAD YOU TO ALTER THE FREQUENCY WITH WHICH YOU PERFORM THESE DUTIES.

ONCE EACH WEEK

Turn the stove off and allow to cool down. Remove the decorative log and the burn pot (the part with several holes in it). Clean out the bottom of the burn chamber in the stove. Make sure all holes in the burn pot are clear of obstruction. Re-assemble parts for use.

ONCE EACH MONTH

Perform the steps outlined in the weekly section, but do not re-assemble the parts yet. Loosen the bolt in the front of the stove which secures the burn pot holder. Remove the burn pot holder, the insulation material in the back of the burn chamber, and the left and right baffles. Clean the entire burn chamber area, including under the heat exchange area (the narrow opening in the bottom/rear of the burn chamber).

Remove the exterior left (as you look at the front of the stove) side panel. There is one bolt on the bottom, and one bolt on the top of the side panel. Also, three bolts on the back of the side panel will need to be removed. Now the side panel will slide out. You will find a 2-inch round inspection plate on the side of the heat exchange. Remove the three screws and check inside the heat exchange area for build-up. Clean as required.

Remove the combustion blower and clean as required.

Re-assemble the stove in the reverse order.

CREOSOTE

When wood burns slowly (whether logs, split kindling or wood pellets), it produces tar and other organic vapors which combine with moisture to form creosote. Wood pellets burn exceptionally well and produce very little creosote. But, during each start-up period, a little creosote is produced. When ignited, this creosote makes an extremely hot fire.

This BLAZE KING pellet stove should cause very low levels of creosote accumulation if it is operated properly. The frequency of start-up operations and the temperatures at which the stove is usually operated will affect the rate of accumulation. If significant creosote build-up occurs, check the thermostat settings and fuel feed rate settings.

The exhaust fan and venting system should be inspected at least twice each month during the heating season to determine if a creosote build-up has occurred. Check the system at the stove end and at the horizontal venting cap. If creosote has accumulated, it should be removed to reduce the risk of a fire.

This BLAZE KING pellet stove should cause very low levels of creosote accumulation if it is operated properly. The frequency of start-up operations and the temperatures at which the stove is usually operated will affect the rate of accumulation. If significant creosote build-up occurs, check the thermostat settings and fuel feed rate settings.

The exhaust fan and venting system should be inspected at least twice each month during the heating season to determine if a creosote build-up has occurred. Check the system at the stove end and at the horizontal venting cap. If creosote has accumulated, it should be removed to reduce the risk of a fire.

The creosote should be removed with a brush specifically designed for the size and type of pipe in use. A chimney sweep can perform this service. It is also recommended that before each heating season the entire system be professionally inspected, and cleaned and repaired if necessary.

FLY ASH

When burned, wood pellets also produce fly ash. Fly ash may accumulate on the blades of the exhaust fan. (A heavy fly ash coating will reduce the stove's efficiency and result in a much dirtier burn.) Inspect the fan blades at least twice each month during the heating season. Any fly ash accumulation should be wiped or brushed off.

Most of the fly ash lands in the stove's ash pan, but some collects on the inside of the stove.

To inspect and clean the chamber inside the stove, allow the fire to go out and the stove to cool down. Open the viewing door and carefully wipe the entire inside surface of the fire box with a rag. Most of the fly ash will fall into the ash pan.

MAINTAINING GASKETS

Safe and efficient operation of any pellet stove depends greatly on the integrity of the gaskets. Check the viewing door, ash drawer and pellet hopper lid gaskets at the beginning of the heating season and at least twice during the heating season. When the gaskets are frayed or no longer seal, they must be replaced (contact your dealer for appropriate replacement gaskets). Inspect each gasket for physical deterioration, missing sections or obvious leakage. To check the gasket further, insert a piece of paper into the door opening, then close and latch the door. Try to pull the paper out. If the paper comes out, the gasket is loose and should be replaced. Repeat this check several times around the perimeter of each door.

REPLACEMENT OF DOOR GASKET

If the door gasket needs to be replaced, do the following:

1. Order some 7/8" fiberglass gasket material from your BLAZE KING dealer.
2. Be sure the fire is out and the stove has cooled down. The door does not have to be removed from the stove.
3. With a pair of pliers, pull the old door gasket out of the channel and dispose of it.
4. Thoroughly clean out the channel so the new silicone adhesive will adhere and the gasket will fit smoothly.
5. Run a small bead of a high-temperature silicone adhesive (such as G.E. Silicone Sealer, or the equivalent) along the center of the channel. **DO NOT USE HOUSEHOLD SILICONE CAULKING.** High-temperature silicone may be obtained from most auto part stores.
6. Start the new gasket in the lower right corner. Do not stretch or cut the gasket. Distribute the gasket evenly around the frame.
7. Close the door and allow the adhesive to dry.
8. Check the fit of the door as outlined above in Maintaining Gaskets (page 37).

CLEANING VIEWING DOOR GLASS

While the glass may coat with fly ash, cleaning is usually easy. Wiping with a soft cloth will remove most of the deposit. Manual glass cleaning should be done when the stove and glass are cool. **DO NOT CLEAN THE GLASS WHILE IT IS HOT.** Use a soft cloth and **NON-ABRASIVE** household cleaner. After using any non-abrasive cleaner, thoroughly rinse the glass with water to remove any deposits left by the cleaner. Failure to remove all traces of glass cleaner will result in the glass cleaner residue baking on. This residue will then be very difficult to remove.

DOOR GLASS, REPLACEMENT

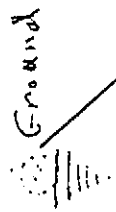
Your BLAZE KING pellet stove is equipped with a door which uses a strong, heat-resistant ceramic glass intended to withstand extremely high temperatures and tested for continuous use above 1200 degrees Fahrenheit. However, this glass can be broken through improper use. If glass replacement becomes necessary, use only **BLAZE KING GLASS**, part number 0257CBK. **DO NOT SUBSTITUTE ANY OTHER MATERIAL FOR THIS PURPOSE.**

WARNING

BROKEN DOOR GLASS IS SHARP. ALWAYS WEAR EYE PROTECTION AND PROTECTIVE GLOVES WHEN HANDLING GLASS. DISCARD THE GLASS IN A CLOSED CONTAINER INACCESSIBLE TO CHILDREN.

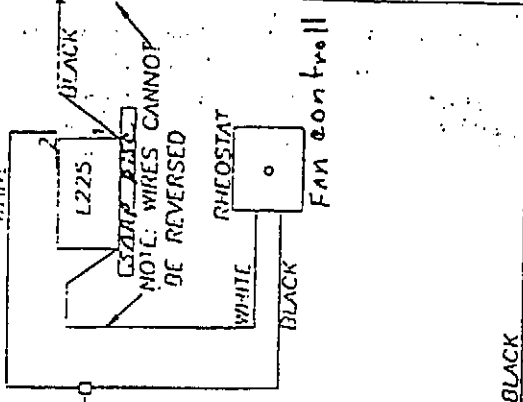
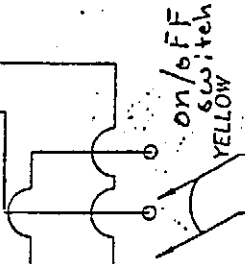
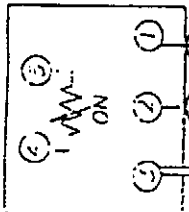
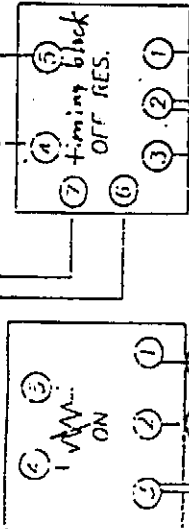
1. Allow the fire to completely burn out and the stove to cool down.
2. Retain all metal parts for re-installation.
3. Open the door and remove the #10 X 3/8" screws holding the retainers to the inside of the door.
4. Remove the damaged glass and the old glass gasket.
5. The replacement glass has the gasket installed on its outer perimeter. Place the glass in the door frame. Be sure the words "Blaze King" etched in the glass read correctly when the door is closed.
6. Reinstall the retainers with the #10 x 3/8" screws.

Fuel feed adjustment
500K POTENTIOMETER SET @ 40K

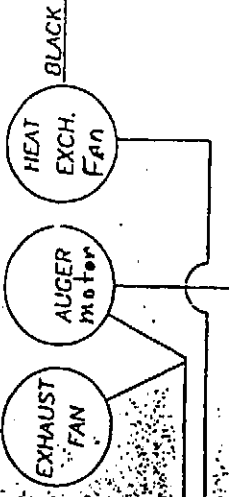
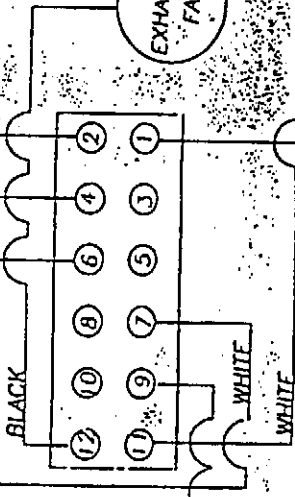


WATER
PRESS

100K
150K
360K
32K
51K control switch



Mounted on Exhaust manifold
L250
L130
L225



| PART NAME | DATE | REV. | NUMBER |
|-----------|---------|------|----------|
| WIRING | 8-31-92 | | |
| MODEL | | | SCALE |
| PEL-5000 | | | |
| MATERIAL | | | DRAWN BY |
| | | | T.J. |

**OWNER'S
INSTALLATION AND
OPERATION INSTRUCTIONS**

SAVE THESE INSTRUCTIONS

**Blaze King
WOODSTOVES**

**BLAZE KING PELLET STOVE
Model PEL-5000**

OM-19A
10-28-91

Manufactured by:

Blaze King Industries
400 W. Whitman Drive
College Place, WA 99324
(509) 522-2730

Copyright ©1991 Blaze King Industries