

WARNOCK HERSEY



# BLAZE KING

## PRODUCTS

# The Yarwood / The Elegant

## 9803 GAS APPLIANCE

Owner's Installation and Operations Manual  
**SAVE THESE INSTRUCTIONS**

**WARNING:** If you do not follow these instructions exactly, a fire or explosion may result causing property damage, personal injury or loss of life.

**AVERTISSEMENT:** Quiconque ne respecte pas à la lettre les instructions dans le présent manuel risque de déclencher un incendie ou une explosion entraînant des dommages matériels, des lésions corporelles ou la perte de vies

**FOR YOUR SAFETY:** Do not store or use gasoline or other flammable vapors and liquids in the vicinity of this or any other appliance.

**POUR VOTRE SÉCURITÉ:** Ne pas entreposer ni utiliser d'essence ni d'autre vaperurs ou liquides inflammables dans le voisinage de cet appareil ou de tout autre appareil.

**FOR YOUR SAFETY:** What to do if you smell gas:

**POUR VOTRE SÉCURITÉ:** Que faire si vous sentez une odeur de gaz:

- Do not touch electrical switches.
- Do not try to light any appliance.
- Do not use the phone in your building.
- Immediately call your gas supplier from a neighbors phone. Follow your gas suppliers instructions.
- If you cannot reach your gas supplier, call the fire department

- Ne pas tenter d'allumer d'appareil.
- Ne touchez à aucun interrupteur. Ne pas vous servir des téléphones se trouvant dans le bâtiment où vous vous trouvez
- Evacuez la pièce, le bâtiment ou la zone. Appelez immédiatement votre fournisseur de gaz depuis un voisin. Suivez les instructions du fournisseur.
- Si vous ne pouvez rejoindre le fournisseur de gaz, appelez le service des incendies.

Installation and service must be performed by a qualified installer, service agency or the gas supplier.

L'installation et service doit être exécuté par un qualifié installer, agence de service ou le fournisseur de gaz.

**MANUFACTURED IN USA BY:**

Blaze King Industries  
146 A Street  
Walla Walla, Wa.  
99362

Ph# 1-509-522-2730

**MANUFACTURED IN CANADA BY:**

Valley Comfort Systems Inc.  
1290 Commercial Way  
Penticton, BC  
V2A 3H5

Ph# 1-250-493-7444

Dear Customer:

Thank you for purchasing this Blaze King gas appliance. It is our goal to have every purchaser of a Blaze King stove be a satisfied customer. This owner's manual explains the steps required to safely assemble, install, operate, and maintain your new appliance.

Be a responsible appliance owner. Carefully read these requirements for safe installation and proper operation BEFORE installing and using your appliance. Obtain permits from the Building Inspector or Fire Department if local laws require them. Check local building and Fire Codes before installing your appliance. When you have completed the installation, have it checked by your local inspector. Disregarding inspection and code requirements may jeopardize your safety and/or homeowner's insurance. Contact your insurance agent since some insurance carriers require notification of an appliance installation. We want your Blaze King to give you a lifetime of trouble-free operation.

We have made every effort to make these installation and operating instructions as complete as possible. If you have any questions that have not been answered here, contact your BLAZE KING dealer, Local Building Inspector, or Fire Department.

The management and Employees of BLAZE KING

**KEEP THIS MANUAL FOR FUTURE REFERENCE!!**

**Mail your warranty card TODAY, and SAVE your BILL OF SALE. This card is included with the accessory package inside each firebox.**

In order to receive full warranty coverage and to expedite service, BKI recommends that you save your bill of sale and attach it to this page.

By doing this you will have all the necessary information in the event that your stove may need service.

Your Blaze King Stove has its own personal serial number, no two stoves are alike. The serial number is located on the stove label attached to a plate in the slot below the viewing door..

# TABLE OF CONTENTS

SPECIFICATIONS MODEL 9803 .....	4
SAFETY NOTICE.....	4
WARRANTY.....	5
WHITE MINERAL DEPOSITS .....	6
CLEANING YOUR GAS UNIT .....	6
COPY OF LABEL.....	7
CAUTION .....	8 & 9
PLANNING YOUR INSERT PLACEMENT .....	9
PARTS DESCRIPTION.....	10
APPLIANCE ASSEMBLY INSTRUCTIONS .....	11
LOG INSTALLATION .....	11
GAS CONNECTIONS .....	12
FLUE VENTING .....	13
CLEARANCE DIAGRAM .....	13
BURNER CONVERSION INSTRUCTIONS.....	14
ORIFICE SIZING TABLE .....	15
LIGHTING PREPARATION .....	16
LIGHTING INSTRUCTIONS .....	16
GAS FLAME ADJUSTMENT .....	17
STARTING THE UNIT FOR THE FIRST TIME .....	17 & 18
CAUSE AND AFFECT OF OPERATION.....	18
WIRING DIAGRAMS.....	19
PARTS LIST.....	20

# 9803 SPECIFICATIONS

High Burn Steady State Efficiency:	FAN HIGH	FAN OFF
Natural Gas	83%	79%
L.P. Gas	84%	79%
	NATURAL GAS	L P GAS
	Insert	Insert
Input Rating (BTU/hr) 0-610m (0-2000 ft.) Alt.	33,000	31,500
Orifice Size (DMS) 0-610m (0-2000 ft.) Alt.	34	52
Input Rating (BTU/hr) 610-1370m (2000-4500 ft.) Alt.	30,000	29,500
Orifice Size (DMS) 610-1370m (2000-4500 ft.) Alt.	35	53
<b>Unit Comes Factory Equipped For 0-610m (0-2000 ft.) Alt.</b>		
Minimum Input (BTU/hr)	17,000	16,000 <sup>1</sup> 14,000 <sup>2</sup>
Minimum Output	14,100	13,400 <sup>1</sup> 11,800 <sup>2</sup>
Maximum Output (BTU/hr) Fan High	27,400	26,500
Maximum Output (BTU/hr) Fan Off	26,000	24,900
Manifold Pressure (in w.c/kPa)	3.5/0.87	11.0/2.74
Manifold Pressure Lo-setting (in w.c/kPa)	1.3/0.32	3.5/0.87 <sup>1</sup> 2.7/0.67 <sup>2</sup>
Minimum Inlet Pressure (in w.c. / kPa)	5.0/1.24	12.1/3.00
( <sup>1</sup> Honeywell Valve- <sup>2</sup> Robert Shaw Valve)		
<b>Please confirm any information you require for installation or service with the approval label on the appliance.</b>		

	Freestanding	Firebox	Shroud
<b>Width</b>	27.75"	27.5"	43"
<b>Height</b>	35"	23"	29.5"
<b>Depth</b>	22.5"	22.5"	2"
<b>Weight</b>	180	116	40

This Blaze King gas appliance has been tested, certified and listed by ITS/ WARNOCK HERSEY INC., Middleton, WI. 53562 for USA to ANSI Standard Z21.88-1998\* CSA 2.33-M98 "Gas Fired Vented Room Heater" and CAN/ CGA 2.17-M91 "Gas Fired Appliance for use at High Altitudes". Gas appliances must be tested and certified by a nationally recognized testing and certification agency to ANSI Gas Appliance Safety Standard

## SAFETY NOTICE

**IF THIS APPLIANCE IS NOT PROPERLY INSTALLED, A HOUSE FIRE, OR EXPLOSION MAY RESULT. FOR YOUR SAFETY, FOLLOW THE INSTALLATION DIRECTIONS. CONTACT LOCAL BUILDING OR FIRE OFFICIALS ABOUT RESTRICTIONS AND INSTALLATION REQUIREMENTS IN YOUR AREA. PLEASE READ THIS ENTIRE MANUAL BEFORE YOU INSTALL AND USE YOUR NEW APPLIANCE. FAILURE TO FOLLOW INSTRUCTIONS MAY RESULT IN PROPERTY DAMAGE, BODILY INJURY or DEATH.**

**CAUTIONS:NEVER** vent the appliance to other rooms or buildings. The appliance must be vented **only** to the outside.

**NEVER** burn the appliance with the viewing door open.

**FIRE EXTINGUISHER:**

Every home should have at least one fire extinguisher. An approved Class A-B-C extinguisher should be mounted on the wall near an exit and close to the appliance, but not so close that accessibility to the extinguisher could be blocked by a fire. Your local Fire Department can advise you concerning the most appropriate location.

**BUILDING AND FIRE CODES, PERMITS AND INSPECTIONS:**

The installation of this gas appliance must comply with your local building and fire codes. Always contact your local Building Inspector and/or Fire Department before beginning the installation process. If required, obtain a permit before installation and have the completed installation inspected. Remember that not complying with building and/or fire codes may jeopardize your homeowner's insurance.

**CHILDREN:**

Do NOT allow children to play near the appliance or with the controls. Severe burns may be inflicted by touching the door or glass, the front, sides or top of the appliance. Train children to stay away from the appliance, and never leave children unattended in the room when the appliance is in operation.

**SMOKE DETECTORS and CARBON MONOXIDE DETECTORS (CO- DETECTORS):**

Install at least one smoke detector on each floor of your home to ensure your safety. It should be located away from the gas appliance and close to the sleeping areas. Follow the smoke detector manufacturers placement installation and maintenance instructions. Your local Fire Department may provide assistance in selecting smoke detectors and CO-detectors. It is strongly recommended, for your family's protection, that a CO-detector be placed in all homes that utilize gas in any form.

**THE APPLIANCE AREA MUST BE KEPT CLEAR FROM COMBUSTIBLE MATERIALS, GASOLINE AND OTHER FLAMMABLE VAPORS OR LIQUIDS.**

# BLAZE KING WARRANTY

Gas stoves manufactured by Blaze King Industries and/or Valley Comfort Systems Inc. are covered by a limited lifetime warranty against manufacturers defects in material and workmanship. Details of this comprehensive warranty program are outlined below. In addition to the terms outlined for the limited lifetime warranty, our products carry a 5 year warranty which covers mechanical and electrical components including labor costs outlined below. The combination of these warranty policies provide a very strong coverage package that we are proud to offer you, our customers. Our Blaze King tradition of building high quality products for over 25 years is really your most important assurance of quality but it's nice to know that should something fail (and it occasionally does) you are covered by a warranty policy that leads the industry. To ensure the coverage is in place you must have your unit properly installed by an authorized Blaze King dealer and you must register your ownership. Blaze King's warranty policy applies only to units sold in the USA or Canada. No person is authorized to modify this warranty or make any additional warranties on behalf of the manufacturer, Blaze King.

## Components and parts 5 year warranty:

Blaze King warrants the following parts; blower motors, door gasket, blower speed control, logs, pilot assembly, gas valve, gas lines, thermocouple and/or thermopile against defects in material or workmanship to the original purchaser, for five years following the date of purchase. During year 1, 2 & 3 of this plan, parts will be supplied at no cost to the original retail purchaser. During year 4 & 5 parts will be supplied at 50% of suggested retail price.

## Labor costs during the 5 year warranty period:

Blaze King manufacturers warranty covers labor costs to the original purchaser based on our schedule of approved charges, provided to our authorized dealers. Blaze King will only be responsible for labor costs provided by our authorized dealers and based upon the schedule.

## Limited Lifetime Coverage

This warranty contains different terms that cover specific parts of the gas appliance. Blaze King warrants the following parts of the gas appliance against defects in material or workmanship to the original retail purchaser. For the first five years of ownership, the combustion chamber, heat exchanger and burners will be replaced by Blaze King, conditional upon production availability. From year 6 through to the end of ownership by the original purchaser, Blaze King will provide replacement or repair of the aforementioned parts, conditional upon current production availability, at 50% of current retail price but does not cover any charges relating to labor. This portion of the warranty coverage is not transferable and applies only to the original purchaser.

## How to Get Service

If this product requires repair or replacement due to defects in material or craftsmanship during the first five years of ownership, contact your Blaze King dealer and explain the nature of the problem. If the dealer is unable to repair or replace the product to your satisfaction then contact Blaze King at 509-522-2730 in the USA or 250-493-7444 in Canada. If a replacement part is sent directly to you, please contact Blaze King to obtain a **Return Authorization Number (RA#)** for all defective parts. Blaze King will refuse delivery of any returned packages not clearly showing an (RA#). All expenses relating to the shipping of defective parts or entire stoves will be at purchaser's expense.

## Blaze Kings Responsibilities:

If the purchaser has complied with all the terms and conditions of this warranty and if the purchaser has notified Blaze King of the defect prior to the expiration of any warranted items, the following procedure will occur. Blaze King will inspect the product to determine that there is indeed a defect and that the defect is covered by warranty. Blaze King will either repair or replace the product at its' discretion. Under no condition whatsoever does Blaze King provide or imply warranty coverage for venting components used in the installation of our products. This warranty details the obligations and liabilities of Blaze King and no other warranties are expressed or implied. Blaze King reserves the right to investigate and settle all claims against warranted parts at their discretion. In no event shall Blaze King be held responsible for indirect or consequential damages of any nature which are in excess of the original purchase price of the product. Blaze King may at its' discretion discharge any or all obligations by refunding the wholesale price of any defective part or parts.

## Misuse of Stove Nullifies Warranty:

The above warranty is conditional upon the proper installation and use of the product according to the manufacturers instructions as specified in the "**Owners Installation & Operations Instructions**" and in compliance with applicable local building and fire codes. Blaze King recommends the local building inspector or fire department inspect the unit prior to initial use. Consult the "Owners Installation & Operations Instructions" supplied with each unit prior to installation or operation. Alteration, abuse, lack of maintenance, faulty repairs or misuse will void the warranty. Abuse includes but is not limited to the use of fuels other than as specified in the "Owners Installation & Operations Instructions."

# BLAZE KING LIMITED LIFETIME WARRANTY

## Legal Rights of Purchaser:

This warranty gives you specific legal rights and you may have other rights that vary from state to state (or province to province).

## Blaze King Assurance:

Included with each gas stove manufactured by Blaze King is a Warranty Card, which must be completed in its entirety and returned to Blaze King within ten days from the date of purchase. Blaze King will be unable to properly administer the warranty if the card is not completed and registered on file.

This Warranty will pay to repair and or replace parts which fail under normal usage at labor rates established by this Agreement. Extra charges such as mileage, overtime or shipping are not covered. Nuisance calls are not covered by this Warranty. This Warranty is for residential stoves and does not apply to commercial applications. Only failure attributed to normal usage of the electronic and mechanical functions of the stove are covered. Failure due but not limited to, abuse, negligence, impact, fire, lightning, power failures and or surges, rust and corrosion are not covered. Damage and or repairs to cabinets and all exterior components, remote controls, and normal maintenance, related duct work, power surges, electrical spikes or electrical circuit overloads, filters, knobs, glass, gaskets, block and tile etc., are not covered. Additional or unusual utility bills incurred due to any malfunction or defect in equipment listed on this Warranty are not covered. Labor cost of gaining access to or removal of a unit that requires special equipment or tools such as cranes, ladder trucks, etc., are not covered. This Warranty does not include, cleaning, adjustments of the customer controls, customer product education or any other regular service/maintenance functions. Labor, materials, expenses or equipment required to comply with the law and or regulations set forth by any governmental agencies are not covered by this Plan.

## Yarwood 9803 - White Mineral Deposits

One of the byproducts of the combustion process in a gas appliance, is a mineral which can show up as a white film on the ceramic glass on the viewing door. The composition of the deposit varies widely from location to location and also from time to time in the same locations. You may have the problem for a time and then not see it for many months when it will reappear in your area. It seems this is associated with the varying sulfur content of the gas. We have discussed this problem with ceramic glass manufacturers and they cannot give us a definitive answer to this problem. We have input from several dealers who have tried various cleaning products with varying results. We can only make the following recommendations and cannot assure you of the results in your particular case.

- 1) Clean the glass regularly as soon as you notice the buildup (white film). If the film is left for along period of time to build up and bake on it is much harder, if not impossible, to remove.
- 2) **NEVER** use an abrasive cleaner on the ceramic glass. Any abrasion of the surface has the immediate effect of lessening the strength of the glass. An emulsion type cleaner is best.
- 3) Use a soft damp cloth to apply the cleaner. Dry the glass with a soft, dry, preferably cotton cloth. Most paper towels and synthetic materials are abrasive to ceramic glass and should be avoided.
- 4) Our dealers have had good results from the products listed below. We can not however guarantee the results of these products.
  - a) BRASSO
  - b) POLISH PLUS by KEL KEM
  - c) COOK TOP CLEAN CREME by ELCO
  - d) WHITE OFF by RUTLAND

**NOTE: This is a problem beyond BLAZE KING'S control and is not covered under warranty.**

## Yarwood 9803 - Cleaning Your Gas Unit

Your appliance was designed with very low maintenance in mind. At the end of the heating season simply turn the control knob on the gas valve to the "OFF" position and unplug the fan cord. Allow the unit to cool off completely, then vacuum all accessible portions of the unit, including inside of the fire box. (Remove logs and embers first, then place back into position.)

**Note: Use a non-abrasive cleaner such as Windex® for all gold surfaces. DO NOT CLEAN GOLD OR GLASS WHILE HOT!!!!**

**IT IS RECOMMENDED THAT A THOROUGH CLEANING BE PERFORMED BY A QUALIFIED SERVICEMAN**

**NOTE: THERE ARE NO PARTS THAT REQUIRE LUBRICATION ON THIS STOVE**

# COPY OF APPROVAL LABEL

<div style="border: 1px solid black; padding: 5px;"> <p style="text-align: center; font-size: small;">With ANSI National Design Complies Safety Standards</p> <p style="text-align: center; font-weight: bold; font-size: small;">Warrnack Hersey Certified</p> <p style="text-align: center; font-size: x-small;">*Gas Appliance*</p> </div>	<p style="text-align: center;"><b>Listed Gas-Fired Vented Fireplace Heater</b> <b>BLAZE KING YARWOOD 9803</b></p> <div style="border: 1px solid black; padding: 5px; text-align: center; font-weight: bold; font-size: large;">WH -</div> <p style="font-size: x-small;">Certified for U.S. and Canada Certifié pour le Canada et les Etas-Unis</p> <p style="font-size: x-small;">This stove is factory equipped for 0-610m (0-2000 ft) Cette chauffrette est équipée en usine pour une elevation de 0 à 610m (0-2000 pi)</p>	<p style="font-size: x-small;">Natural Gas Gaz Naturel <input type="checkbox"/></p> <p style="font-size: x-small;">Propane Gas Gaz Propane <input type="checkbox"/></p>																				
<p>Tested to ANSI Z21.88.-1998*CSA 2.33-M98, "Gas-Fired Vented Room Heater" also tested to CAN/CGA 2.17-M91 "Gas Fired Appliance for use at High Altitudes" Contrôlée par les normes ANSI Z21.88-1998CSA 2.33-M98 "Chauffrette à ventilation au gaz naturel ou propane"</p>																						
<p><sup>1</sup>Honeywell Valve    <sup>2</sup>Robert Shaw Valve</p>	<p>NATURAL GAS Gaz naturel</p>	<p>LP GAS Gaz propane</p>																				
<p>Input rating (BTU/hr / Kw) 0-610m 0-2000 ft Alt. Evaluation de la consommation (BTU/hr / Kw) 0-610m 0-2000' d'altitude.</p>	33,000	31,500																				
<p>Orifice (DMS) 0-610 m / 0-2000 ft Orifice (DMS) 0-610 m / 0-2000 ft</p>	34	52																				
<p>Input rating (BTU/hr / Kw) 610-1370m 2,000-4,500 ft Alt. Evaluation de la consommation (BTU/hr / Kw) 610-1370m 2000-4500' d'altitude</p>	30,000	29,500																				
<p>Orifice (DMS) 610-1370 m / 2000-4500 ft Orifice (DMS) 610-1370 m / 2000-4500 ft</p>	35	53																				
<p>Maximum Output Fan High (BTU/hr / Kw) Evaluation du rendement avec le ventilateur à vitesse maximale (BTU/hr / Kw)</p>	27,400	26,500																				
<p>Maximum Output Fan off (BTU/hr / Kw) Evaluation du rendement avec le ventilateur arreter (BTU/hr / Kw)</p>	26,000	24,900																				
<p>Minimum Input (BTU/hr / Kw) Consommation minimale (BTU/hr / Kw)</p>	17,000	16,000 <sup>1</sup> 14,000 <sup>2</sup>																				
<p>Manifold Pressure (In w.c. / kPa) Collecteur de pression (In w.c. / kPa)</p>	3.5 / 0.87	11.0 / 2.74																				
<p>Manifold Pressure Lo setting (In w.c. / kPa) Collecteur de pression à bas rendement (In w.c. / kPa)</p>	1.3 / 0.32	3.5 / 0.87 <sup>1</sup> 2.7 / 0.67 <sup>2</sup>																				
<p>Minimum Inlet Pressure (In w.c. / kPa) Entree de pression minimale (In w.c. / kPa)</p>	5.0 / 1.24	12.1 / 3.00																				
<p>This appliance must be installed in accordance with local codes if any: if not follow ANSI Z223.1 and CAN 1-B149 Gas Appliance Installation Code. Cet appareil doit être installé selon les normes locales (si existantes): si non, suivre le code d'installation pour appareils au gaz ANSI Z223.1 et CAN1-B149.</p> <p><b>NOT FOR USE WITH SOLID FUEL. / NE PAS UTILISER AVEC DES COMBUSTIBLES SOLIDES</b> <b>MINIMUM CLEARANCES TO COMBUSTIBLES / ESPACES MINIMUM REQUIS ENTRE L'APPAREIL ET DES MATÉRIAUX COMBUSTIBLES</b></p> <p style="text-align: center; font-size: x-small;">Unit to Sidewall / De l'appareil au mur latéral 25.4 cm (10 in.) Top Grill to Mantel Height / Hauteur minimale du foyer 50.8 cm (20 in.) . 40.6cm (16") Floor protection required. 40.6cm (16") pouces de protection pour le plancher sont risque. For more details, see instruction Manual / Pour plus de détails, voir le mode d'emploi</p>																						
<p>Electrical Rating: 115 Volts, 0.7 Amp, 60 Hz / Consommation électrique: 115 Volts, 0.7 ampère, 60Hz</p>																						
<p><b>DANGER: Risk of electrical shock. Disconnect power before servicing unit. Do not route power cord beneath heater.</b> <b>DANGER: Rique de choc électrique. Débrancher l'appareil avant de le reviser. Ne pas faire passer le fil d'alimentation électrique dessous la chauffrette.</b></p>																						
<p>Manufactured in Canada By: <b>Valley Comfort Systems Inc.</b> Fabriqué au Canada par: 1290 Commercial Way, Penticton, B.C. V2A 3H5 Canada</p>	<p>Manufacture Date: / Date de fabrication:</p> <table style="width: 100%; border-collapse: collapse;"> <tr> <td><input type="checkbox"/> 1999</td> <td><input type="checkbox"/> 2000</td> <td><input type="checkbox"/> 2001</td> <td><input type="checkbox"/> 2002</td> <td><input type="checkbox"/> 2003</td> </tr> <tr> <td><input type="checkbox"/> JAN</td> <td><input type="checkbox"/> FEB</td> <td><input type="checkbox"/> MAR</td> <td><input type="checkbox"/> APRIL/AVRIL</td> <td><input type="checkbox"/> 2004</td> </tr> <tr> <td><input type="checkbox"/> MAY/MAI</td> <td><input type="checkbox"/> JUNE/JUIN</td> <td><input type="checkbox"/> JULY/JUIL</td> <td><input type="checkbox"/> AUGUST/AOÛT</td> <td><input type="checkbox"/> 2005</td> </tr> <tr> <td><input type="checkbox"/> SEPT</td> <td><input type="checkbox"/> OCT</td> <td><input type="checkbox"/> NOV</td> <td><input type="checkbox"/> DEC</td> <td><input type="checkbox"/> 2006</td> </tr> </table>	<input type="checkbox"/> 1999	<input type="checkbox"/> 2000	<input type="checkbox"/> 2001	<input type="checkbox"/> 2002	<input type="checkbox"/> 2003	<input type="checkbox"/> JAN	<input type="checkbox"/> FEB	<input type="checkbox"/> MAR	<input type="checkbox"/> APRIL/AVRIL	<input type="checkbox"/> 2004	<input type="checkbox"/> MAY/MAI	<input type="checkbox"/> JUNE/JUIN	<input type="checkbox"/> JULY/JUIL	<input type="checkbox"/> AUGUST/AOÛT	<input type="checkbox"/> 2005	<input type="checkbox"/> SEPT	<input type="checkbox"/> OCT	<input type="checkbox"/> NOV	<input type="checkbox"/> DEC	<input type="checkbox"/> 2006	<p>Manufactured in U.S.A. By: <b>Blaze King Industries</b> Fabrique' au U.S.A. par: 146 A Street, Walla Walla, Wa. 99362 U.S.A.</p>
<input type="checkbox"/> 1999	<input type="checkbox"/> 2000	<input type="checkbox"/> 2001	<input type="checkbox"/> 2002	<input type="checkbox"/> 2003																		
<input type="checkbox"/> JAN	<input type="checkbox"/> FEB	<input type="checkbox"/> MAR	<input type="checkbox"/> APRIL/AVRIL	<input type="checkbox"/> 2004																		
<input type="checkbox"/> MAY/MAI	<input type="checkbox"/> JUNE/JUIN	<input type="checkbox"/> JULY/JUIL	<input type="checkbox"/> AUGUST/AOÛT	<input type="checkbox"/> 2005																		
<input type="checkbox"/> SEPT	<input type="checkbox"/> OCT	<input type="checkbox"/> NOV	<input type="checkbox"/> DEC	<input type="checkbox"/> 2006																		
Yarlbl.pub																						

## CAUTIONS

### **DO NOT OPERATE APPLIANCE WITH THE GLASS DOOR REMOVED, OPEN, CRACKED, OR BROKEN. REPLACEMENT OF GLASS SHOULD BE DONE BY A LICENSED OR QUALIFIED SERVICE PERSON AS AUTHORIZED BY BLAZE KING. DO NOT ATTEMPT TO REMOVE DOOR OR REPLACE GLASS**

- \* This appliance installation must conform with local codes or, in the absence of local codes, the National Fuel Gas code ANSI Z223.1 (NFPA 54) or CAN/CGA B149 Installation Code.
- \* *((Installer l'appareil selon les codes ou règlements locaux, ou, en l'absence de tels règlements, selon les Codes d'installation CAN/CGA-B149))*
- \* The appliance and its individual shut off valve must be disconnected from the gas supply piping system during any pressure testing of that system at test pressures in excess of 1/2 psi (3.5 kPa)
- \* The appliance must be isolated from the gas supply piping system by closing its individual manual shut off valve during any pressure testing of the gas supply piping system at test pressures equal to or less than 1/2 psi (3.5 kPa).
- \* Should overheating occur or the gas supply fail to shut off, shut off the manual gas valve to the appliance before shutting off the electrical supply.
- \* Do not use substitute materials.
- \* Do not abuse the glass door, such as striking it or slamming it shut.
- \* Do not use abrasive cleaners to clean the glass.
- \* **DO NOT CLEAN GLASS WHILE DOOR IS HOT!!**
- \* **INSERT:** If the unit is installed at the same level as a combustible hearth extension, then R1.1 insulation or better is required at least 16 inches in front of, and spanning the width of the unit. See page 21 for additional hearth protection information.
- \* This gas appliance must not be connected to a chimney flue serving a separate solid fuel burning appliance.
- \* This appliance is equipped with a safety control system designed to protect against improper venting of combustion products.
- \* Periodic examination of the venting systems is required.
- \* If the appliance is installed in the basement, please see local codes before using propane.

### **USE ONLY THE GLASS DOOR CERTIFIED WITH THIS APPLIANCE**

**Insert Units can only be installed in a masonry fireplace or a listed wood burning "0" clearance fireplace.**

### **ELECTRICAL GROUNDING INSTRUCTIONS**

**WARNING:** The appliance, when installed, must be electrically grounded in accordance with local codes or in the absence of local codes with the National Electrical Code ANSI/NFPA 70-1987, or the current Canadian Electrical Code CSA.C22.1

This appliance is equipped with a three prong (grounding) plug for your protection against shock hazard and should be plugged directly into a properly grounded three prong receptacle.

**DO NOT** cut or remove the ground prong from this plug.

**IMPROPER ASSEMBLY AND/OR INSTALLATION OF YOUR BLAZE KING GAS APPLIANCE, OR FAILURE TO OPERATE IT ACCORDING TO THE GUIDELINES DETAILED IN THESE INSTRUCTIONS, WILL VOID THE APPLIANCE WARRANTY AND CAN CAUSE A HOUSE FIRE THAT MAY ENDANGER YOUR FAMILY. FOR YOUR SAFETY, FOLLOW THE ASSEMBLY AND INSTALLATION INSTRUCTIONS CAREFULLY. CONTACT LOCAL BUILDING OR FIRE OFFICIALS ABOUT RESTRICTIONS AND INSTALLATION INSPECTIONS IN YOUR AREA. PLEASE READ THIS ENTIRE MANUAL BEFORE YOU INSTALL AND USE YOUR NEW APPLIANCE.**



## CAUTIONS

Continued ...

**DUE TO HIGH TEMPERATURES, THE ROOM HEATER SHOULD BE LOCATED OUT OF TRAFFIC AREAS AND AWAY FROM FURNITURE OR DRAPERIES. MINIMUM CLEARANCES SHOWN ON PAGE 21 ARE TO PREVENT WALLS AND CEILINGS FROM CATCHING ON FIRE.**

- ◆ Children and adults should be alerted to the hazards of high surface temperatures and should stay away to avoid burns or clothing ignition.
  - ◆ Young children should be carefully supervised when they are in the same room as the appliance.
  - ◆ Clothing or other flammable material should not be placed on or near the appliance.
  - ◆ Any safety screen or guard removed for servicing a room heater must be replaced prior to operating the appliance.
  - ◆ Installation and repair should be done by a qualified service person.
  - ◆ The appliance and venting should be inspected before use by a qualified service person and have inspections by a qualified service person annually.
  - ◆ More frequent cleaning may be required due to excessive lint from carpeting, bedding materials, etc.
  - ◆ It is imperative that control compartments, burners, and circulating air passageways of the appliance are kept clean. (( S'assurer que le brûleur et le compartiment des commandes sont propres. Voir les instructions d'installation et d'utilisation qui accompagnent l'appareil))
  - ◆ To clean the stove, make sure the appliance is off and cold. Then remove the logs and embers and use a vacuum to clean burner and air openings in the bottom and back of the appliance. Replace the logs and embers.
  - ◆ The draft hood must be in the same atmospheric pressure zone as the combustion air inlet.
  - ◆ The flow of combustion and ventilation air must not be obstructed. Adequate clearances must be maintained around the bottom grill. Provide for adequate combustion and ventilation air.
- Do not use this heater if any part has been under water. Immediately call a qualified service technician to inspect the heater and to replace any part of the control system and any gas control which has been under water. *(Ne pas se servir de cet appareil s'il a été plongé dans l'eau, complètement ou en partie. Appeler un Technicien qualifié pour inspecter l'appareil et remplacer toute partie du système de contrôle et toute commande qui ont été plongés dans l'eau)*

## PLANNING YOUR STOVE PLACEMENT

As you plan your installation, consider the following:

The stove should be placed in the home in a position that is as central as possible. Consider safety, convenience, traffic flow, and the fact that the stove will need a venting system.

For the type of vent system to be used, see page 20 for the Insert Kit. Electrical Power is 115-60 HZ. The stove is equipped with a fan assembly that has a six foot electrical cord. Do not route the cord in front of the stove.

## WARNING

**ONLY PERSONS LICENSED TO WORK WITH GAS PIPING MAY MAKE THE NECESSARY GAS CONNECTION TO THIS APPLIANCE. YOU ARE NOW READY TO HOOK UP THE GAS SUPPLY. BE SURE GAS PLUMBING INSTRUCTIONS AND ALL PROVINCIAL AND LOCAL CODES ARE CAREFULLY FOLLOWED. USE APPROVED FLEXIBLE GAS CONNECTIONS OR RIGID PIPING, DEPENDING ON PROVINCIAL AND LOCAL CODES, TO ATTACH BURNER TO GAS SUPPLY. BE SURE TO USE PROPER SIZE GAS SUPPLY LINE. CAREFULLY CHECK ALL CONNECTIONS FOR GAS LEAKS WITH SOAP AND WATER SOLUTION.**

**EACH INSTALLATION MUST CONFORM TO ALL LOCAL, PROVINCIAL AND NATIONAL CODES. REFER TO THE NATIONAL FUEL GAS CODE, LOCAL ZONING AND CODE AUTHORITIES FOR DETAILS ON INSTALLATION REQUIREMENTS. BLAZE KING APPLIANCES MUST BE VENTED TO THE OUTSIDE IN ACCORDANCE WITH THE LATEST EDITION OF THE NATIONAL FUEL GAS CODE. IN THE ABSENCE OF LOCAL CODES, THE INSTALLATION MUST CONFORM WITH NATIONAL FUEL GAS CODE ANSI Z223.1, ALSO KNOWN AS NFPA 54, OR CAN 1-B149.**

# Yarwood 9803 - Flush Mount Insert Parts Description & Assembly Instructions

**CAUTION: ONLY TRIM KITS SUPPLIED BY THE MANUFACTURER CAN BE USED IN THE INSTALLATION OF THIS APPLIANCE**

**DRAFT RELIEF OPENINGS MUST NOT BE COVERED OR BLOCKED!**

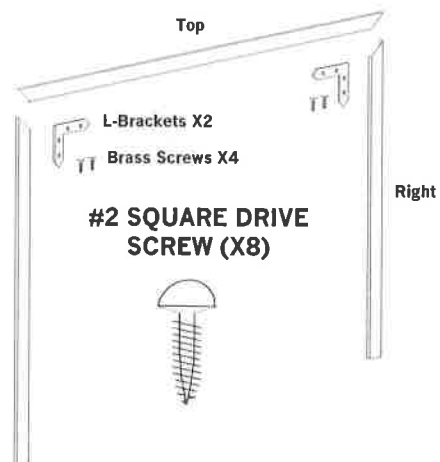
**TOP GRILL  
PART#9811**



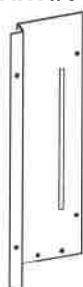
**BOTTOM GRILL  
PART#9814**



**TRIM PACK  
PART# 0845**



**LEFT INSIDE PANEL  
PART#9850L**



**RIGHT INSIDE PANEL  
PART#9850R**



**Important Note:**

**REMOVE ALL PROTECTIVE COATING FROM GOLD AFTER SHROUD INSTALLATION IS COMPLETED BUT PRIOR TO FIRING THE STOVE!**

NOTE: The firebox is factory wired with left side power cord exit, if the right side exit is required, see wiring diagram on page 19 for information on alternate wiring. Slide the firebox into the fireplace, make gas connection and check thoroughly for leaks as directed on page 12. If necessary, the draft hood can be removed from the firebox for connection to the flex liner. Reattach drafthood to the firebox while sliding firebox into opening.

Shroud must be installed only after all the venting and gas connection is completed

*Hint:* Wrap a piece of tape around the shaft of the screwdriver you will be using to prevent scratching the gold finish. Also wrap shrink wrap on the outside edge of the gold door

**To install:**

1. First remove the left inside panel if still attached to the shroud.
2. Install the rheostat to the left inside panel. See enclosed electrical diagram for model 9803 and 9805 corresponding.
3. Install the label bracket onto the back of the left inside panel using 2 - #10 screws
4. Attach left inside panel to the stove using one screw in to the side of the firebox.
5. Carefully place the shroud in front of the door and Run the ac power cord to the left side and knock out the pre punch portion if no hole is present of the lower left side trim. Note the strain relief will be installed later .
6. Hookup the valve wire to the main burner switch on the right top corner see diagram included in this instruction set.
7. Place the 2 wooden spacer blocks supplied at each end and on top of the firebox door as shown with arrows below (a piece of tape may be used to keep these spacers in place). These blocks are used to set the gap around the door. After setting these blocks in place slide the shroud carefully over the door and center from left to right and secure with # 10 screws see picture on page 11 for location
8. Install the strain relief on the power cord
9. Remove all protective coating from gold plated surface and glass and clean finger prints before lighting unit.

## LOG ASSEMBLY

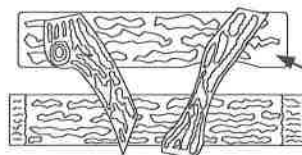
**BACK LOG**



**FRONT LOG**



**TOP VIEW OF LOG ASSEMBLY**



**BACK LOG**



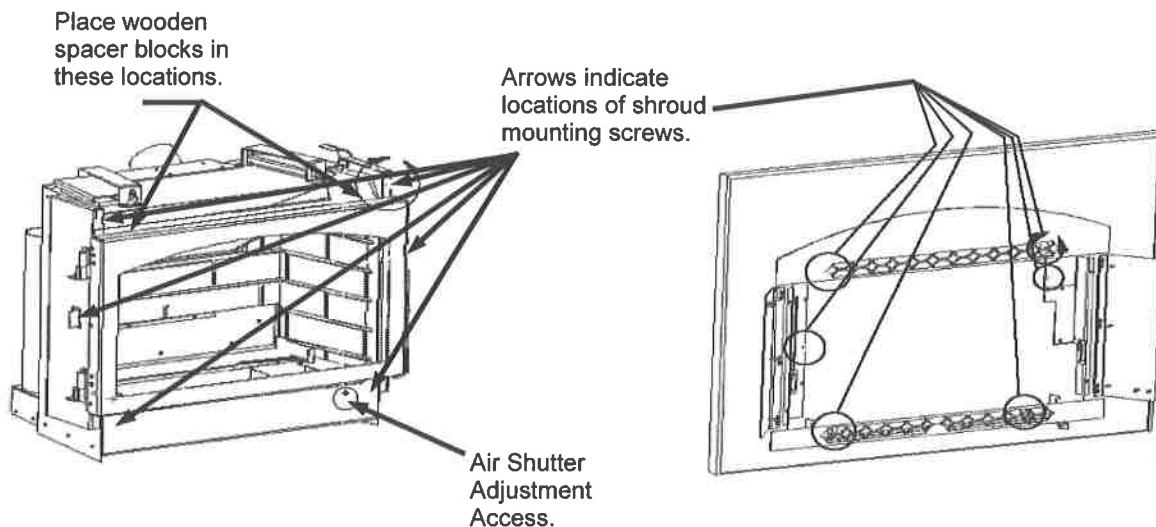
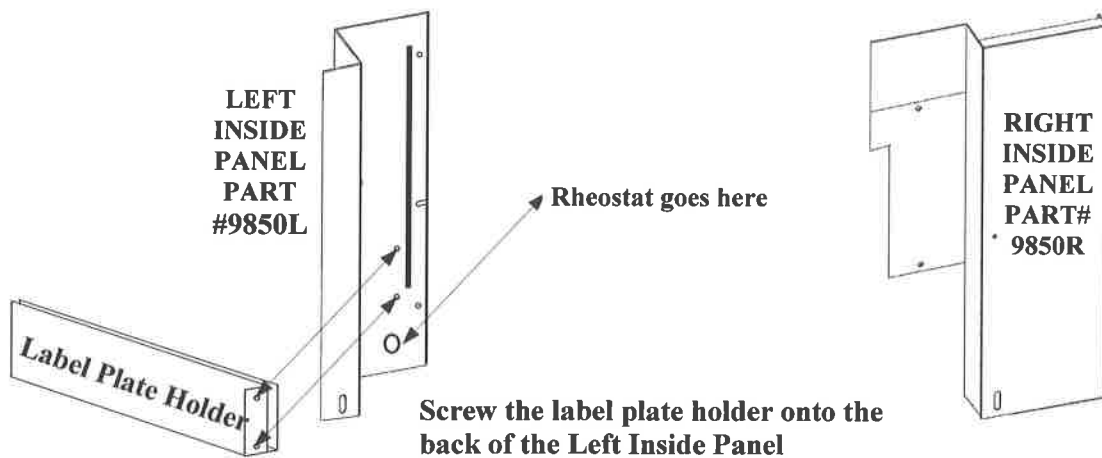
**LEFT TWIG**



**RIGHT TWIG**

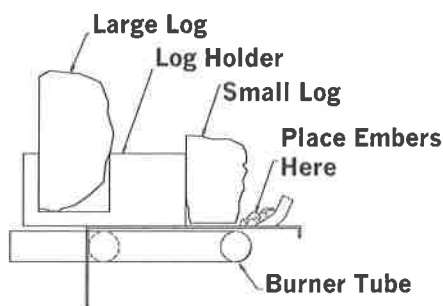
# Yarwood 9803 - Flush Mount Insert Assembly Instructions

Continued ...



## LOG SET POSITIONING

**WARNING: DANGEROUS OPERATING CONDITIONS MAY OCCUR IF THESE LOGS ARE NOT POSITIONED IN THEIR PROPER LOCATIONS. READ THE LOG PLACEMENT INSTRUCTIONS ON THE PREVIOUS PAGE CAREFULLY AND REFER TO THE DIAGRAM BELOW.**



**EMBER PLACEMENT:** Place embers directly on the front burner tube, leaving a 1/4" gap between the front log and the embers. Do not cover up 1/4" holes. Use embers sparingly. Save leftover embers for future use

# GAS CONNECTION

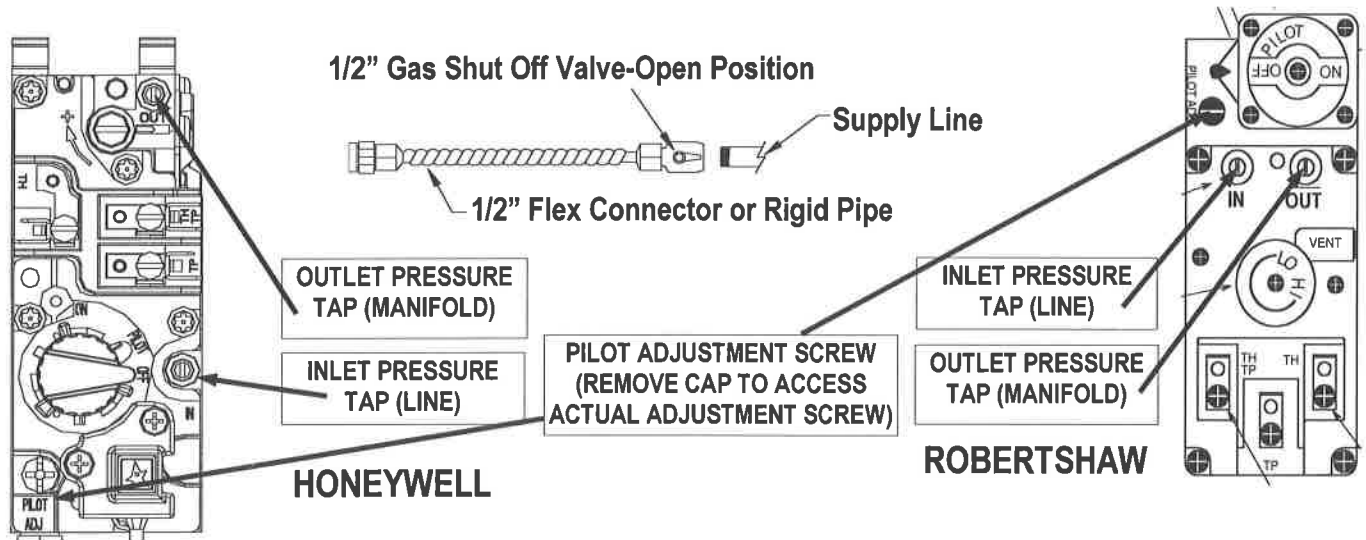
Make sure to follow all provincial and local codes. It is recommended by Blaze King that gas connections be made by a Licensed and qualified installer. The appliance can be connected to the supply line with either rigid or approved flexible gas connection. Check with provincial and local codes.

## PIPING DETAIL

**NOTE: DO NOT DAMAGE OR KINK THE FLEX CONNECTOR. CHECK FOR GAS LEAKS WITH SOAP AND WATER SOLUTION. 1/2 INCH FLEX OR RIGID PIPING MAY BE USED TO CONNECT THE GAS SUPPLY TO THE UNIT DEPENDING ON STATE, PROVINCIAL, AND LOCAL CODES.**

## GAS SUPPLY PRESSURE

NATURAL GAS.....7 inch w.c. recommended 5.5 min / 10.5 max  
LP GAS.....13.0 inch w.c. recommended 12.4 min / 13.0 max



Note manifold pressures listed above. **Read lighting instructions** Cycle unit on, back out brass screw a FEW turns in the appropriate pressure test nipple as indicated below. Test for appropriate range, if regulator is not properly set, replace.



## Yarwood 9803 - Conversion LP or Natural Gas

"This conversion kit shall be installed by a qualified service agency in accordance with the manufacturer's instructions and all applicable codes and requirements of the authorities having jurisdiction. If the information in these instructions is not followed exactly, a fire, explosion or production of carbon monoxide may result causing property damage, personal injury or loss of life. The qualified service agency is responsible for the proper installation of this kit. The installation is not proper and complete until the operation of the converted appliance is checked as specified in the owner instructions supplied with the kit."

Cet équipement de conversion sera installé par une agence qualifiée de service conformément aux instructions du fabricant et toutes exigences et codes applicables de l'autorités avoir la juridiction. Si l'information dans cette instruction n'est pas suivie exactement, un feu, explosion ou production de protoxyde de carbone peut résulter le dommages causer de propriété, perte ou blessure personnelle de vie. L'agence qualifiée de service est esponsable de l'installation propre de cet équipement. L'installation n'est pas propre et complète jusqu'à l'opération del'appareil converti est chèque suivant les critères établis dans les instructions de propriétaire provisionnées avec l'équipement.

### **HIGH ALTITUDE STATEMENT**

This unit has been tested for installations at a high altitude (1370 meters or higher) in accordance with Canadian test standard CAN/CGA-2.17. Higher altitudes effect their atmospheric pressure and heat value of gaseous fuels. When installing this unit a high altitudes, the rated input will be lower than at sea level. The lowered oxygen content in the air and lowered gas density requires installing a different orifice in order to achieve clean combustion of the unit. Consult the unit data plate for proper high altitude orifice size, and fill out the information sticker attached to the unit when field converting.

**CAUTION: The gas supply shall be shut off prior to disconnecting the electrical power and before proceeding with the conversion.**

Honeywell conversion kit should include: Regulator Screw, Main Burner Orifice, Air Shutter, & Pilot Orifice.

Robertshaw conversion kit should include: Regulator, Main Burner Orifice, Air Shutter, & Pilot Orifice.

## Yarwood 9803 - Conversion Robertshaw Valve LP or Natural Gas

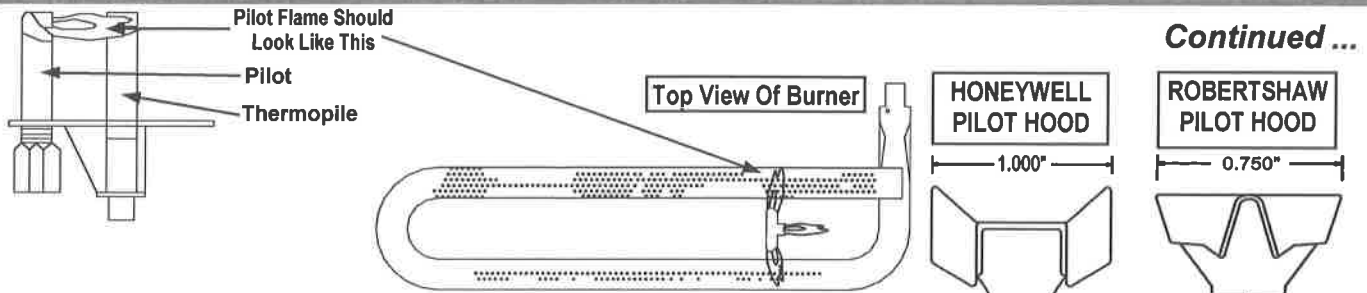
1. Remove the 2 screws holding the regulator plate. Remove regulator and gasket. Position new gasket over pins and install new regulator with notched corner up.
2. Open viewing door, remove logs and embers.
3. Locate the two #2 square drive screws securing the log tray to the firebox bottom. Remove screws and pull out both the log tray and burner tube.
4. Remove the screw on the burner tube and replace the air shutter. (Note that the Natural Gas air shutter is stamped w/ "1/4", Propane is stamped with 400.)
5. Change the main burner orifice by unthreading the existing orifice with a 1/2 inch wrench. Replace with an appropriate orifice.
6. Change the pilot orifice by unthreading the compression nut on the pilot tube, pull the tube out of the pilot, and replace the pilot orifice. It is helpful to apply thread sealant to the fitting before securing the pilot line.
7. Install tray and logs.

## Yarwood 9803 - Conversion Honeywell Valve LP or Natural Gas

1. Remove the grey plastic cap from the colored screw on the regulator knob. Back out colored screw and replace with different colored screw provided in kit. NOTE: Red is LP, Blue is Natrual Gas
2. Open the front access door.
3. Remove embers and logs.
4. Lift front of burn tray and remove through door.
5. Using a 1/2" wrench, break the compression fitting loose on the pilot line.
6. Locate the 2 screws securing the pilot assy to the bottom of the fire box. Remove screws. Unthread the fitting the rest of the way, remove and replace pilot orifice
7. Change the main burner orifice by unthreading existing orifice from fitting with 1/2 inch wrench. Replace with an appropriate orifice.
8. Reverse steps 1 to 7 to complete conversion.
9. Fill in the conversion label on the label plate with the conversion information and fill out the label #0630 that came with the conversion kit and place it on the inside of the side door near the valve.

**WARNING: Each connection must be instrument checked or soap checked for leaks with gas pressure on.**

# Yarwood 9803 - Conversion Robertshaw Valve LP or Natural Gas

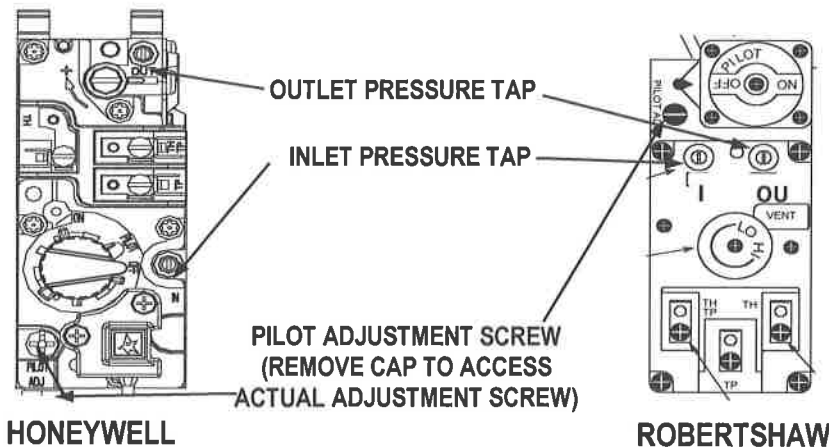


Continued ...

	NATURAL GAS	LP GAS
Manifold Pressure (In w.c. / kPa)	3.5 / 0.87	11.0 / 2.74
Collecteur de pression (In w.c. / kPa)		
Manifold Pressure Lo setting (In w.c. / kPa)	1.3 / 0.32	2.7 / 0.67
Collecteur de pression à bas rendement (In w.c. / kPa)		
Minimum Inlet Pressure (In w.c. / kPa)	5.0 / 1.24	12.1 / 3.00

Note manifold pressures listed above. **Read lighting instructions** Cycle unit on, back out brass screw a FEW turns in the appropriate pressure test nipple as indicated below. Test for appropriate range, if regulator is not properly set, replace. Stick conversion marking on the panel inside the right door, just above the valve. Fill out conversion information on label inside of the left door on unit.

**ADJUST PILOT AS NECESSARY, SEE ILLUSTRATION ABOVE FOR PROPER SIZE AND LOOK OF PILOT LIGHT.**



## Yarwood 9803 - Orifice Sizing Chart

For installations from 2,000 ft. to 4500 ft. (610M to 1370M) the orifice sizes (DMS) for natural and propane gas are 35. and 53 respectively. See data plate for additional information. For high altitude installations consult the local gas distributor, or the authority having jurisdiction, for proper rating methods. If the installer must convert the unit to adjust for varying altitudes, the information sticker must be filled out by the installer and adhered to the appliance at the time of conversion.

((Cet appareil est équipé pour des altitudes comprises entre 0 et 2000 pieds (0-610m) seulement))

Equivalent Orifice Sizes at High Altitudes  
(Includes 4% input reduction for each 1,000 feet)

### NATURAL GAS ORIFICE SIZE REQUIRED AT OTHER ELEVATIONS

This chart is based on gas with **1000 BTU Per Cubic Foot.**

Orifice size for 'THE YARWOOD' at:

Sea Level	2000	3000	4000	5000	6000	7000	8000	9000	10000
34	35	35	35	36	37	37	37	38	38

### PROPANE ORIFICE SIZE REQUIRED AT OTHER ELEVATIONS

This chart is based on gas with **2500 BTU Per Cubic Foot.**

Orifice size for 'THE YARWOOD' at:

Sea Level	2000	3000	4000	5000	6000	7000	8000	9000	10000
52	53	53	53	54	55	55	55	56	56

Check with local gas company for **BTU content** and correct orifice accordingly.

# Yarwood 9803 - Lighting Preparation

## FOR YOUR SAFETY - READ BEFORE LIGHTING

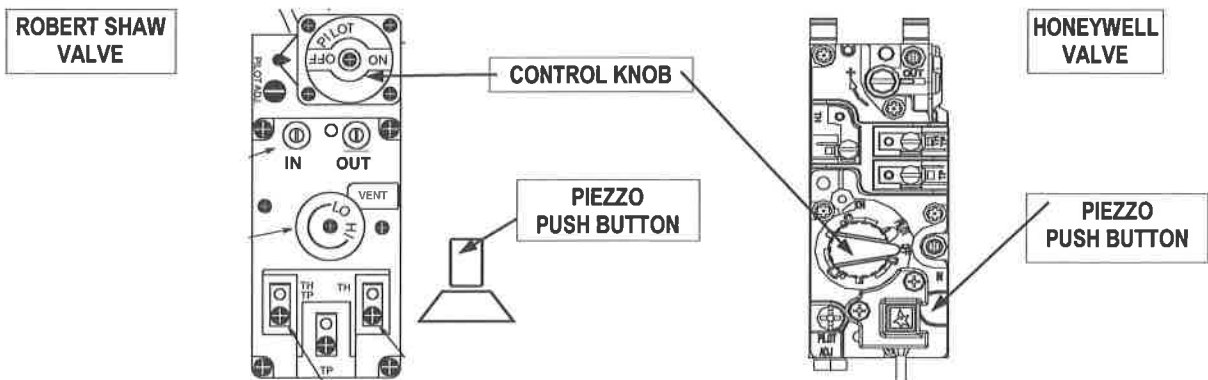
### WARNING

**If you do not follow these instructions exactly, a fire or explosion may result causing property damage or personal injury.**

- A. This appliance has a pilot that is lit with a push button Piezo lighter. When lighting the pilot, follow these instructions exactly.
- B. BEFORE LIGHTING smell all around the appliance area for gas. Be sure to smell next to the floor because some gas is heavier than air and will settle on the floor.
- WHAT TO DO IF YOU SMELL GAS:**
- \* OPEN WINDOWS
  - \* DO NOT TOUCH ANY ELECTRIC SWITCH; DO NOT USE ANY PHONE IN YOUR BUILDING
  - \* EXTINGUISH ANY OPEN FLAME
  - \* IMMEDIATELY CALL YOUR GAS SUPPLIER FROM A NEIGHBOR'S PHONE AND FOLLOW THE GAS SUPPLIER'S INSTRUCTIONS
  - \* IF YOU CANNOT REACH YOUR GAS SUPPLIER, CALL THE FIRE DEPARTMENT
- C. Using only your hand, push in or turn the gas control knob. Never use tools. If the knob will not push in, turn by hand. Do not try to repair it; call a qualified service technician. Force or attempted repair may result in a fire or explosion.
- D. Do not use this appliance if any part has been under water. Immediately call a qualified service technician to inspect the appliance and replace any part of the control system or gas control which has been under water.

## Yarwood 9803 - Lighting Instructions

1. **STOP! Read the safety information above.**
2. Set the optional wall thermostat to lowest setting, or turn appliance switch off.
3. Controls are accessed by opening the right side door panel.
4. Turn the rocker switch to OFF.
5. Push in the gas control knob slightly and turn clockwise to OFF.



**NOTE:** The knob cannot be turned from PILOT to OFF unless the knob is pushed in slightly. DO NOT FORCE.

6. Wait five (5) minutes to clear out any gas. If you smell gas STOP! follow step B in the safety information on the previous page. If you do not smell gas, go to step 7.
7. Turn Control Knob counter clockwise to PILOT position.
8. Depress control knob and push in the Piezo ignitor button. Once pilot ignites, continue to hold the control knob in for about one (1) minute after the pilot is lit. Release the knob and it will pop back up. Pilot should remain lit. If it goes out, repeat step
  - \* If the knob does not pop up when released, stop and immediately call your service technician or gas supplier.
  - \* If the pilot will not stay lit after several tries, turn the gas control knob to OFF and call your service technician or gas supplier.
9. Turn the gas control knob counter clockwise to ON. Turn on all electric power to the appliance. Set the thermostat to desired setting.



## Yarwood 9803 - Lighting Instructions (continued...)

**NOTE: IF THERMOSTAT IS TO BE USED, THE STOVE ON/OFF SWITCH SHOULD BE IN THE OFF POSITION. IF SWITCH IS LEFT ON, THE STOVE WILL CONTINUE TO RUN.**

TO TURN OFF GAS APPLIANCE:

1. Set the thermostat to lowest setting.
2. Turn off all electric power to the appliance if a service is to be performed.
3. Push in the gas control knob slightly and turn clockwise to OFF. **DO NOT FORCE.**

### ATTENTION!

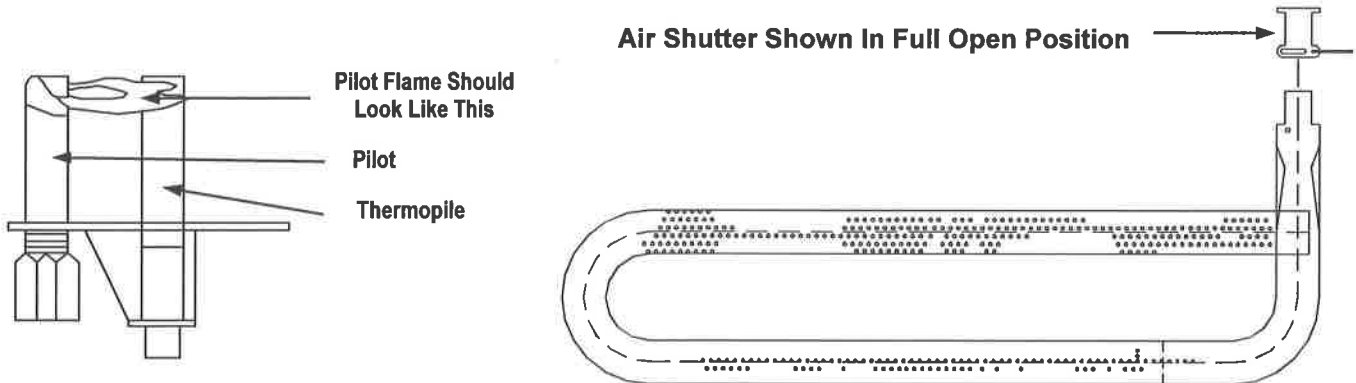
**Honeywell valves are equipped with a safety shut off device, once the control knob is turned off, it will lock into place until the thermopile cools down. (Approx. 3 minutes)**

## Yarwood 9803 - Gas Flame Adjustment

The proper air shutter position are factory set for **Natural Gas** or **Liquid Propane** in the **full open** position for maximum efficiency.

To convert your stove from **Natural Gas** or **Liquid Propane**, you will require a fuel conversion kit from your nearest dealer.

**THESE SHUTTER SETTINGS ARE APPROXIMATE, THE UNIT SHOULD BE ALLOWED TO BURN FOR ABOUT 10 MINUTES BEFORE ADJUSTING THE FLAME SIZE AND COLOR. SOOTING MAY APPEAR ON THE LOGS OR GLASS IF THE AIR SHUTTER IS CLOSED TO MUCH. OPENING THE AIR SHUTTER WILL REDUCE SOOTING.**



The pilot flame must envelope approximately 1/2 of the Millivolt Generator. It must burn clean. All parts must be lit. If there are any problems, contact your serviceman.

Periodic checking of the flame pattern is necessary. The flame should look approximately like the picture. The base of the flame must not rise above the burner plate.

## Yarwood 9803 - Starting The Stove For The First Time

**Fumes** and smoke may come from your stove. This is perfectly normal, and is a result of the paint and oily residue curing and burning off on different parts of the stove. Blaze King burns each stove at the factory prior to shipment, but there may be areas that are not fully cured. It is suggested that the stove be left burning with the fans off for a period of 2-3 hours and that the building be properly vented during the process.

**Condensation** will usually appear on the inside of the glass when the stove is turned on. This is a normal reaction, and will clear up shortly.

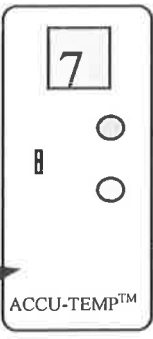
**Blue Flames** initially the flames will be blue but will eventually become yellow as the stove warms up.

# Yarwood 9803 - Starting The Stove For The First Time (continued...)

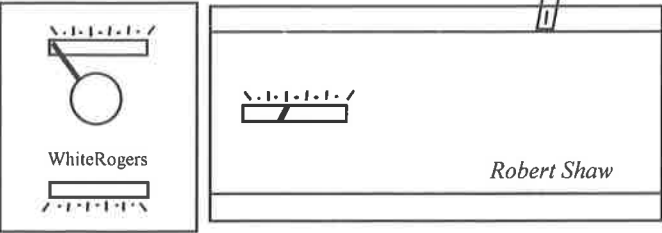
## TURNING THE STOVE ON AND OFF

After the pilot has been established...

The optional Accu-Temp Remote Control Thermostat can be used for wireless control of the stove. The manual switch **must** be in the off position.



Use this switch to turn the stove on and off manually.

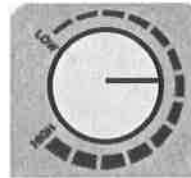


One of these two Millivolt Thermostats come standard with every Direct Vent. It mounts on the wall and is wired directly to the stove valve. The manual switch **must** be in the off position.

**NOTE: If using either one of the thermostat controls, the manual switch must be in the OFF position. If it is left ON, the stove will continue to run and the thermostats will have NO control over the stove.**

### ADJUSTING BLOWER SPEED

Your stove comes equipped with a Standard Dual Squirrel Cage Fan. This fan helps distribute the heat produced by the stove. As long as your rheostat control knob is not set to the off position, the fan will automatically come on approximately 10 minutes after the stove has been turned on. It will continue to run until the stove has cycled off and cooled down or until you turn the knob to the off position.



This is the Rheostat Knob. It controls the fan speed. The fan can be completely turned off, with this speed switch.

### ADJUSTING THE FLAME HEIGHT

To adjust the height of the flame, simply turn the silver HI/LO knob (Pressure Regulator) located on the valve. Turn the knob clockwise to increase flame height, and counter clockwise to decrease.

## CAUSE AND AFFECT

SYMPTOM	POSSIBLE CAUSE	SOLUTION
Burner will not turn on.	Control knob is in pilot position Low millivolts	Turn knob to "on" position Call technician
Burner will not turn off	Manual burner switch is left in the on position  Thermostat is set too high	Turn switch off (stove will not cycle with wall Thermostat when manual burner switch is left in the on position) Turn down thermostat
Fan will not turn on	Stove is not hot enough Fan cord is not plugged in Bad F-200 snap disk Bad Rheostat	Wait for 10 minutes until the Fan Snap Disk is tripped Plug in fan cord Call technician Call technician
Glass has black soot on the inside	Air shutter is closed too far Wrong size burner orifice Too much gas pressure	Open air shutter Call technician Call supplier/technician
White film on inside of glass	Presence of mineral deposits	Use Rutland White Off® or appropriate non-abrasive cleaner

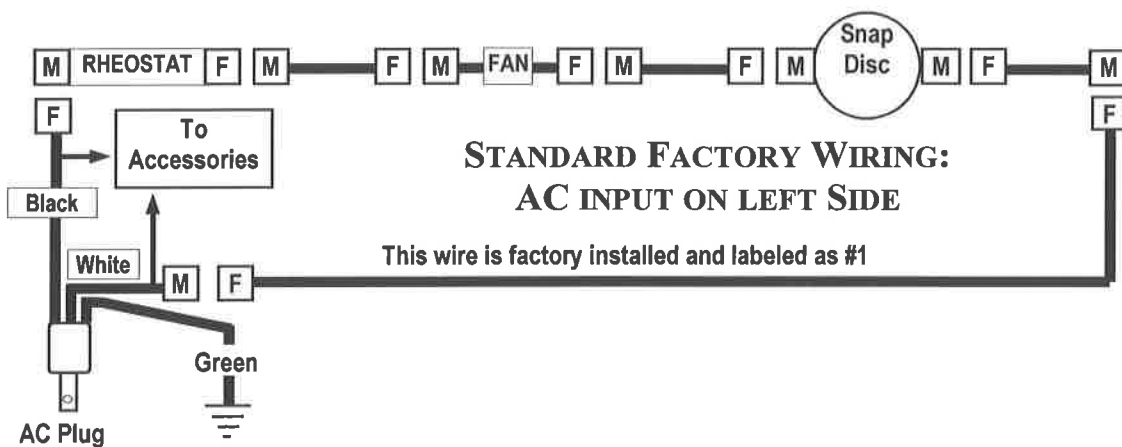
# Yarwood 9803 - Wiring Diagram

**CAUTION: LABEL ALL WIRES PRIOR TO DISCONNECTION WHEN SERVICING CONTROLS. WIRING ERRORS CAN CAUSE IMPROPER AND DANGEROUS OPERATION**

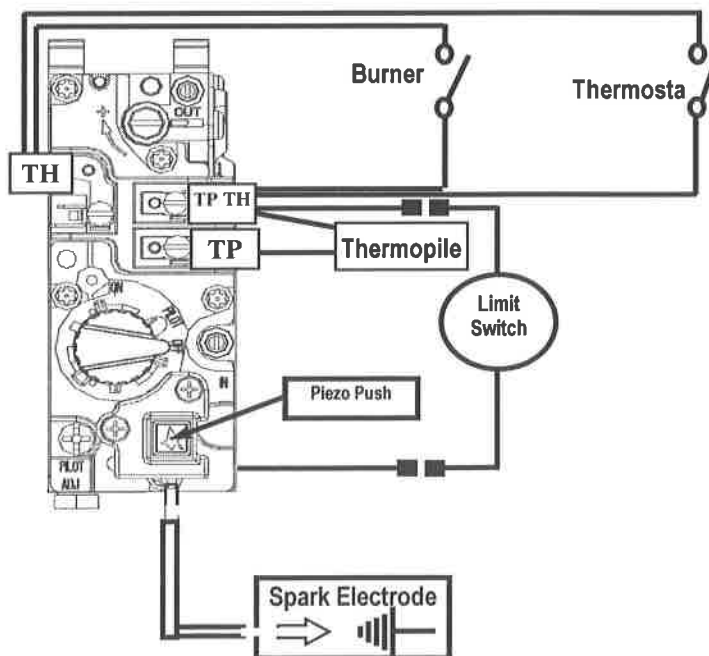
***“Attention: Au moment de l’entretien des commandes, étiquetez tous les fils avant le débranchement. Des erreurs de câblage peuvent entrainer un fonctionnement inadéquat et dangereux.”***

## Wiring diagrams of the AC for 9803 model

Yarwood insert fire box is wired at the factory for left side. You may want to change the cord and rheostat from one side to the other to accommodate the particular set up. In this system all the components are in series and must be used to maintain it’s functionality, but the order of the components could be varied with the use of the same wires .



## 9803 wiring Millivolt Honeywell valve



# Yarwood 9803 - Replacement Parts List

<u>PART NAME:</u>	<u>PART #</u>
1. Back Log	9867
2. Front Log	9868
3. Fiber Embers	0745
4. Gas Valve (Robert Shaw) Nat.	0718A
Gas Valve (Honeywell)	0720
5. Piezzo Push Button Igniter (R/S only)	0737
5a. Main Burner Switch	0725
6. Right Twig (not pictured)	9869R
Left Twig (not pictured)	9869L
7. Wall Thermostat (not pictured)	0736
8. Squirrel Cage Fan	0719B
9. Rear Brick Panel (not pictured)	9865
9a. Left Brick Panel (not pictured)	9866-L
9b. Right Brick Panel (not pictured)	9866-R
10. F - 130 Fan Snapdisk	1144AA
11. L - 260 Spill switch	1147
12. Rheostat c/w Knob (not pictured)	Z0137A
13. Thermopile Generator (not pictured)	0721A
14. Electrode c/w Wire (not pictured)	0738B

