



Blaze King

## Gas Products

Freestanding  
Fireplace Inserts  
Fireplaces



[www.blazeking.com](http://www.blazeking.com)



Clarity 26 with River Washed log set.

## CLARITY 26 Freestanding

### Design

Our unique “infinity flame” is created by the use of a black glass floor, mirrored glass sides, and a sand dune rear panel. You can choose this modern look or further enhance the flame by choosing a traditional log set or customize your own fireplace artwork design.

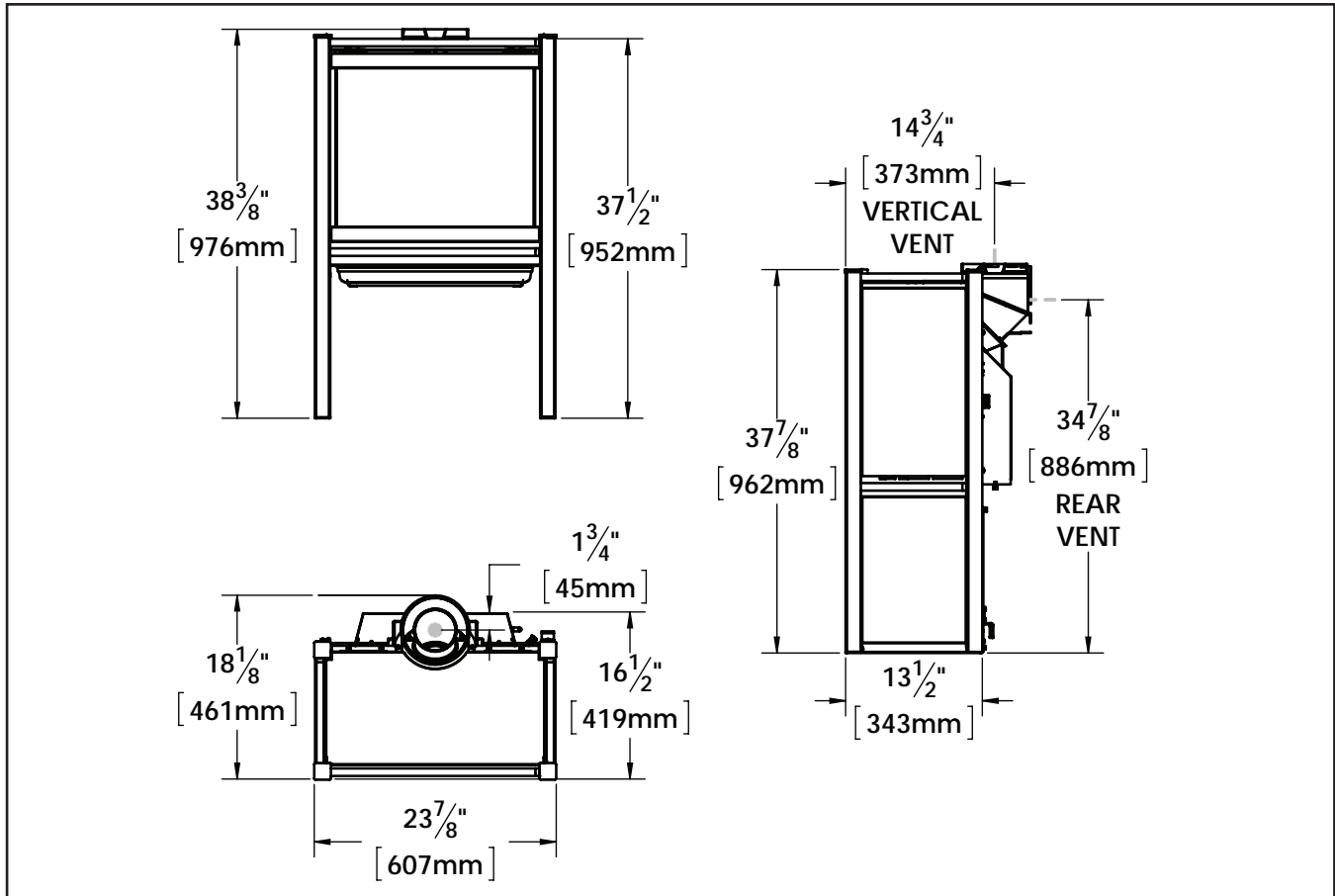
### Function

The CL26 is available with standing pilot (SP) or intermittent pilot (IPI) with thermostat remote control. The CL26 (IPI) is smart home ready. The large glass area is 21” x 18”. At 26,900 BTU’s the CL26 is a great heater. Our crescent shaped burner system has a 50% heat turn down allowing you to control the heat and the look of the flame. An optional fan system is available to help move the warmth throughout your home.



Clarity 26 with “In the Woods” firebox artwork. Unit shown with pedestal rear cover in place.

## Dimensions



## Specifications

BTU Maximum Input	26,900
Square Feet Heated	700 - 1600
Glass Size	21"W x 18"H
Valve Configuration	Standing Pilot or IPI
P.4 EnerGuide Efficiency (NG)	64.49% (SP) 65% (IPI)
P.4 EnerGuide Efficiency (LP)	59.41% (SP) 61% (IPI)
Steady State Efficiency (NG)	67.29% (SP) 67.29% (IPI)
Steady State Efficiency (LP)	65.75% (SP) 65.75% (IPI)
Heat Turn Down	50%

## Options

- "In the Woods" firebox artwork
- "River Washed" logset
- "City Scape" firebox artwork
- Fan System
- Smart Home Receiver (IPI)

## Features

- Reflections Burner System
- "Sand Dunes" ceramic rear liner
- Mirrored firebox liners
- Black Glass firebox floor
- Integrated "Invisimesh" safety screen
- Non Reflective door glass

- Unique Black and Cast Gray paint
- Unique Stainless Steel accents
- Removable pedestal rear cover
- Hidden Gas and Electrical connections
- Top Vent or Rear Vent options
- Choice of firebox artwork
- Log set option



Clarity 2714 with optional  
7 piece log set

## CLARITY 2714 Fireplace Insert

### Design

This unique linear style insert is designed to fit most fireplace openings yet deliver the largest viewing area possible. You can choose between a modern look, a more traditional log set design or use custom firebox artwork to make your insert uniquely yours. The crescent shaped burner, mirrored sides and black glass floor creates our unique infinity flame design. Optional shrouds are available to suite any fireplace opening.

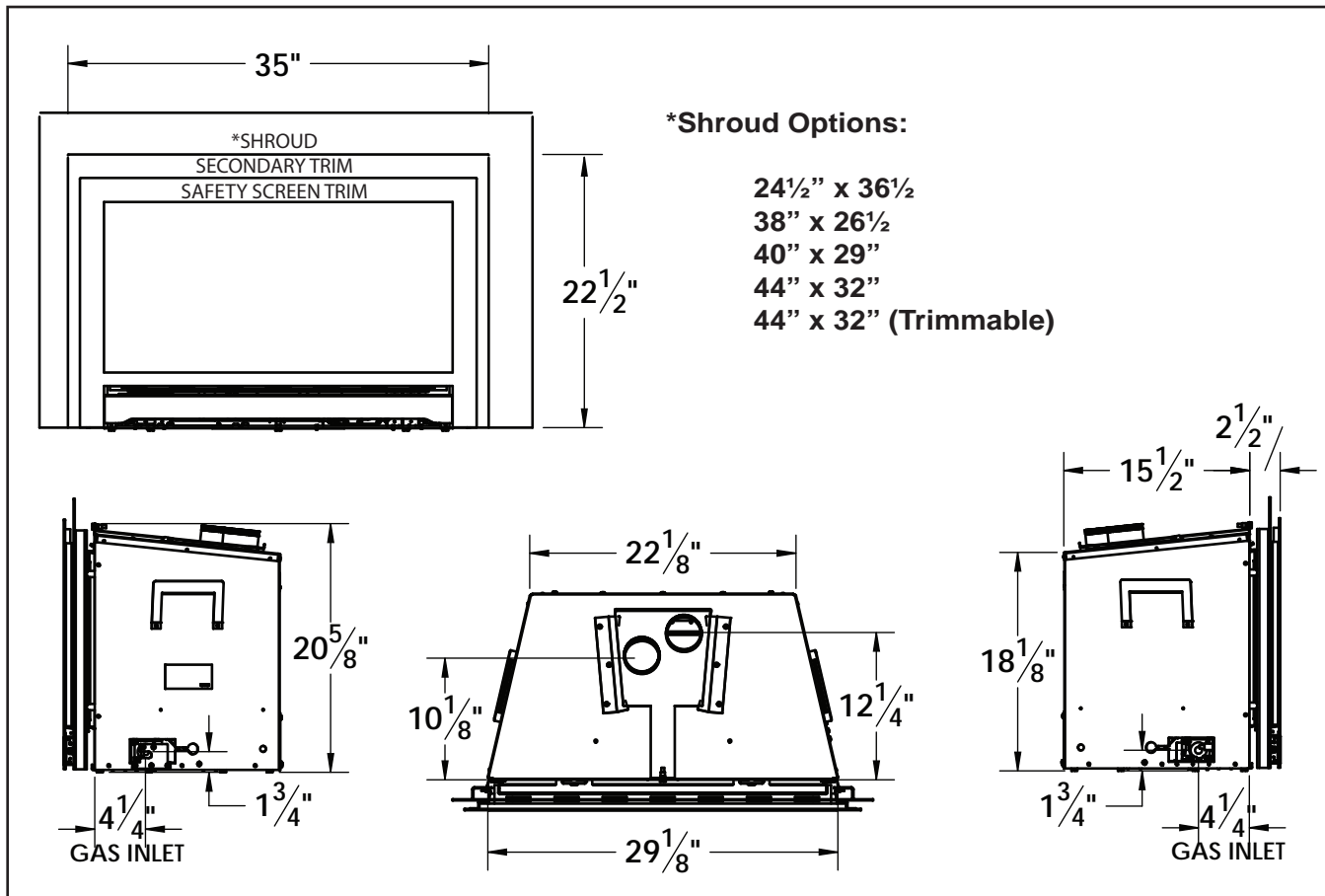
### Function

At 24,682 BTU's, the CL2714 is a powerful heater and is available with standing pilot or thermostat remote control functions. Our IPI valve system comes with a standard, wall mount or table top remote control and is smart home ready (IPI). The Clarity 2714 burner system has a 50% heat turn down and an optional fan system is available to help move the warmth in your home.



Clarity 2714 with Optional Black Glass floor option.

## Dimensions



## Specifications

BTU Maximum Input	24,682
Square Feet Heated	600 - 1200
Glass Size	27"W x 18"H
Valve Configuration	Standing Pilot or IPI
P.4 EnerGuide Efficiency (NG)	61.12% (SP)* 63.82% (IPI)*
P.4 EnerGuide Efficiency (LP)	60.91% (SP) 64.63% (IPI)*
Steady State Efficiency (NG)	66.87% (SP) 66.87% (IPI)
Steady State Efficiency (LP)	69.48% (SP) 69.48% (IPI)
Heat Turn Down	50%

### \*EnerChoice Rated.

An EnerChoice designation is granted to models that meet the efficiency thresholds that indicate the most efficient models in its category.

## Options

- "City Scape" Firebox Artwork
- "In the Woods" Firebox Artwork
- Custom Firebox Artwork
- "River Washed" log set
- Fan System
- 29" x 40" Shroud
- 32" x 44" Trimmable Shroud
- Smart Home Receiver (IPI)

## Features

- Picture frame shroud system
- Reflections Burner System
- Integrated "Invisimesh" safety screen
- Non Reflective door glass

- Customize your fireplace insert
- Optional shroud sizes
- Optional Black Glass rear liner with wave pattern
- Optional Black Glass floor option
- Optional Mirrored firebox liners
- Choice of firebox artwork
- 2 log set options
- Smart home ready



Clarity 2118 with shroud for hearth mount install

## CLARITY 2118 Fireplace

### Design

The Clarity 2118 is designed to fit into a modern home where space is a premium. It can be installed like a traditional fireplace or raised slightly higher in a wall. Our unique “Reflections Burner System” features black floor glass, mirrored side glass, “Sand Dunes” rear liner and a crescent shaped burner. Decorative options include a choice of river washed logs or a custom stainless steel firebox artwork that can make this fireplace uniquely yours.

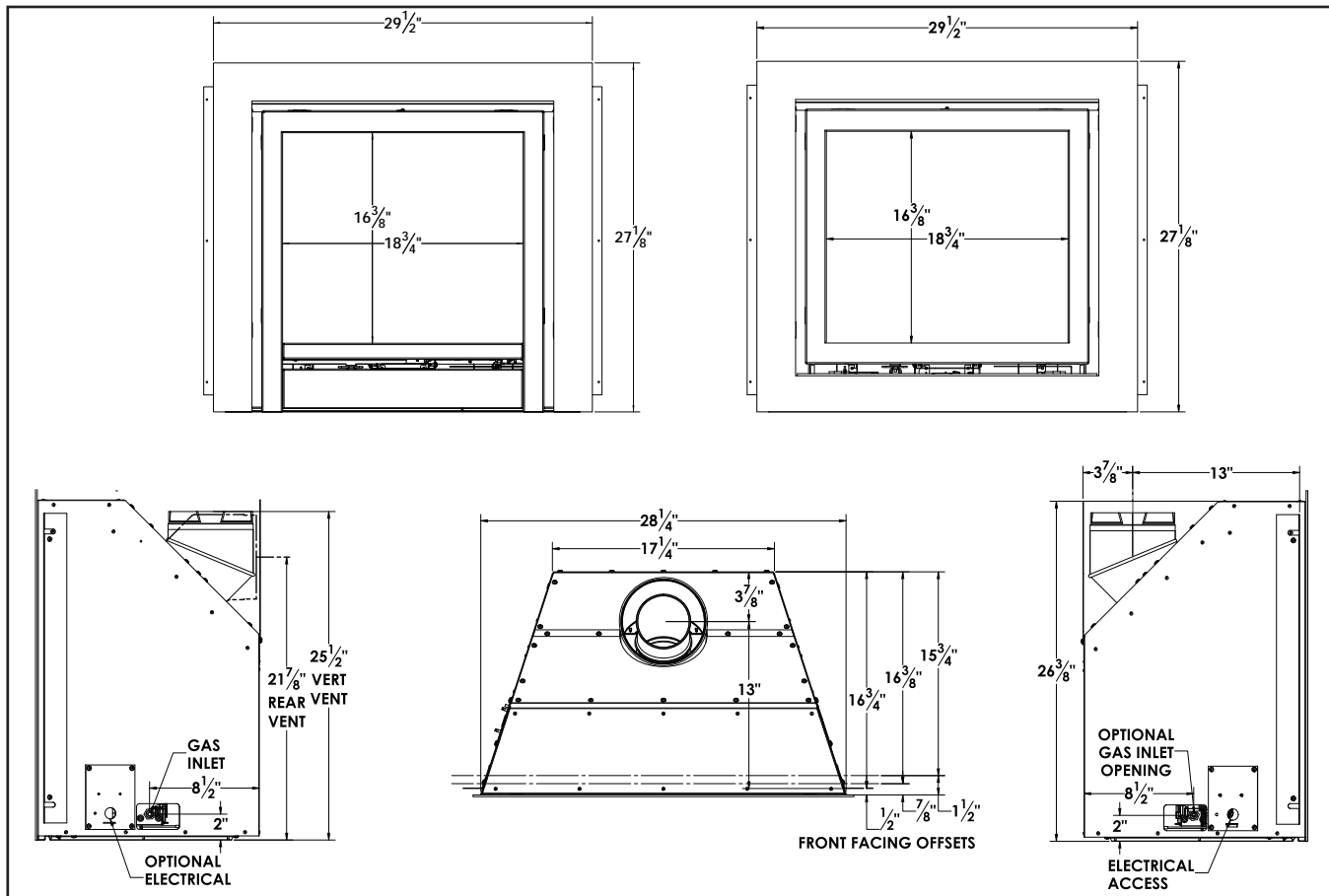
### Function

The CL2118 is powerful with 27,300 BTU’s of heat and able to turn down by 50%. It is available in standing pilot or fully programmable IPI configuration with the ability to turn the flame and heat down by up to 50%. The fireplace features a large viewing area of 21” x 18”. An optional fan system is available to help move the warmth in your home.



Clarity 2118 with shroud for raised install

# Dimensions



## Specifications

BTU Maximum Input	27,300
Square Feet Heated	600 - 1200
Glass Size	21"W x 18"H
Valve Configuration	Standing Pilot or IPI
P.4 EnerGuide Efficiency (NG)	60.72% (SP) 62.04% (IPI)*
Steady State Efficiency (NG)	66.72% (SP) 66.72% (IPI)
Heat Turn Down	50%

### \*EnerChoice Rated.

An EnerChoice designation is granted to models that meet the efficiency thresholds that indicate the most efficient models in its category.

## Options

- "City Scape" Firebox Artwork
- "In the Woods" Firebox Artwork
- Custom Firebox Artwork
- "River Washed" log set
- Fan System
- 3 sided Shroud
- 4 sided Shroud
- Smart Home Receiver (IPI)

## Features

- Reflections Burner System
- "Sand Dunes" ceramic rear liner
- Mirrored firebox liners
- Black Glass firebox floor
- Integrated "Invisimesh" safety screen
- Non reflective door glass

- Customize your fireplace
- Raised install option
- Hearth install option
- Choice of firebox artwork
- Log set option

# Specifications

	CL2118	CL2714	CL26
BTU Maximum Input	27,300	24,682	26,900
Square Feet Heated	600 - 1200	600 - 1200	900- 1800
Glass Size	21"W x 18"H	27"W x 14"H	21"W x 18"H
Valve Configuration	Standing Pilot or IPI	Standing Pilot or IPI	Standing Pilot or IPI

# Features and Options

S = Standard, O = Optional

	CL2118	CL2714	CL26
"Sand Dunes" rear liner	S	-	S
Glass "Onyx Wave" rear liner	-	O	-
"In the Woods" firebox artwork	O	O	O
"City Scape" firebox artwork	O	O	O
"Marine Scape" firebox artwork	O	O	O
Custom firebox artwork	O	O	O
5 piece "River Washed" log set	O	O	O
7 piece "River Washed" log set	-	O	-
Crescent burner system	S	S	S
50% heat turn down	S	S	S
Fan System	O	O	O
Shroud options	O	O	-



"City Scape" firebox artwork



"In the Woods" firebox artwork



5 piece "River Washed" log set



"Marine Scape" firebox artwork  
\*CL2714 unit only



7 piece "River Washed" log set  
\*CL2714 unit only

**E&OE.** Every effort is made to present accurate information in this brochure. Brochures are for marketing purposes and subject to change without notice. Please consult your owners manual prior to any installation.



Q.402 07/2020