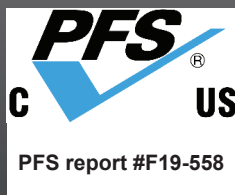


Blaze King

CLARITY CL26.IPI.1

**FREESTANDING DIRECT VENTED GAS ROOM HEATER
with Intermittent Pilot Ignition (IPI)**

For use with natural gas (NG) or propane (LPG)



OPERATION & INSTALLATION MANUAL

WARNING: If the information in these instructions are not followed exactly, a fire or explosion may result causing property damage, personal injury or loss of life.

Date Installed:

Serial No.:

Installer: Please complete the details on the back cover and leave this manual with the homeowner.

Homeowner: Please keep these instructions for future reference.

Pour la version française de nos manuels S.V.P. vous référez à notre site web: www.blazeking.com

SAFETY PRECAUTIONS	3
GENERAL	3
YOUR SAFETY	4
INSTALLATION	4
GENERAL INFORMATION	5
APPLIANCE CERTIFICATION	5
INSTALLATION CODES	5
SPECIFICATIONS	5
HIGH ALTITUDE INSTALLATION	5
CERTIFICATION LABEL	6
DIMENSIONS	7
INSTALLATION	8
INITIAL SETUP	8
BACKING PANEL INSTALLATION	10
PRECAUTIONS	10
VENT TERMINATION LOCATION	10
REAR VENT INSTALLATION	11
CONVERSION TO REAR VENT	11
CLEARANCE TO COMBUSTIBLES	14
GAS CONNECTIONS	15
VERTICAL VENT INSTALLATION	17
VENTING	18
VENT TERMINATION RESTRICTIONS	20
VENT RESTRICTOR	22
AIR SHUTTER ADJUSTMENT	23
BURNER FLAME APPEARANCE	23
MOBILE HOME INSTALLATION	24
ELECTRICAL REQUIREMENTS:	24
LIGHTING INSTRUCTIONS	26
885 PROFLAME VALVE	27
OPERATING INSTRUCTIONS	28
PROFLAME 2 WALL MOUNT TRANSMITTER / REMOTE	28
BATTERY HOLDER / TRANSMITTER	34
MAINTENANCE and SERVICE	35
ROUTINE MAINTENANCE	35
CLEANING SURFACES	35
CLEANING THE GLASS	35
GLASS DOOR REMOVAL	36
DOOR GLASS REPLACEMENT	36
BURNER REMOVAL	37
SAFETY SCREEN REPLACEMENT	37
FUEL CONVERSION	38
VALVE REMOVAL AND INSTALLATION	41
RIGID VENTING PARTS LIST	42
PARTS LIST	49
TROUBLESHOOTING	50
WARRANTY	53
NOTES	58

Manufactured By

Valley Comfort Systems Inc.
1290 Commercial Way
Penticton, BC V2A 3H5
CANADA
Phone: 250-493-7444
Fax: 250-493-5833

Blaze King Industries
146 A Street
Walla Walla, WA 99362
U.S.A.
Phone: (509) 522-2730
Fax: (509) 522-9803

⚠ WARNING

FIRE OR EXPLOSION HAZARD
Failure to follow safety warnings exactly could result in serious injury, death, or property damage.

- Do not store or use gasoline or other flammable vapors and liquids in the vicinity of this or any other appliance.
- **WHAT TO DO IF YOU SMELL GAS**
 - Do not try to light any appliance.
 - Do not touch any electrical switch; do not use any phone in your building.
 - Leave the premises.
 - Immediately call your gas supplier from a neighbor's phone. Follow the gas supplier's instructions.
 - If you cannot reach your gas supplier, call the fire department.
- Installation and service must be performed by a qualified installer, service agency or the gas supplier.

This appliance may be installed in an aftermarket, permanently located, manufactured (mobile) home, where not prohibited by local codes.

This appliance is only for use with the type of gas indicated on the rating plate. This appliance is not convertible for use with other gases, unless a certified kit is used.

A barrier designed to reduce the risk of burns from the hot viewing glass is provided with this appliance and shall be installed for the protection of children and other at-risk individuals. If the barrier becomes damaged, the barrier shall be replaced with the manufacturer's barrier for this appliance.

⚠ WARNING

HOT GLASS WILL CAUSE BURNS.
DO NOT TOUCH GLASS UNTIL COOLED.
NEVER ALLOW CHILDREN TO TOUCH GLASS.

**CALIFORNIA PROPOSITION 65**

WARNING: This product can expose you to chemicals including benzene, which is known to the State of California to cause cancer and birth defects or other reproductive harm. For more information:

www.P65Warnings.ca.gov

NOTE: Failure to follow these instructions could cause a malfunction of the fireplace, which could result in death, serious bodily injury, and/or property damage.

GENERAL

- Installation and repair should be done by a qualified service person. The appliance should be inspected before the first use and, at least, annually by a qualified service person. More frequent cleaning may be required due to excessive lint from carpeting, bedding material, etc. It is imperative the control compartments, burners and circulating air passageways of the appliance be kept clean.
- If the CL26 is pulled out of its installation, and the vent-air intake pipes is disconnected for any reason, ensure that the vent-air intake pipes are reconnected and re-sealed in accordance to the instructions noted in INSTALLATION - VERTICAL VENT INSTALLATION or REAR VENT INSTALLATION.
- Due to high temperatures, the appliance should be located out of high traffic areas and away from furniture and draperies.
 - Children and adults should be alerted to the hazards of high surface temperatures and should stay away to avoid burn or clothing ignition.**
- Young children should be carefully supervised when in the same room as the appliance. Toddlers, young children and others may be susceptible to accidental contact burns. A physical barrier is required if there are at risk individuals in the house. To restrict access to a fireplace or stove install an adjustable safety gate to keep toddlers, young children and other at risk individuals out of the room and away from hot surfaces. Any safety screen, guard, or barrier removed for servicing an appliance must be replaced prior to operating the appliance.
- Clothing or other flammable materials should not be placed on or near the appliance.

YOUR SAFETY

- Have the venting system inspected annually by a qualified installer for blockage and signs of deterioration.
- To prevent injury, do not allow anyone who is unfamiliar with the stove to operate it.
- To prevent injury, if the pilot or pilot and burners have gone out on their own, open the glass door and wait 5 minutes to air out before attempting to relight the stove.
- Always keep the area around these appliances clear of combustible material, gasoline and other flammable liquids and vapors.
- These appliances should not be used as a drying rack for clothing or for hanging Christmas stockings/ decorations.
- Due to the paint curing on the stove, a faint odor and slight smoking will likely be noticed when the stove is first used. Open a window until the smoking stops.
- Do not use this appliance if any part has been under water. Immediately call a qualified service technician to inspect the appliance and to replace any part of the control system and any gas control which has been under water.
- Do not abuse the glass by striking it or slamming the door shut.

⚠ WARNING

DO NOT OPERATE WITH THE GLASS FRONT REMOVED, CRACKED OR BROKEN. REPLACEMENT OF THE GLASS SHOULD BE DONE BY A LICENSED OR QUALIFIED SERVICE PERSON.

INSTALLATION

- Installation and service must be performed by a qualified installer, service agency or gas supplier
- Only doors certified with the appliance shall be used. (see door part numbers in "PARTS LIST")
- This installation must conform to local codes or, in the absence of local codes, with the National Fuel Gas Code, ANSI Z223.1 / NFPA 54 in the US, or the Natural Gas and Propane Installation Code, CSA B149.1 in Canada.
- A manufactured home (USA only) or mobile home OEM installation must conform with the Manufactured Home Construction and Safety Standard, Title 24 CFR, Part 3280, or, when such a standard is not applicable, the Standard for Manufactured Home Installations, ANSI / NCSBCS A225.1, or Standard for Gas Equipped Recreational Vehicles and Mobile Housing, CSA Z240.4.
- Always connect this gas appliance to a vent system and vent to the outside of the building envelope. Never vent to another room or inside the building. Make sure the specified vent pipe is used, properly sized and of adequate height to provide sufficient draft.
- The flow of combustion and ventilation air must not be obstructed .
- The appliance and its appliance main gas valve must be disconnected from the gas supply piping system during any pressure testing of that system at test pressures in excess of 1/2 psi (3.5 kPa).
- This gas appliance must not be connected to a chimney flue serving a separate solid-fuel burning appliance.
- The appliance, when installed, must be electrically grounded in accordance with local codes or, in the absence of local codes, with the National Electrical Code, ANSI / NFPA 70, in the US, or the Canadian Electrical Code, CSA C22.1, in Canada.
- **Caution:** Label all wires prior to disconnection when servicing controls. Wiring errors can cause improper and dangerous operation. Verify proper operation after servicing.

⚠ WARNING

FAILURE TO POSITION THE PARTS IN ACCORDANCE WITH THE DIAGRAMS IN THIS BOOKLET, OR FAILURE TO USE ONLY PARTS SPECIFICALLY APPROVED WITH THIS APPLIANCE, MAY RESULT IN PROPERTY DAMAGE OR PERSONAL INJURY.

APPLIANCE CERTIFICATION

This appliance is tested and certified to the following US and Canadian gas appliance standards:

- ANSI Z21.88-2017 / CSA 2.33-2017 - Vented Gas Fireplace Heaters
- CSA 2.17-2017 - Gas-Fired Appliance for Use at High Altitudes
- CSA P.4.1-15 - Testing Method for Measuring Annual Fireplace Efficiency

STEADY STATE EFFICIENCY			
		Natural Gas (NG)	Propane (LP)
Steady State Efficiency - High	Effy_{SS,H}	71.55%	65.75%
Fireplace Efficiency	FE	65.00%	61.00%

INSTALLTION CODES

This appliance must be installed by a qualified gas appliance installer. This appliance is certified for installation in a bedroom or a bedsitting room. This appliance is only for use with the type of gas indicated on the rating plate and may be installed in an aftermarket, permanently located, manufactured (mobile) home where not prohibited by local codes. This appliance is not convertible for use with other gases, unless a certified kit is used. Only for direct discharge without duct connection. This appliance must be direct vented using listed and approved Simpson Dura-Vent, Selkirk, Security or American Metal Products vent components.

We recommend that our gas hearth products be installed and serviced by professionals who are certified in the U.S. by the National Fireplace Institute (NFI) as NFI Gas Specialists.

**SPECIFICATIONS**

MODEL CL26.IPI	Natural Gas (NG)	Propane (LPG)
Manifold Pressure	3.8" w.c. (0.95kPa)	10.6" w.c. (2.64 kPa)
Min. Supply Pressure for Purpose of Input Adjustment	7.0" w.c. (1.74 kPa)	11.0" w.c. (2.74 kPa)
Orifice Size	DMS #39	DMS #1.5 mm
Nominal Input Rating	27,300 BTU/hr	26,200 BTU/hr
Minimum Input Rating	14,838 BTU/hr	14,120 BTU/hr
Altitude	0 - 4,500 ft. (0 - 1372 m)	0 - 4,500 ft. (0 - 1372 m)
Primary Air Opening	50% (Minimum)	open
Electrical Rating	120 V.A.C. System	120 V.A.C. System

HIGH ALTITUDE INSTALLATION

When installing this appliance beyond 4500 ft. (1372 m) above sea level, the appliance must be properly derated and installed according to local codes, in the absence of local codes, with the current National Fuel Gas Code, ANSI Z223.1/ NFPA 54, in the US or Installation Code, CSA-B149.1, in Canada.

CERTIFICATION LABEL



CL26.SP □ CL26.IPI □

SN - 35.

Listed vented gas fireplace heater / Poêle certifié au gaz avec évacuation
 MODEL / MODÈLE: CL26 top venting appliance / CL26 appareil ventilé vers le haut
 This stove is factory equipped for 0-1372 m (0-4500 ft) / Ce poêle est manufacturé et équipé pour 0-1372 m (0-4500 pied)
 UNITED STATES AND CANADA / ÉTATS-UNIS ET LE CANADA: Certified to: CSA 2.17-2017, ANSI Z21.88-2017/CSA 2.33-2017
 Certifié: CSA 2.17-2017, ANSI Z21.88-2017/CSA 2.33-2017

Model: CL26 top vent appliance Modèle: CL26 appareil de ventilation vers le haut	<input type="checkbox"/> NATURAL GAS	<input type="checkbox"/> LP GAS
Orifice (DMS) 0-1370 m	39	1.5 mm
Input rating / Puissance d'entrée (BTU/hr / Kw) 0-1370m 0-4,500 ft Alt.	27,300 / 8.00	26,200 / 7.68
Minimum Input / Entrée Minimum (BTU/hr / Kw)	14,838 / 4.35	14,120 / 4.14
Manifold Pressure High setting / Manifold Pression réglé à High (In w.c. / kPa)	3.8 / 0.95	10.6 / 2.64
Manifold Pressure Low setting / Manifold Pression réglé à Low (In w.c. / kPa)	1.0 / 0.25	2.9 / 0.72
Minimum Inlet Pressure / Pression minimum d'admission (In w.c. / kPa)	7.0 / 1.74	11.0 / 2.74

This appliance must be installed in accordance with local codes, if any; if none, follow the National Fuel Gas Code, ANSI Z223.1 / NFPA 54, or the Natural Gas and Propane Installation Code, CSA B149.1.

WARNING: Improper installation, adjustment, alteration, service, or maintenance can cause injury or property damage. Refer to the owner's manual provided with this appliance. For assistance or additional information consult a qualified installer, service agency, or the gas supplier.
 Hot while in operation. Do not touch. Keep children, clothing, furniture, gasoline and other liquids having flammable vapors away. Keep burner and control compartment clean. See installation and operating instructions accompanying appliance.

VENTED GAS FIREPLACE HEATER —NOT FOR USE WITH SOLID FUEL

For use with glass doors certified with the appliance only. Do not operate this appliance with glass removed, cracked or broken. Replacement of the panel(s) should only be done by a qualified person. For use only with barrier Part No. 645.1821. Part No. S.Z5177.SP or S.Z5177.IPI Fan Kit may be used. Also for use in OEM / mobile(manufactured) homes after home is on site. Convertible for use with natural gas or propane as follows: For natural gas when equipped with orifice #39; For propane when equipped with orifice 1.5 mm. May be installed in a bedroom or sitting room when installed with a listed thermostat control in Canada.

Cet appareil doit être installé selon les codes locaux, s'il y en a: sinon suivez l'actuel ANSI Z223.1 / NFPA 54 ou Gaz Naturel et Propane Codes, CSA B149.1.

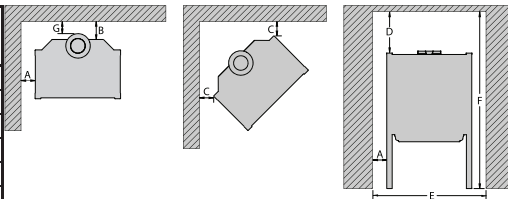
MISE EN GARDE: Une mauvaise installation, un ajustement, une altération, service ou entretien peuvent causer des blessures ou des dommages à la propriété. Consultez le manuel du propriétaire fourni avec cet appareil. Pour assistance ou information additionnelle, consultez un installateur qualifié, agence de service ou votre fournisseur de gaz.

Chaud lorsque l'appareil fonctionne. Ne pas toucher. Tenir loin des enfants, vêtements, meubles, essence et autres liquides ayant des vapeurs inflammables. Tenir le compartiment du brûleur et de contrôle propre. Voir les instructions de l'installation et du fonctionnement accompagnant cet appareil.

FOYER AU GAZ AVEC ÉVENT —NE PAS UTILISER AVEC DU COMBUSTIBLE SOLIDE

Utiliser seulement avec des portes vitrées certifiées pour cet appareil. Ne pas opérer cet appareil, si la vitre est manquante, craquée, ou brisée. Le remplacement des panneaux de verre seulement être fait par une personne qualifiée. À utiliser uniquement avec le numéro de pièce de barrière 645.1821. Numéro de pièce fan S.Z5177.SP ou S.Z5177.IPI ou Ensemble Ventilateur peuvent être utilisés. Aussi pour l'usage dans les maisons mobiles (manufacturées) après que la maison soit installée sur le site. Pouvant être converti pour usage avec le gaz naturel ou le propane comme suit: Pour le gaz naturel une fois équipé d'un orifice # 39.; Pour le propane une fois équipé de l'orifice # 1.5 mm. Peut être installé dans une chambre à coucher ou un salon une fois installé avec un thermostat approuvé au Canada.

MINIMUM CLEARANCES TO COMBUSTIBLES / DÉGAGEMENTS MINIMUM REQUIS ENTRE L'APPAREIL ET DES MATÉRIEAUX COMBUSTIBLES	
A	Unit to sidewall / Unité au mur latéral 2" (51 mm)
B	Unit to back wall / Unité à au mur arrière 2.5" (64 mm)
C	Unit corner to sidewall / Unité en coin au mur 2" (51 mm)
D	Unit to top / Unité jusqu'au haut 33" (838 mm)
E	Alcove width / alcôve largeur 27.875" (708 mm)
F	Alcove height / alcôve hauteur 70.5" (1791 mm)
G	Vent / évacuation de surface extérieure 1" (25 mm) from outside surface* * 2" (51 mm) horizontal vent to combustible



NOTE: CHECK LOCAL CODES FOR FLOOR REQUIREMENTS. THIS FIREPLACE IS SUITABLE FOR INSTALLATION ON A COMBUSTIBLE SURFACE. VÉRIFIER LES CODES LOCAUX POUR ÉQUIPEMENT DE SURFACE DE PLANCHER, CET APPAREIL PEUT ÊTRE INSTALLÉ SUR UNE SURFACE COMBUSTIBLE

Electrical Rating: 115 Volts, 0.7 Amp, 60 Hz for CL26.IPI and S.Z5177.SP Fan Kit.

DANGER: Risk of electrical shock. Disconnect power before servicing unit. Do not route power cord beneath heater. This appliance must be installed in accordance with the Standard CAN/CSA Z240 MH, Mobile Housing, in Canada, or with the Manufactured Home Construction and Safety Standard, Title 24CFR, Part 3280, in the United States, or when such a standard is not applicable, ANSI / NCSBCSA 225.1 / NFPA501A, Manufactured Home Installations Standard. This appliance is only for use with the type of gas indicated on the rating plate and may be installed in an aftermarket, permanently located, manufactured(mobile) home where not prohibited by local codes. See owners manual for details. This appliance is not convertible for use with other gases unless a certified kit is used. This vented gas fireplace is not for use with air filters.

Caractéristiques électriques: 115 Volts, 0.7 Amp, 60 Hz pour CL26.IPI et S.Z5177.SP Ensemble Ventilateur.

DANGER: Risque d'électrocution. Débrancher le courant avant de réparer l'unité. Ne pas mettre le cordon d'alimentation en dessous de l'appareil de chauffage. Cet appareil doit être installé selon les codes CAN/CSA Z240 MH, maisons mobiles (manufacturées), au Canada, sinon applicable, utilisez ANSI / NCSBCS A225.1/NFPA 501 A, Installation d'une maison mobile standard.

Cet appareil peut être utilisé seulement avec le type de gaz indiqué sur la plaque de contrôle et peut être installé dans un marché des accessoires, maison (mobile) de manière permanente placée et manufacturée où ils ne sont pas interdit par des codes. Voir le manuel d'installation pour des détails. Cet appareil ne peut pas être converti pour l'usage avec d'autres gaz à moins qu'un kit de conversion certifié soit employé. Ce foyer au gaz à évacuation ne pas être utilisé avec des filtres à air.

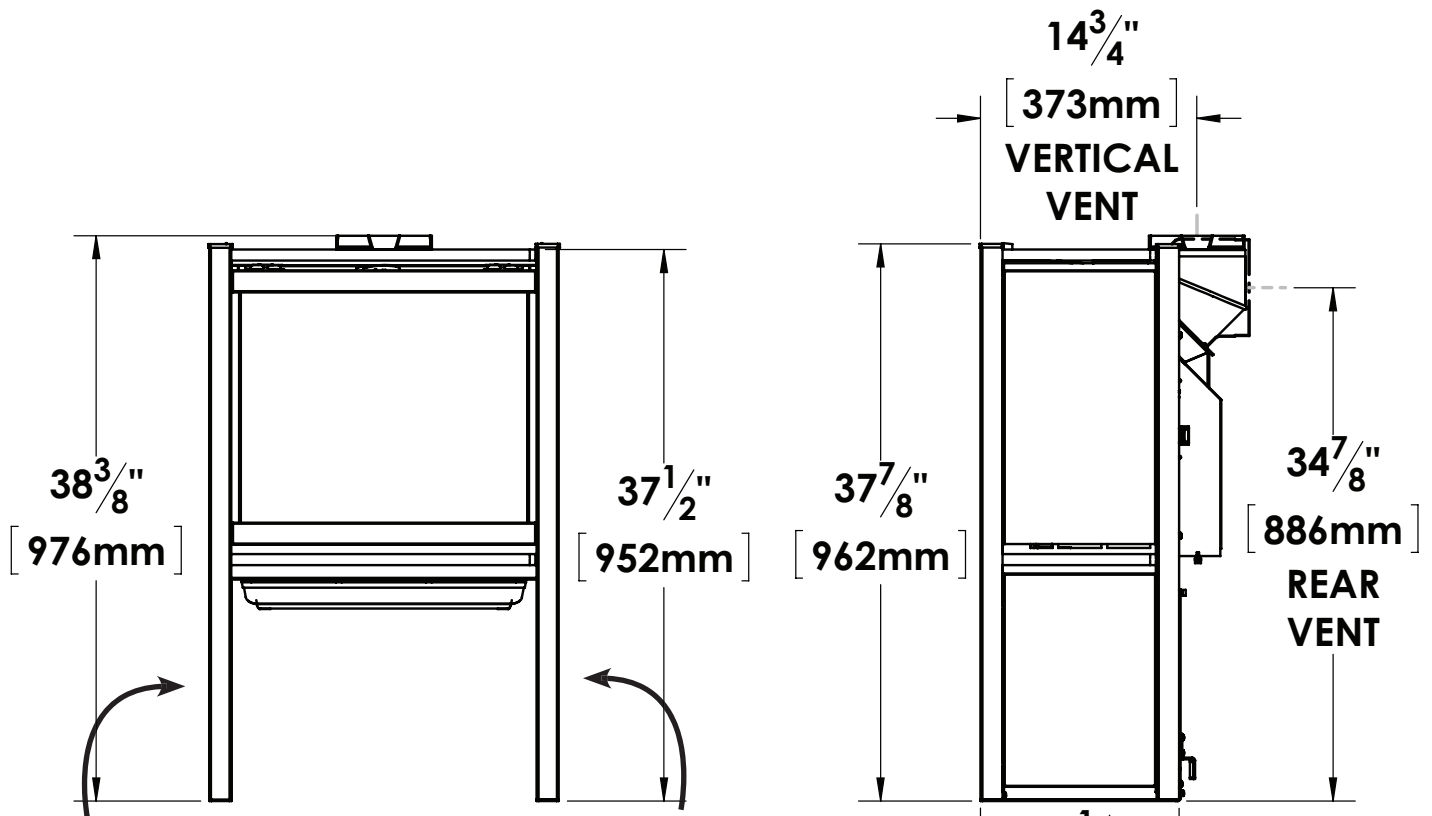
CSA P.4.1-15 Fireplace Efficiency (FE) / Efficacité énergétique des foyer (EEF) CSA P.4.1-15:
 CL26.IPI Natural Gas / Gaz naturel: 65.00%, Propane Gas / Gaz Propane: 61.00%
 CL26.SP Natural Gas / Gaz naturel: 64.49%, Propane Gas / Gaz Propane: 59.41%

MANUFACTURE DATE

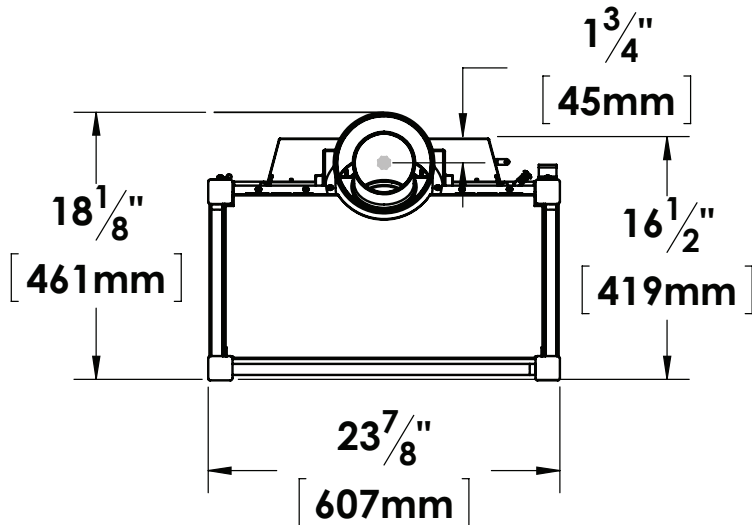
JAN FEB MAR APR MAY JUN
 JUL AUG SEP OCT NOV DEC
 2020 2021 2022 2023 2024 2025
 170-0249 [06 20]

MANUFACTURED IN:

USA: Blaze King Industries 146A Street, Walla Walla, WA. 99362
 CANADA: Valley Comfort Systems 1290 Commercial Way, Penticton, B.C. V2A 3H5



NOTE: RATING AND LIGHTING INSTRUCTION LABELS ARE LOCATED ON THE LOWER RIGHT AND LEFT OUTSIDE PANELS. TO REMOVE, LIFT UP AND OFF.



NOTE: TURNING ON YOUR APPLIANCE WHEN IT HAS BEEN OFF FOR AWHILE MAY CAUSE CONDENSATION TO APPEAR ON THE GLASS. THIS IS A NORMAL OCCURRENCE AS YOUR APPLIANCE HEATS UP.

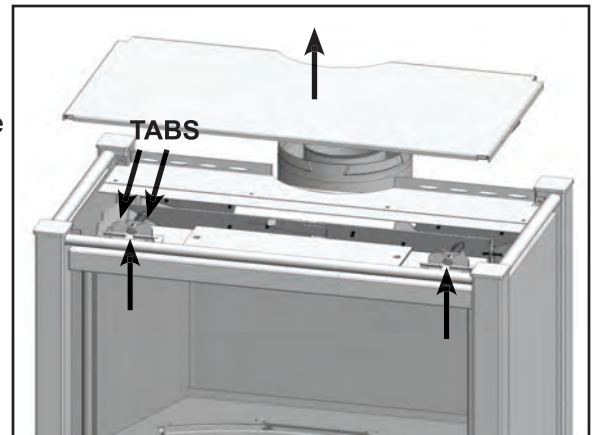
NOTE: THIS FIREPLACE IS SUITABLE FOR INSTALLATION ON A COMBUSTIBLE SURFACE. MAY BE INSTALLED ON CARPET.

This section of the owner's manual is for the use of qualified service technicians only. Fireplace placement, hearths, and venting terminations will be covered, as well as the gas and electrical systems. Please read "SAFETY PRECAUTIONS" at the front of this manual.

INITIAL SETUP

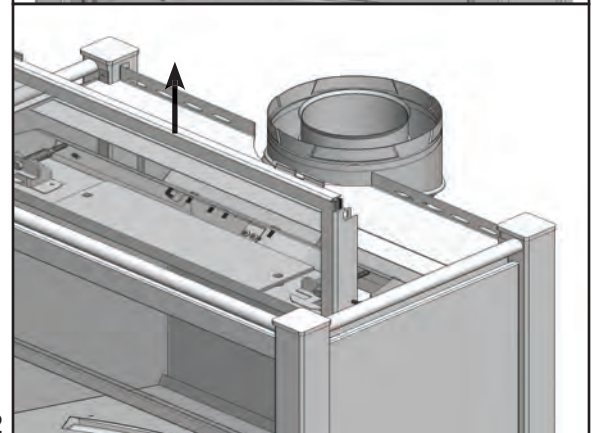
1. Remove the top lid assembly from appliance and set it aside.
2. There are two door latch mechanisms on the top of the glass door.(**Fig.1**) Pull the tabs forward and up off the door tabs.

Fig.1



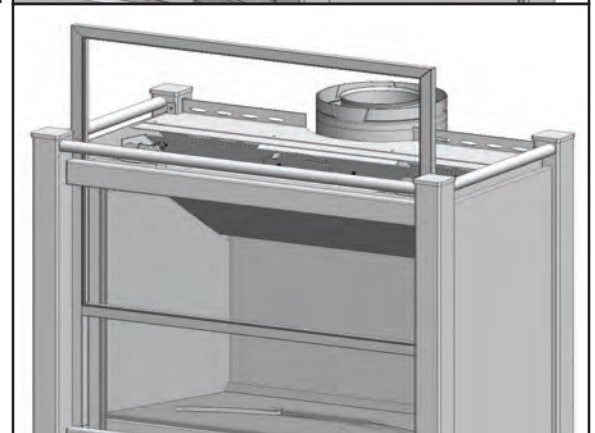
3. Carefully slide the door glass assembly up and out of the appliance(**Fig.2**). **NOTE: REMOVE THE STATIC CLING LABEL THAT IS ON THE DOOR GLASS.** Hold glass to frame when removing as it is only held in place with silicone. Set the door aside.

Fig.2



4. Slide the safety screen up and out from appliance and set aside.(**Fig.3**)

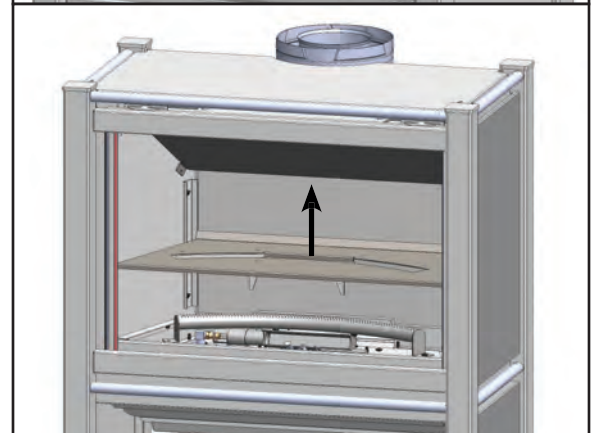
Fig.3



5. Remove packaged contents from firebox and unwrap, **HANDLE GLASS CAREFULLY BY THE EDGES, DO NOT LEAVE FINGERPRINTS, CLEAN IF NECESSARY.** One package contains the floor glass, the other contains the side panels. Set glass panels aside in a safe place.

6. Remove floor plate assembly from appliance and set aside. (**Fig.4**)

Fig.4



7. Loosen the top left tab as shown by arrow, install the left glass up under the tab and onto the support. **(Fig.5) NOTE: THE SIDE WITH LABEL SHOULD BE FACING FIREBOX, REMOVE BEFORE FIRING. Retighten ths tab. HANDLE GLASS CAREFULLY BY THE EDGES, DO NOT LEAVE FINGERPRINTS, CLEAN IF NECESSARY.**

8. Repeat Step 7 for the right side panel.

9. Carefully place the floor plate assembly back into position **(Fig.6).**

10. Place the floor glass on top of the floor plate assembly. **(Fig.7) NOTE: SMOOTH SIDE SHOULD FACE UP.**

11. If installing the optional log set **(Fig.8)** refer to installation instructions on Page 39, if not continue below.

12. Repeat steps 1 to 4 in reverse order to complete initial setup.



Fig.5

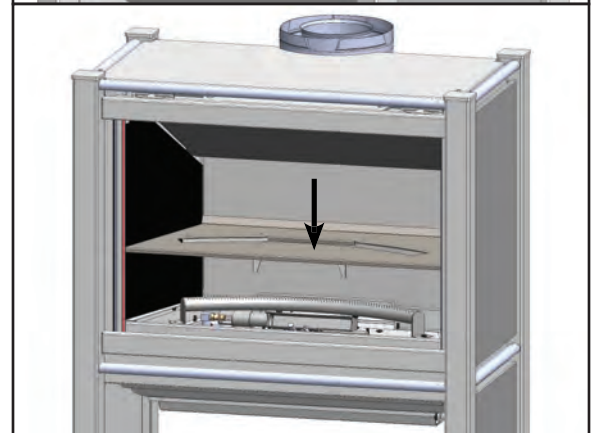


Fig.6

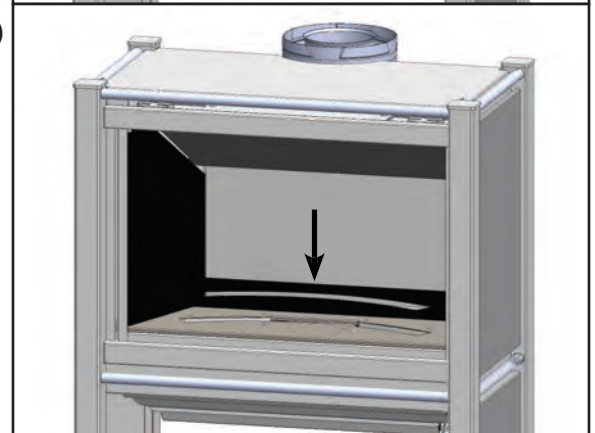


Fig.7

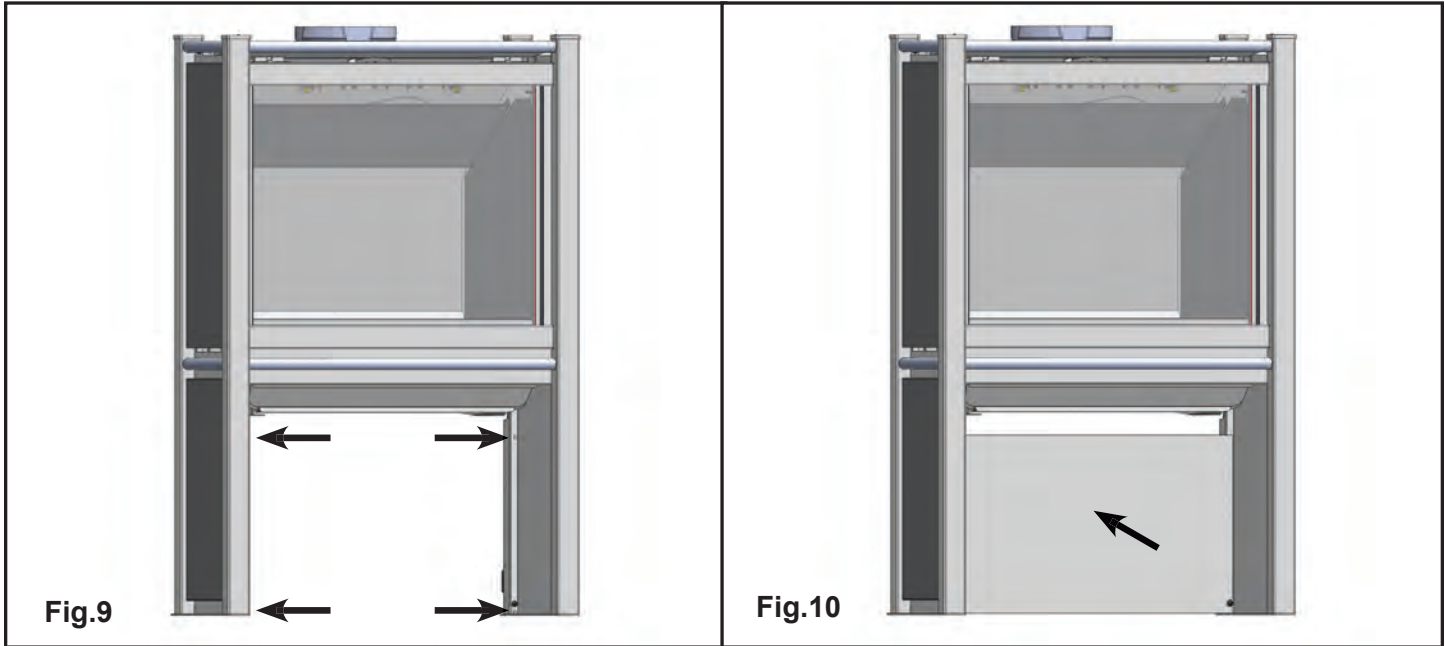


Fig.8

BACKING PANEL INSTALLATION

There is a supplied backing panel that can be used to hide gas lines, power cords etc.

- There are four magnets in the manual bag, attach the magnets as shown in **(Fig.9)** to the back legs of the appliance.
- Place the backing panel onto the magnets as shown in **(Fig.10)**, with the notches on the bottom.



PRECAUTIONS

- The installation must conform to the installation codes.
- This appliance needs fresh air for safe operation and must be installed so there are provisions for adequate ventilation air. Provide adequate clearance around air openings of the appliance. Never obstruct front openings.
- Provide adequate clearances for proper operation and servicing of the appliance.
- This appliance must be properly connected to a venting system.
- The venting of this appliance must be installed in a location that is free of plumbing, electrical wiring and heating or air conditioning ducts.
- Select a location that is accessible for venting.(see “**VENT TERMINATION LOCATIONS**”)

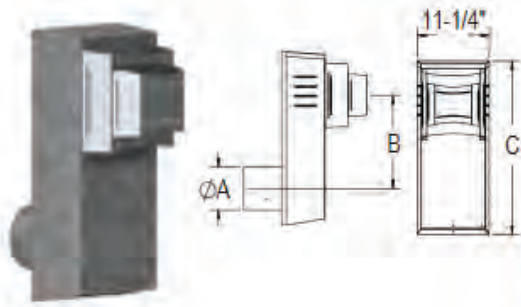
VENT TERMINATION LOCATION

- Establish a suitable vent termination location (see “**VENT TERMINATION LOCATIONS**”)
- In heavy snowfall areas make sure vent termination is located where it will not be blocked by snowfall or snow from snow removal equipment.
- Locate vent termination away from plants, bushes, or any other object on or near the vent termination that will interfere or obstruct the air flow around it.
- DO NOT recess vent termination into walls, sidings, or planters.
- Vent terminations located below 7 ft (2130 mm) from grade level or anywhere that it is a burn hazard to the public, such as patios and balconies, must be protected with an approved termination cage.

REAR VENT INSTALLATION

Two snorkels are available that can be used in a rear vent application on the CL26. One is the M&G Duravent 46DVA-H2-SNK36 (**Fig.11**), and the other is the Selkirk 4DT-ST36 (**Fig.12**).

Snorkel H2 Termination Cap

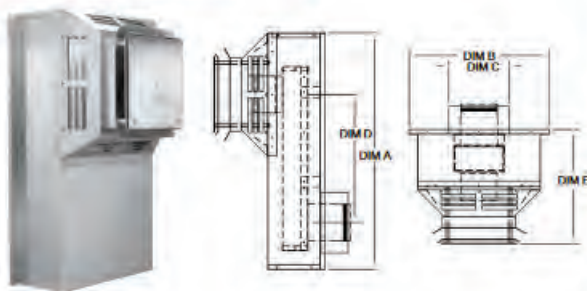


Use for horizontal through-the-wall termination when a vertical rise is desired in the system to meet appliance manufacturer recommended minimum heights. Do not enclose in the wall or install below grade. Provides improved performance in high wind conditions. Features an adjustable air intake and interchangeable shroud (shroud is included and required for all installations). Check with appliance manufacturer for approval and air throttle setting. Patent Pending.

SIZE	ORDER #	STOCK #	A	B	C
4" x 6 5/8"	46DVA-H2-SNK36	810012916	6 3/4"	37"	49 1/2"

Fig.11

SNORKEL TERMINATION



- Use when horizontal termination is too close to grade or additional height is needed

Size	Description	Part #	SKU #
4 x 6 5/8"	36" Rise Snorkel Termination 4 x 6-5/8"	4DT-ST36	1604838

SNORKEL SIZE	DIM A	DIM B	DIM C	DIM D	DIM E
36.0"	48.0"	15.25"	6.63"	36.0"	13.25"

Fig.12

CONVERSION TO REAR VENT

1. Remove the top assembly from the appliance and set aside. (**Fig.13**)

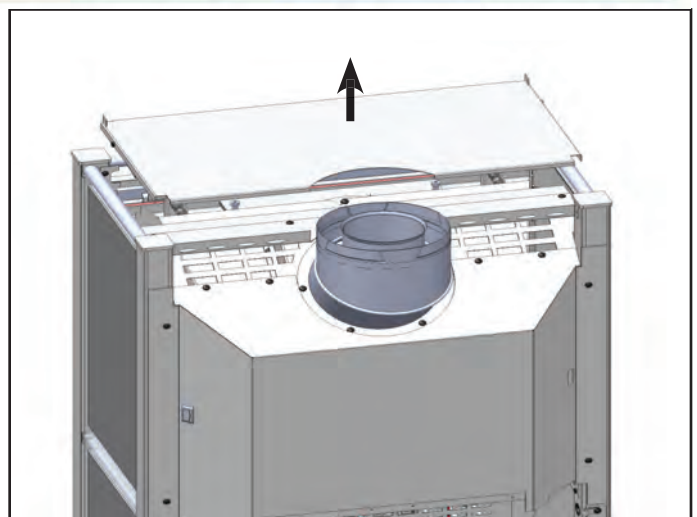


Fig.13

2. Remove screws from top rear grill assembly (1 screw each side of leg, two screws each side of flue collar). **(Fig.14)**

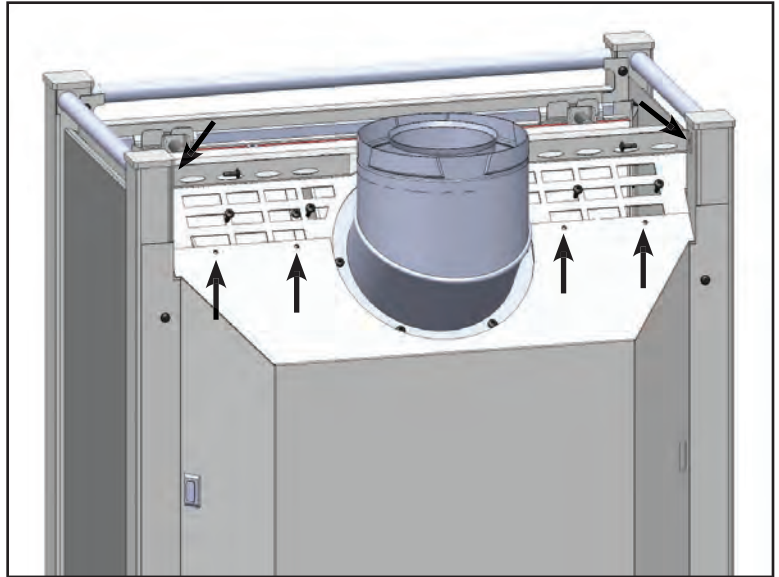


Fig.14

3. Remove top rear grill assembly from appliance and set aside. **(Fig.15)**

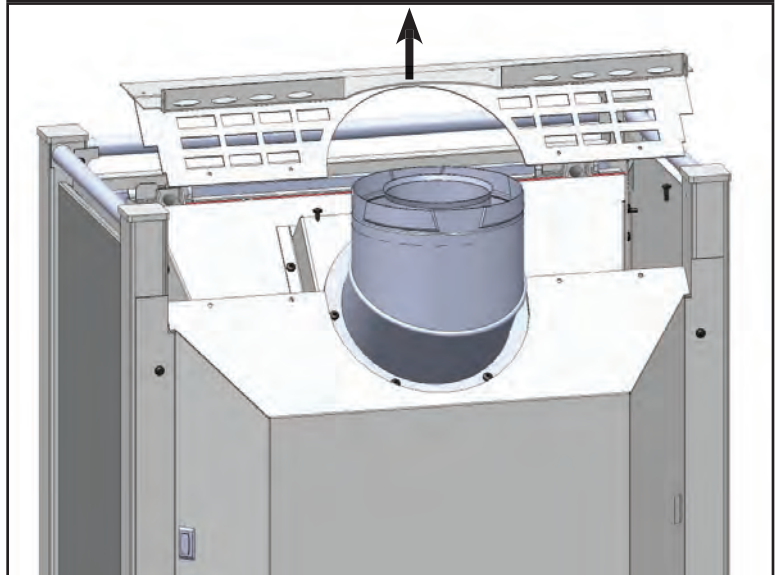


Fig.15

4. Unscrew outer rear shield from appliance (9 screws). Be sure to undo wire clamp before attempting to remove the shield. **(Fig.16)**

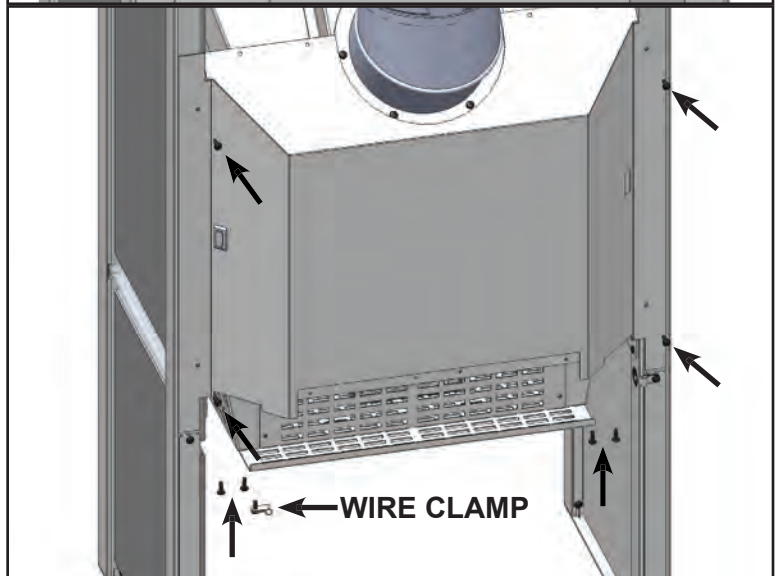


Fig.16

5. Rotate outer rear shield and place below such that the connected wires are not compromised. (Fig.17)

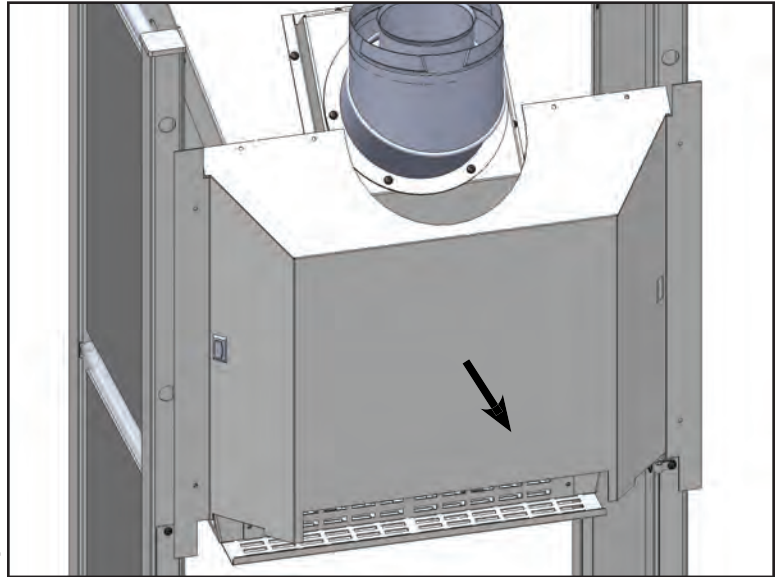


Fig.17

6. Remove screws from flue collar (6 screws). (Fig.18)

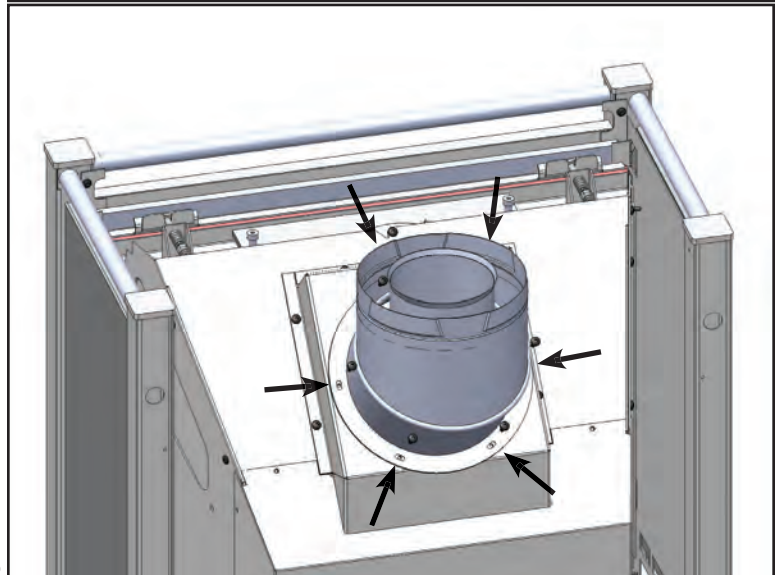


Fig.18

7. Rotate flue collar as shown (Fig.19) and re-install to appliance (6 screws).
8. Re-install rear shield and top rear grill assembly, follow steps 1-3 in reverse order.

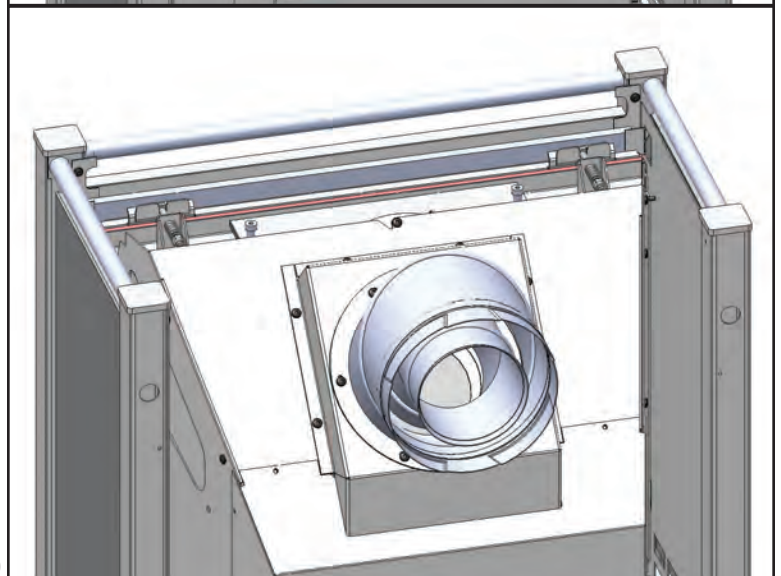
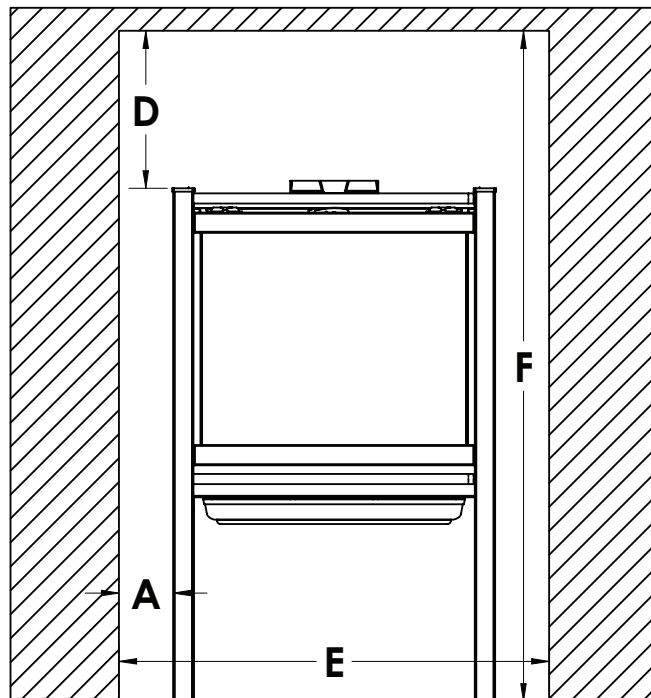
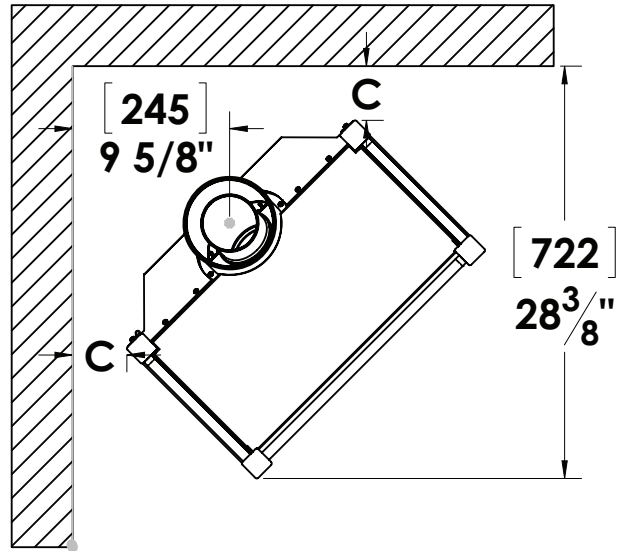
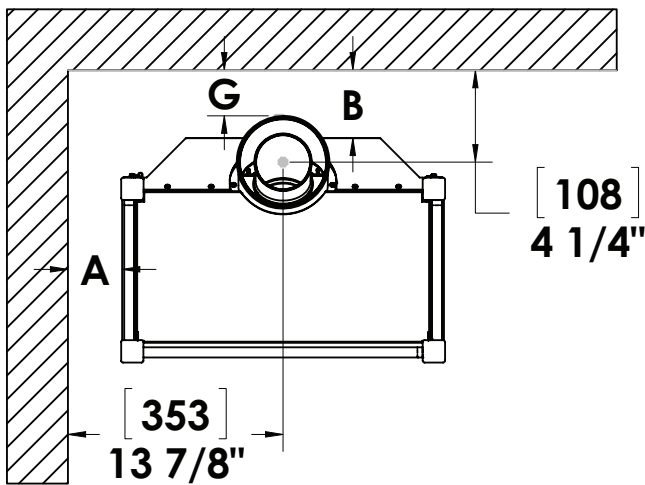


Fig.19

CLEARANCE TO COMBUSTIBLES		
A	Side of unit to sidewall	2" (51 mm)
B	Back of unit to back wall	2.5" (64 mm)
C	Corner of unit to sidewall	2" (51 mm)
D	Top of unit to alcove ceiling	33" (838 mm)
E	Alcove width	27.875" (708 mm)
F	Alcove height	70.5" (1791 mm)
G	Vent	1" (25 mm) from outside surface

**NOTE: CHECK LOCAL CODES FOR FLOOR REQUIREMENTS.
THIS FIREPLACE IS SUITABLE FOR INSTALLATION ON A COMBUSTIBLE SURFACE**



GAS CONNECTIONS

Have your gas supplier or a qualified gas fitter run a gas supply line to the gas fireplace. The line must be properly sized and fitted according to the installation codes. This unit is equipped with a manual shutoff ball valve.(Fig.20) The outlet has a 1/2" female pipe thread.

⚠ WARNING

THE APPLIANCE AND ITS INDIVIDUAL SHUTOFF VALVE MUST BE DISCONNECTED FROM THE GAS SUPPLY PIPING SYSTEM DURING ANY PRESSURE-TESTING OF THAT SYSTEM AT TEST PRESSURES IN EXCESS OF 1/2 PSI (3.5 KPA). THE APPLIANCE MUST BE ISOLATED FROM THE GAS SUPPLY PIPING SYSTEM BY CLOSING ITS INDIVIDUAL MANUAL SHUTOFF VALVE DURING ANY PRESSURE-TESTING OF THE GAS SUPPLY PIPING SYSTEM AT TEST PRESSURES EQUAL TO OR LESS THAN 1/2 PSIG (3.5 KPA). FAILURE TO DO SO WILL DAMAGE THE APPLIANCE'S GAS VALVE. SUCH DAMAGE IS NOT COVER BY THE MANUFACTURER'S WARRANTY.

- Check for proper gas supply pressure by loosening the set screw on supply pressure tap on the gas valve with a small flat tip screw driver and placing a test gauge on the tap.
- The minimum permissible gas supply pressure is 5.0 in. w.c. (1.24 kPa) for natural gas and 12.0 in. w.c. (3.0 kPa) for propane. Maximum gas supply pressure should never exceed 14.0 in. w.c. (3.48 kPa) or 1/2 psi. for both natural gas and propane.

BE SURE TO TIGHTEN THE PRESSURE TAP SET SCREW AFTER CHECKING THE PRESSURE.

Before connecting the appliance to the gas supply line, double check that the appliance you have purchased is designed for the gas type you are using. The gas type markings are located on the certification label and also on the appliance's gas valve.

Adequate clearance for proper installation and checking of the gas connections must be provided. All gas connections must be checked for gas leaks.

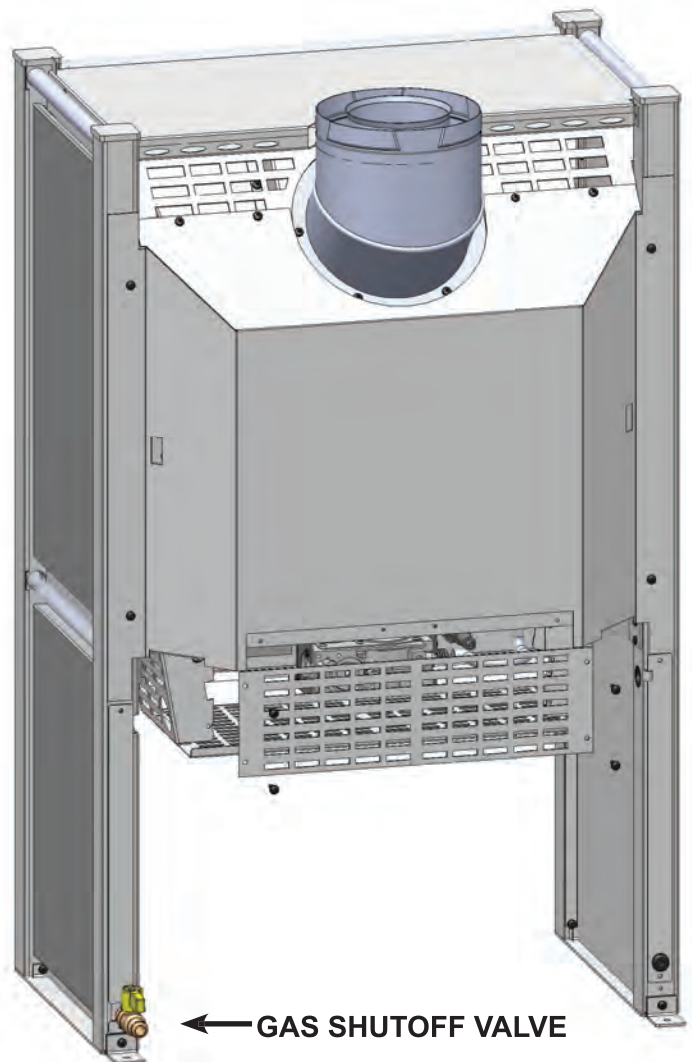


Fig.20

⚠ WARNING

A MINIMUM VENT CLEARANCE OF 1" (26 mm) TO COMBUSTIBLES MUST BE MAINTAINED ON VERTICAL PIPE RUNS AND 13" (330 mm) FOR HORIZONTAL PIPE RUNS (SIDES AND BOTTOM 1" (26 mm))

The rigid vent systems use twist lock connections. The flue collar attached to the unit connects to the approved venting system. While you are assembling the pipe, bear in mind the best visual appearance. Seams should be aligned and hidden as much as possible. Make sure you twist the mating section all the way to make a solid connection.

As this system is a sealed system, a high temperature sealing compound must be used to seal the metal to metal joint:

Apply a bead of high temperature sealant (non-silicone) to both the 4" exhaust and 6-5/8" intake section of the male pipe. The female section of the pipe/fitting has four indentations evenly spaced around the pipe. These indentations are designed to slide over the male section of the pipe and locate into the four entry slots of the male section of pipe. Twist the female section clockwise a quarter turn to fully lock the sections together.

NOTE: DO NOT USE SILICONE BASED SEALANTS

NOTE: ALLOWING HORIZONTAL VENT PIPE TO SLOPE DOWN TOWARDS THE VENT TERMINATION COULD CAUSE POOR COMBUSTION AND/OR HIGH TEMPERATURES THAT MAY PRESENT A FIRE HAZARD.

Mark a 10" x 10" square around the center mark (inside dimensions). Cut and frame the exterior wall to accept the wall penetration heat shield. Install the penetration shield using wood screws. If the wall being penetrated is constructed of non-combustible material a 7" hole is acceptable for the vent pipe.

CAUTION: When installing the termination on to vinyl siding, a vinyl siding kit must be used. This prevents the termination from being recessed into the siding.

When the termination is to be attached to vinyl siding apply a bead of non-hardening mastic around the outside edge to form a seal between the standoff and the termination cap. Attach the termination cap to the exterior wall inserting four wood screws through the holes in the corner of the vent termination. Complete the installation by applying a bead of mastic around the outer edge of the vinyl standoff.

With the termination cap installed you can now connect the completed vent assembly by sliding the unit back towards the wall and carefully inserting the pipe into the terminal. Before the final connection is made slide on the decorative wall thimble. Secure the termination cap by securing the termination straps to the pipe as close to the exterior wall as possible using sheet metal screws. Ensure that the straps are hidden by the wall thimble cover. Apply decorative trim if required.

VERTICAL VENT INSTALLATION

Always maintain the 1" clearance around the vent pipe (vertical), when passing through ceilings, walls, roofs, enclosures, attic rafters or any combustible surfaces.

DO NOT PACK AIR SPACES WITH INSULATION.

Refer to the vent chart for maximum allowable vertical and horizontal installations.

When planning your installation determine if ceiling joists, roof rafters or other framing will obstruct the vent system. You may have to use 45° elbows to navigate around any obstacles. When passing through a flat ceiling install a Box/Wall thimble. Cut a 10" square hole and frame as shown (Fig.21)

Ensure all pipe sections are fully twist locked.

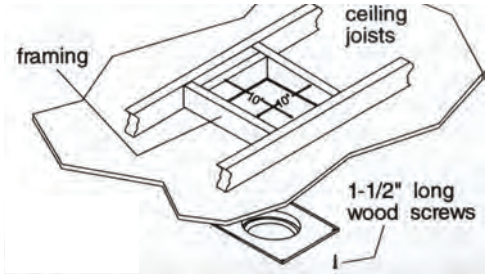
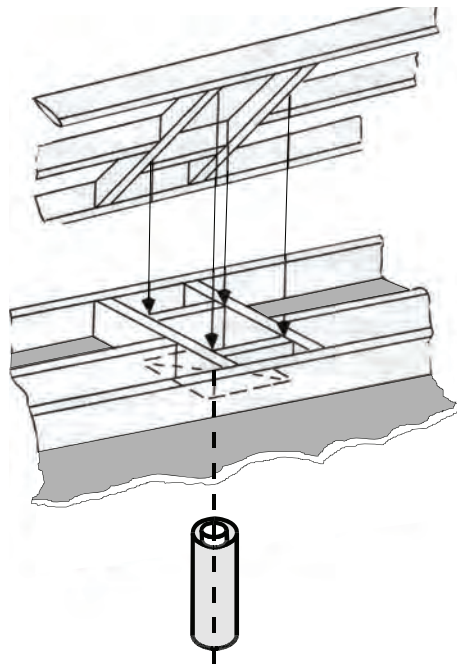


Fig.21

NOTE: Always check your local codes before installing venting. Necessary clearances and requirements may vary from state to state (province to province).

Through Roof Framing

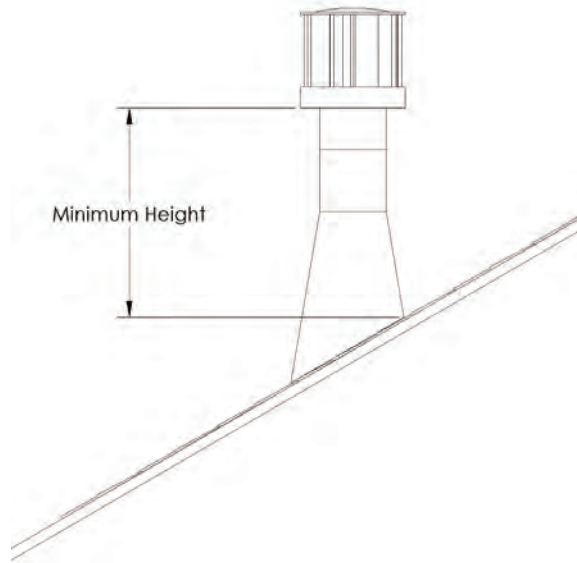
Maintain 10" opening relative to the pitch of the roof.



Use a suitable round or square support through the roof. Ensure adequate heat shield protection is provided.

Termination Above Roof

Consult local codes for minimum vent cap height above the roof, vent must be a minimum 2' from any wall.



Install the flashing with upper portion slid under the roofing material and the lower portion over the roofing material.

NOTE: DO NOT FASTEN DOWN UNTIL THE FINAL ADJUSTMENTS TO THE VENT HAVE BEEN MADE.

VENTING

This appliance will not function without being connected to a proper venting system. This unit is certified for use with M&G Duravent, BDM, American Metal, Selkirk (Direct-Temp), Olympia, and ICC venting. Read the manufacturer's installation instructions before installing the venting system.

Typical Installation

- 24"(min) vertical vent pipe on top of the appliance,
- One 90° elbow, and up to 24" (max) horizontal run to the outside (with a 2' vertical rise).

Other installations

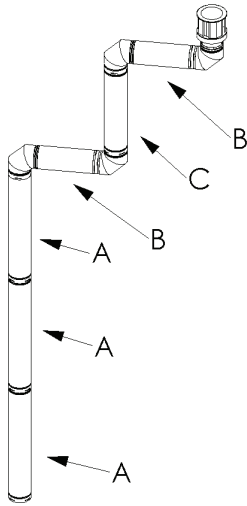
- Up to 4 - 90° elbows, or equivalent, maximum.
- The total vertical height up to 36' (10.97 m) maximum.
- Use vent restrictor on vents from 15' (4.57 m) to 20' (6.09 m) to obtain optimal flame appearance, see "VENT RESTRICTOR" and "BURNER FLAME APPEARANCE"
- The total horizontal run up to 20' (6.09 m) maximum.
- Note: 2' (0.6m) minimum of vertical height required.
- All rear vent applications require a listed snorkel termination.

NOTE: Maximum vent lengths may be subject to local codes.

For best venting performance, here are some general venting rules:

1. Use only vent systems and components certified for use with this appliance.
2. Maintain a minimum of 1" (26 mm) clearance to combustibles from the outside surfaces of vertical vents and minimum of 1" (26 mm) sides and bottom, and 13" (330 mm) from top surfaces of horizontal vents. Always use a wall thimble when passing through combustible construction.
3. Observe all local code restrictions, if any, regarding the installation of this type of gas appliance.
4. Observe the vent height and length restrictions given in this manual.
5. Never slope horizontal vents downwards.
6. Maintain at least an upward slope of 1/4" (7 mm) for every 1 ft (305 mm) of horizontal vent.
7. Terminate the vent with a termination certified for use with this appliance.
8. Support horizontal vent every 3 ft (915 mm) to prevent it from sagging.

VERTICAL VENTING



Example 1

V Value = 3A (12') + 1C (3') = 15'

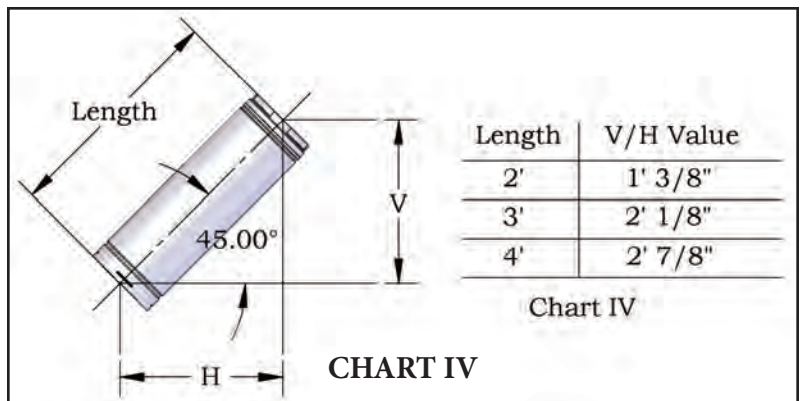
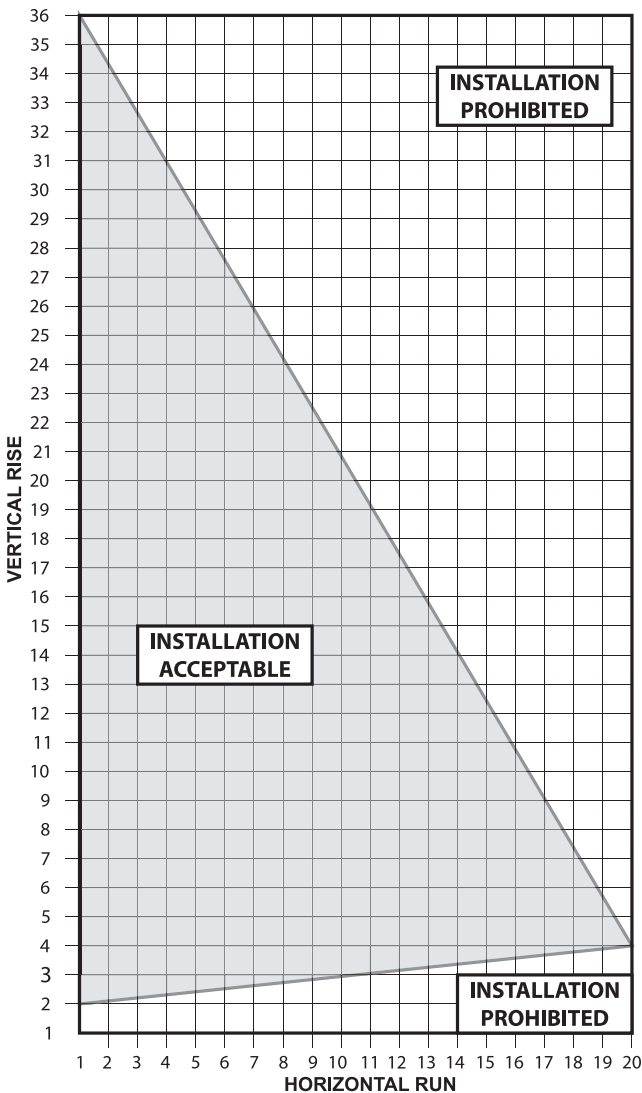
H Value = 2B (4') = 4'

V Value = Total length of all vertical sections in feet.

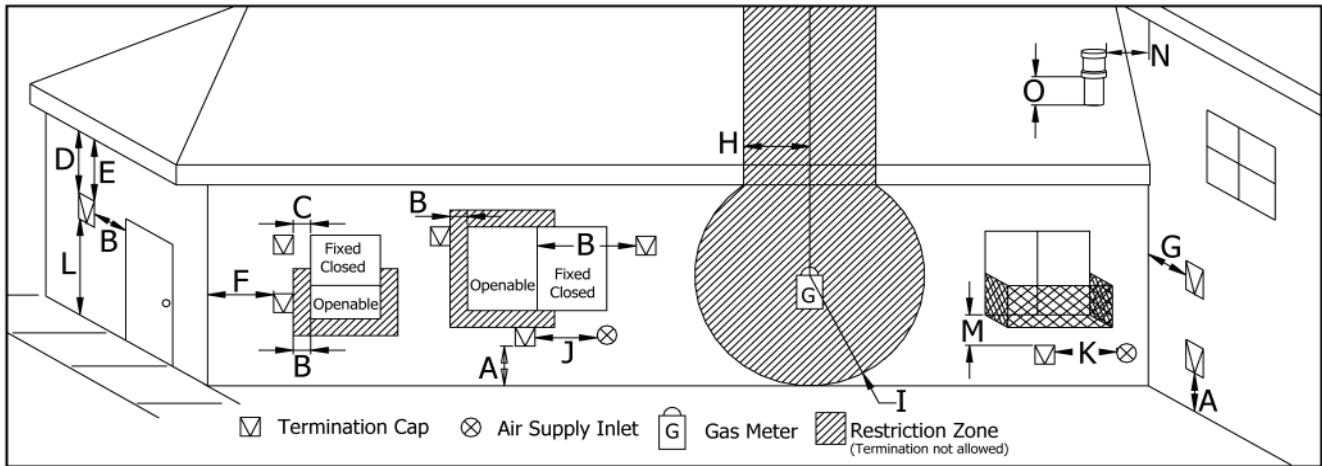
H Value = Total length of all horizontal sections in feet.

Note:

- for H & V values for 45° venting, see Chart IV
- elbows are not counted in H or V values
- vent chart starts from the top of the unit



VENT TERMINATION RESTRICTIONS



VENT TERMINATION RESTRICTIONS, REFER TO Table 1

Table 1 VENT TERMINATION CLEARANCES

Letter	Canadian Installation ¹	US Installation ²	Description
A	12 in (30 cm)		Clearance above grade, verandah, porch, deck, or balcony.
B	12 in (30 cm)	9 in (23 cm)	Clearance from window or door that may be opened.
C	12 in (30 cm)*		Clearance from permanently closed window (to prevent condensation).
D	24 in (60 cm)*		Vertical clearance to ventilated soffit located above the terminal, within a horizontal distance of 2 ft (60 cm) from center line of terminal.
E	12 in (30.5 cm) to 24" (61 cm)		Clearance to unventilated soffit.
F	12 in (30 cm)*		Clearance to outside corner.
G	12 in (30 cm)*		Clearance to inside corner.
H	3 ft (91 cm) within a height of 15 ft (4.5 m) above the meter/regulator assembly	3 ft (91 cm) within a height of 15 ft (4.5 m) above the meter/regulator assembly*	Clearance to each side of center line extended above meter/regulator assembly.
I	3 ft (91 cm)	3 ft (91 cm)*	Radial clearance around service regulator vent outlet.
J	12 in (30 cm)	9 in (23 cm)	Clearance to non-mechanical air supply inlet to building, or the combustion air inlet to any other appliance.
K	6 ft (1.83 m)	3 ft (91 cm) above if within 10 ft (3 m) horizontally	Clearance to mechanical air supply inlet.
L	7 ft (2.13 m) ^t	7 ft (2.13 m) ^{*t}	Clearance above paved sidewalk or paved driveway located on public property.
M	12 in / 30 cm ⁺	12 in / 30 cm ^{*+}	Clearance under verandah, porch, deck, or balcony.
N	12 in (30 cm)*		Clearance horizontally to any surface (such as an exterior wall) for vertical terminations.
O	12 in (30 cm)		Clearance above roof line for vertical terminations.

¹ In accordance with the current CSA B149, Natural Gas and Propane Installation Code.

² In accordance with the current ANSI Z223.1 NFPA 54, National Fuel Gas Code.

* These numbers are only estimates.

^t A vent shall not terminate directly above a side walk or paved driveway that is located between two single family dwellings and it serves both dwellings.

⁺ Permitted only if verandah, porch, deck, or balcony is fully open on a minimum of two sides beneath the floor.

Clearances are in accordance with local installation codes and the requirements of the gas supplier.

NOTE: Venting terminals shall not be recessed into walls or siding.

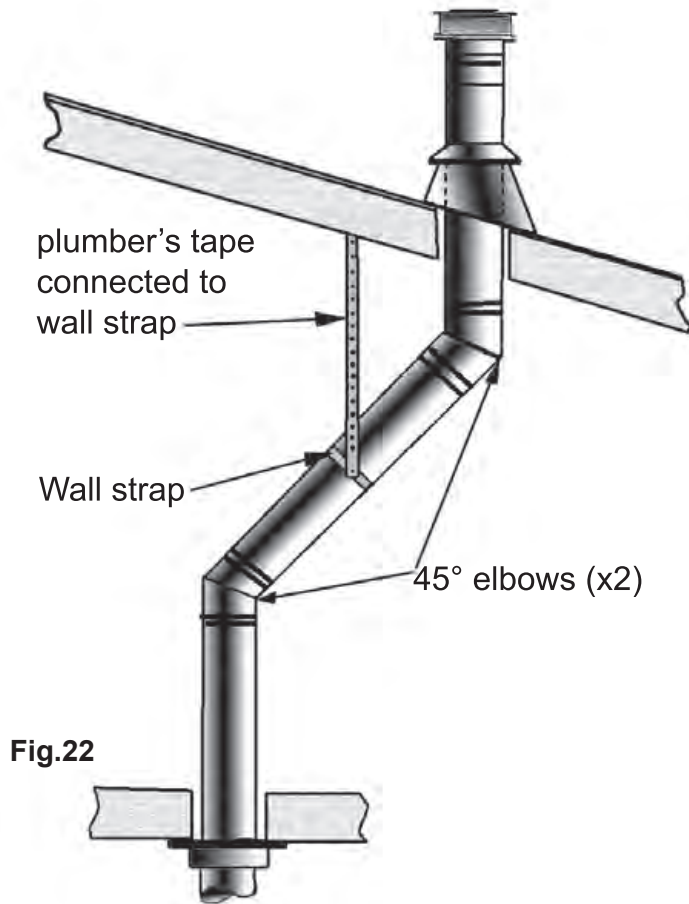


Fig.22

NOTE:

- If an offset is necessary in the attic to avoid obstructions, it is important to support the vent pipe every 3'0" (914 mm), to avoid excessive stress on the elbows, and possible separation. Use wall straps as needed. (Fig.22)
- As much as possible use 45° elbows rather than 90° elbows. With 45° elbows there is less restriction to the flow of flue gases and intake air.
- For multi story installations; a ceiling firestop is required at the second floor, and any subsequent floors (Fig.23). The opening should be framed to 10" (254 mm) x 10" (254 mm) inside dimensions, in the same manner as shown in (Fig.21).
- Any occupied areas above the first floor, including closets and storage spaces, which the vertical vent passes through, must be enclosed. The enclosure may be framed and sheet-rocked with standard building materials. However consult the appliance manufactures installation instructions for the minimum allowable clearance between the outside of the vent pipe, and the combustible surfaces of the enclosure. Do not fill any required air spaces with insulation.

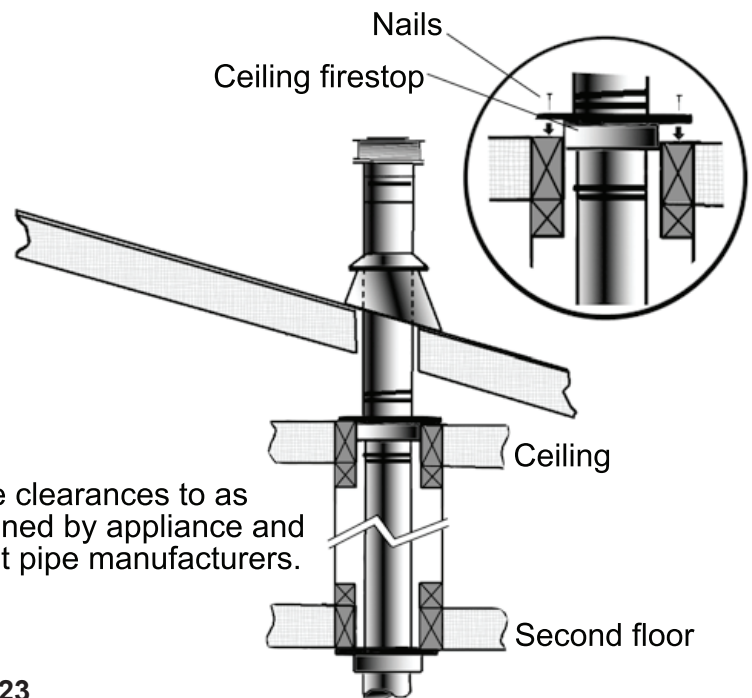
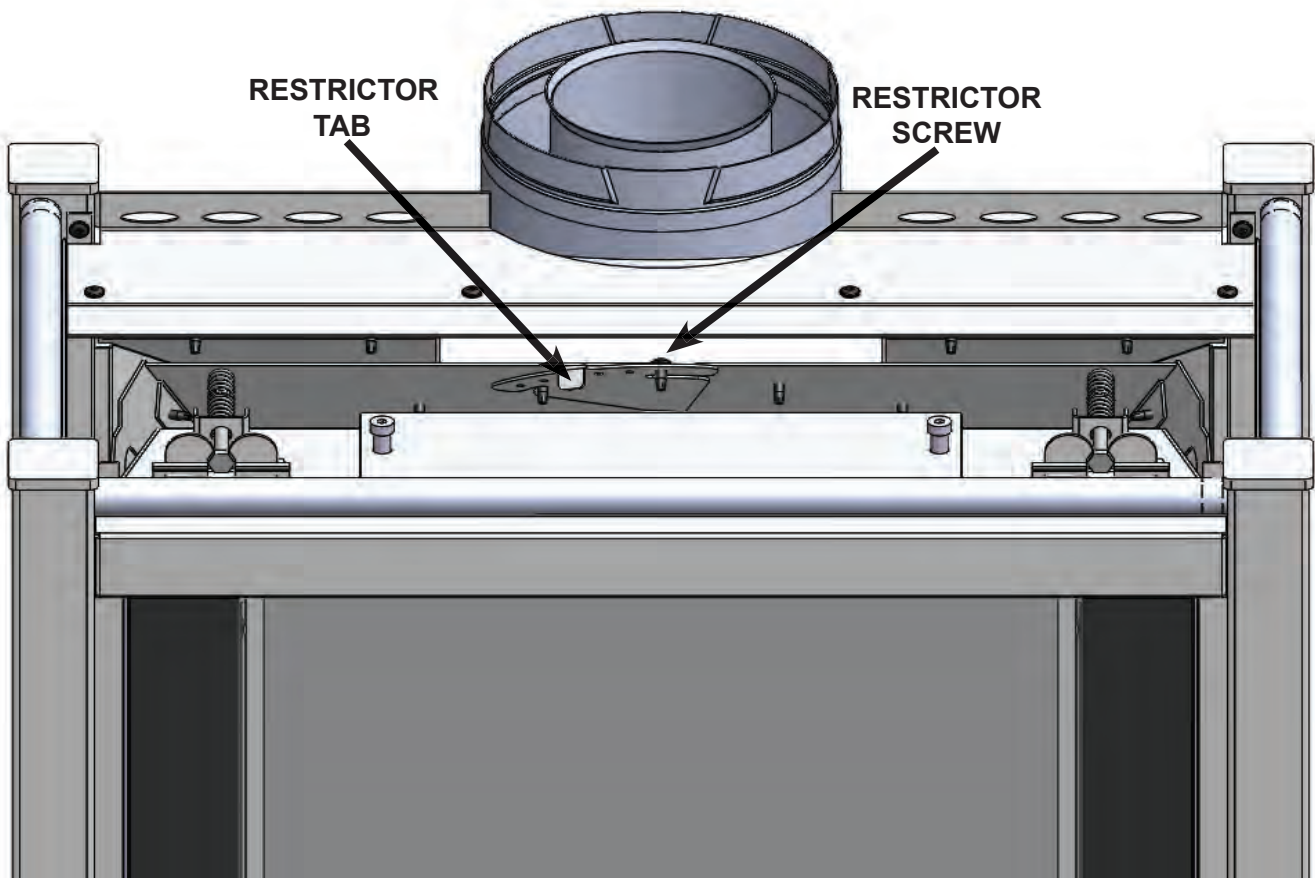


Fig.23

VENT RESTRICTOR

Due to the high draft produced by certain venting configurations the vent restrictor may be adjusted to maintain performance. If vent restriction is necessary it can be adjusted as follows:

1. Turn off the appliance and allow it to cool down completely.
2. Remove the top lid assembly from the top of the appliance and set it aside.
3. Unscrew the restrictor screw and set it aside.
4. Adjust the restrictor tab to one of the six holes to obtain desired flame and screw restrictor screw back into restrictor tab.
5. Reinstall the top lid assembly.



AIR SHUTTER ADJUSTMENT

The air shutter allows the amount of air coming into the burner to be adjusted in order to accommodate different climates and venting arrangements.

1. To access the air shutter adjustment lever, open the hinged door beneath the firebox, it is in the upper left-hand side. **(Fig.24)**
2. Start the pilot and then the burner. Allow the appliance to operate for 15 minutes before making any air adjustments.
3. The ideal flame will be blue at the base and light orange above. If the flames are short and mostly blue, the fireplace is getting too much air. Therefore, the air shutter should be closed slightly until the correct flames are achieved. Slide the air shutter to the right to reduce the amount of air.
4. Flames that are very orange, with tall, dark, stringy tips, are not getting enough air. Therefore, the air shutter should be opened slightly until the correct flames are achieved. Slide the air shutter to the left to increase the amount of air.
5. Tighten air shutter lock screw.

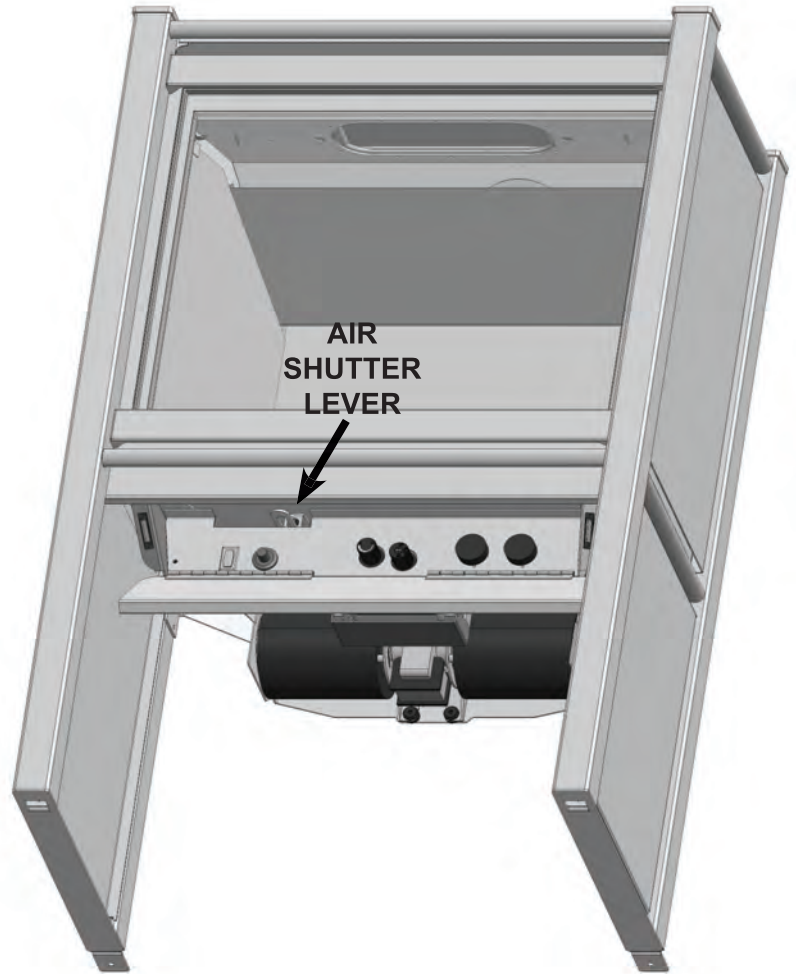


Fig.24

BURNER FLAME APPEARANCE

The ideal flame will be blue at the base and light orange above. If the flames are short and mostly blue, the fireplace is getting too much air. Therefore, the air shutter should be closed slightly until the correct flames are achieved, see air shutter adjustment above.

Flames that are very orange, with tall dark, stringy tips, are not getting enough air. Therefore, the air shutter should be opened slightly until the correct flames are achieved, see air shutter adjustment above.



MOBILE HOME INSTALLATION

The CL26 can be installed in a mobile home but must be securely fastened to the floor. Use the provided mounting brackets to secure the appliance to the hearth or mobile home floor. (Fig.25) Ensure the unit is electrically grounded permanently to the chassis of the home.

⚠ WARNING

THE STRUCTURAL INTEGRITY OF THE MANUFACTURED HOME'S FLOOR, WALL, AND CEILING/ROOF MUST BE MAINTAINED.

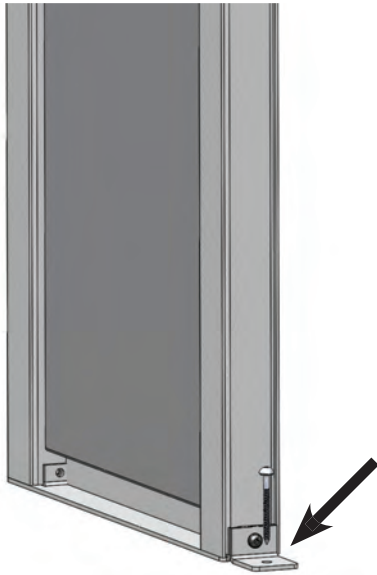
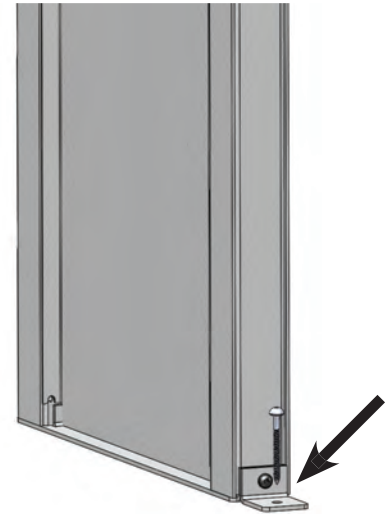


Fig.25

**ELECTRICAL REQUIREMENTS:**

For CL26.IPI and Z5177.SP FAN KIT

⚠ WARNING**ELECTRICAL GROUNDING INSTRUCTIONS**

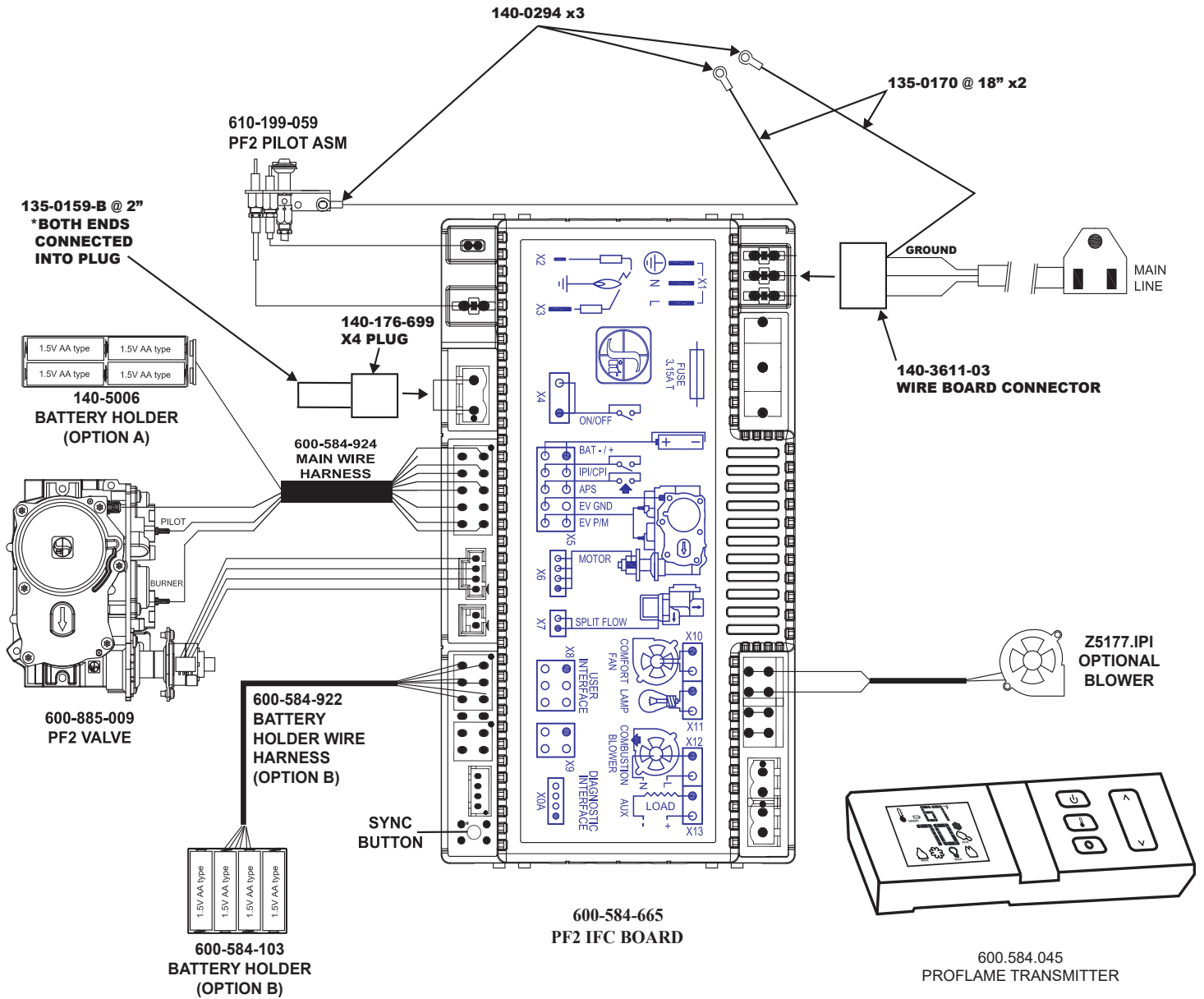
THIS APPLIANCE IS EQUIPPED WITH A THREE PRONG (GROUNDING) PLUG FOR YOUR PROTECTION AGAINST SHOCK HAZARD AND SHOULD BE PLUGGED DIRECTLY INTO A PROPERLY GROUNDED THREE PRONG RECEPTACLE . DO NOT CUT OR REMOVE THE GROUNDING PRONG FROM THIS PLUG.

ELECTRICAL GROUNDING INSTRUCTIONS

LABEL ALL WIRES PRIOR TO DISCONNECTION WHEN SERVICING CONTROLS. WIRING ERRORS CAN CAUSE IMPROPER AND DANGEROUS OPERATION.

VERIFY PROPER OPERATION AFTER SERVICING.

CONFIGURATION FOR CL26 IPI



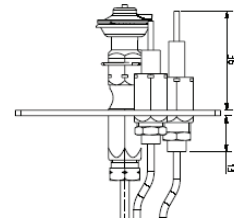
FOR YOUR SAFETY, READ BEFORE LIGHTING

WARNING: If you do not follow these instructions exactly, a fire or explosion may result causing property damage, personal injury or loss of life.

- A. This appliance is equipped with an ignition device which automatically lights the pilot. Do not try to light the pilot by hand.
- B. BEFORE LIGHTING, smell all around the appliance area for gas. Be sure to smell next to the floor because some gas is heavier than air and will settle on the floor.
WHAT TO DO IF YOU SMELL GAS:
 - Do not try to light any appliance.
 - Do not touch any electric switch; do not use any phone in your building.
 - Immediately call your gas supplier from a neighbour's phone. Follow the gas suppliers instructions.
 - If you cannot reach your gas supplier, call the fire department.
- C. Do not use this appliance if any part has been under water. Immediately call a qualified service technician to inspect the appliance and to replace any part of the control system and any gas control which has been under water.

LIGHTING INSTRUCTIONS

1. **STOP!** Read the safety information above.
2. Set the thermostat to the lowest setting.
3. Turn off all electric power to the appliance.
4. Do not attempt to light the pilot by hand.
5. Wait five (5) minutes to clear out any gas. Then smell for gas, including near the floor. If you smell gas, **STOP!** Follow "B" in the safety information above. If you don't smell gas, go to the next step.
6. You must now synchronize the remote with the Receiver/Battery Pack (for 1st time use) by pressing the PRG button on the Battery Pack (**FIG 1** (Battery Pack is situated behind the hinged panel that is below the firebox)) followed by pressing the "ON" button on the remote.
7. Press the "ON" button on the Remote (**FIG 2**) or if not using the Remote turn the switch on the Battery Pack to the "ON" position (see **FIG 1**).
8. If the appliance will not operate, follow the instructions "To Turn Off Gas To Appliance" and call your service technician or gas supplier.



TO TURN OFF GAS TO THE APPLIANCE

1. Press the "OFF" button on the remote or if not using the remote turn the switch on the battery pack to the "OFF" position. (See **FIG 1**)
2. Turn off all electric power to the appliance.

WARNING

Improper installation, adjustment, alteration, service or maintenance can cause injury or property damage. Refer to the owner's information manual provided with this appliance. For assistance or additional information, consult a qualified installer, service agency or your gas supplier.

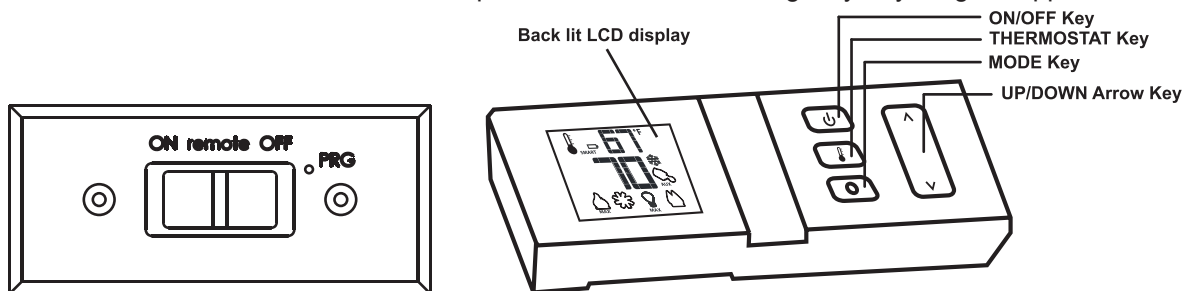
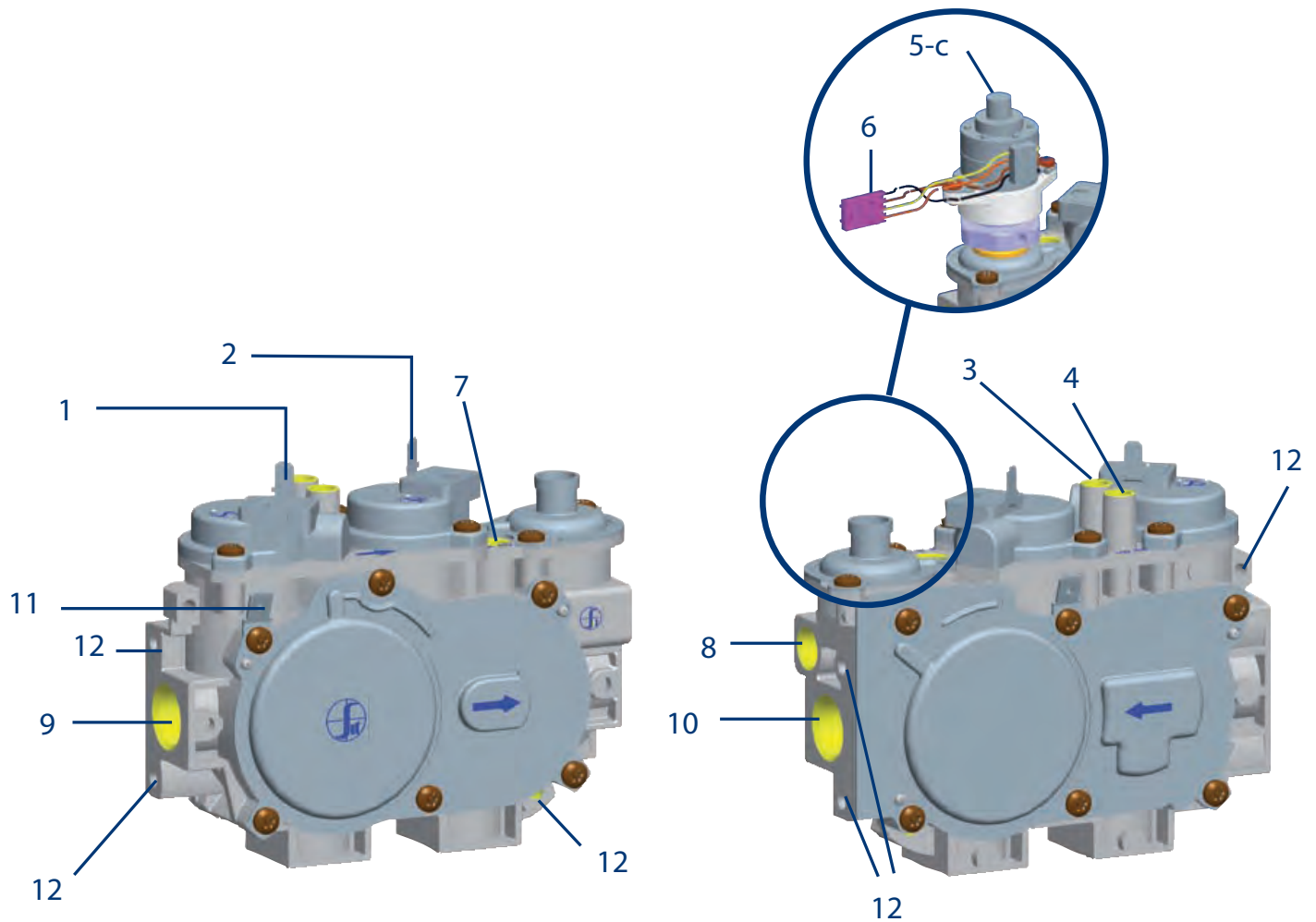


FIG 1: RECEIVER / BATTERY PACK

FIG 2: WALL MOUNT / REMOTE

170.0363



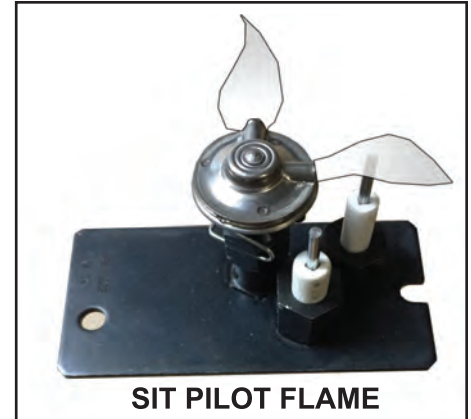
885 PROFLAME VALVE	
1	ON-OFF solenoid EV1 terminals
2	ON-OFF solenoid EV2 terminals
3	Inlet pressure test point
4	Outlet pressure test point
5-c	Electrical pressure modulator device
6	Pressure modulator device terminal
7	Pilot adjusting screw
8	Pilot outlet
9	Gas inlet with protective seal
10	Gas outlet with protective seal
11	Ground connection
12	Mounting holes

PROFLAME 2 WALL MOUNT TRANSMITTER / REMOTE OPERATION Intermittent Pilot Ignition (IPI)

The Proflame 2 Transmitter is an integrated part of the Proflame 2 System, which consists of these elements:

A Proflame 2 wall mount transmitter / remote, and an Integrated Fireplace Controller (IFC) with a wiring harness that connects to the gas valve, stepper motor and convection fan. The Proflame Transmitter provides for controlling the following hearth appliance functions:

1. Main Burner On/Off
2. Main Burner flame modulation (6 levels)
3. Choice of continuous or intermittent pilot (CPI or IPI)
4. Thermostat and Smart thermostat functions



SIT PILOT FLAME

The Proflame Transmitter uses a streamline design with a simple button layout and informative LCD display (Fig. 1). A Mode Key is provided to index between the features and a Thermostat Key is used to turn on/off or index through Thermostat functions (Fig. 1 & 2). Additionally, a Key Lock feature is provided (Fig. 19, page 15). An optional kit (S.0900) is available to allow the unit to be controlled via smart phone app. It includes a wireless dongle, harness, and upgraded proflame connect transmitter / remote.

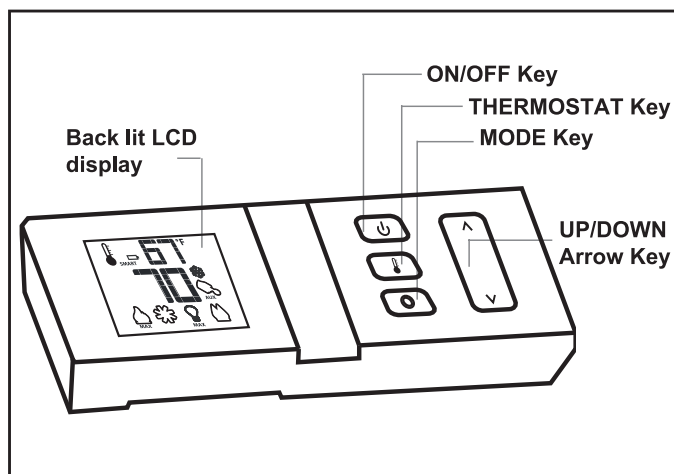


Fig.26: Proflame Transmitter

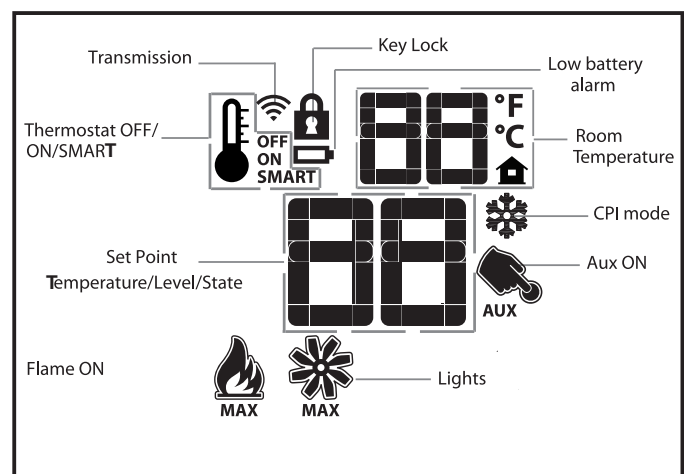


Fig.27: Transmitter LCD Display

⚠ WARNING

- THE TRANSMITTER AND RECEIVER ARE RADIO FREQUENCY DEVICES. PLACING THE TRANSMITTER IN OR NEAR METAL MAY SEVERELY REDUCE THE SIGNAL RANGE. METALLIC STRUCTURES OR RADIO INTERFERENCES CAN REDUCE THE OPERATIVE DISTANCE OF THE DEVICE DEPENDING ON TYPE OF FIREPLACE, INSTALLATION AND ENVIRONMENT.
- TURN "OFF" THE MAIN GAS SUPPLY OF THE APPLIANCE DURING INSTALLATION OR MAINTENANCE OF THE RECEIVER DEVICE.
- TURN "OFF" MAIN GAS SUPPLY TO THE APPLIANCE PRIOR TO REMOVING OR REINSERTING THE BATTERIES IN THE BATTERY HOLDER.
- IN CASE OF REMOTE CONTROL MALFUNCTION TURN OFF THE IFC DEVICE USING THE "ON/OFF" MAIN SWITCH.
- THE DEVICE IS NOT SUITABLE FOR THE USE OF RECHARGEABLE BATTERIES AND ITS OPERATIVE DISTANCE IS REDUCED WITH LOW BATTERY LEVEL.

WALL MOUNTING

The Proflame remote control is supplied with an adapter for wall mounting. Install the controller 1.5 m above floor level, well away from heat sources, kitchens, doors or windows. Metallic structures or radio interferences can reduce the operative distance of the device. Make sure to attach the adapter in a level plane without any distortion. Proceed as below:

- Detach the adapter from the body of the remote control wall transmitter. (Fig. 28)
- Position the adapter on the wall, mark the points for the fixing holes and drill the wall.
- Fix the adapter on the wall using the mounting hardware supplied with the remote control.
- Insert the remote control onto the adapter. (Fig. 29)

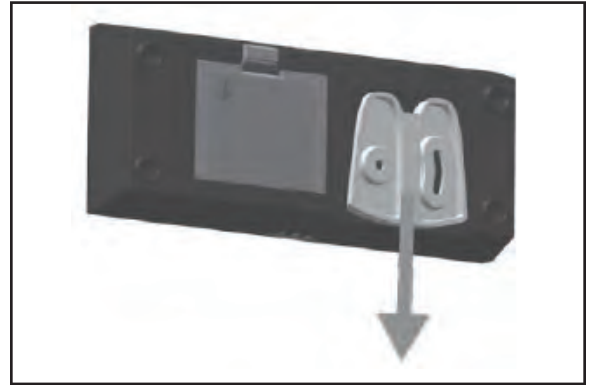


Fig.28

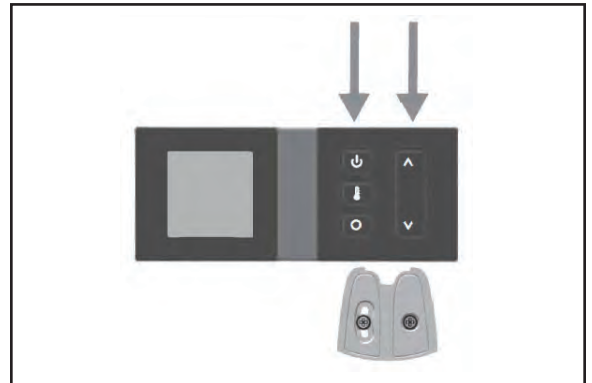


Fig.29

OPERATING PROCEDURE

Initializing the System for the First Time

Power the IFC control. Install the 3 AAA type batteries in the Transmitter battery bay, located on the base of the Transmitter. (Fig. 30) With the batteries already installed in the Transmitter, push the red “sync” button on the IFC control. Next push the On button on the Transmitter. The IFC control will “beep” to indicate the Transmitter’s command is accepted and sets to the particular code of that Transmitter. The system is now initialized.

Temperature Indication Display

With the system in the “OFF” position, press the Thermostat Key and the Mode Key at the same time. Look at the LCD screen on the Transmitter to verify that a C or F is visible to the right of the Room Temperature display. (Fig. 31 & 32)



Fig.30



Fig.31



Fig.32

OPERATING INSTRUCTIONS

Turn On the Appliance

With the system OFF, press the ON/OFF Key on the Transmitter. The Transmitter display will show some other active Icons on the screen. At the same time the Receiver will activate the appliance. A single “beep” from the Receiver will confirm reception of the command.

Turn Off the Appliance

With the system ON, press the ON/OFF Key on the Transmitter. The Transmitter LCD display will only show the room temperature (**Fig. 33**). At the same time the Receiver will turn off the appliance. A single “beep” from the Receiver confirms reception of the command.



Fig.33

Remote - Flame Control

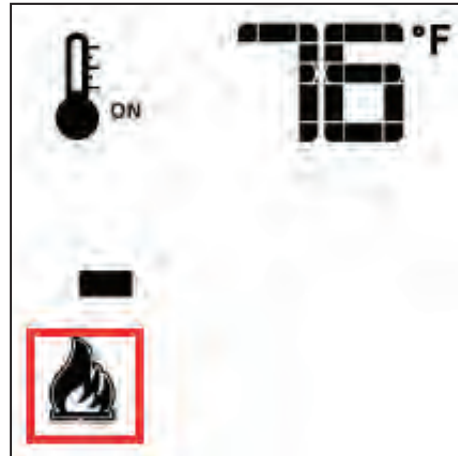
The proflame has six (6) flame levels. With the system on, and the flame level at the maximum in the appliance, pressing the Down Arrow Key once will reduce the flame height by one step until the flame is turned off.

The Up Arrow Key will increase the flame height each time it is pressed. If the Up Arrow Key is pressed while the system is on but the flame is off, the flame will come on in the high position. (**Fig. 34 & 35**) A single “beep” will confirm reception of the command.



Fig. 34

Flame Off



Flame Level 1

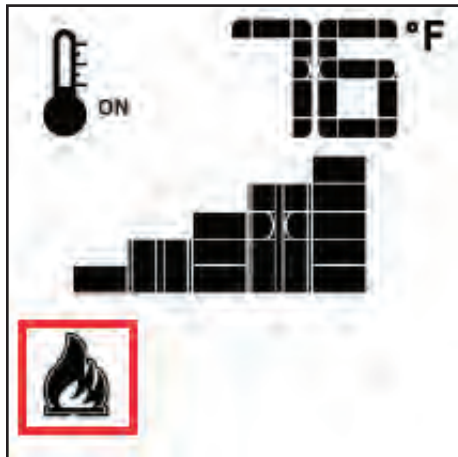
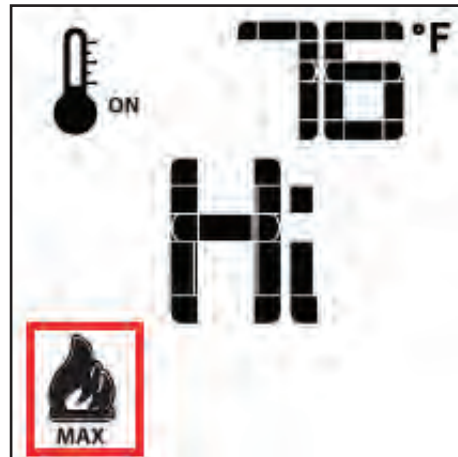


Fig. 35

Flame Level 5



Flame Level Maximum

Room Thermostat (Transmitter Operation)

The Remote Control can operate as a room thermostat. The thermostat can be set to a desired temperature to control the comfort level in a room.

To activate this function, press the Thermostat Key (**Fig. 26**). The LCD display on the Transmitter will change to show that the room thermostat is “ON” and the set temperature is now displayed (**Fig. 36**). To adjust the set temperature, press the Up or Down Arrow Keys until the desired set temperature is displayed on the LCD screen of the Transmitter.

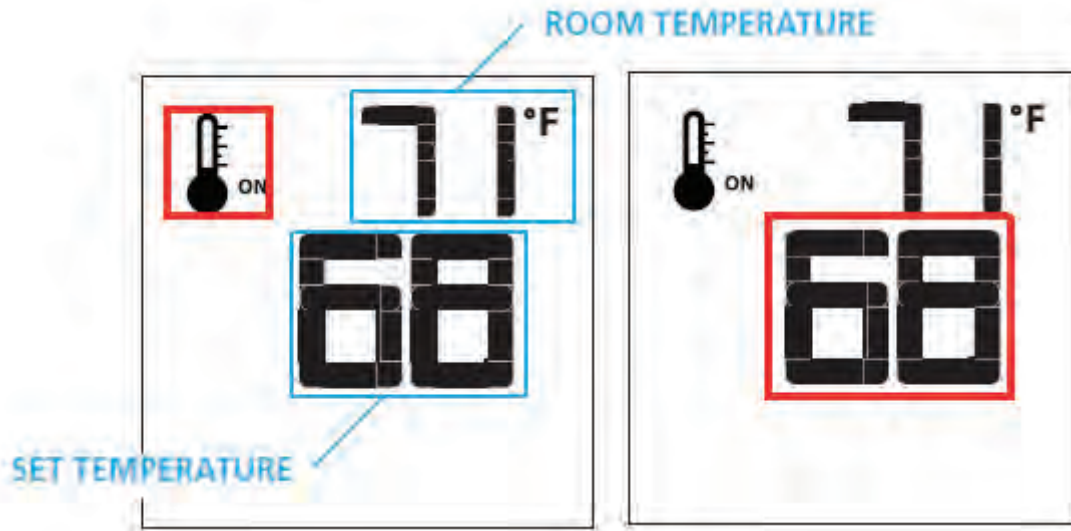


Fig. 36

Smart Thermostat (Transmitter Operation)

The Smart Thermostat function adjusts the flame height in accordance to the difference between the set point temperature and the actual room temperatures. As the room temperature gets closer to the set point the Smart Function will modulate the flame down.

To activate this function, press the Thermostat Key (**Fig. 26**) until the word “SMART” appears to the right of the temperature bulb graphic (**Fig. 37**).

To adjust the set temperature, press the Up or Down Arrow Keys until the desired set temperature is displayed on the LCD screen of the Transmitter.

Note. When Smart Thermostat is activated, manual flame height adjustment is disabled.

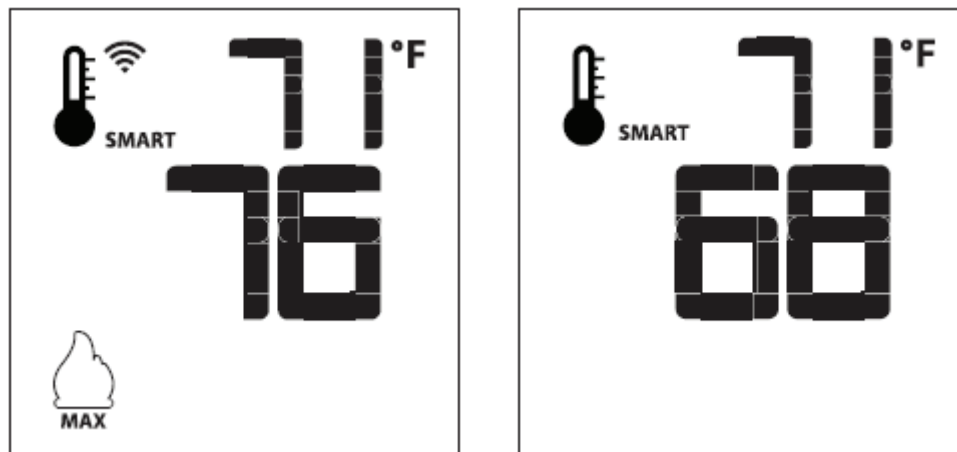


Fig. 37

Blower Speed Control

If the appliance is equipped with a blower. The speed of the blower can be controlled by the Proflame system. The blower speed can be adjusted through six (6) speeds. To activate this function use the Mode Key (Fig.26) to index to the blower control icon (Fig. 38). Use the Up/Down Arrow Keys (Fig.26) to turn on, off or adjust the blower speed (Fig. 39). A single “beep” will confirm reception of the command.



Fig. 38

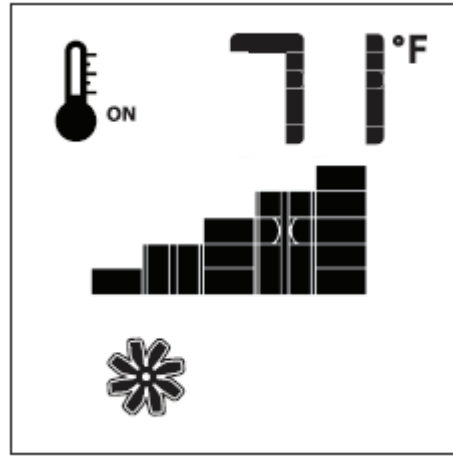


Fig. 39

Remote Auxiliary Relay Control

The auxiliary function controls the AUX relay outlet. To activate this function use the Mode Key (Fig. 26) to index to the AUX icon (Fig. 40 & 41).

Pressing the Up Arrow Key will activate the outlet. Pressing the Down Arrow Key will turn the outlet off. A single “beep” will confirm the reception of the command.



Fig. 40

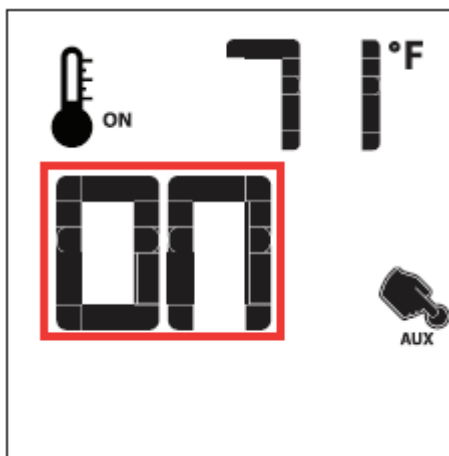


Fig. 41

Continuous Pilot / Intermittent Pilot (CPI/IPI) Selection

With the system in “OFF” position press the Mode Key (Fig. 26) to index to the CPI mode icon (Fig. 42 & 43). When enabled it will act as a standing pilot unit with an automatic shutoff timer that will turn the pilot off after 7 days.

Pressing the Up Arrow Key will activate the Continuous Pilot Ignition mode (CPI). Pressing the Down Arrow Key will return to IPI. A single “beep” will confirm the reception of the command.

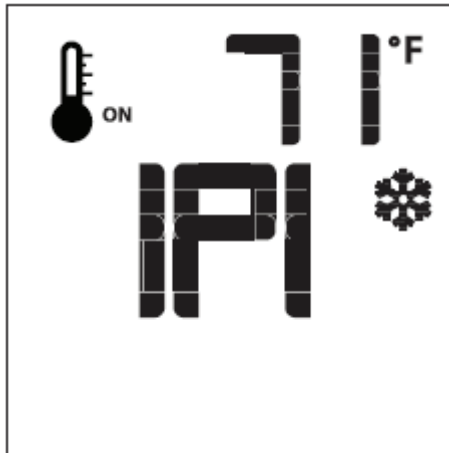


Fig. 42

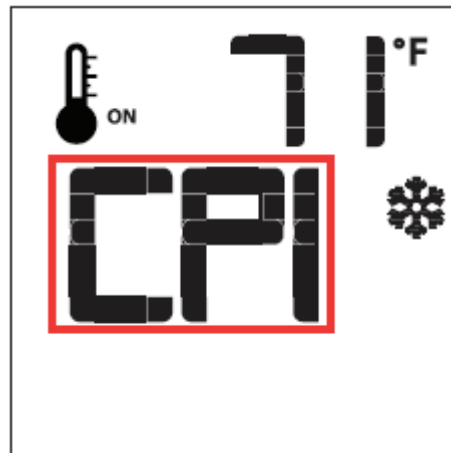


Fig. 43

Key Lock

This function will lock the keys to avoid unsupervised operation.

To activate this function, press the MODE and UP Keys at the same time (Fig. 44).

To de-activate this function, press the MODE and UP Keys at the same time.

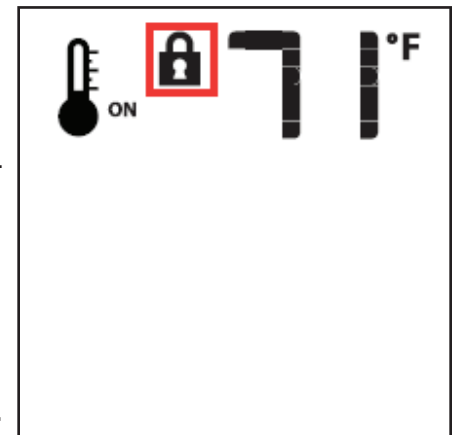


Fig. 44

Low Battery Power Detection

The life span of the remote control batteries depends on various factors: quality of the batteries used, the number of ignitions of the appliance, the number of changes to the room thermostat set point, etc.

When the Transmitter batteries are low, a Battery Icon will appear on the LCD display of the Transmitter (Fig. 45) before all battery power is lost. When the batteries are replaced this Icon will disappear.

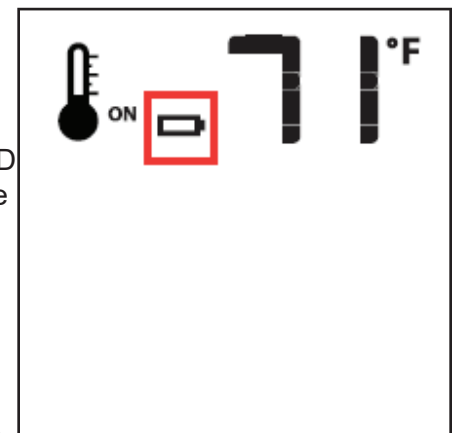


Fig. 45

BATTERY HOLDER / TRANSMITTER

The battery holder / transmitter consists of three elements:

Proflame 2 Transmitter

Proflame 2 Battery Holder

Proflame 2 Integrated Fireplace Control (IFC)

TECHNICAL DATA:

Supply voltage 6.0V (four 1.5 V AA batteries)

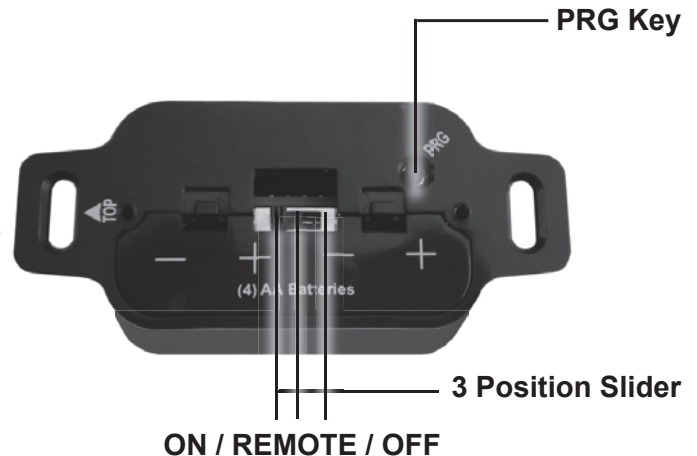
Ambient temperature ratings 0 - 60 °C (32 - 140 °F)

FUNCTIONS:

The Proflame 2 battery holder provides backup system power during line power interruption through the installed 4 AA batteries.

The Proflame 2 battery holder connects directly to the Proflame 2 integrated fireplace control (IFC) board through the 600.584.920 and 600.584.922 wire harness. The Proflame 2 battery holder has a three position slider switch for system control. The slider switch can be set to one of three positions:

1. OFF position: With the slider in OFF position, the system is "OFF". No function can be selected by the transmitter. No "beep" will be emitted from the Proflame 2 IFC when a command is sent by pressing any key on the transmitter (for example the ON / OFF key).
2. On position: With the slider in ON position, the burner flame is "ON". Only the other functions (Fan etc.) can be selected by the transmitter.
3. Remote position: With the slide in Remote position, all the functions can be selected by the transmitter.
4. Programming Button (PRG): When pushed allows a transmitter to be accepted for use by the system. See "Initializing the System for the first time" below.

**INITIALIZING THE TRANSMITTER / RECEIVER LINK SYSTEM FOR THE FIRST TIME**

Install the 4 AA batteries into the Proflame 2 Battery holder battery bay, it is located behind the magnetic pull down flap that is directly below the firebox. Note the polarity of the battery and insert into the battery bay as indicated on the cover (+/-). Place the 3 position slider switch in the "Remote" position. Press the "PRG" button on the Receiver front cover. The Receiver will "beep" to indicate that it is ready to synchronize with a Transmitter. Install 3 AAA type batteries in the Wall Mount Transmitter battery bay, located on the back of the Transmitter and push the On button. The Receiver will "beep" to indicate the Transmitter's command is accepted and set to the particular code of that Transmitter. The system is now initialized.

LOW BATTERY POWER DETECTION

The life span of the Proflame 2 IFC batteries depends on various factors: quality of the batteries used, the number of ignitions of the appliance, the number of changes to the room thermostat set point etc. When the Proflame 2 IFC batteries are low, two (2) "beeps" will be emitted from the Proflame 2 IFC every time it receives a command from the Transmitter. This is an alert for a low battery condition for the Proflame 2 IFC. When the batteries are replaced one (1) "beep" will be emitted from the Proflame 2 IFC when a command is sent by pressing any key on the transmitter (for example the ON / OFF key), see "Initialization of The System".

ROUTINE MAINTENANCE

Regularly:

- Clean and remove any lint accumulations or debris from the grills and combustion or convection air passage ways.
- Keep the appliance area free from combustible materials, such as paper, wood, clothing, gasoline, flammable solids, liquids and vapors.
- Visually check the height and color of the burner and pilot flames. The pilot flame should be blue with little or no yellow on the tips.
- Check for unusual noises or odors during operation of the appliance.
- Check the vent terminal for any damage, or obstruction by plants or debris accumulation.

It is recommended to periodically have your appliance serviced by a qualified service technician:

1. Remove the glass door (see “**GLASS DOOR REMOVAL**” on next page) and clean the inside of the glass with a soft, non-abrasive cloth and water or a suitable, mild, non-abrasive cleaner.
2. Remove and clean the glass floor panel and set aside.
3. Remove and clean the floor panel assembly, check the burner to see if all the ports are clear and clean. Check the pilot assembly to make sure it is not blocked by anything.
4. Completely inspect the appliance and the venting system.
5. Check the safety system of the gas valve.

CLEANING SURFACES

Painted, powder coated, or porcelain enameled surfaces should be wiped with a damp cloth periodically. Ensure the appliance has cooled down completely before any cleaning. Do not use other cleaners as they may leave a residue which can become permanently etched into the surface.

CLEANING THE GLASS

WARNING

DO NOT TO CLEAN THE GLASS WHILE IT IS HOT

One of the by-products of combustion and moisture in the firebox is a white film which can show up on the glass of the viewing door. Initial curing of the appliance can also leave a slight film on the glass, which is a temporary problem.

1. Turn off the appliance and allow it to cool down completely.
2. Remove the glass door from the firebox (see “**GLASS DOOR REMOVAL**” on next page)
3. Check the gasket material on the back of the glass. Ensure that it is attached and intact.
4. Clean the glass with a mild glass cleaner and a soft cloth (see below). Abrasive cleaners will damage the glass

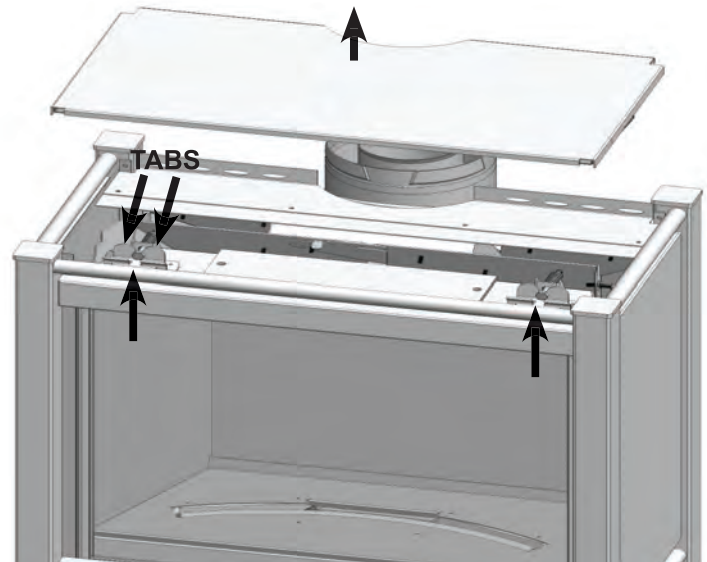
Slight soiling of SCHOTT ROBAX® panels can be removed using conventional glass cleaning products, provided they are used according to instructions of use, which means cleaning on cold surfaces. The residues should be removed since chemical attack is possible on exposure to temperature. The coated ROBAX® Mirror, ROBAX® TrueView, ROBAX® IR Max and ROBAX® Energy Plus can be cleaned with a soft cloth.

NOTE: IT IS NOT RECOMMENDED TO USE SCOURING PADS, ABRASIVE CLEANSERS OR SCOURING AGENTS, AS MAY CAUSE DAMAGE TO THE GLASS SURFACE. THE SCHOTT-RECOMMENDED DRY WIPER IS SUITABLE FOR USE ONLY ON UNCOATED FIRE VIEWING PANELS.

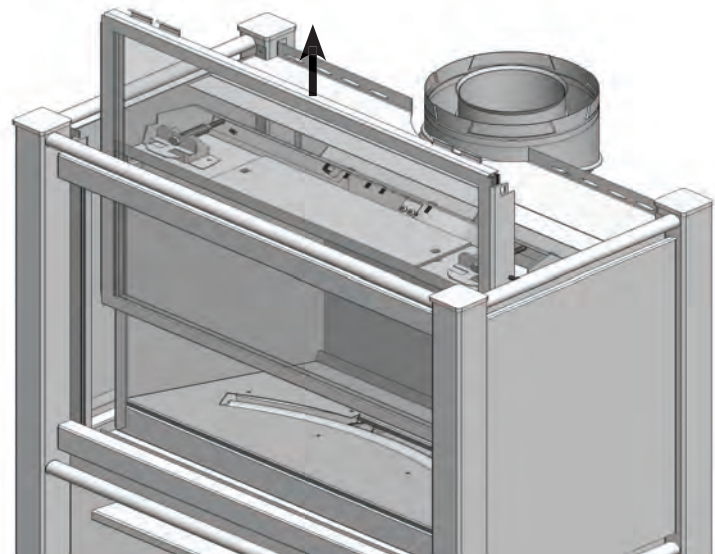
GLASS DOOR REMOVAL

For installation, cleaning, and burner removal the glass door must be removed.

1. Turn off the appliance and allow it to cool down completely.
2. Remove the top lid assembly from the top of the appliance and set it aside.(**Fig.46**)
3. There are two door latch mechanisms on top of the glass door.(**Fig.46**) Pull the tabs forward and up off the door tabs.
4. Carefully slide the door glass assembly up and out of the unit.(**Fig 47**)

**Fig.46****DOOR GLASS REPLACEMENT**

This glass in this appliance is a 5 mm high temperature anti-reflective ceramic glass that will easily withstand the heat that is produced. In the event the glass breaks or cracks, contact your dealer to arrange for your glass to be replaced with a factory replacement (see "**PARTS LIST**"). Do not operate this appliance with the glass front removed, cracked, or broken. Removal and replacement of the glass from the door must be done by a qualified service technician. The glass must be purchased from a Blaze King dealer. No substitute materials are allowed.

**Fig.47**

BURNER REMOVAL

1. Turn off the appliance and allow it to cool down completely.
2. Remove the glass door and safety screen (see “**GLASS DOOR REMOVAL**” on previous page and “**SAFETY SCREEN REMOVAL**” below)
3. Remove the glass floor plate and set it aside. (Fig.48)
4. Remove the floor plate assembly and set it aside. (Fig.48)
5. Remove left and right glass panels by loosening the tab on the top edge closest to the door. Set the panels aside.
6. Remove the screw from the right hand side of the burner assembly. (Fig.48)
7. Move the burner to the right, up, and out.

To re-install the burner follow steps 1 to 7 in reverse. Ensure the burner is centered in the curved burner slot of the floor plate.

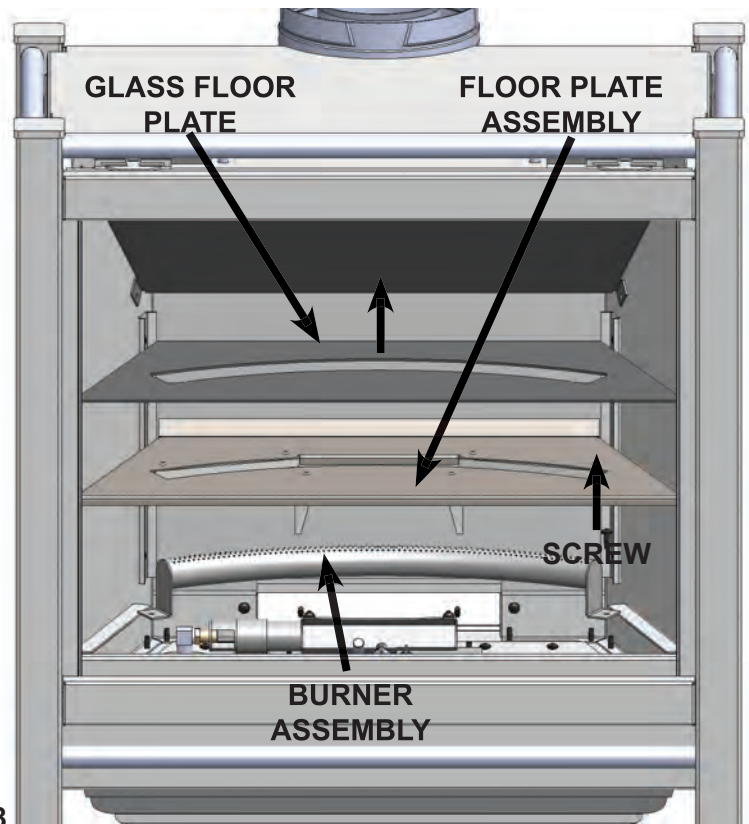


Fig.48

SAFETY SCREEN REPLACEMENT

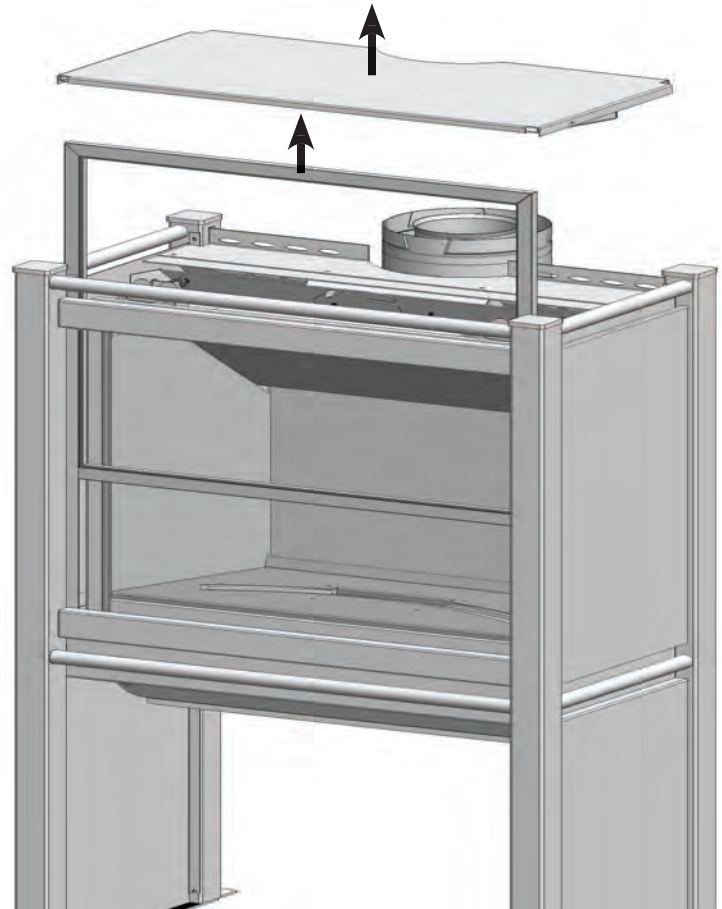
The CL26 is supplied with a safety screen pre-installed behind the front legs. If the safety screen becomes damaged it must be replaced with part #645.1821

1. Turn off the appliance and allow it to cool down completely.
2. Remove the top lid assembly from the top of the appliance and set it aside. (Fig.49)
3. Slide the safety screen up and out.
4. Slide the new safety screen in between the front legs and the brackets. Ensure screen mesh faces out, furthest from glass.
5. Place the top lid assembly back into position.

SCREEN MESH TO THIS SIDE →



Fig.49



FUEL CONVERSION**⚠ WARNING**

THIS CONVERSION KIT SHALL BE INSTALLED BY A QUALIFIED SERVICE AGENCY IN ACCORDANCE WITH THE MANUFACTURER'S INSTRUCTIONS AND ALL APPLICABLE CODES AND REQUIREMENTS OF THE AUTHORITIES HAVING JURISDICTION. IF THE INFORMATION IN THESE INSTRUCTIONS IS NOT FOLLOWED EXACTLY, A FIRE, EXPLOSION OR PRODUCTION OF CARBON MONOXIDE MAY RESULT CAUSING PROPERTY DAMAGE, PERSONAL INJURY OR LOSS OF LIFE. THE QUALIFIED SERVICE AGENCY IS RESPONSIBLE FOR THE PROPER INSTALLATION OF THE KIT. THE INSTALLATION IS NOT COMPLETE UNTIL THE OPERATION OF THE CONVERTED APPLIANCE IS CHECKED AS SPECIFIED IN THE INSTRUCTION MANUAL SUPPLIED WITH THE KIT. BEFORE PERFORMING THIS OR ANY SERVICE PROCEDURE, MAKE SURE THAT THE GAS SUPPLY TO THE UNIT AND THE ELECTRICAL SUPPLY ARE SHUT OFF.

CONVERSION KIT CONTENTS

The conversion kit contains the following parts:

- S.Z0765 (LPG)> #635.OR1.5 (1.5 mm orifice), 635.977.168 (PF2 LP pilot orifice #35), and LPG regulator.
- S.Z0766 (NG)> #635.OR39 (#39 orifice), 635.977.166 (PF2 NG pilot orifice #62) and NG regulator.
- Conversion Kit labels.

To convert from NG to LPG or reverse:

1. Turn off the appliance and allow it to cool down completely
2. Remove burner (see "**BURNER REMOVAL**" on previous page)
3. Replace main orifice
4. Convert pilot fuel (see next page)
5. Replace regulator (see instructions after pilot conversion)

All valves have been pre-set and certified for installation at elevations from 0 – 4500 feet (1 – 1372m) above sea level.

HIGH ELEVATIONS

When installing this unit at higher elevations, it is necessary to decrease the input rating by replacing the existing burner orifice with a smaller size for installations over 4500 feet (1370 m). Above 4500 ft, the appliance input should be reduced 4% for each additional 1000 feet (305m). For the USA, derate the unit according to the gas installation code.



How to convert CL26 IPI pilot orifice:

1. Remove the spring clamped hood from pilot and set aside (**Fig. 50**).
2. Unscrew orifice from pilot using a 4 mm allen key (**Fig.51**), then screw in the new orifice. (**Fig. 52**)
3. Align the pilot hood with the tab and re-attach the pilot hood to the spring clamp.
4. Fill out the fuel conversion label and affix between the two labels on the control panel door.

All valves have been pre-set and certified for installation at elevations from 0 – 4500 feet (1 – 1372m) above sea level.



Fig.50



Fig.51



Fig.52

STEPPER MOTOR PRESSURE REGULATOR CONVERSION KIT INSTALLATION OR REPLACEMENT INSTRUCTIONS.

Verify that the following items are present in the package.

- Pressure regulator assembly (E)
- Two (2) screws (F)
- Identification label (G)
- Installation instructions (this document).

- 1** Shut off the gas supply to the valve and shut down the electric supply.
- 2** See Fig. 1. Using a Torx T20, or slotted screwdriver, remove and discard the two (2) pressure regulator mounting screws (A), pressure regulator tower (B), and the spring and diaphragm assembly (C), (If applicable).
- 3** Ensure the rubber gasket (D), which is prefitted as part of assembly (E), is properly positioned, see Fig. 2, otherwise fit the gasket as shown Fig. 2.
- 4** Install the new STEPPER MOTOR pressure regulator assembly, as shown in Fig. 3 and Fig. 4. Use the supplied screws (F), M4 x 0.7 threaded, length of thread $L=(16\text{ mm} + 0 - 0.5\text{ mm})$, steel material, resistance class 8.8 (see Fig. 5).
- 5** Manually thread the two conversion kit mounting screws into the valve body. Use a standard screwdriver or T20 Torx bit and tighten to the screws with a fixing torque of $25\text{lb-in} \pm 5\%$.
IN THE EVENT THAT THE THREADS OF THE VALVE ARE STRIPPED OR DAMAGED, REPLACE THE VALVE.
- 6** Install the enclosed identification label (G) to the valve body where it can be easily seen.
- 7** Make STEPPER MOTOR and valve electrical connections, apply gas to system and relight appliance according to manufacturers instructions.
- 8** With the main burner "ON", test the new pressure regulator assembly for leaks using a soap solution.
- 9** Relight the main burner and verify proper burner ignition and operation.

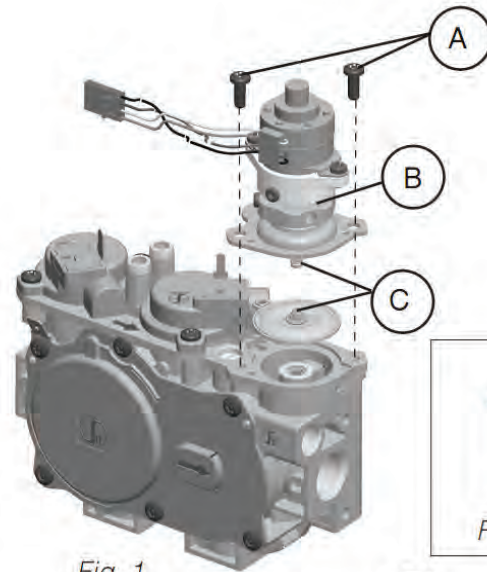


Fig. 1

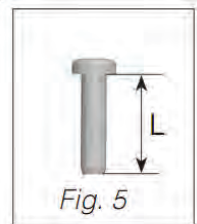


Fig. 5

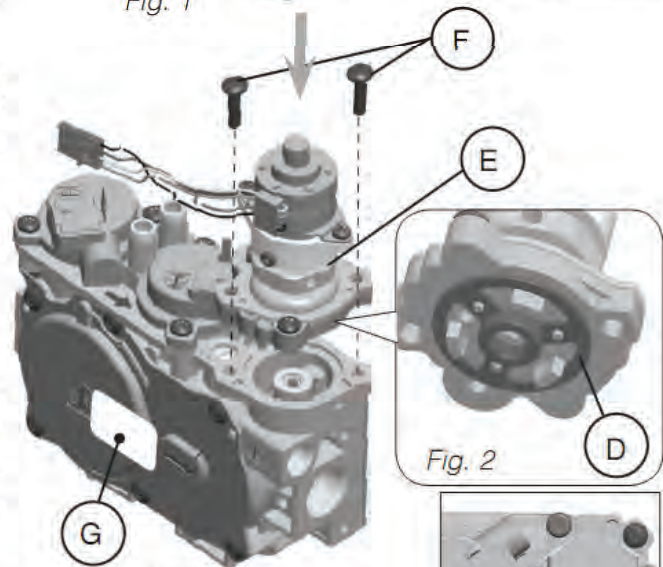


Fig. 3

Fig. 2

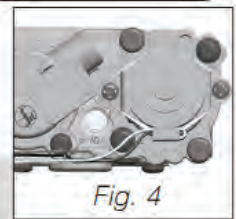


Fig. 4

WARNING!
Installation should be carried out in a clean environment.

WARNING!
This modulating conversion kit must **ONLY** be applied as part of a conversion kit supplied by the **APPLIANCE MANUFACTURER** for the specific appliance, and type of gas, being converted.

WARNING!
Correct operation of the system cannot be guaranteed if the conversion kit or valve has been dropped or has sustained a strong impact.

INSTALLER NOTICE. These instructions must be left with appliance.

TO BE DONE BY QUALIFIED PERSONNEL ONLY

1. Disconnect the gas, see gas valve shutoff, and electricity to the appliance.
2. Remove fan if installed.
3. Remove the bottom and rear wire shields (7 screws, 1 ground). (Fig.53)
4. Undo the gas lines (one in, two out , and pilot).
5. Disconnect all electrical connections to valve including ground wire.
6. Remove the four screws holding the valve and valve bracket to the firebox bottom and remove valve. (Fig.54)
7. Installation is the reverse order of the previous steps.

**NOTE: WHEN INSTALLING NEW VALVE, CHECK IF ANY UNUSED PORTS ARE PLUGGED.
CHECK OUTLET PRESSURE (3.8" W.C.) AND CHECK FOR LEAKS**

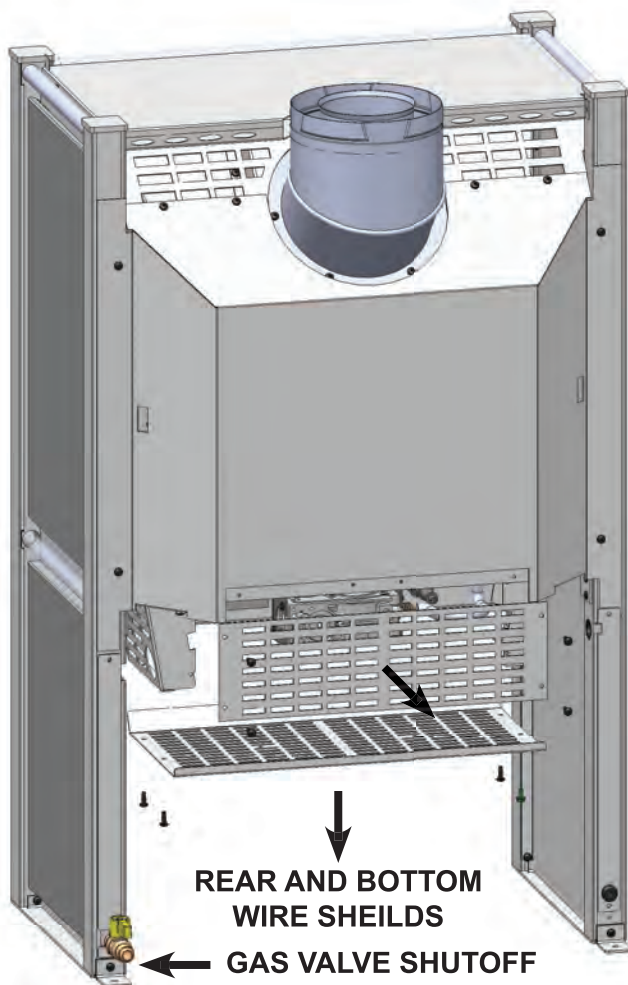


Fig.53

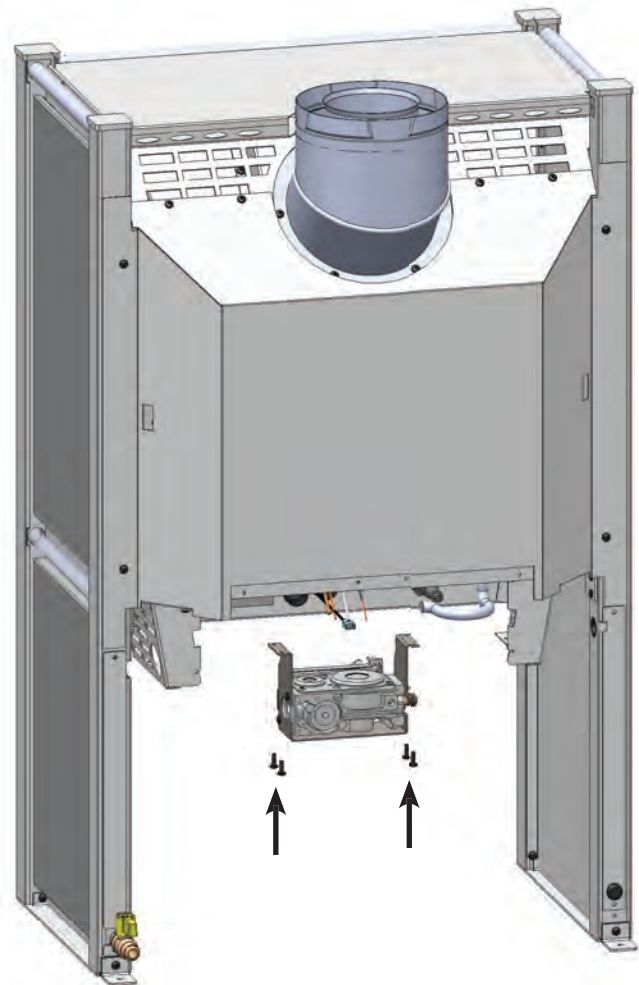


Fig.54

SELKIRK PARTS LIST		
PRODUCT NUMBER	PART	DESCRIPTION
4" x 6 5/8" LENGTHS		
1604006	4DT- 6	DIRECT-TEMP 6" PIPE LENGTH
1604006B	4DT- 6B	DIRECT-TEMP 6" PIPE LENGTH BLACK
1604009	4DT- 9	DIRECT-TEMP 9" PIPE LENGTH
1604009B	4DT- 9B	DIRECT-TEMP 9" PIPE LENGTH BLACK
1604012	4DT-12	DIRECT-TEMP 12" PIPE LENGTH
1604012B	4DT-12B	DIRECT-TEMP 12" PIPE LENGTH BLACK
1604018	4DT-18	DIRECT-TEMP 18" PIPE LENGTH
1604018B	4DT-18B	DIRECT-TEMP 18" PIPE LENGTH BLACK
1604024	4DT-24	DIRECT-TEMP 24" PIPE LENGTH
1604024B	4DT-24B	DIRECT-TEMP 24" PIPE LENGTH BLACK
1604036	4DT-36	DIRECT-TEMP 36" PIPE LENGTH
1604036B	4DT-36B	DIRECT-TEMP 36" PIPE LENGTH BLACK
1604048	4DT-48	DIRECT-TEMP 48" PIPE LENGTH
1604048B	4DT-48B	DIRECT-TEMP 48" PIPE LENGTH BLACK
1604082	4DT-AJ12	DIRECT-TEMP 12" ADJ PIPE LENGTH
1604082B	4DT-AJ12B	DIRECT-TEMP 12" ADJ PIPE LENGTH BLACK
1604084	4DT-TL14	DIRECT-TEMP TELESCOPIC LENGTH 14"-22"
1604084B	4DT-TL14B	DIRECT-TEMP TELESCOPIC LEN BLACK 14"-22"
1604086	4DT-TL38	DIRECT-TEMP TELESCOPIC LENGTH 38"-70"
1604086B	4DT-TL38B	DIRECT-TEMP TELESCOPIC LEN 38"-70" BLACK
4" x 6 5/8" FITTINGS		
1604215	4DT-EL45	45 DEGREE ELBOW
1604215B	4DT-EL45B	45 DEGREE ELBOW BLACK
1604230S	4DT-EL90S	90S DEGREE ELBOW
1604230SB	4DT-EL90SB	90S DEGREE ELBOW BLACK
4" x 6 5/8" ADAPTERS		
1604245B	4DT-AA	APPLIANCE ADAPTER BLACK
1604246B	4DT-AAV	APPLIANCE ADAPTER VERMONT CASTING BLACK
1604247B	4DT-AA47	APPLIANCE ADAPTER UNIVERSAL/NAPOLEON 4x7
1604806	4DT-VS	VINYL SIDING STANDOFF
4" x 6 5/8" ACCESSORIES		
1604285	4DT-RD	RESTRICTION DISK
1604460B	4DT-WT	WALL THIMBLE BLACK
1604500	4DT-FS	FIRESTOP SPACER
1604502	4DT-TP	TRIM PLATE BLACK
1604806	4DT-VS	VINYL SIDING STANDOFF
2003503	4DTVSK	VINYL SIDING STANDOFF ROUND
1604490	4DT-AIS	ATTIC INSULATION SHIELD

SELKIRK PARTS LIST cont.		
PRODUCT NUMBER	PART	DESCRIPTION
4" x 6 5/8" SUPPORTS		
1604400	4DT-CS	CEILING SUPPORT
1604424	4DT-CCS	CATHEDRAL SUPPORT BOX
1604430	4DT-WS/B	WALL SUPPORT/BAND
1604435	4DT-OS	OFFSET SUPPORT
4" x 6 5/8" TERMINATIONS AND FLASHINGS		
1604620	4DT-VKC	VERTICAL TERMINATION KIT
1604621	4DT-HKA	HORIZONTAL TERMINATION KIT "A"
1604622	4DT-HKB	HORIZONTAL TERMINATION KIT "B"
1604802	4DT-VC	HIGH WIND VERTICAL CAP
1604804	4DT-HC	HORIZONTAL CAP
1604810	4DT-SC	STORM COLLAR
1604825	4DT-AF6	ADJ FLASH 0/12-06/12
1604830	4DT-AF12	ADJ FLASH 6/12-12/12
1604838	4DT-ST36	SNORKEL TERMINATION 36"

AMERIVENT PARTS LIST			
4" x 6 5/8" LENGTHS			
PART	DESCRIPTION	PART	DESCRIPTION
4D7	7" Length	4D90L	90° Elbow
4D7B	7" Length - Black	4D90LB	90° Elbow - Black
4D12	12" Length	4DWT	Wall Thimble
4D12B	12" Length - Black	4DVC	Vertical Cap
4D2	24" Length	502672	Horizontal Cap, Square 4DHCS
4D2B	24" Length - Black	4D36S	Siding Shield for 4DHCS (4DHVS)
4D3	36" Length	4DHWS	Wind Screen
4D3B	36" Length - Black	4DWS	Wall Strap
4D4	48" Length	4DFSP	Firestop Support Plate
4D4B	48" Length - Black	4DF	Flashing - 0/12-6/12 Pitch
4D7A	7" Adjustable Length	4DF12	Flashing - 6/12-12/12 Pitch
4D7AB	7" Adjustable Length - Black	4DSC	Storm Collar
4D12A	12" Adjustable Length	4DAIS12	Attic Insulation Shield
4D12AB	12" Adjustable Length - Black	4DCAT43	Attic Insulation Shield - Cold Climates
4D16A	16" Adjustable Length	4DVTK	Vertical Kit*
4D16AB	16" Adjustable Length - Black	4DHTK1	Horizontal Kit #1**
4D26A	26" Adjustable Length	4DHTK2	Horizontal Kit #2***
4D26AB	26" Adjustable Length - Black	4DFPB	Face Plate for Ceiling Support/Wall Thimble - Black
4D45L	45° Elbow	4DRSB	Roof Support - Black
4D45LB	45° Elbow - Black		

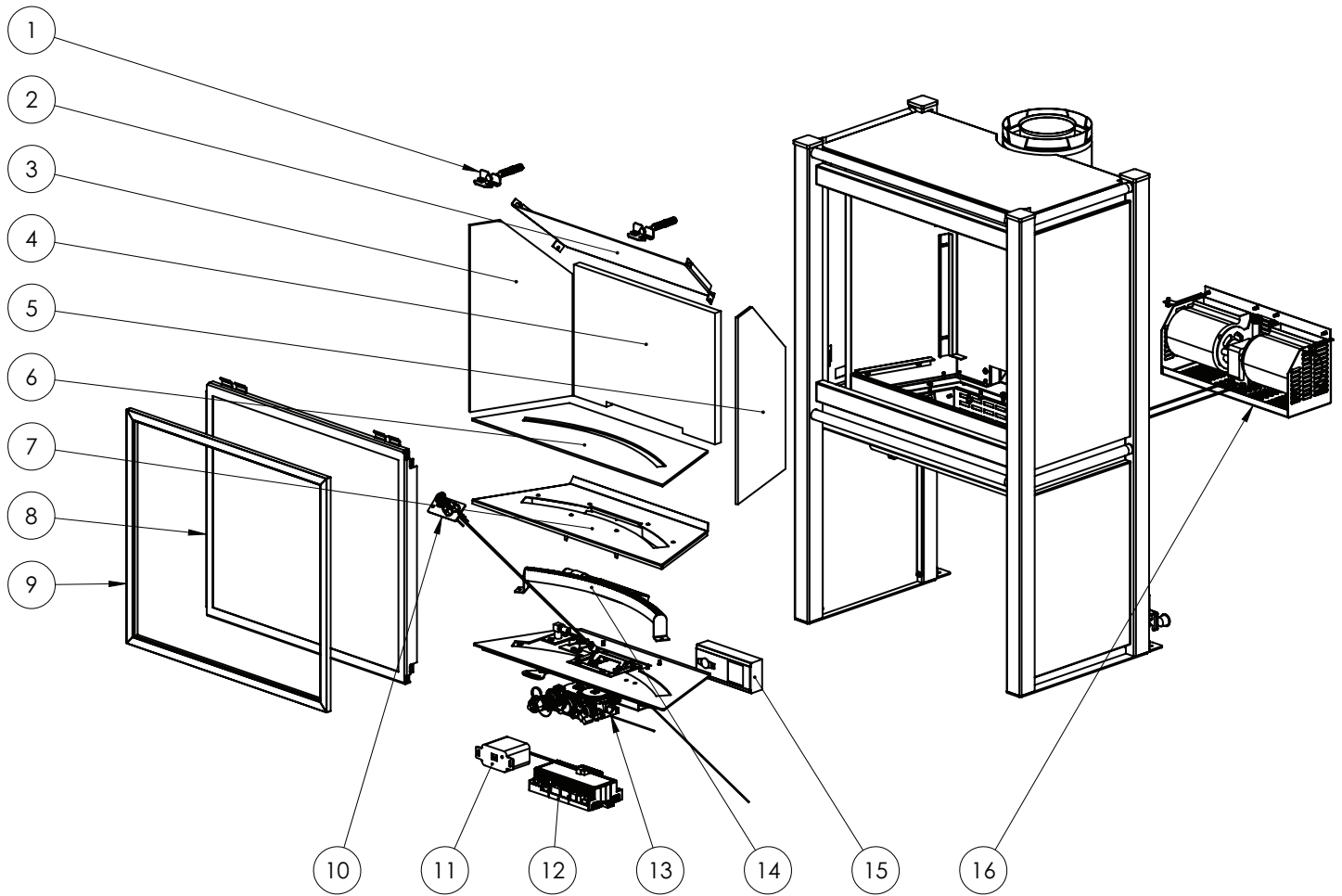
M&G DURAVENT DIRECTVENT PRO / GS SYSTEM PARTS LIST		
DESCRIPTION	PART	OLD PART
6" Pipe Length -Black	46DVA-06B	908B
6" Pipe Length -Galvanized	46DVA-06	908
8,5" Black Extension (3"-7")	46DVA-08AB	-
8,5" Galvanized Extension (3"-7")	46DVA-08A	-
9" Pipe Length-Black	46DVA-09B	907B
9" Pipe Length-Galvanized	46DVA-09	907
12" Pipe Length-Black	46DVA-12B	906B
12" Pipe Length-Galvanized	46DVA-12	906
16" Black Extension (3"-14.5")	46DVA-16AB	-
16" Galvanized Extension (3"-14.5")	46DVA-16A	-
24" Pipe Length-Black	46DVA-24B	904B
24" Pipe Length-Galvanized	46DVA-24	904
36" Pipe Length-Black	46DVA-36B	903B
36" Pipe Length-Galvanized	46DVA-36	903
48" Pipe Length-Black	46DVA-48B	902B
48" Pipe Length-Galvanized	46DVA-48	902
11"- 14 5/8" Adjustable Pipe Length-Black	-	911B
17"- 24" Adjustable Pipe Length-Black	-	917B
45° Elbow-Black	46DVA-E45B	945B, 945BG
45° Elbow-Galvanized	46DVA-E45	945, 945G
90° Elbow-Galvanized	46DVA-E90	990, 990G
90° Elbow-Black	46DVA-E90B	990B, 990BG
Vertical High Wind Termination Cap (must be used for all vertical terminations)	46 DVA-VCH	991
Horizontal. Square Termination Cap	-	984
Wall Thimble Cover—Support Box	46DVA-DC	940
Cathedral Ceiling Support Box	46DVA-CS	941
Brass Trim fro Ceiling Support Box	-	3951
Firestop Spacer	46DVA-FS	963
Flashing 0/12-6/12	46DVA-F6	943
Flashing 7/12-12/12	46DVA-F12	943S
Storm Collar	46DVA-SC	953
Vinyl Siding Standoff	46DVA-VSS	950
Wall Strap	46DVA-WS	988
Wall Pen Heat Shield (Wall Thimble)	46DVA-WT	942
Snorkel H2 termination cap	46DVA-H2-SNK36	

BDM PARTS LIST		
PART	DESCRIPTION	
4" x 6 5/8" DIRECT VENT PIPE:		
DVR6-06	6 5/8 /4 X 6" PRO FORM DV RIGID PIPE	
DVR6-06B	6 5/8 /4 X 6" PRO FORM DV RIGID PIPE BLACK	
DVR6-09	6 5/8 /4 X 9" PRO FORM DV PIPE	
DVR6-09B	6 5/8 /4 X 9" PRO FORM DV PIPE BLACK	
DVR6-12	6 5/8 /4 X 12" PRO FORM DV PIPE	
DVR6-12B	6 5/8 /4 X 12" PRO FORM DV PIPE BLACK	
DVR6-18	6 5/8 /4 X 18" PRO FORM DV PIPE	
DVR6-18B	6 5/8 /4 X 18" PRO FORM DV PIPE BLACK	
DVR6-24	6 5/8 /4 X 24" PRO FORM DV PIPE	
DVR6-24B	6 5/8 /4 X 24" PRO FORM DV PIPE BLACK	
DVR6-36	6 5/8 /4 X 36" PRO FORM DV PIPE	
DVR6-36B	6 5/8 /4 X 36" PRO FORM DV PIPE BLACK	
DVR6-48	6 5/8 /4 X 48" PRO FORM DV PIPE	
DVR6-48B	6 5/8 /4 X 48" PRO FORM DV PIPE BLACK	
4" x 6 5/8" ADJUSTABLE PIPE EXTENSION:		
DVR6-08A	6 5/8 /4 X 8.5" ADJUSTABLE PRO FORM DV PIPE	
DVR6-08AB	6 5/8 /4 X 8.5" ADJUSTABLE PRO FORM DV PIPE BLACK	
DVR6-16A	6 5/8 /4 X 16" ADJUSTABLE PRO FORM DV PIPE	
DVR6-16AB	6 5/8 /4 X 16" ADJUSTABLE PRO FORM DV PIPE BLACK	
DIRECT VENT ELBOWS:		
DVR6-E30	6 5/8 /4 30 DEGREE PRO FORM DV ELBOW	
DVR6-E30B	6 5/8 /4 30 DEGREE PRO FORM DV ELBOW BLACK	
DVR6-E45	6 5/8 /4 45 DEGREE PRO FORM DV ELBOW	
DVR6-E45B	6 5/8 /4 45 DEGREE PRO FORM DV ELBOW BLACK	
DVR6-E60	6 5/8 /4 60 DEGREE PRO FORM DV ELBOW	
DVR6-E60B	6 5/8 /4 60 DEGREE PRO FORM DV ELBOW BLACK	
DVR6-E90	6 5/8 /4 90 DEGREE PRO FORM DV ELBOW	
DVR6-E90B	6 5/8 /4 90 DEGREE PRO FORM DV ELBOW BLACK	
ELBOW AND WALL STRAPS:		
DVR6-ES	6 5/8 /4 PRO FORM ELBOW STRAP	
DVR6-WS	6 5/8 /4 PRO FORM WALL STRAP BLACK	
TYPE	PART	DESCRIPTION
WALL THIMBLES:		
Telescoping	DVR6-WT	6 5/8 /4 DV ONE PLATE TELESCOPING WALL THIMBLE 1" CLEARANCE
Universal	DVR6-WTU	6 5/8 /4 DV UNIVERSAL WALL THIMBLE
TERMINATION CAPS:		
Horizontal Co-Axial	DVR6-HC	6 5/8 /4 HCA PRO FORM TERM CAP
Horizontal Wind/Heat Shroud:	940164SHRD	6 5/8 /4 WIND/HEAT SHROUD

BDM PARTS LIST cont.		
TYPE	PART	DESCRIPTION
OTHER COMPONENTS		
Vertical Round Co-Axial Caps	DVR6-VCH	6 5/8 /4 PRO FORM ROUND HIGH-WIND CAP
Ceiling Firestop	DVR6-CFS	6 5/8/4 DV CEILING FIRESTOP
Attic Insulation Shield	DVR6-AIS	6 5/8 /4 X 12" DV ATTIC INSULATION SHIELD
Cathedral Ceiling Support Kit	DVR6-CS	6 5/8" CATHEDRAL CEILING SUPPORT KIT BLACK
Decorator Collar	DVR6-DC	6 5/8" INSIDE DECORATOR CLR BLACK
Flat Ceiling Decorator Collar	DVR6-FCDC	6 5/8" FLAT CEILING DECORATOR CLR BLACK
SS Counter Flashing 4 Pc. Kit	DVR6-CFK-SS	6 5/8' X 2" HI SS COUNTER FLASHING 4 PC KIT
SS Vinyl Siding Standoff	DVR6-VSS	6 5/8" SS VINYL SIDING STANDOFF
Roof Support	DVR6-RS	6 5/8 /4" ROOF SUPPORT
Adjustable Storm Collar	DVR68-SC	6 5/8 -8" ADJUSTABLE STORM COLLAR
Touch Up Paint	DVR-PAINT	DIRECT VENT TOUCH UP PAINT
ADJUSTABLE ROOF FLASHING:		
7/12 to 12/12	DVR6-AF712	6 5/8 /4 ADJUSTABLE ROOF FLASHING
0/12 to 6/12	DVR6-AF012	6 5/8 /4 ADJUSTABLE ROOF FLASHING
Flat Roof Flashing	DVR6-TCF	6 5/8 /4 FLAT ROOF FLASHING

OLYMPIA PARTS LIST			
PART	DESCRIPTION	PART	DESCRIPTION
VDV-0406	4" x 6" L Direct Vent Pipe	VDVB-0424	4"x24"L Direct Vent Black Pipe
VDV-0406-6	4" x 6" DV Pipe 6 Pack	VDVB-0436	4"x36"L Direct Vent Black Pipe
VDV-0406SL	4" x 6" Direct Vent Slip Sec.	VDVB-0448	4"x48"L Direct Vent Black Pipe
VDV-0409	4" x 9" L Direct Vent Pipe	VDVB-04LT	4" Large Telescoping Section
VDV-0409SL	4" x 9" Direct Vent Slip Sec.	VDVB-04MT	4" Medium Telescoping Section
VDV-0412	4" x 12" L Direct Vent Pipe	VDVB-04ST	4" Small Telescoping Section
VDV-0416SL	4" x 16" Direct Vent Slip Sec	VDVB-EL0445	4" x 45" Deg Direct Vent Elbow
VDV-0418	4" x 18" L Direct Vent Pipe	VDVB-EL0490	4" x 90" Deg Direct Vent Elbow
VDV-0424	4" x 24" L Direct Vent Pipe	VDVB-UAA04	4" Universal Appliance Adapter
VDV-0436	4" x 36" L Direct Vent Pipe		
VDV-0448	4" x 48" L Direct Vent Pipe		
VDV-04LT	4" Large Telescoping Section		
VDV-04MT	4" Medium Telescoping Section		
VDV-04ST	4" Small Telescoping Section		
VDV-AIS04	4" Attic Insulation Shield		
VDV-CRS04	4" Round Support Box		
VDV-CSS04	4" Square Support Box		
VDV-EL0445	4" x 45" Deg Direct Vent Elbow		
VDV-EL0445-6	4" x 45" Deg DV Elbow 6 Pack		
VDV-EL0490	4" x 90" Deg Direct Vent Elbow		
VDV-EL0490-6	4" x 90" Deg DV Elbow 6 Pack		
VDV-F0406	4" 0/12-6/12 Flashing		
VDV-F0412	4" 7/12-12/12 Flashing		
VDV-F04F	4" Flat Flashing		
VDV-FS04	4" Fire Stop Shield		
VDV-HC04	4" Direct Vent Horizontal Cap		
VDV-KW04	4" Direct Vent WPT Kit		
VDV-SC04	4" Storm Collar		
VDV-SSO	Siding Stand-Off		
VDV-SSO4	4" Siding Stand-Off		
VDV-VC04	4" Direct Vent Vertical Cap		
VDV-VCH04	4" High Wind Vertical Cap		
VDV-WPT04	4" Direct Vent Wall Pass Thru		
VDV-WS04	4" Wall Support		
VDV-WTC04	4" DirectVent Wall Trim Collar		
VDVB-0406	4" x6"L Direct Vent Black Pipe		
VDVB-0406SL	4" x 6" Direct Vent Slip Sec.		
VDVB-0409	4" x9"L Direct Vent Black Pipe		
VDVB-0409SL	4" x 9" Direct Vent Slip Sec.		
VDVB-0412	4"x12"L Direct Vent Black Pipe		
VDVB-0416SL	4" x 16" Direct Vent Slip Sec		
VDVB-0418	4"x18"L Direct Vent Black Pipe		

ICC PARTS LIST	
4" x 6 5/8" LENGTHS	
DESCRIPTION	PART
6" Length - Galvalume	TC-4DL6
6" Length - Black	TC-4DL6B
9" Length - Galvalume	TC-4DL9
9" Length - Black	TC-4DL9B
12" Length - Galvalume	TC-4DL1
12" Length - Black	TC-4DL1B
12" Slip Length - Galvalume	TC-4DLS1
12" Slip Length - Black	TC-4DLS1B
24" Length - Galvalume	TC-4DL2
24" Length - Black	TC-4DL2B
24" Slip Length - Galvalume	TC-4DLS2
24" Slip Length - Black	TC-4DLS2B
18"-30" Adjustable Length (2 pieces)	TC-4DLA30
18"-30" Adjustable Length - Black (2 pieces)	TC-4DLA30B
36" Length - Galvalume	TC-4DL3
36" Length - Black	TC-4DL3B
48" Length - Galvalume	TC-4DL4
48" Length - Black	TC-4DL4B
4" x 6 5/8" ELBOWS	
Elbow 45° - Galvalume	TE-4DE45
Elbow 45° - Black	TE-4DE45B
Elbow 90° - Galvalume	TE-4DE90
Elbow 90° - Black	TE-4DE90B
Slip Elbow 90°	TE-4DE90S
Slip Elbow 90° - Black	TE-4DE90SB
4" x 6 5/8" SUPPORTS & FIRESTOPS	
Square Support / Radiation Shield	TM-4SS
Round Support / Radiation Shield	TM-4RDS
Ceiling Support / Firestop	TM-4CS
Insulated Wall Thimble	TM-4WT
Wall Thimble Extension	TM-4WTE
Attic Radiation Shield / Firestop	TM-4AS
Ajustable Wall Support	TM-WS
Offset Support	TM-OS
Trim Ring - Black	TM-4TR
Trim Plate - Black	TM-4TP
O'Ring (included with Trim)	TM-4OR
4" x 6 5/8" TERMINATIONS	
Small Vertical Termination (must be used with TM-4SVTS)	TM-4SVT
Rain/Wind Shield for SVT & IVT (must be used with TM-4SVTS)	TM-4SVTS
Horizontal Termination	TM-4HT



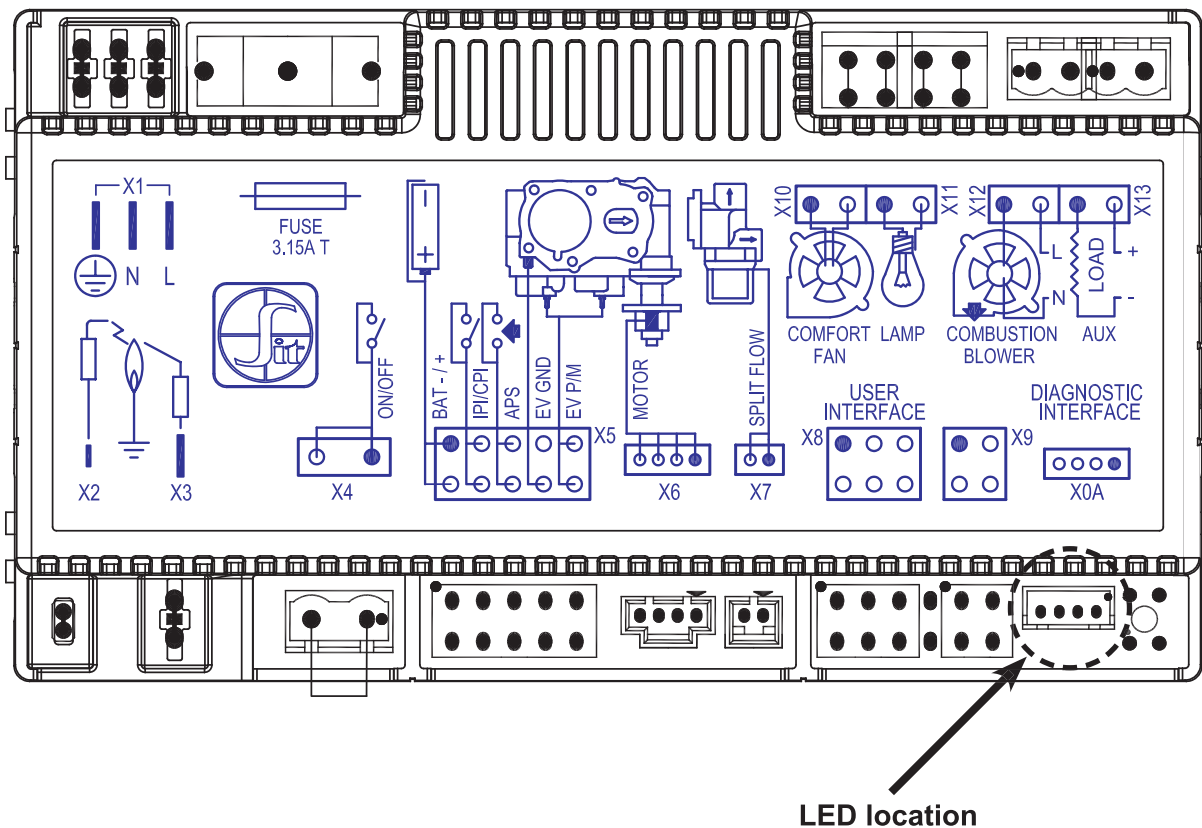
ITEM NO.	PART NUMBER	DESCRIPTION	ITEM NO.	PART NUMBER	DESCRIPTION
1	Z5151	WINDOW LATCH ASSEMBLY	10	610.199.059	PF2 PILOT ASSEMBLY
2	5103	FIREBOX BAFFLE	11	600.574.103	PF2 IFC BATTERY HOLDER
3	130.0501.L	GLASS CERAM MIRROR LEFT	12	600.584.665	PF2 IFC BOARD
4	620.5101	CERAMIC PANEL REAR CLARITY	13	600.885.009	PF2 VALVE W STEPPER MOTOR
5	130.0501.R	GLASS CERAM MIRROR RIGHT	14	640.5101	BURNER ASSEMBLY
6	130.0601	BLACK FLOOR GLASS	15	600.584.045	PF2 WALL MOUNT TRANSMITTER
7	Z5104	FLOOR PLATE RIVET ASSEMBLY	16	S.Z5177.IPI	OPTIONAL CLARITY FS IPI FAN KIT
8	S.Z5175	GLASS DOOR ASSEMBLY			
9	645.1821	SAFETY SCREEN 21" X 18.5"			

DIAGNOSTIC FLASH CODES ON IFC CONTROL

1. Fail to ignite: If there is no positive ignition, the board will go into lock out and the LED will blink 3 times in intervals until the system is reset.
2. Low battery condition (<4V): the LED indicator will blink one (1) time in intervals.
3. Parasitic Pilot Flame: the LED indicator will blink two (2) times in intervals.
4. System Lock out: the LED indicator will blink three (3) times in intervals.

Additional Ignition Information

1. The Proflame2 IFC will try two (2) times for ignition.
2. Each try for ignition will last approximately 60 seconds.
3. The wait time between the two tries is approximately 35 seconds



Please check to make sure the instructions are followed exactly before attempting trouble shooting of the appliance.

WARNING

TROUBLESHOOTING AND SERVICING OF GAS AND ELECTRICAL DEVICES OF THE APPLIANCE SHOULD ONLY BE CONDUCTED BY A QUALIFIED SERVICE TECHNICIAN.

PROBLEM	POSSIBLE CAUSE	ACTION
Thermostat does not work	The pilot flame has gone out The On/Off switch is turn to OFF	<ul style="list-style-type: none"> • Turn it ON
	The thermostat is set too high	<ul style="list-style-type: none"> • The thermostat is set too high
No spark generation	Spark develops near the pilot assembly or could occur onboard	<ul style="list-style-type: none"> • Check pilot assembly wiring
		<ul style="list-style-type: none"> • Check for broken or poor connection from the sparker to the electrode
		<ul style="list-style-type: none"> • Check for the spark shorting or arcing at other locations
		<ul style="list-style-type: none"> • Check for defective sparker and spark electrode
No pilot flame ignition	No spark from the igniter	<ul style="list-style-type: none"> • See “no spark generation”
	Air in the gas line	<ul style="list-style-type: none"> • It takes a while for all the air to purge out of the pilot before gas can reach the pilot and ignite
	Pilot gas pressure dropout upon main burner gas valve opening	<ul style="list-style-type: none"> • Check gas mains supply and pressure
	No gas flow out of the pilot burner	<ul style="list-style-type: none"> • Check gas valve wirings and connections to the board • Check the pilot burner for obstruction • Check the wirings and connections between the pilot assembly and the board • Check the correct gas type settings on the valve and pilot burner assembly orifice
Pilot will not remain lit	Problem with Flame Sensor circuit	<ul style="list-style-type: none"> • Check for proper connection of the Flame Sensor to the IFC board • Check pilot for full flame impingement around Flame Sensor • If flame is too small, check gas pressure, adjust pilot rate screw, check pilot head for damage • Ensure the ground wire is properly attached to the pilot mounting bracket and that it makes a good electrical connection.
	Restrictor setting	<ul style="list-style-type: none"> • Use the correct restrictor setting for the venting configuration
Remote control does not work	The pilot light has gone out	<ul style="list-style-type: none"> • See “Pilot will not remain lit”
	The remote is too far away from the heater	<ul style="list-style-type: none"> • Use the remote closer to the heater
	One of the remote control batteries are dead	<ul style="list-style-type: none"> • Replace the batteries
No reaction to command	IFC or transmitter batteries are low	<ul style="list-style-type: none"> • Replace the batteries
	A maximum number of failed ignitions or flame restorations have been reached	<ul style="list-style-type: none"> • Remove any possible blocking conditions. See “locking conditions” • See how to reset the board from Lockout
	No communication between the remote control and the IFC	<ul style="list-style-type: none"> • Reprogram the transmitter to the IFC. • Follow the initializing system for the first time

Locking conditions	Reset the Proflame IFC board	<ul style="list-style-type: none"> Turn the system off by pressing the ON/OFF button on the transmitter After approximately 2 seconds press the ON/OFF button on the transmitter again.
		<ul style="list-style-type: none"> In the manual flame control mode, use the down arrow button to reduce the flame to off, indicated by the word OFF displayed on the transmitter LCD screen. Wait approximately 2 seconds and press the up arrow button, the ignition sequence will start.
Main burners will not start	The pilot flame has gone out	<ul style="list-style-type: none"> See "Pilot will not remain lit"
	The remote control is not working correctly	<ul style="list-style-type: none"> Replace the batteries
	The thermostat is disconnected or set too high	<ul style="list-style-type: none"> Set the thermostat to a lower temperature
	Problem with thermopile circuit	<ul style="list-style-type: none"> Check gas line pressure Check wiring to thermostat for breaks Check for flame impingement on thermopile
Flame lifting	Leak in vent pipe	<ul style="list-style-type: none"> Check for leaks in vent connections
	Improper vent configuration	<ul style="list-style-type: none"> Check vent configuration with manual
	Terminal may be re-circulating flue gases	<ul style="list-style-type: none"> Check to see if terminal is on correctly May need to install high wind termination cap. Contact dealer
Blue Flames	The heater has just been started	<ul style="list-style-type: none"> Normal during start up: flame will yellow as the fireplace heats up
	Improper air shutter adjustment	<ul style="list-style-type: none"> Adjust air shutter – contact your dealer
Glass fogs up	Normal condition: after the appliance warms up the glass will be clear.	<ul style="list-style-type: none"> **Due to additives in gas, glass may get hazy during operation** Clean as needed.
Flames are burning "dirty" or sooting	Optional logs are placed incorrectly	<ul style="list-style-type: none"> Check that logs do not impinge on the flame, see manual pictures.
	Improper air shutter adjustment	<ul style="list-style-type: none"> Increase primary air by opening the air shutter and/or by opening the vent restrictor Check for proper venting and blockage of the vent termination See also "Burners will not remain lit"
	Incorrect rating input	<ul style="list-style-type: none"> Check manifold pressure and clock input rating for over-firing

BLAZE KING GAS LIMITED WARRANTY

Blaze King and its respective brands extend the following warranty for gas appliances purchased from an authorized Blaze King dealer and installed in the United States of America or Canada. Warranty starts with date of purchase by the original owner (End User) except as noted for replacement parts.

Warranty Period		Components Covered	
Parts	Labor	Gas	
1 Year		X	All parts, materials and surface finishes (flaking and peeling). Except as covered by Conditions Exclusion, and Limitations listed.
2 Years Parts 1 Year Labor		X	Igniters, thermocouple, thermopile molded refractory panels, log sets, interior glass panels, fan assembly, ignition components, gas valve, burner components, thermostat.
5 Years	2 Years	X	Firebox & Heat Exchanger
10 Years	2 Years	X	All exterior steel cabinets (excluding paint finishes) Door glass (thermal breakage only)
1 Year		X	Other Replacement Parts
See Conditions, Exclusions, and Limitations			

Blaze King Gas Limited 10 Year Warranty

Blaze King is the manufacturer of the Blaze King line of heating products. At Blaze King, our commitment to the highest level of quality and customer service is the most important thing we do. Each Blaze King stove is built on a tradition of using only the finest materials and is backed by our limited lifetime warranty to the original purchaser. With Blaze King, you're not just buying a fireplace or stove, you're buying a company with years of unequalled performance and quality.

Limited 10 Year Warranty:

Under this warranty, Blaze King covers the fireplace or stove, exterior body, pedestals, legs and glass (thermal breakage only) against defects in materials and workmanship, for part repair or replacement for (10) years from original purchase date and limited labor for the first two (2) years to the original purchaser. This warranty does not cover exterior finishes. Please see the exclusions and limitation section below as certain restrictions and exclusions apply to this warranty.

Limited 5 Year Warranty:

Under this warranty, Blaze King covers the fireplace or stove firebox and heat exchanger against defects in materials and workmanship, for part repair or replacement for the first five (5) years and limited labor for the first two (2) years to the original purchaser. This Warranty covers: Heat Exchanger, Steel Firebox Panels and any steel components not covered under the ten (10) year Warranty excluding burner components and gas components. Please see the exclusions and limitation section below as certain restrictions and exclusions apply to this warranty.

Limited Two (2) Year Warranty:

Under this warranty, Blaze King covers: Gas Assembly, Burner components (ceramic and steel), Log sets, Blower and control, Temperature Sensors, thermocouple, thermopile, electronic ignition components and wire harness against defects in materials and workmanship, for part repair or replacement for the first two (2) years and limited labor for the first (1) year to the original purchaser. Please see the exclusions and limitation section below as certain restrictions and exclusions apply to this warranty.

Limited One (1) Year Warranty:

Under this warranty, Blaze King covers all exterior surface finishes against defects in materials and workmanship, for part repair or replacement and limited labor for the first (1) year to the original purchaser. Please see the exclusions and limitations section below as certain restrictions and exclusions apply to this warranty.

How the Warranty Works (Includes Conditions, Exclusions and Limitations)

1. All warranties by the manufacturer are set herein and no claim shall be made against the manufacturer on any oral warranty or representation. All claims under this Limited Warranty must be made in writing by your dealer.
2. Any stove or part thereof that is repaired or replaced during the Limited Warranty period will be warranted under the terms of the Limited Warranty for a period not exceeding the remaining term of the original Limited Warranty or six (6) months, whichever is longer.
3. For any part or parts of this stove, which in our judgment show evidence of defects, Blaze King reserves the option to repair or to replace the defective product through an accredited distributor or agent, provided the defective part is returned to the distributor or agent, transportation prepaid, if requested.
4. If you discover a problem that you think may be covered by the Limited Warranty, you **MUST REPORT** it to your Blaze King dealer **WITHIN 30 DAYS** from the date the problem was first detected, giving them proof of purchase and the date of purchase. The dealer will investigate the problem and work with Blaze King to determine whether the problem:
 - a) Is covered by the Limited Warranty or
 - b) Can be fixed in your home or does the product need to be returned to Blaze King for repair.
5. If Blaze King determines that the stove needs to be returned to Blaze King for repair, the customer has the responsibility and the expense of removing it from their home and shipping it to Blaze King. If the problem is covered by the Warranty, Blaze King will repair or replace the item at their discretion and the customer will be responsible for return shipping and re-installation in their home.
6. If the problem is not covered by the Limited Warranty, the customer will be responsible for all repair costs, as well as all storage, shipping and the cost of removing and re-installing the stove.

If you are not satisfied with the service provided by the Blaze King dealer, write to Blaze King at the address listed on the last page of the Owner's Manual. Include a copy of the original purchase invoice and a description of the problem.

Exclusions and Limitations:

1. This Warranty does not cover tarnish, discoloration or wear on the plated surfaces. Painted finishes will change colour after initial firing and will continue to change through the lifetime of the stove. This is normal occurrence for all high temperature coatings.
2. This Warranty excludes wear and tear or breakage caused by cleaning, moving or service on log set and panels.
3. Blaze King strongly recommends that installation be done by a certified installer. Failure to comply may adversely affect coverage under this warranty. This Limited Warranty covers defects in materials and workmanship only if the product has been installed in accordance with local building and fire codes; in their absence, refer to the owner's manual. If the product is damaged or broken as a result of any alteration, wilful abuse, mishandling, accident, neglect, or misuse of the product, the Limited Warranty does not apply.
4. The stove must be operated and maintained at all times in accordance with the instructions in the Owner's Manual. If the unit shows signs of neglect or misuse, it is not covered under the terms of this Warranty policy. Performance problems due to operator error will not be covered by the Limited Warranty policy.
5. Some minor expansion, contraction, or movement of certain parts and resulting noise, is normal and not a defect and, therefore, is not covered under this Limited Warranty.
6. Misuse includes over-firing. Over-firing this appliance can cause serious damage and will nullify the Limited Warranty.
7. The Limited Warranty will cover glass thermal breakage only and will not cover misuse of the stove glass, including but not limited to glass that is struck, has surface contaminates or has had harsh or abrasive cleaners used on it.
8. This warranty does not cover products made or provided by other manufacturers and used in conjunction with the operation of this stove without prior authorization from Blaze King. The use of such products may nullify the Limited Warranty on this stove. If unsure as to the extent of this Limited Warranty, contact your authorized Blaze King dealer before installation.
9. Blaze King will not be responsible for inadequate performance caused by environmental conditions.
10. The Limited Warranty does not cover installation and operational related problems such as use of downdrafts or spillage caused by environmental conditions. Environmental conditions include but are not limited to nearby trees, buildings, roof tops, wind, hills, mountains, inadequate venting or ventilation, excessive offsets, negative air pressures or other influences caused by mechanical systems such as furnaces, fans, clothes dryers etc.
11. The Limited Warranty is void if:
 - a) The stove has been operated in atmospheres contaminated by chlorine, fluorine or other damaging chemicals.
 - b) The stove is subject to submersion in water or prolonged periods of dampness or condensation.
 - c) Any damage to the unit, combustion chamber or other components due to water, or weather damage which is the result of, but not limited to, improper chimney/venting installation.
 - d) Salt air in coastal areas or high humidity can be corrosive to the finish; these environmental can cause rusting. Damage caused by salt air or high humidity is not covered by the Limited Warranty.
12. Exclusions to the Limited Warranty include: injury, loss of use, damage, failure to function due to accident, negligence, misuse, improper installation, alteration or adjustment of the manufacturer's settings of components, lack of proper and regular maintenance, alteration, or act of God.
13. The Limited Warranty does not cover damage caused to the fireplace or stove while in transit. If this occurs, do not operate the stove and contact your courier and/or dealer.
14. Limited Warranty does not extend to or include firebox paint, door or glass gaskets with damage caused by normal wear and tear, or exterior paint discoloration or chipping, worn gaskets, etc.
15. The Limited Warranty does not include damage to the unit caused by abuse, improper installation, or modification of the unit.
16. Damage to plated surfaces caused by fingerprints, scratches, melted items, or other external scores and residues left on the plated surfaces from the use of abrasive cleaners or polishes is not covered in this warranty.
17. The Limited Warranty does not cover tarnish, discoloration or wear on the plated surfaces.
18. The paint on the brick liner may peel. It is not a flaw and is not covered under warranty, due to extreme conditions in the firebox.

19. Blaze King is free of liability for any damages caused by the fireplace or stove, as well as inconvenience expenses and materials. The Limited Warranty does not cover incidental or consequential damages.
20. The Limited Warranty does not cover any loss or damage incurred by the use or removal of any component or apparatus to or from the Blaze King fireplace or stove without the express written permission of Blaze King and bearing a Blaze King label of approval.
21. Any statement or representation of Blaze King Products and their performance contained in Blaze King advertising, packaging literature, or printed material is not part of the Limited Warranty.
22. The Limited Warranty is automatically voided if the fireplace or stove's serial number has been removed or altered in any way. If the stove is used for commercial purposes, it is excluded from the Limited Warranty.
23. No dealer, distributor, or similar person has the authority to represent or warrant Blaze King Products beyond the terms contained within the Limited Warranty. Blaze King assumes no liability for such warranties or representations.
24. Blaze King will not cover the cost of the removal or re-installation of the stove, hearth, facing, mantels, venting or other components.
25. Labor to replace or repair items under this Limited Warranty will be covered per our warranty service fee reimbursement schedule. Labor rates are set per component and as such total labor costs may not be covered.
26. If a defect or problem is determined by Blaze King to be non warrantable, Blaze King will not be liable for travel costs for service work. In the event of in-home repair work, the customer will pay any in-home travel fees or service charges required by the Authorized Dealer.
27. At no time will Blaze King be liable for any consequential damages which exceed the purchase price of the unit. Blaze King has no obligation to enhance or modify any stove once manufactured (example: as a stove model evolves, field modifications or upgrades will not be performed).
28. This Limited Warranty is applicable only to the original purchaser and it is non-transferable.
29. This warranty only covers Blaze King Products that are purchased through an authorized Blaze King dealer.
30. If for any reason any section of the Limited Warranty is declared invalid, the balance of the warranty remains in effect and all other clauses shall remain in effect.
31. The Limited Warranty is the only warranty supplied by Blaze King, the manufacturer of the stove. All other warranties, whether express or implied, are hereby expressly disclaimed and purchaser's recourse is expressly limited to the Limited Warranty.
32. Blaze King and its employees or representatives will not assume any damages, either directly or indirectly, caused by improper usage, operation, installation, servicing or maintenance of this stove.
33. Blaze King reserves the right to make changes without notice. Please complete and mail the warranty registration card and have the installer fill in the installation data sheet in the back of the manual for warranty and future reference.
34. Blaze King is responsible for stocking parts for a maximum of seven (7) years after discontinuing the manufacture or incorporation of the item into its products. An exception to this would be if an OEM supplier is not able to supply a part.

NOTES

Installer: Please complete the following information

Dealer Name & Address: _____

Installer: _____

Phone #: _____

Date Installed: _____

Serial No.: _____