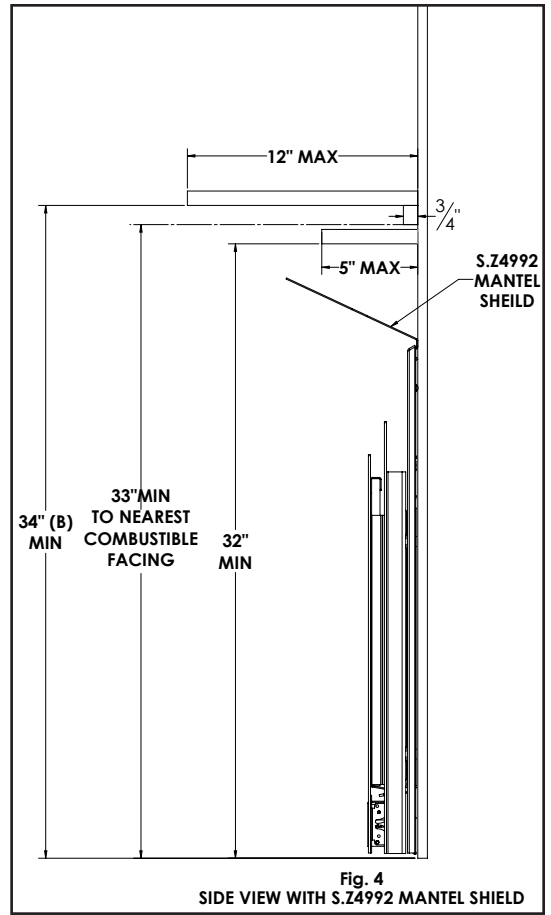
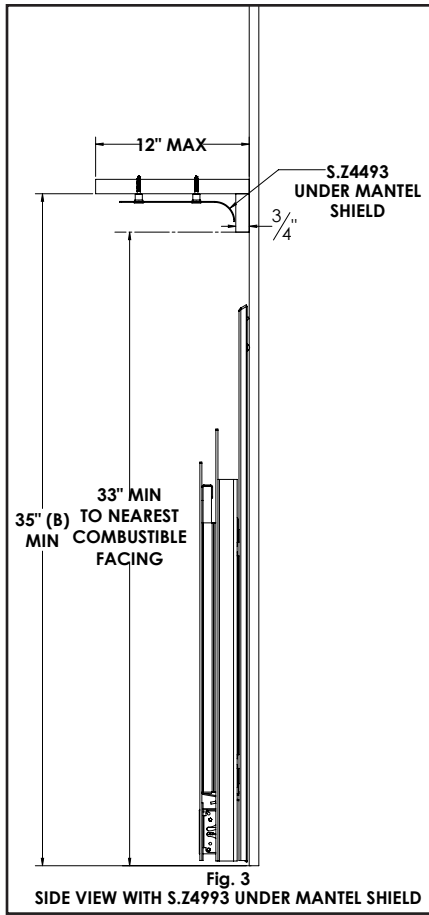
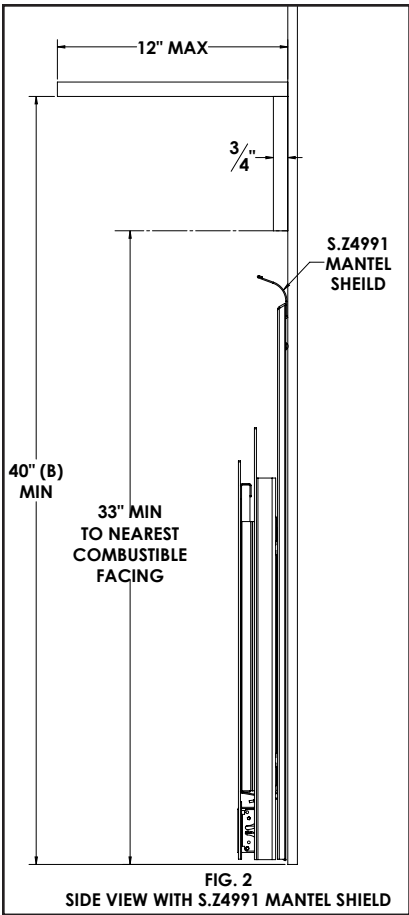
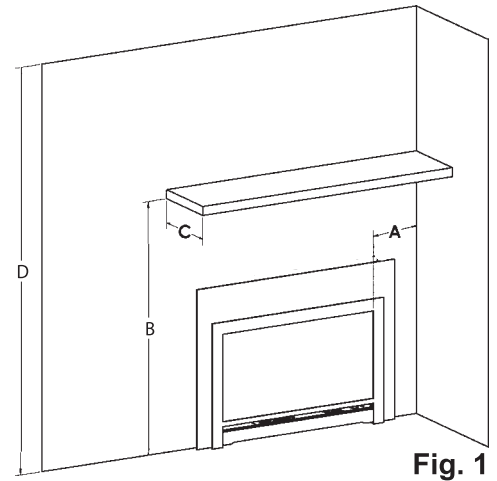


CL2714 MINIMUM CLEARANCE TO COMBUSTIBLES

A	Appliance to sidewall.	4.5" (115 mm)
B	- Bottom of appliance to underside of mantel (Fig. 1)	48" (1219 mm)
	- With S.Z4991 Mantel Shield kit (Fig. 2)	40" (1016 mm)
	- With S.Z4993 Under Mantel Shield kit (Fig. 3)	35" (889 mm)
	- With S.Z4992 Mantel Shield kit (Fig. 4)	34" (864 mm)
	- With S.Z4992 Mantel Shield kit (Fig. 4)	32" (813 mm)
C	Maximum mantel depth.	12" (305 mm)
D	Minimum ceiling clearance from bottom of appliance.	67.5" (1715 mm)

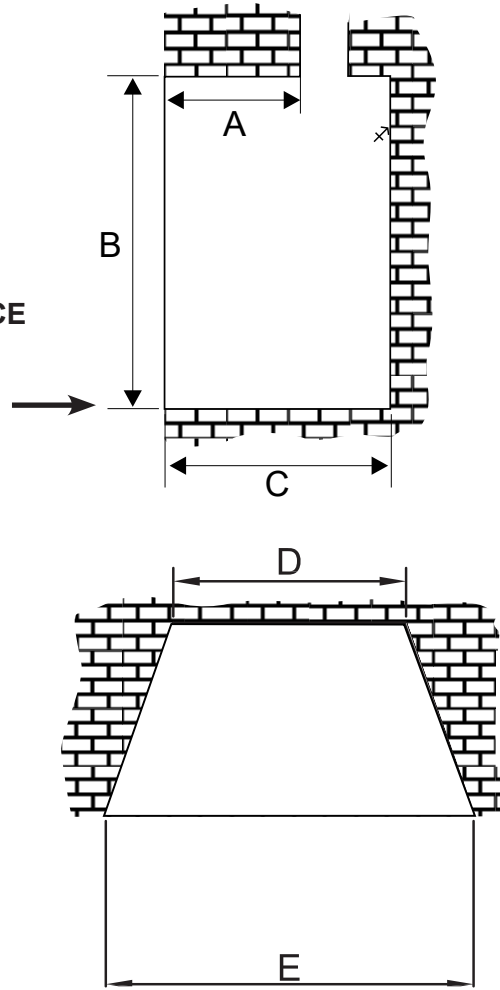
NOTE: CHECK LOCAL CODES FOR FLOOR REQUIREMENTS. THIS APPLIANCE IS SUITABLE ONLY FOR INSTALLATION IN A MASONRY OR FACTORY BUILT FIREPLACE.



CL2714 MINIMUM FIREPLACE DIMENSIONS

Refer to the diagrams below for the minimum fireplace dimensions required to properly install this appliance:

THE LEVELLING BOLTS AT THE BASE OF THE APPLIANCE CAN BE ADJUSTED IF THE COMBUSTIBLE FLOOR IN FRONT OF THE APPLIANCE IS NOT LEVEL WITH THE HEARTH.



Max Lintel Bar Depth	A	9 1/4" 235 mm
Min Height	B	20 3/4" 527 mm
Min Depth	C	15 5/8" 397 mm
Min Width (rear)	D	22" 559 mm
Min Width (front)	E	30" 762 mm