



Sirocco 20 / Chinook 20 / Ashford 20

BLAZE KING 20 Series

Free Standing Wood Stoves



Blaze  King
www.blazeking.com



Sirocco 20 with Pedestal with AshDrawer, painted Cast Iron Door, and Standard Convection Deck

Specifications: Sirocco 20.2	Real World Tested Performance (HHV)
Cord Wood Max BTU**	39,000 BTU's
Efficiency	77%
Maximum Heat Input*	293,079 BTU's
Constant Heat Output on High*	28,355 BTU's/hour up to 8 hours
Constant Heat Output on Low*	11,342 BTU's/hour up to 20 hours
Square Feet Heated	900 - 1500
Average Heating Time*	8 to 11 hours
Potential Burn Time on Low*	20 hours
Emissions (grams/hour)	0.73 g/hr
Firebox Size	1.8 cu.ft.
Flue Size	6"
CO (g/min)	0.78

** Cord Wood BTU is calculated using the cord wood test method.
 * BTU, heat input and output and heating times depend on influences such as home size, home insulation, installation configuration, wood species, wood moisture content and climatic conditions.



Optional Pedestal with Ash Drawer



Standard Convection Deck



SIROCCO 20

Classic Lines and Versatility The Sirocco embodies the timeless styling of a classic North American wood stove.

Versatility You can customize your Sirocco match the décor of your home: Choose between the pedestal version with standard ash drawer or cast iron leg version with optional ash drawer. All handles are fitted with ash hardwood and are coated in black enamel. The addition of the optional satin trim and satin handles on the cast iron door will enhance the look even further. The standard convection deck helps increase your stoves performance, especially when coupled with an optional fan kit.



Optional Satin Bypass Handle



Cast Iron Door with Optional Satin Trim and Handle



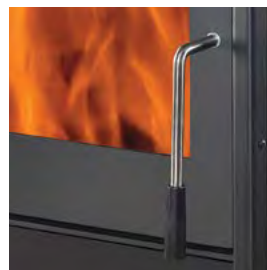
Sirocco 20 with Cast Iron Legs, painted Cast Iron Door with optional Satin Trim and Satin handles, and standard Convection Deck



Chinook 20 with standard Metallic Black Sides and Standard Ash Drawer



Ash Drawer on Easy Glide runners with removable Ash Pan



Satin Door Handle



Cast Iron Convection Air Grille





CHINOOK 20

Modern Elegance From the vertical legs to the large, rectangular glass viewing area, there is a strong European influence in the Chinook's design. Both the door and bypass handles are plated with a satin finish coupled ash hardwood handles coated in black enamel. Fitted with a cast iron grille, the convection deck comes standard on the Chinook. The ash drawer also comes standard and opens on engineered runners yielding a smooth, gliding motion. To increase performance, add the optional dual fan system to further spread the super-heated convection air into your room.



Specifications: Chinook 20.2	Real World Tested Performance (HHV)
Cord Wood Max BTU**	39,000 BTU's
Efficiency	77%
Maximum Heat Input*	293,079 BTU's
Constant Heat Output on High*	28,355 BTU's/hour up to 8 hours
Constant Heat Output on Low*	11,342 BTU's/hour up to 20 hours
Square Feet Heated	900 - 1500
Average Heating Time*	8 to 11 hours
Potential Burn Time on Low*	20 hours
Emissions (grams/hour)	0.73 g/hr
Firebox Size	1.8 cu.ft.
Flue Size	6"
CO (g/min)	0.78
** Cord Wood BTU is calculated using the cord wood test method. * BTU, heat input and output and heating times depend on influences such as home size, home insulation, installation configuration, wood species, wood moisture content and climatic conditions.	

ASHFORD 20

Design Our craftsmen used the timeless medium of cast iron to create a beautiful and elegant piece of furniture with detailed relief and curves. The Ashford is available in both Metallic Black and Cast Gray painted finishes or a Chestnut Brown Porcelain Enamel finish. Burlled walnut is carved for the double action door handle which creates a luxurious feel every time you use your stove. The attention to detail also be felt when opening the standard ash drawer which is mounted on engineered runners for a smooth, easy glide feel.

Specifications: Ashford 20.2	Real World Tested Performance (HHV)
Cord Wood Max BTU**	39,000 BTU's
Efficiency	77%
Maximum Heat Input*	293,079 BTU's
Constant Heat Output on High*	28,355 BTU's/hour up to 8 hours
Constant Heat Output on Low*	11,342 BTU's/hour up to 20 hours
Square Feet Heated	900 - 1500
Average Heating Time*	8 to 11 hours
Potential Burn Time on Low*	20 hours
Emissions (grams/hour)	0.73 g/hr
Firebox Size	1.8 cu.ft.
Flue Size	6"
CO (g/min)	0.78

** Cord Wood BTU is calculated using the cord wood test method.
 * BTU, heat input and output and heating times depend on influences such as home size, home insulation, installation configuration, wood species, wood moisture content and climatic conditions.



Ashford 20
Chestnut Brown
Porcelain Enamel



Ash Drawer on Easy Glide
Runners with removable Ash Pan



Cast Gray Paint



Ashford 20 Metallic Black Paint



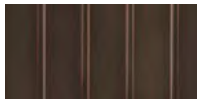
Ornate leg detail



Burled walnut door handle with satin plated inset



Metallic Black Paint



Chestnut Brown Enamel



Ashford 20 Cast Gray paint

Clearances – Sirocco 20.2, Chinook 20.2 and Ashford 20.2

Minimum Clearance to Combustibles (See owner's manual for complete list prior to install)

A – Side Wall to Side of Unit	12¾"
B – Rear Wall to Back of Unit	6.5"
E – Adjacent Wall to Corner of Unit	6"
J – Minimum Alcove Height	37"
K – Horizontal Flue to Ceiling (USA)	18"
L - Center of flue to edge of door opening	14¾"

(In Canada, if K=18", then J=79¾")

Hearth Protection

G – Edge of Hearth Pad to Side of Unit (USA)	Chinook 4" (USA)	8" (Canada)
	Sirocco 3½" (USA)	8" (Canada)
	Ashford 2⅝" (USA)	8" (Canada)

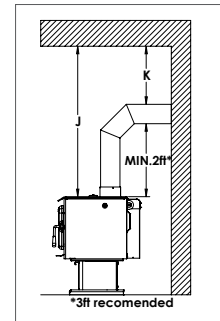
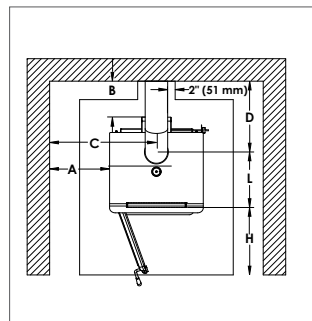
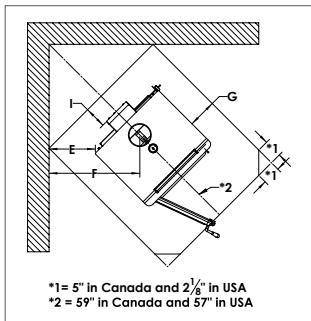
H – Door opening to edge of ember protection	16" (USA)	18" (Canada)
--	-----------	--------------

I – Rear of stove to edge of ember protection	0" (USA)	8" (Canada)
---	----------	-------------

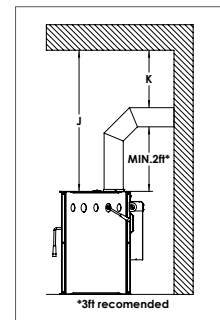
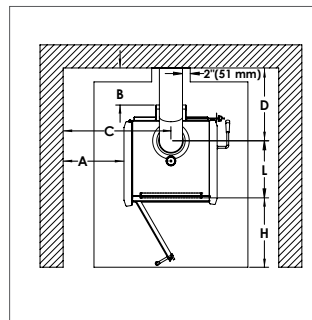
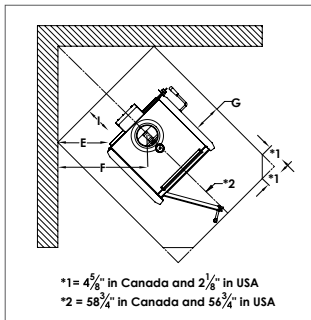
*Mobile Home: Must use Fan Kit or Rear Shield & Double Wall Pipe and Fresh Air Intake Kit
 *Check Local Codes/Pipe Manufacturer Requirements for Clearances. In all of Canada and most of USA, 18" Clearances from single Wall Pipe are required. For C,D, and F measurements please refer to the owners manual.

Clearances

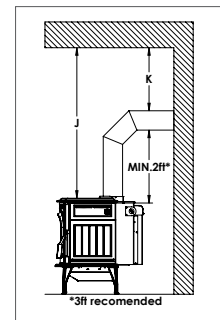
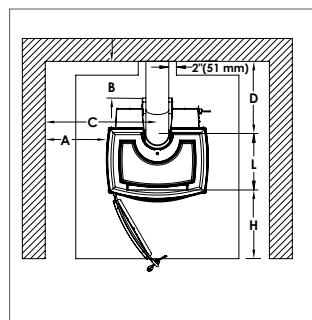
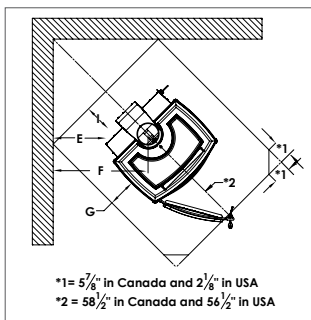
Sirocco 20.2



Chinook 20.2



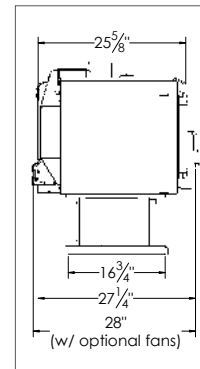
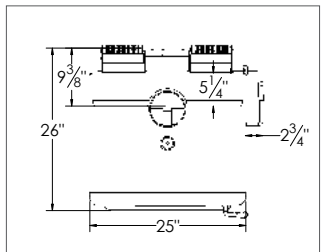
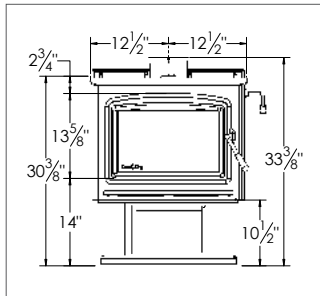
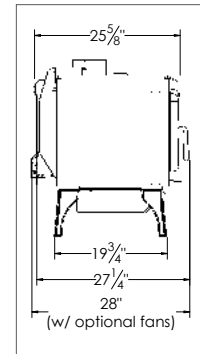
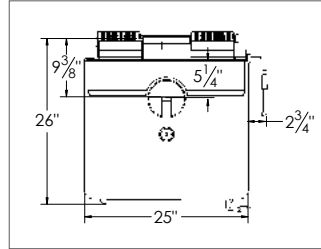
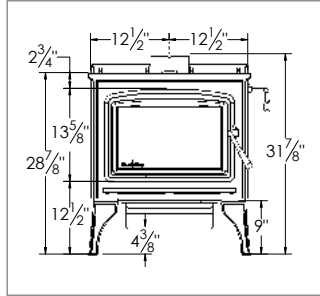
Ashford 20.2



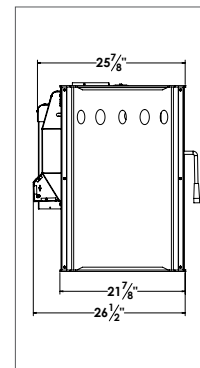
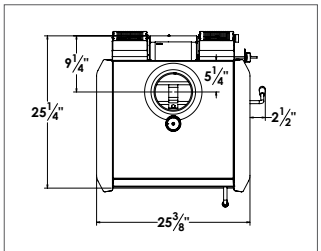
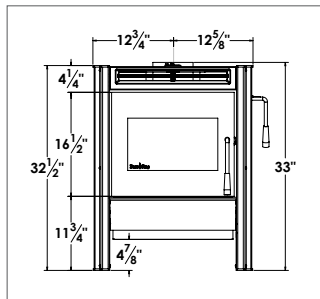
Blaze King 20.2 Series Specifications

Dimensions

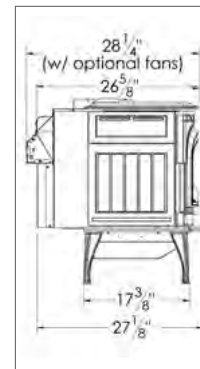
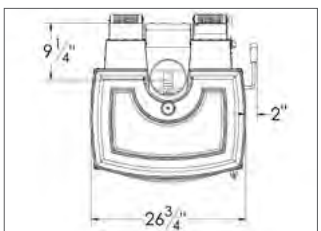
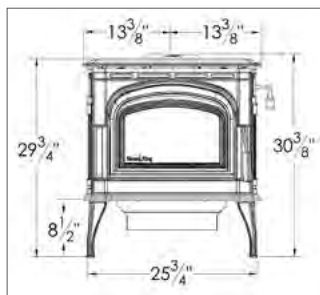
Sirocco 20.2



Chinook 20.2



Ashford 20.2



Specifications – Sirocco 20₂, Chinook 20₂ and Ashford 20₂

Sq. ft. heating capacity	900 to 1500 sq. ft.
Wood capacity (soft wood)	30 lbs.
Wood capacity (hard wood)	40 lbs.
Flue size	6"
Door opening	15.5" x 8"
Firebox depth (front to back)	16" (brick to brick), 18.5" (brick to glass)
Firebox width	17.5"
Firebox height	10.75"
Firebox capacity	1.8 cubic feet
Emissions	0.73 grams/hour
Maximum heat input*	293,079 BTU's
Heat output on high*	28,355 BTU's/hour for 8 hours
Low burn time*	Up to 20 hours
High burn time*	Up to 8 hours

Sirocco 20₂ Specs

Approximate weight - Sirocco	375 lbs. on pedestal 350 lbs. on legs
------------------------------	--

Chinook 20₂ Specs

Approximate weight - Chinook	320 lbs.
------------------------------	----------

Ashford 20₂ Specs

Approximate weight - Ashford	450 lbs.
------------------------------	----------

* Heating capacity is determined by geographic location and actual heat loss calculation of the dwelling.

Options

Sirocco Options

- Pedestal with Ash Drawer
- Cast Iron Legs
- Ash Drawer for Leg Model
- Cast Iron Door
- Cast Iron Door with Satin Trim
- Dual Fan Kit
- Fresh Air Kit
- Rear Heat Shield

Chinook Options

- Dual Fan Kit
- Rear Heat Shield
- Fresh Air Kit

Ashford Options

- Choice of colors - Metallic Black Paint, Cast Gray Paint, Chestnut Brown Enamel
- Dual Fan Kit
- Fresh Air Kit



Blaze King 20 Series Specifications

The Benefits of Owning a Blaze King

Radiant Heat Radiant heat is like sunshine. Most surfaces of your Blaze King stove radiate heat so you feel the inner warmth you expect from a real fire.

Convection Heat The optional dual fan system recirculates room air over the hot surface of your stove. Blaze King recommends the optional dual fans to spread this super-heated air evenly around your home. The dual fan kit is especially effective when used on our Chinook and Ashford models.

Radiant Heat and Convection Heat The Sirocco, Chinook, and Ashford deliver the same amount of heat and have the same efficiencies. Each model delivers the same efficient warmth but does so in different ways.

The Sirocco has a ¼" plate steel firebox top that is in direct contact with the room air. Soon after a fire is established, the surface of the stove heats up and quickly radiates the heat to the room.

The Chinook is built with a second layer of steel surrounding the firebox. This layer helps channel the convection air over the firebox to the front of the stove. The air becomes super heated as it is in contact with the firebox for a longer period of time, thus removing more of the heat through the convection process. As the second layer is heated it will radiate its stored energy back into the room.

The Ashford has a second layer of cast iron surrounding the firebox. The convection air is super heated as it is channeled over the firebox for a longer time. The cast iron layer takes time to heat up. After it is heated it is very efficient at retaining this heat and radiating it back into the room over an extended period of time.

Bio Energy By using renewable wood fuel in your clean-burning Blaze King you are reducing the amount of fossil-fuel emissions from other energy sources, lessening your impact on the environment. Because our stoves are amongst the cleanest and most efficient available, they merely release the CO² that plants absorbed over their life span.

Close Clearances The unique design of a Blaze King makes it possible for it to be placed close to a corner of a wall. This makes it ideal for a medium-sized room or for installation in tight alcoves.

The Sirocco, Chinook and Ashford have a layer of bricks at the bottom of the firebox. As a result, all that is needed for floor protection is a spark protector. This will save you hundreds of dollars on your installation costs.

Long Burn Times The 20 size firebox is capable of burning for up to 20 hours, on low, when conditions allow. In the real world the most important thing is to get over-night heat. By pushing the boundaries of long burn times, Blaze King is able to deliver that all important good nights sleep. The 20 firebox can deliver a heating time of 8 to 12 hours even on the coldest days.

Efficiencies The true efficiency for a wood stove is the number published by the US Environmental Protection Agency (EPA) on its web site. When comparing efficiencies of different brands you should always compare the EPA "Actual Measured Efficiency" (HHV) and not the Optimum or Low Heat Value (LHV) number quoted by most manufacturers on their brochures. The LHV is not representative of how a stove performs in your home. The EPA actual measured efficiency (HHV) number is a true reading of how your stove performs in the real world. Blaze King builds the 1st and 2nd most efficient stoves sold in North America as listed by the EPA. Follow the link to the EPA web site for confirmation at: <http://www.epa.gov/Compliance/resources/publications/monitoring/caa/woodstoves/certifiedwood.pdf>. All Blaze King stoves show efficiencies from the mid 70 percentile up to 81%, the highest certified efficiency of any wood stove.

BLAZE KING

Sirocco 20, Chinook 20, Ashford 20 Features

Catalytic Technology Blaze King has been making large wood stoves for over 35 years. Over this time period we have built a tradition of craftsmanship and performance that is unequalled. In 1983, Blaze King invented the first hybrid wood stove using air tubes and a catalytic converter. A year later Blaze King received the first certificate of compliance, number 001, for the first clean burning wood stove in North America. We received this certificate from the Oregon Department of Environmental Air Quality which was a forerunner to today's regulatory body, the EPA. A refined version of this technology is what you see in every catalytic Blaze King today.

Thermostat control (No electricity required) Blaze King's built-in thermostat constantly monitors the heat output of your stove. It automatically adjusts the air required for combustion. This unique technology, where we combine the efficiencies of a catalytic combustor with a built-in thermostat, provides the longest burn times of any wood stove. You get a full night's sleep without having to reload your stove. It also means that when you return from work, your stove is still hot and your home is warm.

70% turn down Fine-tuned automatic airflow, as our thermostat and catalyst work in tandem, allows you to turn down your Blaze King catalytic stove by up to 70%.

Non Blaze King stoves only turn down by 33% and have little control over their heat output. Because of this most people use expensive electric heat in the spring and fall because they cannot control the heat output of their secondary air wood stove.

With a 70% turn down ability a Blaze King is perfect to heat your home in the shoulder season saving you money on heating costs.

Easy to operate Light a fire as per the instructions in your owner's manual. After you have established a good fire

and the thermometer needle is well into the active zone, simply select your heat setting. Your Blaze King will now automatically control the heat from your stove until you need to load it again, which could be up to 40 hours later depending on the model you selected.

Burn 33% less wood The combination of our exclusive thermostat and catalytic combustor technology makes your Blaze King stove one of the most efficient wood stoves in the world. The proof of this is in our flue temperatures. Non Blaze King stoves have flue temperatures of between 600° F and 900° F while your Blaze King flue temperatures are between 150° F and 300° F. Non Blaze King stoves pump valuable heat up the flue. Your Blaze King catalytic stove keeps the heat in your home saving you money. By making your stove this efficient you will burn up to 33% less wood, cut, stack, load and clean 33% less wood. This is a major advantage that only a Blaze King offers.

Less Cleaning All Blaze King stove's produce very fine ash because we extract every last drop of energy from the wood. As a result you can go for very long periods before you have to empty your stove.

Door Design Every Blaze King has a steel frame around the door opening. Not only does this add strength to the firebox, but it creates a tight seal as it is pressed into the door gasket. Our engineers built the door latch so it is adjustable. You can adjust the tension on the gasket thus reducing the need for expensive replacements. The latch is also more durable because it is placed on the outside of the firebox.

Lower Install Costs Most non-Blaze King stoves require a thermal hearthpad. All Blaze King stoves only require spark protection which can save you hundreds of dollars on your install.



10 Year Extended Warranty

Because we believe in the technology and craftsmanship built into every Blaze King stove, we are proud to offer a 10 year 100% extended warranty on your catalytic combustor.

