

# Blaze King

## **CLARITY CL26.SP.1A**

**FREESTANDING DIRECT VENT GAS ROOM HEATER**

**with 7 Day Shutoff Standing Pilot (SP)**

**For use with Natural Gas (NG) or Propane (LPG)**

**OPERATION & INSTALLATION MANUAL**



Blaze King recommends that its gas hearth products be installed and serviced by professionals who are certified in the U.S. by the National Fireplace Institute (NFI) as NFI Gas Specialists.

NATIONAL  
FIREPLACE  
INSTITUTE



CERTIFIED

[www.nficertified.org](http://www.nficertified.org)



PFS REPORT: #F19-558

**Installer: Please COMPLETE THE DETAILS ON THE LAST PAGE  
and leave this manual with the homeowner.**

**Homeowner: Please SAVE THESE INSTRUCTIONS for future reference.**

### **MANUFACTURED BY**

Valley Comfort Systems Inc., 1290 Commercial Way, Penticton BC, Canada, V2A 3H5

web: [www.blazeking.com](http://www.blazeking.com) email: [info@blazeking.com](mailto:info@blazeking.com)

**ATTENTION:** The authority having jurisdiction (municipal building department, fire department, etc.) should be consulted before installation to determine the need to obtain a permit.

Pour la version française de nos manuels S.V.P. vous référez à notre site web: [www.blazeking.com](http://www.blazeking.com)

**⚠ WARNING**

**FIRE OR EXPLOSION HAZARD**  
Failure to follow safety warnings exactly could result in serious injury, death, or property damage.

- Do not store or use gasoline or other flammable vapors and liquids in the vicinity of this or any other appliance.

**WHAT TO DO IF YOU SMELL GAS**

- Do not try to light any appliance.
- Do not touch any electrical switch; do not use any phone in your building.
- Leave the premises.
- Immediately call your gas supplier from a neighbor's phone. Follow the gas supplier's instructions.
- If you cannot reach your gas supplier, call the fire department.

- Installation and service must be performed by a qualified installer, service agency or the gas supplier.

This appliance may be installed in an aftermarket, permanently located, manufactured (mobile) home, where not prohibited by local codes.

This appliance is only for use with the type of gas indicated on the rating plate. This appliance is not convertible for use with other gases, unless a certified kit is used.

A barrier designed to reduce the risk of burns from the hot viewing glass is provided with this appliance and shall be installed for the protection of children and other at-risk individuals. If the barrier becomes damaged, the barrier shall be replaced with the manufacturer's barrier for this appliance.

**⚠ WARNING**



**HOT GLASS WILL CAUSE BURNS.**  
**DO NOT TOUCH GLASS UNTIL COOLED.**  
**NEVER ALLOW CHILDREN TO TOUCH GLASS.**

The content within this manual describes the installation and operation of the Blaze King Clarity CL26.1A. It is against federal regulations to operate this appliance in a manner inconsistent with the operating instructions in this manual. Blaze King grants no warranty, implied or stated, for the installation and maintenance of this appliance and assumes no responsibility of any consequential damage(s).

<i>TEST CERTIFICATION DATA</i>		
	<b>Natural Gas (NG)</b>	<b>Propane (LPG)</b>
Steady State Efficiency (High / Effy <sub>SS,H</sub> )	71.55%	65.75%
Fireplace Efficiency (P4 / FE)	64.49%	59.41%

This appliance is tested and certified to the following US and Canadian gas appliance standards:

- ANSI Z21.88-2017 / CSA 2.33-2017 - Vented Gas Fireplace Heaters
- CSA 2.17-2017 - Gas-Fired Appliance for Use at High Altitudes
- CSA P.4.1-15 - Testing Method for Measuring Annual Fireplace Efficiency

This appliance must be installed by a qualified gas installer. The installation must conform to local codes or, in the absence of local codes, with the National Fuel Gas Code, ANSI Z223.1 / NFPA 54 in the US, or the Natural Gas and Propane Installation Code, CSA B149.1 in Canada. This appliance is certified for installation in a bedroom or a bedsitting room and may be installed in an aftermarket, permanently located, manufactured (mobile) home where not prohibited by local codes. This appliance is certified for direct vent discharge only. This appliance must be vented using the listed and approved vent components described in this manual.

## **WARNING**

**IF THIS APPLIANCE IS NOT PROPERLY INSTALLED OR OPERATED, A HOUSE FIRE MAY RESULT LEADING TO SERIOUS BODILY HARM AND EVEN DEATH. TO REDUCE THE RISK OF FIRE, PLEASE READ THIS ENTIRE MANUAL BEFORE INSTALLING AND OPERATING THIS APPLIANCE. CONTACT LOCAL BUILDING OR FIRE OFFICIALS ABOUT RESTRICTIONS AND INSTALLATION INSPECTION REQUIREMENTS IN YOUR AREA.**

**DO NOT OPERATE THIS APPLIANCE WITHOUT FULLY ASSEMBLING ALL COMPONENTS. DO NOT INSTALL DAMAGED, INCOMPLETE, OR SUBSTITUTE COMPONENTS. FAILURE TO POSITION COMPONENTS IN ACCORDANCE WITH THE DIAGRAMS IN THIS BOOKLET OR FAILURE TO USE COMPONENTS SPECIFICALLY APPROVED WITH THIS APPLIANCE MAY RESULT IN PROPERTY DAMAGE OR PERSONAL INJURY.**

**SAVE THESE INSTRUCTIONS FOR FUTURE REFERENCE.**



### **CALIFORNIA PROPOSITION 65**

**WARNING:** This product can expose you to chemicals including benzene, which is known to the State of California to cause cancer and birth defects or other reproductive harm. For more information:

**[www.P65Warnings.ca.gov](http://www.P65Warnings.ca.gov)**

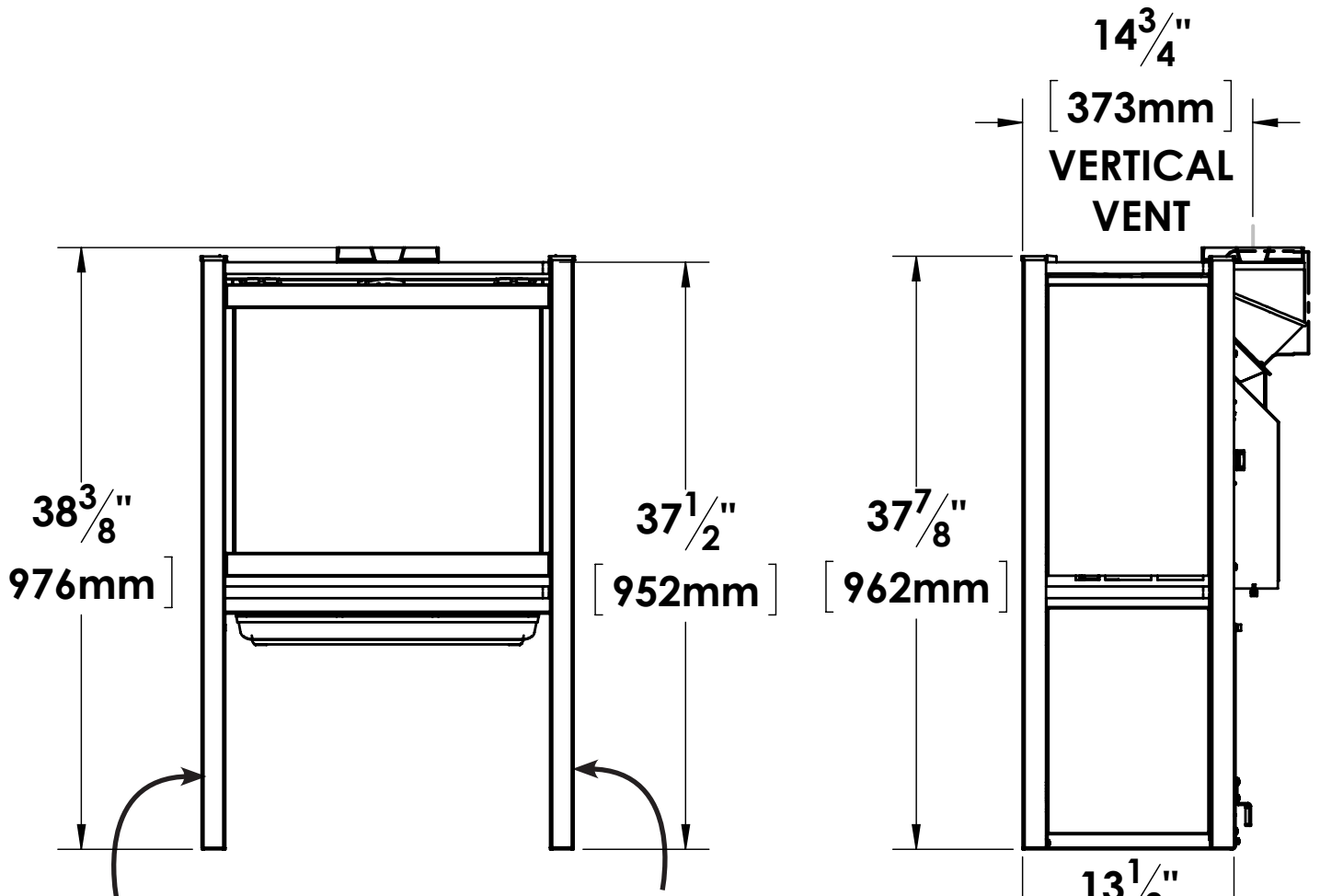
<b>SPECIFICATIONS</b>	<b>5</b>
<b>APPLIANCE DIMENSIONS</b>	<b>6</b>
<b>SAFETY CLEARANCES</b>	<b>7</b>
<b>SAFETY PRECAUTIONS</b>	<b>8</b>
<b>VENTING</b>	<b>9</b>
OPTIMAL VENTING PERFORMANCE.....	9
VENT CONNECTIONS.....	9
VENT TERMINATION LOCATION.....	9
VENT TERMINATION RESTRICTIONS.....	10
VENTING CONFIGURATIONS.....	11
VENT LENGTH CALCULATION.....	11
VERTICAL VENT INSTALLATION.....	12
CEILING PASS THROUGH.....	12
THROUGH ROOF FRAMING.....	12
ABOVE ROOF TERMINATION.....	13
EXTERIOR WALL PASS THROUGH.....	13
<b>INSTALLATION</b>	<b>14</b>
GAS CONNECTIONS.....	14
HIGH ALTITUDE INSTALLATION.....	14
INITIAL SETUP.....	15
MOBILE HOME INSTALLATION.....	17
VENT RESTRICTOR.....	17
AIR SHUTTER ADJUSTMENT.....	18
SIT WIRING DIAGRAM.....	19
OPTIONAL THERMOSTAT & WALL SWITCH WIRING DIAGRAM.....	19
SIT VALVE SCHEMATIC.....	20
FUEL CONVERSION.....	21
<b>LIGHTING INSTRUCTIONS</b>	<b>24</b>
<b>MAINTENANCE and SERVICE</b>	<b>26</b>
ROUTINE MAINTENANCE.....	26
CLEANING SURFACES.....	26
CLEANING DOOR GLASS.....	26
DOOR GLASS REPLACEMENT.....	26
SAFETY SCREEN REPLACEMENT.....	26
<b>VENTING COMPONENTS</b>	<b>27</b>
<b>PARTS LIST</b>	<b>34</b>
<b>TROUBLE SHOOTING</b>	<b>35</b>
<b>WARRANTY</b>	<b>36</b>
<b>NOTES</b>	<b>40</b>

<b>CLARITY 26 SP, CL26.SP.1A SPECIFICATIONS</b>		
Flue Vent Size	4" x 6 5/8"	
Electrical Rating	120 V.A.C.	
Shipping Weight	200 lbs (90.7 kg)	
	<b><i>Natural Gas (NG)</i></b>	<b><i>Propane (LPG)</i></b>
Manifold Pressure	3.8" w.c. (0.95 kPa)	10.6" w.c. (2.64 kPa)
Minimum Supply Pressure for Purpose of Input Adjustment	7.0" w.c. (1.74 kPa)	11.0" w.c. (2.74 kPa)
Orifice Size	DMS #39	DMS #1.5 mm
Nominal Input Rating	27,300 BTU/hr	26,200 BTU/hr
Minimum Input Rating	14,838 BTU/hr	14,120 BTU/hr
Primary Air Opening	50% (Minimum)	Open

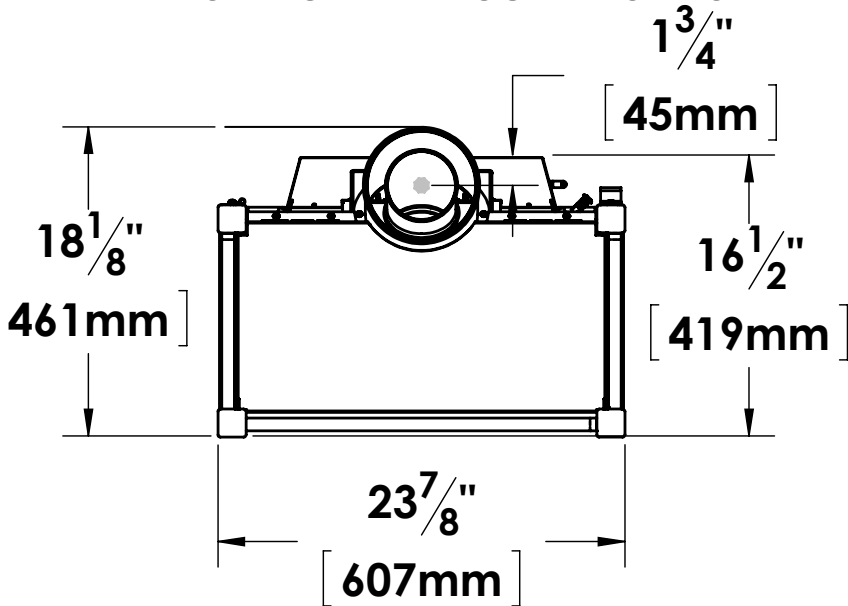
<b><i>PARTS INCLUDED</i></b>
1. Manual Kit (w/ Manual and Warranty Cards)
2. Floor and Side Glass Panels
3. Rear Ceramic Panel

<b><i>OPTIONAL ACCESSORIES</i></b>	
1. S.Z5177.SP - Fan Kit	2. S.Z0519 - 5 Piece Log Set
3. S.Z0760 - LPG Conversion Kit	4. S.Z0761 - NG Conversion Kit

APPLIANCE DIMENSIONS



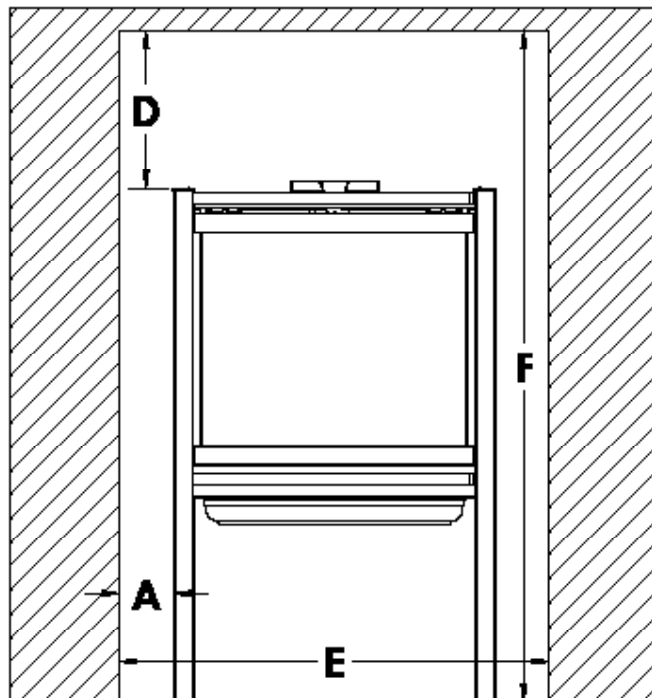
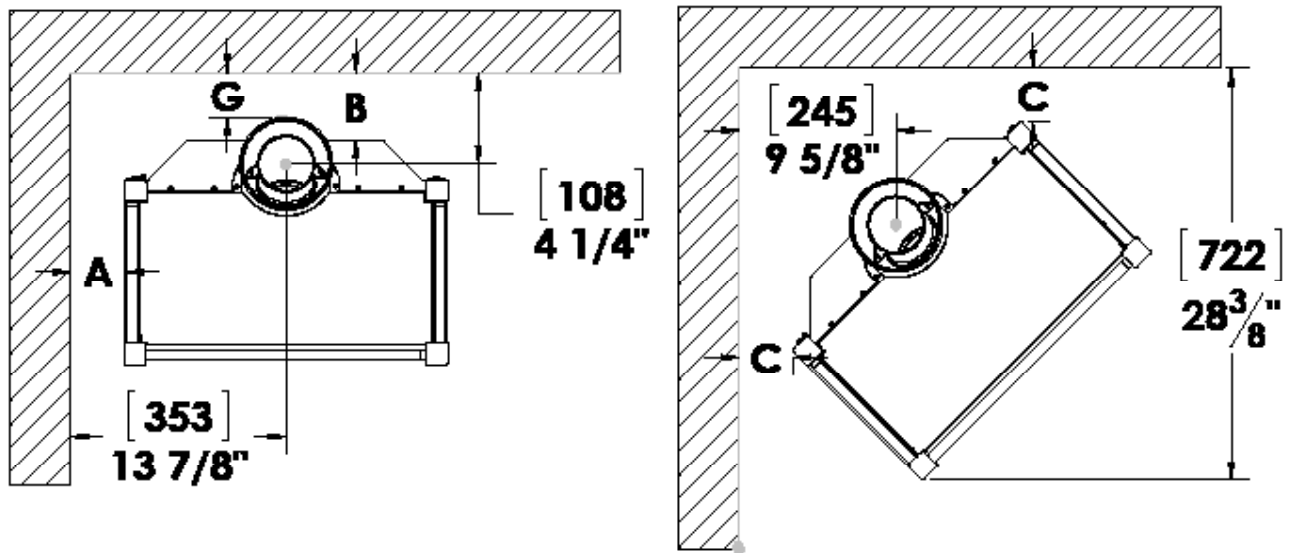
NOTE: RATING AND LIGHTING INSTRUCTION LABELS ARE LOCATED ON THE RIGHT AND LEFT SIDE PANELS. LIFT THE LOWER SIDE PANELS UP AND OFF TO VIEW.



# SAFETY CLEARANCES

<i>MINIMUM CLEARANCE TO COMBUSTIBLES</i>		
<b>A</b>	Appliance to Side Wall	2" (51 mm)
<b>B</b>	Appliance to Rear Wall	2.5" (64 mm)
<b>C</b>	Appliance Corner to Side/Rear Wall	2" (51 mm)
<b>D</b>	Appliance Top to Alcove Ceiling	33" (838 mm)
<b>E</b>	Alcove Width	27.875" (708 mm)
<b>F</b>	Alcove Height	70.5" (1791 mm)
<b>G</b>	Appliance Vent to Side/Rear Wall	1" (25 mm) from outer surface

**NOTE: CHECK LOCAL CODES FOR FLOOR PROTECTION REQUIREMENTS. THIS APPLIANCE IS CERTIFIED FOR INSTALLATION ON A COMBUSTIBLE SURFACE.**



**⚠️ WARNING**

**FIRE OR EXPLOSION HAZARD. FAILURE TO FOLLOW SAFETY WARNINGS EXACTLY COULD RESULT IN PROPERTY DAMAGE, SERIOUS BODILY HARM, OR DEATH.**

***YOUR SAFETY***

- To prevent injury, do not allow anyone who is unfamiliar with the appliance to operate it.
- The appliance should be inspected before initial use and, at least, annually by a qualified service person.
- It is imperative the control compartments, burners, and circulating airways of the appliance be kept clean. More frequent cleaning may be required due to excessive lint from carpeting, bedding material, etc.
- Always connect this gas appliance to a vent system and vent to the outside of the building envelope. Do not vent to another room or inside the building. Do not connect to a chimney flue serving a separate solid-fuel burning appliance. Ensure the specified vent pipe is used, properly sized, and of adequate height to provide sufficient draft. The flow of combustion and ventilation air must not be obstructed.
- Have the venting system inspected annually by a qualified installer for blockage and signs of deterioration.
- If this appliance is pulled out of its installation and/or the vent-air intake pipes are disconnected for any reason, ensure that the vent-air intake pipes are reconnected and re-sealed in accordance to the instructions noted in the “*INSTALLATION*” section.
- Due to high temperatures, this appliance should be located out of high traffic areas and away from furniture and draperies.
- Young children should be carefully supervised when in the same room as the appliance. Toddlers, young children, and others may be susceptible to accidental contact burns. A physical barrier is required if there are at risk individuals in the house. To restrict access to the appliance, install an adjustable safety gate to keep toddlers, young children, and other at risk individuals out of the room and away from hot surfaces. Any safety screen, guard, or barrier removed for servicing the appliance must be replaced prior to operating the appliance.
- Clothing or other flammable materials should not be placed on or near the appliance. This appliance should not be used as a drying rack for clothing or for hanging Christmas stockings/decorations.
- Do not store or use gasoline or other flammable vapors and liquids in the vicinity of this appliance.
- Due to the paint curing, a faint odor and slight smoking will likely be noticed when the appliance is first used. Open a window until the smoking stops.
- To prevent injury, if the pilot or pilot and burners have gone out on their own, open the glass door and wait 5 minutes to air out before attempting to relight the appliance.
- Do not use this appliance if any part has been under water. Immediately contact a qualified service technician to inspect the appliance and to replace any part of the control system and any gas control which has been under water.
- Do not abuse the glass by striking it or slamming the door shut.



### OPTIMAL VENTING PERFORMANCE

For best venting performance, follow these guidelines:

1. This appliance must be vented using the following listed and approved vent components: Selkirk (Direct-Temp), Americent, M&G Duravent, BDM, Olympia, and ICC. Read the manufacturer's installation instructions before installing the venting system.
2. The venting of this appliance must be installed in a location free of plumbing, electrical wiring, and heating or air conditioning ducts.
3. Observe minimum and maximum vent height and length restrictions stated in this manual.
4. Never slope horizontal vents downwards. Support horizontal vent runs every 3 ft (915 mm) to prevent sagging.
5. This appliance needs fresh air for safe operation and must be installed with provisions for adequate ventilation air. Provide clearance around air openings of the appliance. Do not obstruct openings.
6. Provide adequate clearances for servicing of the appliance.

### WARNING

**A MINIMUM CLEARANCE OF 13" (330 mm) MUST BE MAINTAINED FROM COMBUSTIBLE MATERIAL ABOVE ANY HORIZONTAL VENT RUN. A MINIMUM CLEARANCE OF 1" (26 mm) MUST BE MAINTAINED AROUND ALL OTHER VENT RUNS (VERTICAL OR HORIZONTAL). FAILURE TO COMPLY WILL VOID WARRANTY AND MAY RESULT IN PROPERTY DAMAGE.**

### WARNING

**ALLOWING HORIZONTAL VENT PIPE TO SLOPE DOWN TOWARDS THE VENT TERMINATION COULD CAUSE POOR COMBUSTION AND/OR HIGH TEMPERATURES THAT MAY PRESENT A FIRE HAZARD. MAINTAIN AN UPWARD SLOP OF 1/4" (7 mm) FOR EVERY 1 ft (305 mm) OF HORIZONTAL VENT RUN.**

### VENT CONNECTIONS

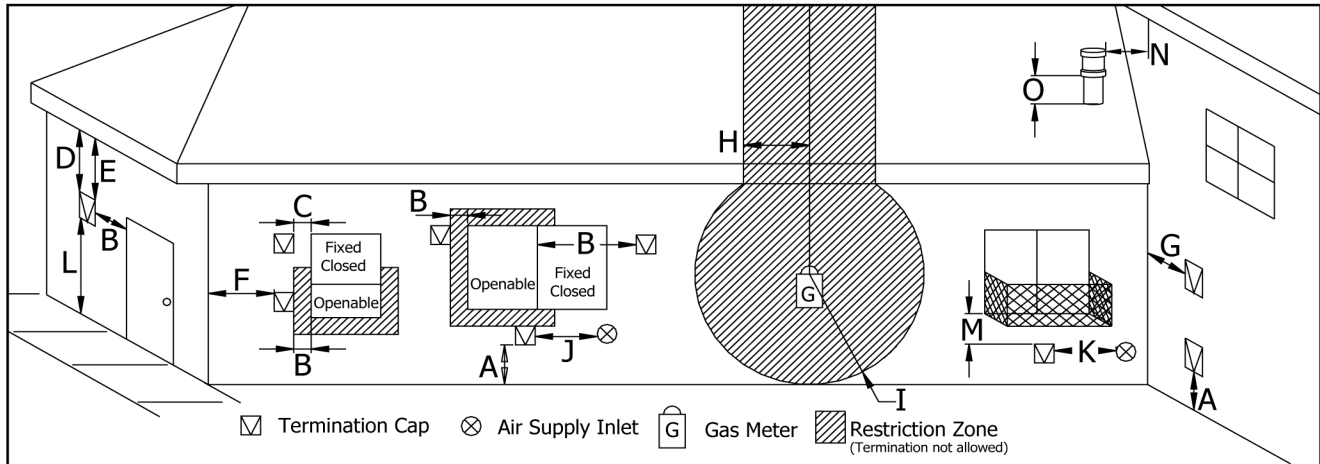
Rigid vent systems use twist lock connections. The female end of the vent pipe has four indentations evenly spaced around the pipe which are designed to slide over the male end of the vent pipe and locate into four entry slots. To ensure a completely sealed vent system, a high temperature sealing compound must be used to seal the joints. Apply a bead of high temperature sealant (**NON-SILICONE**) to both the 4" exhaust and 6-5/8" intake section of the vent pipe before connecting. Once connected, fully twist the vent pipe to ensure solid, locked connections.

**Note: When assembling, ensure seams are aligned and hidden to yield best visual appearance.**

### VENT TERMINATION LOCATION

- In heavy snowfall areas make sure the vent termination is located where it will not be blocked by snowfall or snow from snow removal equipment.
- Locate the vent termination away from plants, bushes, or any other object on or near the vent termination that will interfere or obstruct the air flow around it.
- Do not recess vent termination into walls, sidings, or planters.
- Vent terminations located below 7 ft (2130 mm) from grade level or anywhere that it is a burn hazard to the public, such as patios and balconies, must be protected with an approved termination cage.

## VENT TERMINATION RESTRICTIONS



**TABLE 1 - VENT TERMINATION CLEARANCES**

Letter	Canadian Installation <sup>1</sup>	US Installation <sup>2</sup>	Description
A	12 in (30 cm)		Clearance above grade, verandah, porch, deck, or balcony.
B	12 in (30 cm)	9 in (23 cm)	Clearance from window or door that may be opened.
C	12 in (30 cm)*		Clearance from permanently closed window (to prevent condensation).
D	24 in (60 cm)*		Vertical clearance to ventilated soffit located above the terminal, within a horizontal distance of 2 ft (60 cm) from center line of terminal.
E	12 in (30.5 cm) to 24" (61 cm)		Clearance to unventilated soffit.
F	12 in (30 cm)*		Clearance to outside corner.
G	12 in (30 cm)*		Clearance to inside corner.
H	3 ft (91 cm) within a height of 15 ft (4.5 m) above the meter/regulator assembly	3 ft (91 cm) within a height of 15 ft (4.5 m) above the meter/regulator assembly*	Clearance to each side of center line extended above meter/regulator assembly.
I	3 ft (91 cm)		Radial clearance around service regulator vent outlet.
J	12 in (30 cm)		Clearance to non-mechanical air supply inlet to building, or the combustion air inlet to any other appliance.
K	6 ft (1.83 m)	3 ft (91 cm) above if within 10 ft (3 m) horizontally	Clearance to mechanical air supply inlet.
L	7 ft (2.13 m) <sup>t</sup>	7 ft (2.13 m) <sup>*t</sup>	Clearance above paved sidewalk or paved driveway located on public property.
M	12 in / 30 cm <sup>+</sup>	12 in / 30 cm <sup>*+</sup>	Clearance under verandah, porch, deck, or balcony.
N	12 in (30 cm)*		Clearance horizontally to any surface (such as an exterior wall) for vertical terminations.
O	12 in (30 cm)		Clearance above roof line for vertical terminations.

<sup>1</sup> In accordance with the current CSA B149, Natural Gas and Propane Installation Code.

<sup>2</sup> In accordance with the current ANSI Z223.1 NFPA 54, National Fuel Gas Code.

\* These numbers are only estimates.

<sup>t</sup> A vent shall not terminate directly above a side walk or paved driveway that is located between two single family dwellings and it serves both dwellings.

<sup>+</sup> Permitted only if verandah, porch, deck, or balcony is fully open on a minimum of two sides beneath the floor.

Clearances are in accordance with local installation codes and the requirements of the gas supplier.

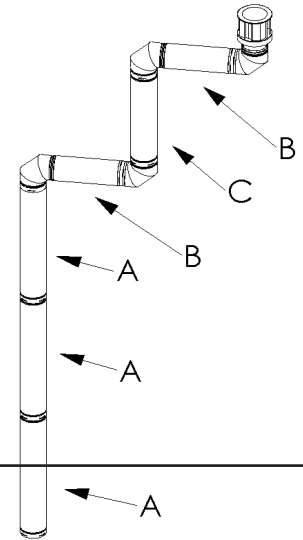
**NOTE: Venting terminals shall not be recessed into walls or siding.**

**VENTING CONFIGURATIONS**

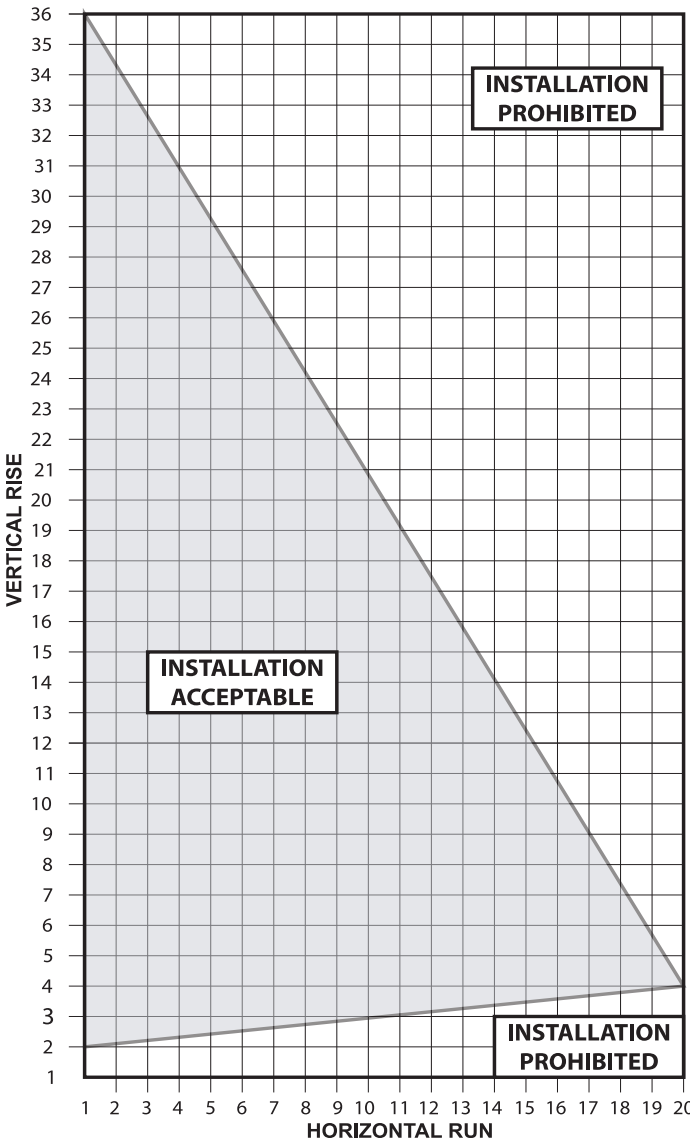
- Maximum total vent length = 36 ft (10.97 m)
- Maximum vertical vent length = 36 ft (10.97 m)
- Minimum vertical vent length = 2 ft (0.61 m)
- Maximum horizontal vent length = 20 ft (6.10 m), with minimum 4 ft (1.22 m) vertical off appliance
- Minimum horizontal vent length = 1 ft (0.30 m), with minimum 2 ft (0.61 m) vertical off appliance

**Note:**

- No more than 4 - 90° elbows, or equivalent, allowed.
- Must use vent restrictor on vents from 15 ft (4.57 m) to 20 ft (6.09 m) to obtain optimal flame appearance, see “*VENT RESTRICTOR*” and “*BURNER FLAME APPEARANCE*”.



**VENT LENGTH CALCULATION**



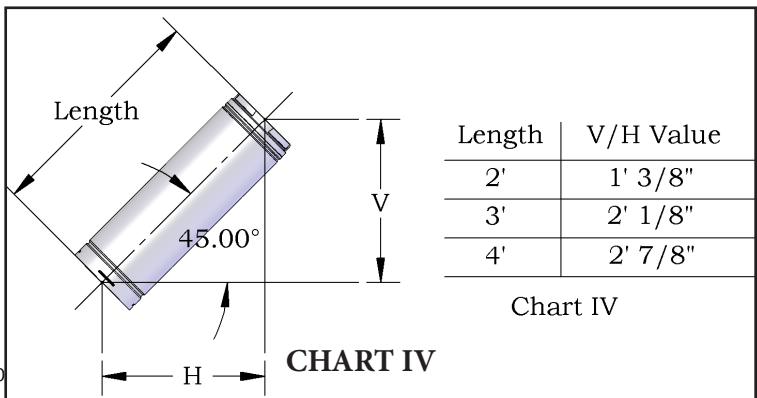
**Example 1**

**V Value** = 3A (12') + 1C (3') = 15'  
**H Value** = 2B (4') = 4'

**V Value** = Total length of all vertical sections in feet.  
**H Value** = Total length of all horizontal sections in feet.

**Note:**

- for H & V values for 45° venting, see Chart IV
- elbows are not counted in H or V values
- vent chart starts from the top of the unit



**VERTICAL VENT INSTALLATION**

When planning your installation determine if ceiling joists, roof rafters, or other framing will obstruct the vent system. You may have to use 45° elbows to navigate around obstacles. Always maintain a 1" clearance around the vertical vent pipe when passing through ceilings, roofs, enclosures, attic rafters, or any combustible surfaces.

**Note: Do not pack air spaces with insulation.**

- If an offset is necessary in the attic to avoid obstructions, it is important to support the vent pipe every 3 ft (914 mm) to avoid excessive stress and possible separation on the elbows. Use wall straps as needed (Fig. 1).
- When possible, use 45° elbows rather than 90° elbows to reduce restriction to the flow of flue gases and intake air.
- For multi story installations, a ceiling firestop is required at the second floor, and on any subsequent floors (Fig. 2).
- Any occupied areas above the first floor, including closets and storage spaces, which the vertical vent passes through must be enclosed. The enclosure may be framed and sheet-rocked with standard building materials. However, consult the appliance manufactures installation instructions for the minimum allowable clearance between the outside of the vent pipe and the combustible surfaces of the enclosure. Do not fill any required air spaces with insulation.

**CEILING PASS THROUGH**

When passing through a flat ceiling install a Ceiling Box or Wall thimble. Cut a 10" (254 mm) square hole and frame (Fig. 3). Ensure all pipe sections are fully twist locked.

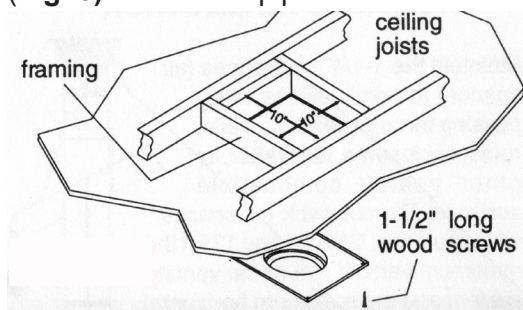


Fig. 3

**THROUGH ROOF FRAMING**

Maintain a 10" (254 mm) opening relative to the pitch of the roof. Use a suitable round or square support through the roof. Ensure adequate heat shield protection is provided (Fig. 4).

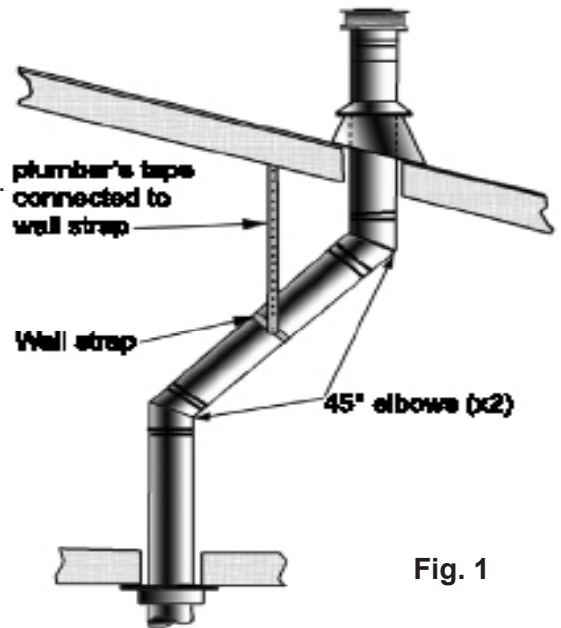


Fig. 1

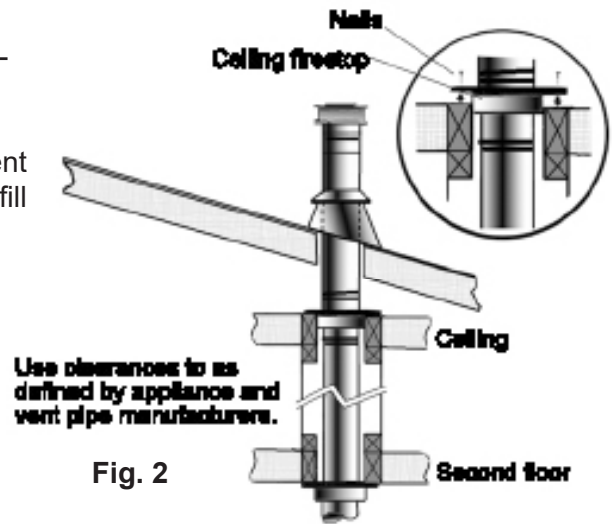


Fig. 2

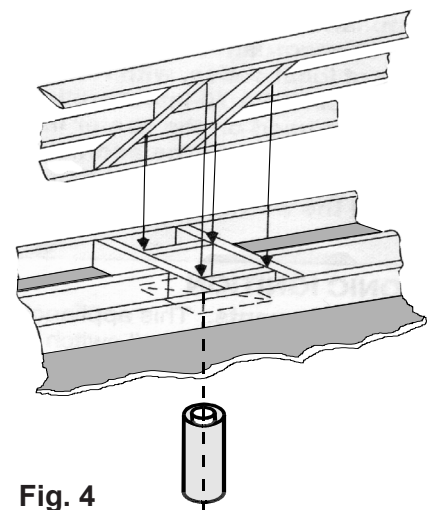
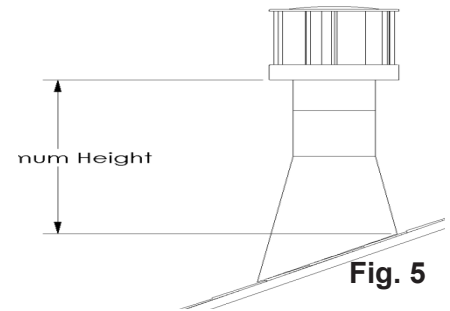


Fig. 4

***ABOVE ROOF TERMINATION***

The vent must be a minimum 2' (610 mm) from any wall. Install flashing with the upper portion slid under the roofing material and the lower portion over the roofing material (**Fig. 5**). Consult local codes for minimum vent cap height above the roof.

**Note: Do not fully fasten until final adjustments have been made.**

***EXTERIOR WALL PASS THROUGH***

Mark a 10" (254 mm) square around the center mark. Cut and frame the exterior wall to accept the wall penetration heat shield. Install the shield using wood screws. If the wall being penetrated is constructed of non-combustible material, a 7" (178 mm) diameter hole is acceptable.

**NOTE: When installing a termination onto vinyl siding, a vinyl siding kit must be used. This prevents the termination from being recessed into the siding.** Apply a bead of non-hardening mastic to form a seal between the standoff and the termination cap. Attach the termination cap to the exterior wall by inserting four wood screws through the holes in the corners of the vent termination. Complete the installation by applying a bead of mastic around the outer edge of the vinyl standoff. With the termination cap installed, you can now connect the vent pipe by sliding the appliance back towards the wall and carefully inserting the vent pipe into the terminal. Before the final connection is made, slide on the decorative wall thimble. Secure the termination cap by fastening the termination straps to the pipe as close to the exterior wall as possible using sheet metal screws. Ensure that the straps are hidden by the wall thimble cover. Apply decorative trim if required.

**NOTE: THIS SECTION OF THE MANUAL IS FOR THE USE OF QUALIFIED SERVICE PERSONS ONLY.**

### ***GAS CONNECTIONS***

Have your gas supplier or a qualified gas fitter run a gas supply line to the appliance. The line must be properly sized and fitted according to the installation codes. This appliance is equipped with a manual shutoff ball valve with a 1/2" female pipe thread outlet. Check for proper gas supply pressure:

- Use a small, flat tip screw driver to loosen the set screw on supply pressure tap on the gas valve (refer to "*SIT VALVE SCHEMATIC*" for pressure tap location).
- Once loose, place a test gauge on the tap.
- The minimum supply pressure is 7.0" w.c. (1.24 kPa) for natural gas and 11.0" w.c. (3.0 kPa) for propane.
- The maximum supply pressure should never exceed 14.0" w.c. (3.48 kPa) or 0.5 psi for both natural gas and propane.
- **When finished testing, be sure to retighten the pressure tap set screw.**

Before connecting the appliance to the gas supply line, double check that the appliance is indeed designed for the gas type you are using. The gas type markings are located on the appliance rating label as well as on the appliance's gas valve. Adequate clearance for proper installation and checking of the gas connections must be provided. All gas connections must be checked for gas leaks before appliance operation.

### **⚠ WARNING**

**THIS APPLIANCE AND ITS MANUAL SHUTOFF VALVE MUST BE DISCONNECTED FROM THE GAS SUPPLY PIPING SYSTEM DURING ANY PRESSURE TESTING WHERE TEST PRESSURES EXCEED 1/2 psi (3.5 kPa).**

**THE APPLIANCE MUST BE ISOLATED FROM THE GAS SUPPLY PIPING SYSTEM BY CLOSING ITS MANUAL SHUTOFF VALVE DURING ANY PRESSURE TESTING WHERE TEST PRESSURES ARE EQUAL TO OR LESS THAN 1/2 psi (3.5 kPa).**

**FAILURE TO COMPLY WILL DAMAGE THE APPLIANCE'S GAS VALVE AND VOID MANUFACTURER'S WARRANTY.**

### ***HIGH ALTITUDE INSTALLATION***

When installing this appliance above altitudes of 4500 ft (1372 m) above sea level, the appliance must be properly de-rated and installed according to local codes or, in the absence of local codes, with the current National Fuel Gas Code ANSI Z223.1/ NFPA 54 in the U.S. or Installation Code CSA-B149.1 in Canada.



**INITIAL SETUP**

1. Remove the Top Lid from appliance and set aside. (Fig. 8)

2. Locate the two Door Latch Springs on top of the Firebox. Pull both tabs forward, up, and off the upper door tabs. (Fig. 8)

3. Carefully slide the Door up and out of the appliance and set aside. (Fig. 9) **Note: Press the door glass to the door frame when removing the door as the glass is only held in place with silicone.** Remove the warning label affixed to the door glass at this time.

4. Slide the Safety Screen up and out of the appliance and set aside. (Fig. 10)

5. Remove the packaged contents from inside the Firebox and set aside in a safe place.

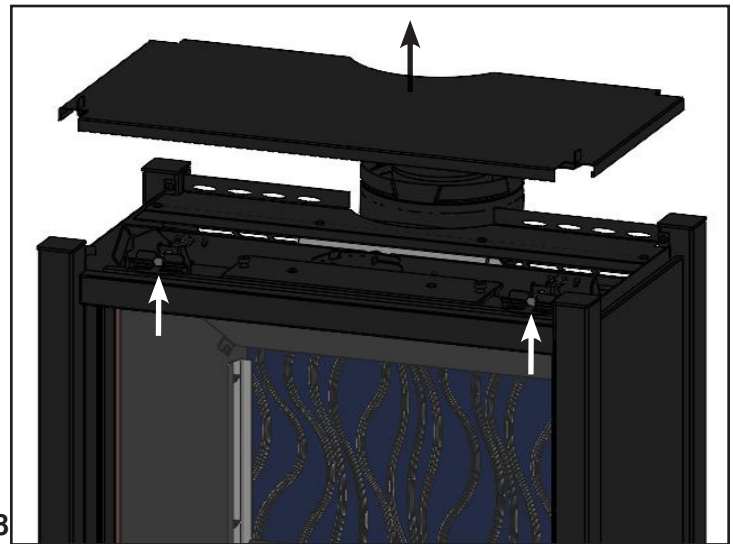


Fig. 8

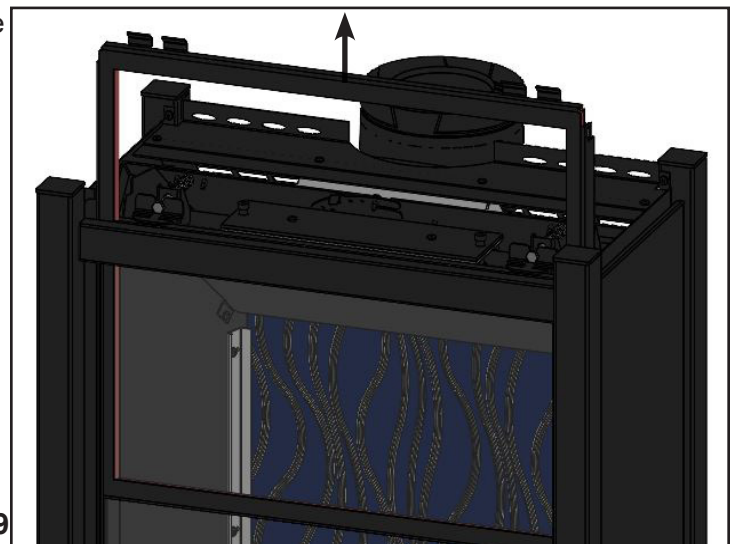


Fig. 9

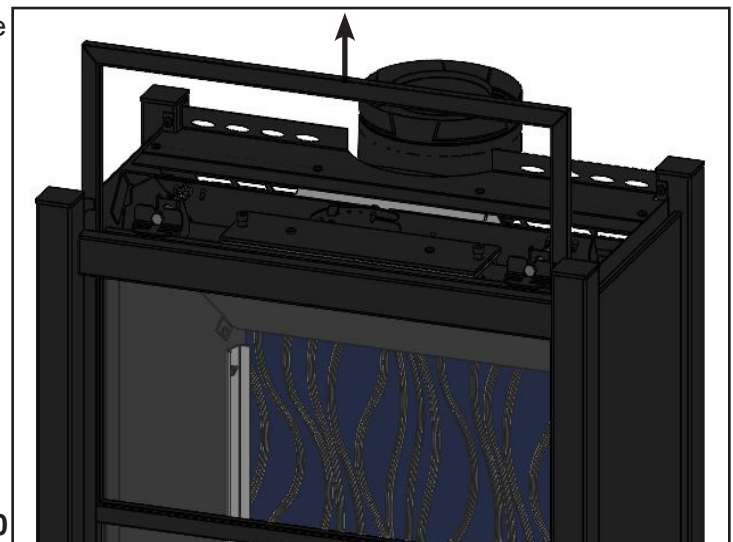


Fig. 10

- Remove the Floor Plate assembly from Firebox and set aside. (**Fig. 11**)

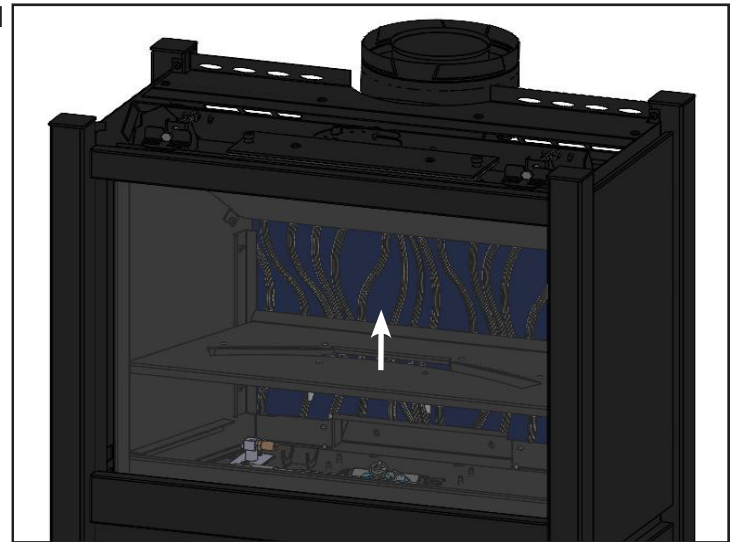


Fig. 11

- Inside the Firebox, loosen the fastener securing the upper left tab (**Fig. 12**) and then install the Left Side Glass Panel up under the tab while resting on the lower support. **Note: Handle glass carefully by the edges. Wear gloves to avoid leaving fingerprints, clean before installing if necessary. The label affixed to the side glass should be facing into the firebox.** Once the glass is in place, re-tighten the upper tab. Remove the label from the glass panel at this time.
- Repeat **Step 7** to install the Right Side Glass Panel.



Fig. 12

- Carefully place the Floor Plate assembly back into position and then place the Floor Glass Panel on top. (**Fig. 13**) **Note: The smooth side of the floor glass panel should face up.**
- If installing an optional Log Set, please refer to the installation instructions provided with the Log Set. If not installing a Log Set, repeat **Steps 1 to 4** in reverse order to complete the initial setup.

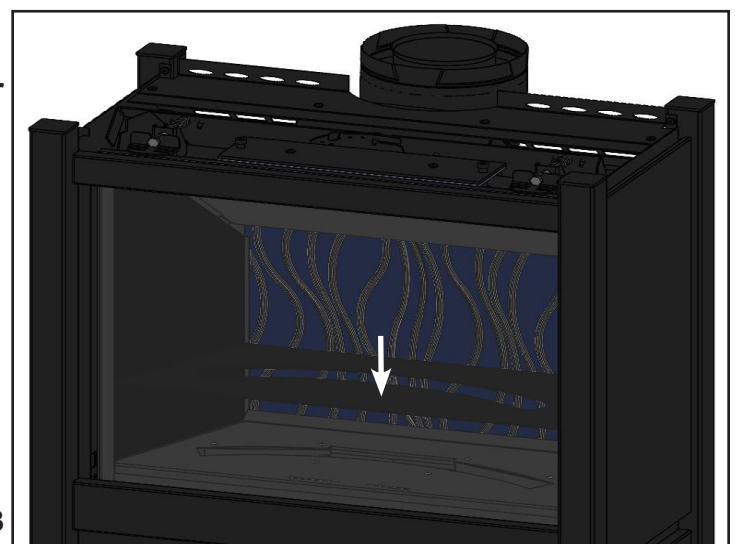


Fig. 13



### **MOBILE HOME INSTALLATION**

This appliance is approved for installation in a manufacture (mobile) home. A manufactured home (USA only) or mobile home OEM installation must conform with the Manufactured Home Construction and Safety Standard Title 24 CFR Part 3280 or, when such a standard is not applicable, the Standard for Manufactured Home Installations ANSI / NCSBCS A225.1 or Standard for Gas Equipped Recreational Vehicles and Mobile Housing CSA Z240.4. Ensure the unit is permanently electrically grounded to the chassis of the home. This appliance must be securely fastened to the floor. Use the provided mounting brackets to secure the appliance to the hearth or mobile home floor.

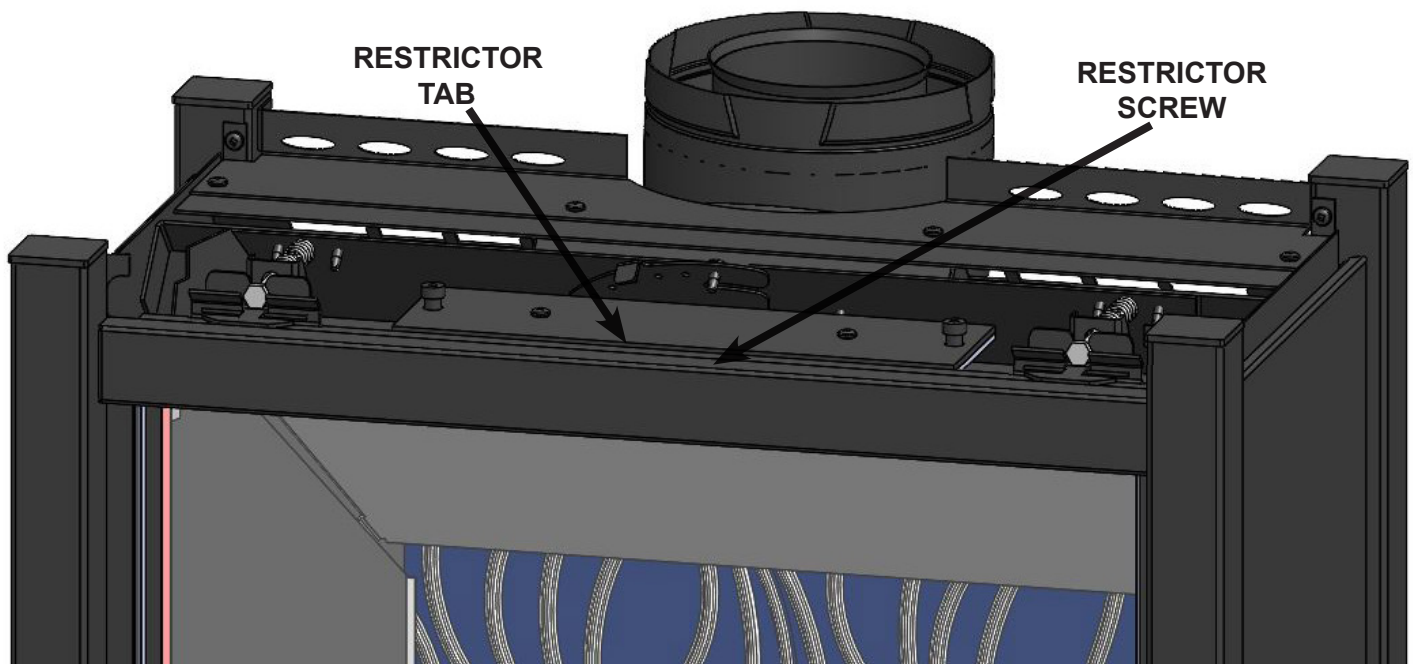
**It is crucial that the structural integrity of the mobile home floor, wall, ceiling, and roof be maintained.**



### **VENT RESTRICTOR**

Due to the high draft produced by certain venting configurations, the vent restrictor may need to be adjusted to ensure maximum performance. If vent restriction is necessary, it can be adjusted as follows:

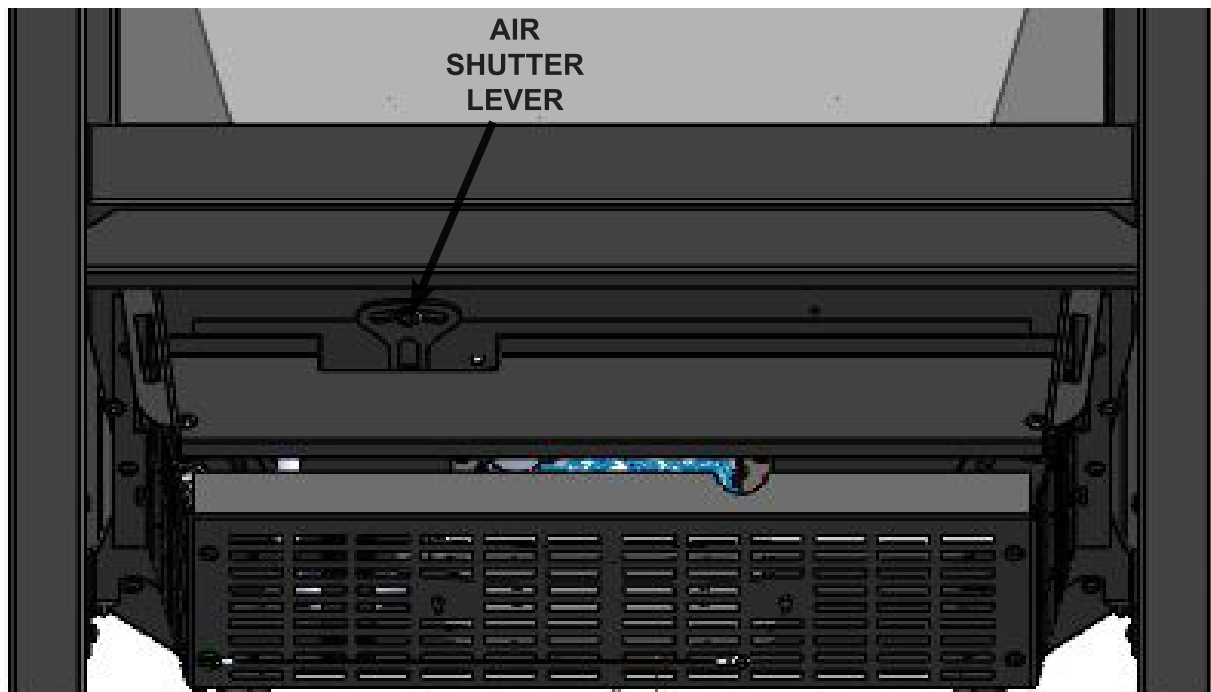
1. Ensure the appliance is turned off and is cool to touch.
2. Remove the Top Lid and set aside. (refer back to “*INITIAL SETUP*”)
3. Unfasten the restrictor screw from the restrictor plate and set aside.
4. Use the restrictor tab to adjust the restrictor plate to obtain desired flame height (will need to fire appliance to confirm flame height).
5. Once desired flame height is achieved, reinstall the restrictor screw and then the Top Lid.



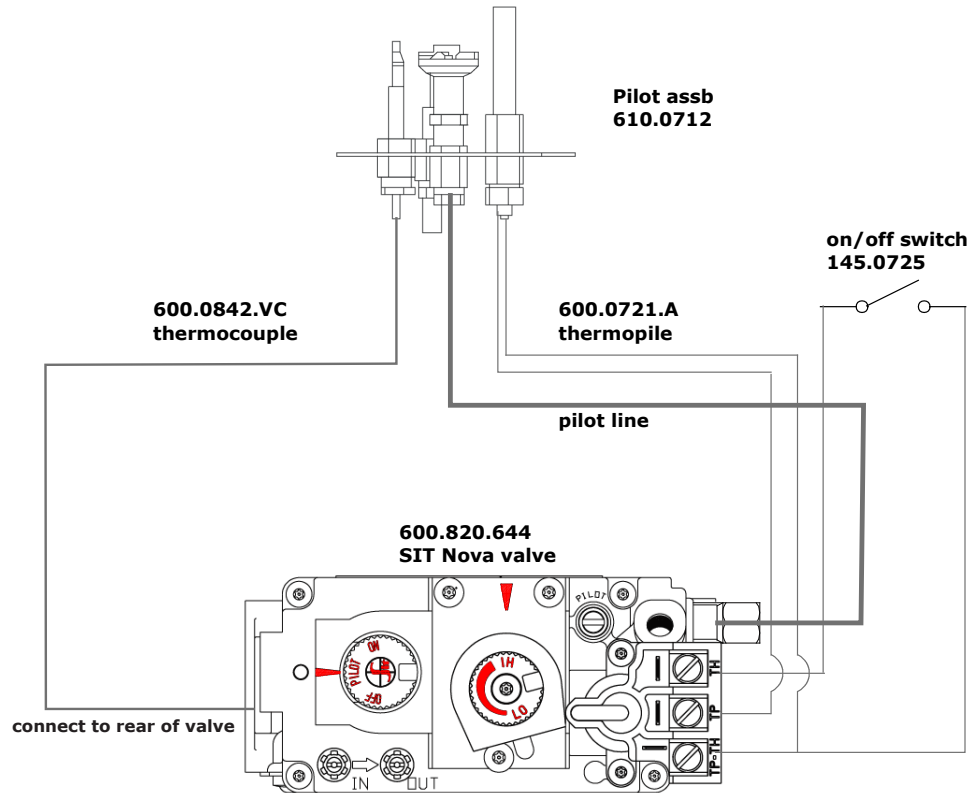
***AIR SHUTTER ADJUSTMENT***

The air shutter allows the amount of air coming into the burner to be adjusted in order to accommodate different climates and venting arrangements.

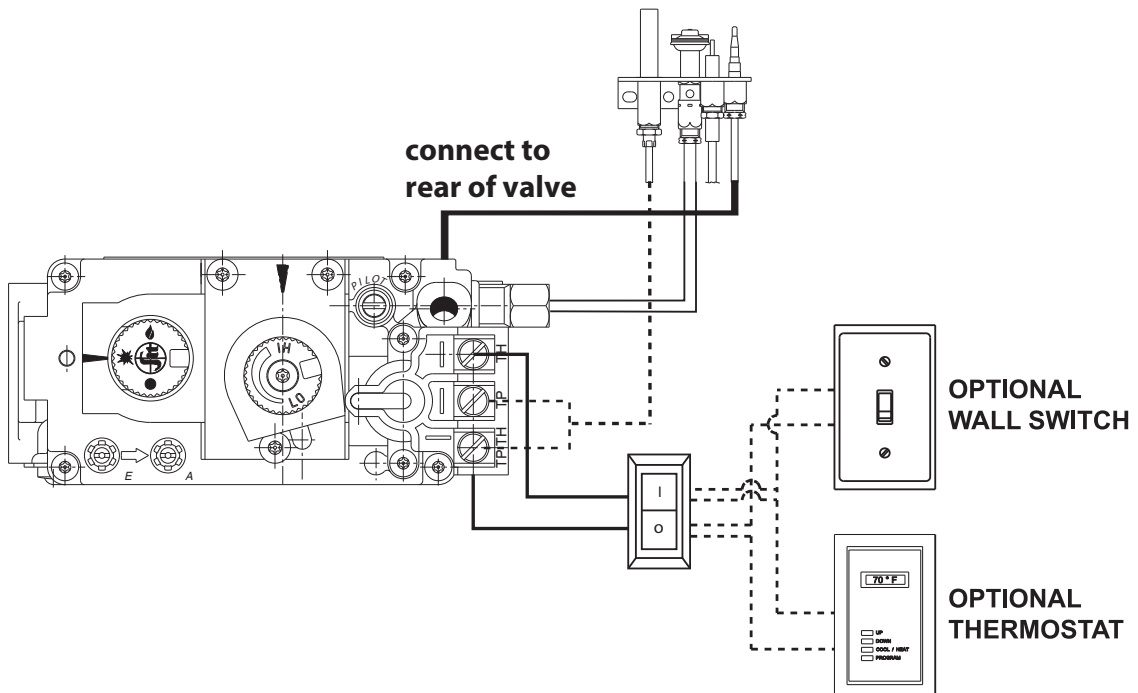
1. To access the air shutter adjustment lever, open the hinged door beneath the firebox. It is in the upper left-hand side.
2. Start the pilot and then the burner. Allow the appliance to run for 15 minutes before making any air adjustments.
3. The ideal flame will be blue at the base and light orange above. If the flames are short and mostly blue, the fireplace is getting too much air, therefore, the air shutter should be closed until the correct flames are achieved. To close, slide the air shutter in small increments to the right to reduce the amount of air in.
4. Flames that are very orange and have tall, dark, stringy tips are not getting enough air, therefore, the air shutter should be opened until the correct flames are achieved. To open, slide the air shutter in small increments to the left to increase the amount of air in.
5. When satisfied with the flame color, retighten air shutter lock screw.

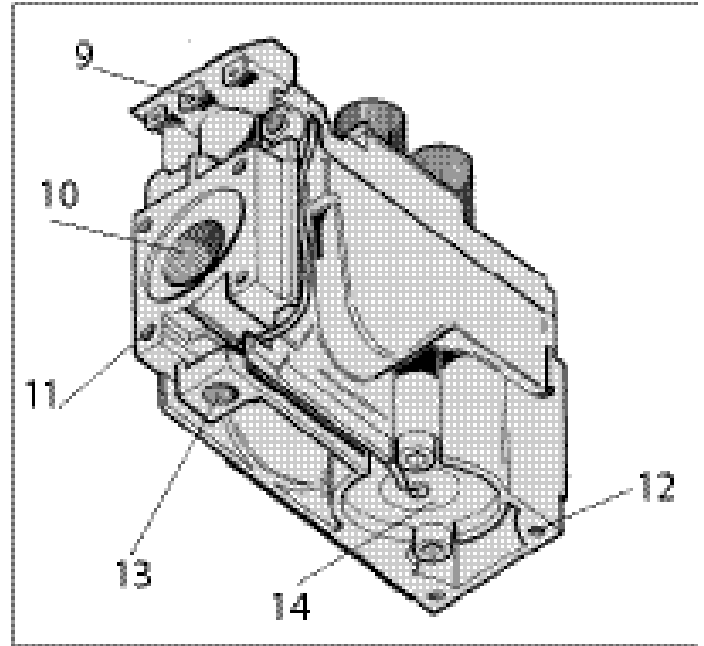
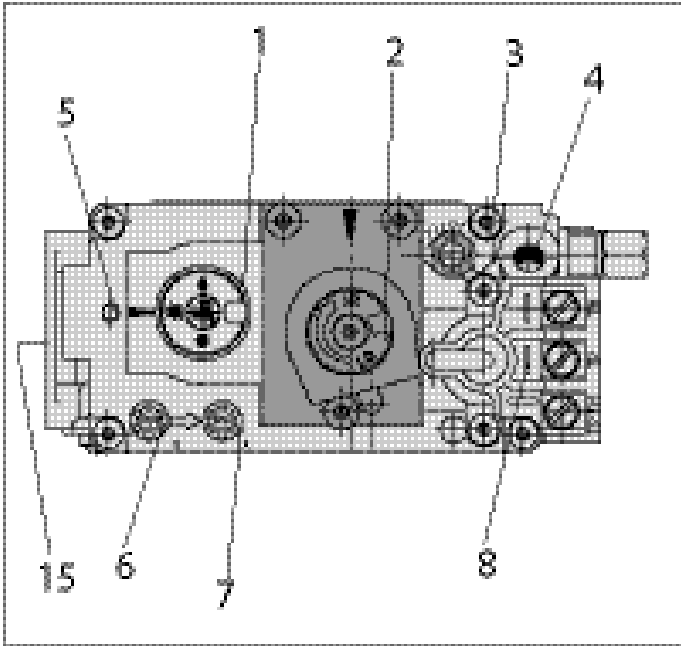


## SIT WIRING DIAGRAM



## OPTIONAL THERMOSTAT & WALL SWITCH WIRING DIAGRAM



*SIT VALVE SCHEMATIC*

<i>820 NOVA VALVE</i>	
1	ON/PILOT/OFF Knob
2	Manual HI-LO adjustment or pressure regulator adjustment
3	Pilot adjustment
4	Thermocouple connection
5	Mounting for piezo & bracket
6	Inlet pressure test point
7	Outlet pressure test point
8	Main operator
9	Pilot outlet
10	Main gas outlet
11	Flange mounting screw holes
12	Additional valve mounting holes
13	Alternative TC connection point
14	Thermoelectric unit
15	Inlet

**FUEL CONVERSION**

This appliance is approved to operate on either natural gas or propane. The factory pre-set is for natural gas. If converting to propane (or back to natural gas), a conversion kit is required. Each kit contains:

- S.Z0760 (LPG): 1.5 mm orifice, LPG regulator, and conversion labels.
- S.Z0761 (NG): #39 orifice, NG regulator, and conversion labels.

To convert from NG to LPG or reverse:

1. Ensure the appliance is turned off and cooled to touch.
2. Remove the safety screen, door, floor glass, floor plate assembly, and burner assembly.
3. Change out main burner orifice with conversion kit orifice.
4. Convert pilot fuel.
5. Remove valve.
6. Change out stepper motor pressure regulator.
7. Reinstall all components accordingly.

**Note:** If the appliance is installed at a higher altitude, refer back to “HIGH ALTITUDE INSTALLATION”.

### ⚠ WARNING

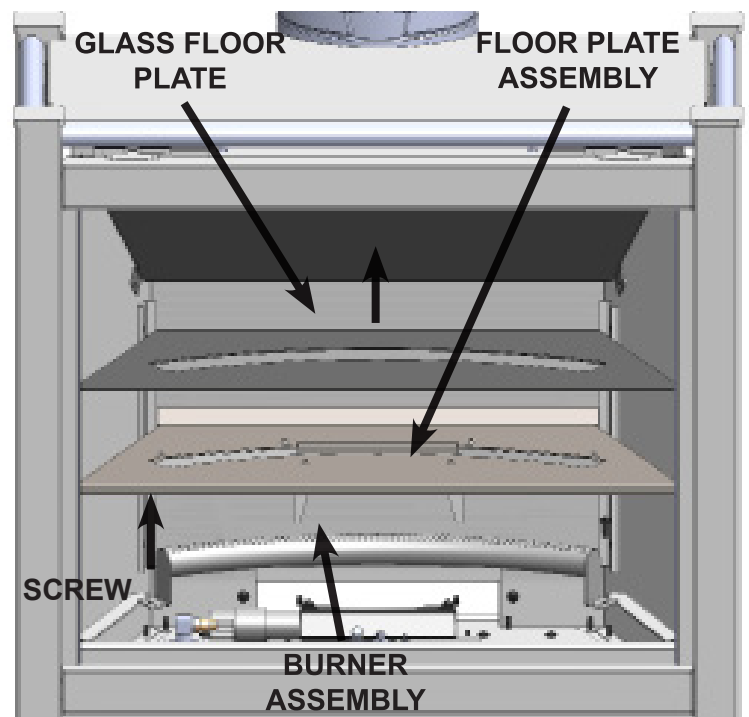
**THIS CONVERSION KIT SHALL BE INSTALLED BY A QUALIFIED SERVICE PERSON IN ACCORDANCE WITH THE MANUFACTURER’S INSTRUCTIONS AND ALL APPLICABLE CODES AND REQUIREMENTS OF THE AUTHORITIES HAVING JURISDICTION. IF THE INFORMATION IN THESE INSTRUCTIONS IS NOT FOLLOWED EXACTLY, A FIRE, EXPLOSION, OR PRODUCTION OF CARBON MONOXIDE MAY RESULT CAUSING PROPERTY DAMAGE, PERSONAL INJURY, OR DEATH.**

**THE QUALIFIED SERVICE PERSON IS RESPONSIBLE FOR THE PROPER INSTALLATION OF THE KIT. THE INSTALLATION IS NOT COMPLETE UNTIL THE OPERATION OF THE CONVERTED APPLIANCE IS CHECKED AS SPECIFIED IN THE INSTRUCTION MANUAL SUPPLIED WITH THE KIT. BEFORE PERFORMING THIS PROCEDURE, ENSURE BOTH THE GAS SUPPLY AND THE ELECTRICAL SUPPLY ARE SHUT OFF.**

**Burner removal:**

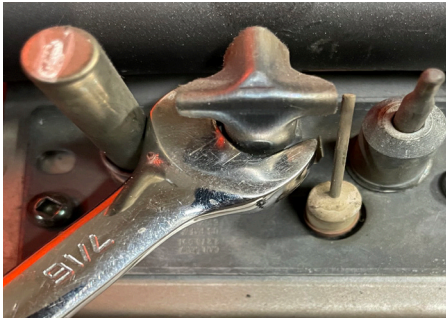
1. Turn off the appliance and allow it to cool down completely.
2. Remove the Door and Safety Screen (refer back to “INITIAL SETUP”).
3. Remove the Glass Floor Panel and set it aside.
4. Remove the Floor Plate and set it aside.
5. Remove Left and Right Side Glass Panels and set aside.
6. Remove the screw from the left hand side of the burner assembly.
7. Remove the burner by moving it to the right, then up, then out.

To re-install the burner, follow these steps in reverse. When installing, ensure the burner is centered within the curved slot of the floor plate.



**Pilot Fuel Conversion:**

1. Use a 7/16 wrench to slightly loosen the pilot hood.
2. Locate the tab at the base of the pilot hood and push it in. This will force a tab with a stamped hole to pop out on the opposite side. **Note: The stamped hole tab indicates use with Propane (LPG) and the unstamped tab indicates use with Natural Gas (NG)**
3. Re-tighten the pilot hood.
4. Fill out the fuel conversion label and affix between the two labels on the control panel door.

**Valve removal:**

1. Shut off the gas to the appliance.
2. Unplug and remove fan if installed.
3. Remove the bottom and rear wire shields (7 screws, 1 ground) (Fig. 17).
4. Undo the gas lines (one in, two out, and pilot).
5. Disconnect all electrical connections to valve including ground wire.
6. Remove the four screws holding the valve bracket to the firebox bottom then remove valve (Fig. 18).
7. Follow these steps in reverse order to reinstall the valve.

**Note: When installing a new valve, check if any unused ports are plugged. Confirm proper outlet pressure (see "GAS CONNECTIONS") and check for leaks.**

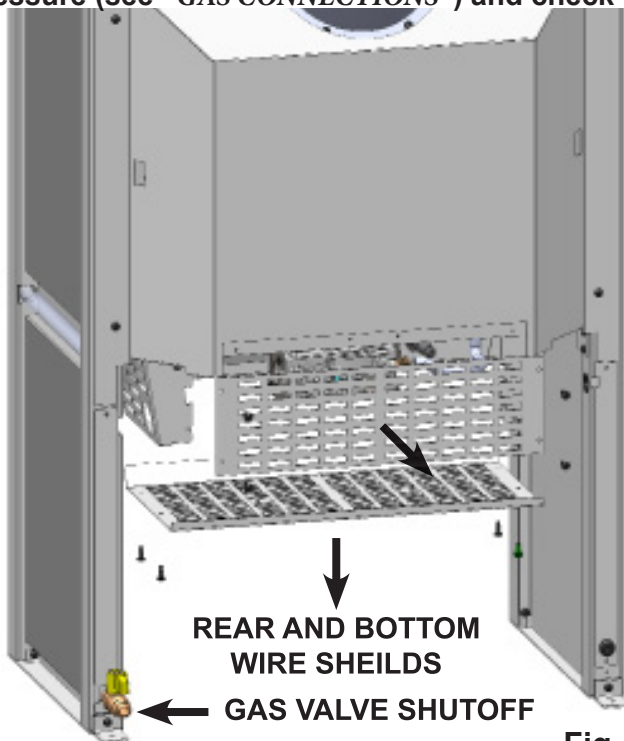


Fig. 17

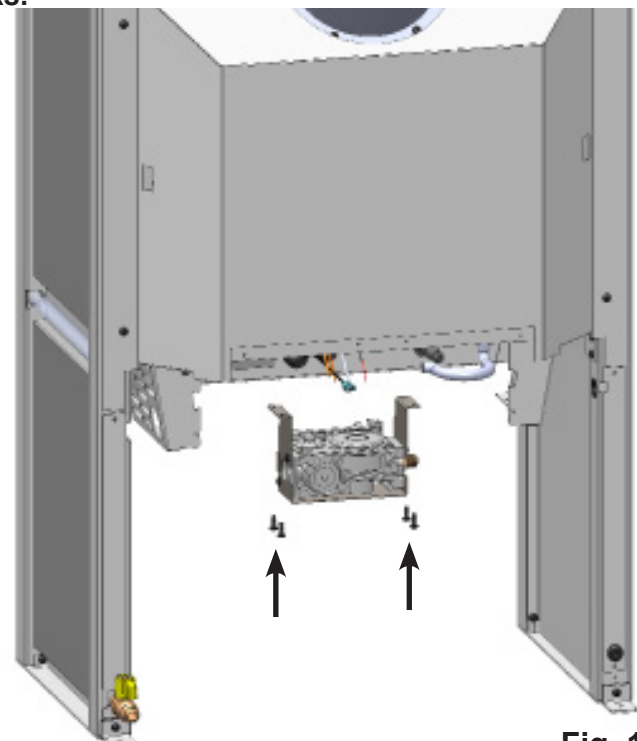


Fig. 18



# installation instructions

7262.021 001

## 820 NOVA

### HI/LO Conversion Kit

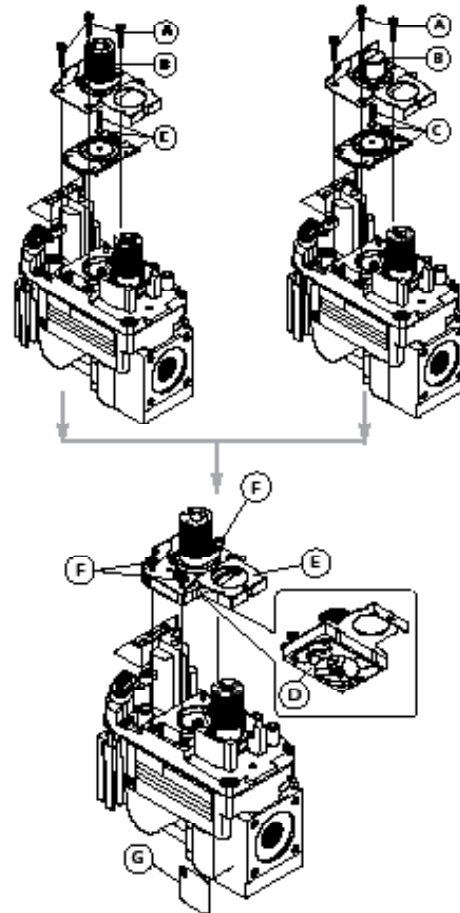


#### WARNING!

The installation of this conversion kit must only be undertaken by a qualified and certified gas appliance installer.

This installation or replacement instruction refer to HI-LO pressure regulator kit to be used to convert the 820 Nova Combination Gas Control with adjustable pressure regulator into manual HI-LO. The same kit can also be used for the conversion from LP to Natural Gas and vice versa of the 820 Nova with manual HI-LO.

- 1 Turn control knob to the OFF position, and shut off the gas supply to the valve.
- 2 Using a Torx T20, or slotted screwdriver, remove and discard the three pressure regulator mounting screws (A), pressure regulator tower (B), and the spring and diaphragm assembly (C).
- 3 Ensure the rubber gasket (D), which is pre-fitted as part of assembly (E), is properly positioned and install the new HI/LO pressure regulator assembly using the supplied screws (F). Tighten screws securely. (Reference torque = 25 lb-in).
- 4 Install the enclosed identification label (G) to the valve body where it can be easily seen.
- 5 Apply gas to system and re-light appliance according to manufacturers instructions.
- 6 With the main burner "ON", test the new pressure regulator assembly for leaks using a soap solution.
- 7 Relight the main burner in both the HI, and LO positions, and verify proper burner ignition and operation.



#### WARNING!

This HI-LO conversion kit must ONLY be applied as part of a conversion kit supplied by the APPLIANCE MANUFACTURER for the specific appliance, and type of gas, being converted.

**INSTALLER NOTICE.** These instructions must be left with appliance.






**SIT Group**

**FOR YOUR SAFETY, READ BEFORE LIGHTING**


**WARNING: If you do not follow these instructions exactly, a fire or explosion may result causing property damage, personal injury or loss of life.**

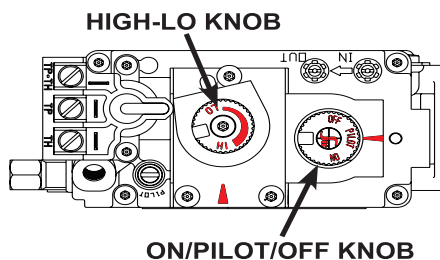
- A. This appliance has a pilot which is lit with a push button piezo lighter. When lighting the pilot, follow these instructions exactly.
- B. BEFORE LIGHTING, smell all around the appliance area for gas. Be sure to smell next to the floor because some gas is heavier than air and will settle on the floor.  
**WHAT TO DO IF YOU SMELL GAS:**
  - Do not try to light any appliance.
  - Do not touch any electric switch; do not use any phone in your building.
  - Immediately call your gas supplier from a neighbor's phone. Follow the gas suppliers instructions.
  - If you cannot reach your gas supplier, call the fire department.
- C. Use only your hand to push in or turn the gas control knob. Never use tools. If the knob will not push in or turn by hand, don't try to repair it, call a qualified service technician. Force or attempted repair may result in a fire or explosion.
- D. Do not use this appliance if any part has been under water. Immediately call a qualified service technician to inspect the appliance and to replace any part of the control system and any gas control which has been under water.

**LIGHTING INSTRUCTIONS**

1. STOP! Read the safety information above.
2. Set the thermostat to the lowest setting.
3. Valve controls are accessed by lowering the hinged panel that is below the firebox.
4. Set the manual burner switch(back right-hand side of the appliance) to the "OFF" position.
5. Push in gas control knob slightly and turn clockwise  to "OFF".
6. Wait five (5) minutes to clear out any gas. Then smell for gas, including near the floor. If you smell gas, STOP! Follow "B" in the safety information above. If you don't smell gas, go to the next step.
7. Turn control knob counterclockwise  to "PILOT" position.
8. Depress control knob and push in Piezo ignitor button. Once pilot ignites, continue to hold the control knob in for about one (1) minute after the pilot is lit. Release knob and it will pop back up. Pilot should remain lit. If it goes out, repeat steps 6 through 8.
  - If knob does not pop up when released, stop and immediately call your service technician or gas supplier.
  - If the pilot will not stay lit after several tries, turn the gas control knob to "OFF" and call your service technician or gas supplier.
9. Turn gas control knob counter clockwise  to "ON". Turn on all electric power to the appliance. Set thermostat to the desired setting or set the manual burner switch to the "ON" position.

**TO TURN OFF GAS TO THE APPLIANCE**

1. Set the thermostat to the lowest setting.
2. Turn off all electric power to the appliance if service is to be performed.
3. Push in gas control knob slightly and turn clockwise  to "OFF". Do not force.

**WARNING**

Improper installation, adjustment, alteration, service or maintenance can cause injury or property damage. Refer to the owner's information manual provided with this appliance. For assistance or additional information, consult a qualified installer, service agency or your gas supplier.

170-0362 [03 18]

**Note: Turning on the appliance when it has been off for a while may cause condensation to appear on the glass. This is a normal occurrence as your appliance heats up.**




**PILOT LIGHT**

Refer to the Lighting Instruction Label on how to light the pilot. Ensure the pilot has fully engulfed the thermocouple assembly. (Fig. 27)

**LIGHTING THE BURNER**

The appliance controls are located behind the hinged door beneath the firebox. (Fig. 28)

To light the burner, follow these steps:

1. Make sure the pilot is lit.
2. Rotate the **"Valve Control"** knob counterclockwise  to ON.
3. Flip the flame ON/OFF switch (located on the back of the rear shield) to ON. (Fig. 29)
4. Rotate the **"Flame Height"** knob to the desired flame height.
5. Turn on all electrical power to the unit.

**Note: Run the appliance on high with the optional blower OFF for the first three hours of operation. This will cure all the paint, gasket, and seals. It is advised to open a door or window as the paint will smoke and produce odors as it is curing.**

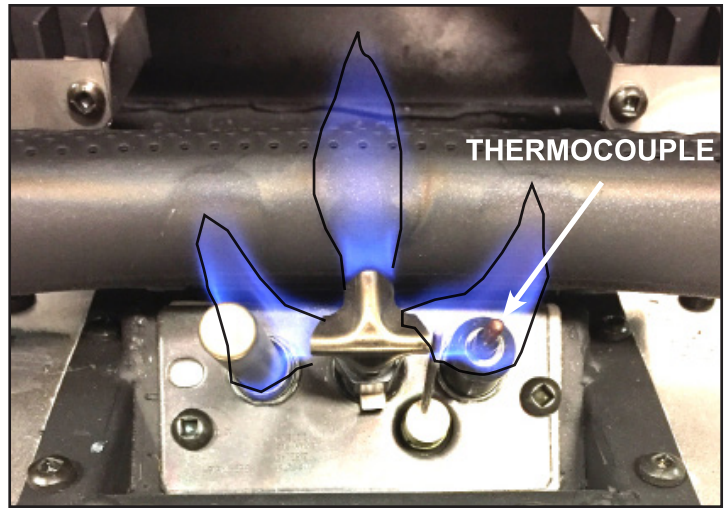


Fig. 27

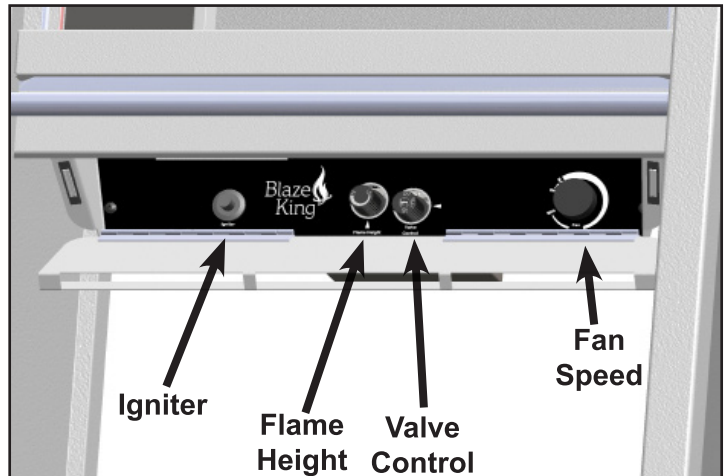






Fig. 28

**OPTIONAL FAN KIT**

To operate the fan, rotate the **"Fan speed"** knob clockwise . The fan will kick on once the fireplace has reached a minimum operating temperature (usually within 10-15 minutes of lighting). Fan speed can be controlled by rotating the knob clockwise  to decrease and counterclockwise  to increase. If left on, the fan will continue to operate after the burner has been turned off, until the appliance has dropped out of operating temperature. To manually shut the fan off, rotate the knob counterclockwise  until it "clicks".

**Note: Fan installation instructions are provided with the kit.**

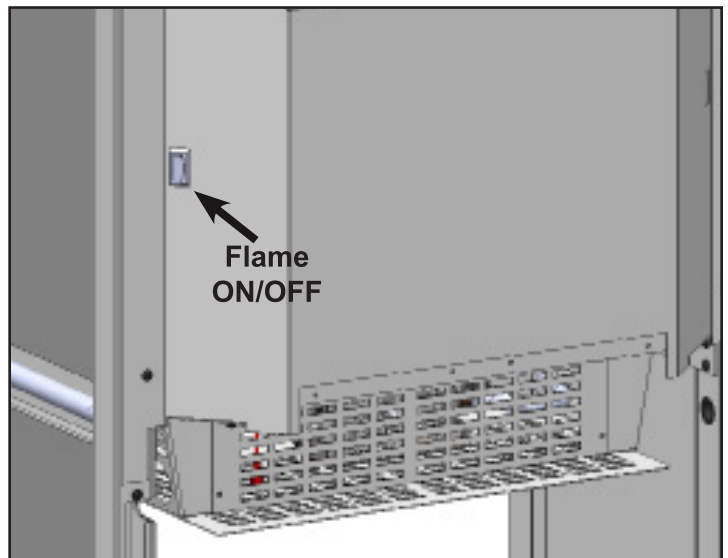


Fig. 29

### **ROUTINE MAINTENANCE**

Blaze King recommends that you regularly:

- Clean away any lint accumulations or debris from the grills and combustion/convection passageways.
- Keep the area around the appliance free from combustible materials such as paper, wood, clothing, gasoline, flammable solids, liquids, and vapors.
- Visually check the height and color of the burner and pilot flames. The pilot flame should be blue with little or no yellow on the tips.
- Check for unusual noises or odors during operation of the appliance.
- Check the vent terminal for any debris accumulation, damage, or obstruction by plants.

It is also recommended to have your appliance serviced by a qualified service technician once a year:

1. Remove the door (refer back to “*INITIAL SETUP*”) and clean the inside of the glass (see below).
2. Remove and clean the glass side and floor panels (see below).
3. Remove and clean the floor panel assembly. Check the burner to ensure all ports are clear and clean. Check the pilot assembly to make sure it is not blocked by anything.
4. Completely inspect the appliance and the venting system.
5. Check the safety system of the gas valve.

### **CLEANING SURFACES**

Painted, powder coated, or porcelain enamelled surfaces should be wiped periodically with a damp cloth. Ensure the appliance has cooled down completely before cleaning. Do not use cleaning agents as they may leave a residue which can become permanently etched into the surface.

### **CLEANING DOOR GLASS**

One of the by-products of combustion and moisture within the firebox is a white film which forms on the glass door. Initial curing of the appliance can also leave a slight film on the glass, which can be addressed by:

1. Turn off the appliance and allow it to cool down completely.
2. Remove the door from the firebox (refer back to “*INITIAL SETUP*”)
3. Check the gasket material on the back of the glass. Ensure that it is attached and intact.
4. Clean the glass with a mild glass cleaner and a soft cloth.

Slight soiling of SCHOTT ROBAX® panels can be removed using conventional glass cleaning products, provided they are used according to instructions of use, which means cleaning on cold surfaces. The residues should be removed since chemical attack is possible on exposure to temperature.

**Note: Do not use scouring pads/agents or abrasive cleaners as they may damage the glass surface.**

### **DOOR GLASS REPLACEMENT**

The door must be removed to replace the door glass (refer back to “*INITIAL SETUP*”). Ensure the appliance is turned off and cooled down completely before handling any components. The door glass in this appliance is a 5 mm high temperature anti-reflective ceramic glass. In the event the glass breaks or cracks, contact your dealer for a factory replacement (see “*PARTS LIST*”). The glass must be purchased from a Blaze King dealer.

## **⚠ WARNING**

**DO NOT OPERATE THE APPLIANCE WITH THE DOOR GLASS REMOVED, CRACKED, OR BROKEN. DOING SO MAY RESULT IN THE RELEASE OF TOXIC FUMES AND/OR CARBON MONOXIDE WHICH MAY RESULT IN POISONING. GLASS REPLACEMENT SHOULD BE DONE BY A QUALIFIED SERVICE PERSON.**

### **SAFETY SCREEN REPLACEMENT**

This appliance is supplied with a pre-installed safety screen. If the safety screen becomes damaged, contact your dealer for a factory replacement (see “*PARTS LIST*”). Refer back to “*INITIAL SETUP*” for removal procedure. When installing the new safety screen, slide it in between the front legs and the screen bracket.

**Ensure the screen mesh is facing outward, farthest from door glass.**

SELKIRK PARTS LIST		
PRODUCT NUMBER	PART	DESCRIPTION
4" x 6 5/8" LENGTHS		
1604006	4DT- 6	DIRECT-TEMP 6" PIPE LENGTH
1604006B	4DT- 6B	DIRECT-TEMP 6" PIPE LENGTH BLACK
1604009	4DT- 9	DIRECT-TEMP 9" PIPE LENGTH
1604009B	4DT- 9B	DIRECT-TEMP 9" PIPE LENGTH BLACK
1604012	4DT-12	DIRECT-TEMP 12" PIPE LENGTH
1604012B	4DT-12B	DIRECT-TEMP 12" PIPE LENGTH BLACK
1604018	4DT-18	DIRECT-TEMP 18" PIPE LENGTH
1604018B	4DT-18B	DIRECT-TEMP 18" PIPE LENGTH BLACK
1604024	4DT-24	DIRECT-TEMP 24" PIPE LENGTH
1604024B	4DT-24B	DIRECT-TEMP 24" PIPE LENGTH BLACK
1604036	4DT-36	DIRECT-TEMP 36" PIPE LENGTH
1604036B	4DT-36B	DIRECT-TEMP 36" PIPE LENGTH BLACK
1604048	4DT-48	DIRECT-TEMP 48" PIPE LENGTH
1604048B	4DT-48B	DIRECT-TEMP 48" PIPE LENGTH BLACK
1604082	4DT-AJ12	DIRECT-TEMP 12" ADJ PIPE LENGTH
1604082B	4DT-AJ12B	DIRECT-TEMP 12" ADJ PIPE LENGTH BLACK
1604084	4DT-TL14	DIRECT-TEMP TELESCOPIC LENGTH 14"-22"
1604084B	4DT-TL14B	DIRECT-TEMP TELESCOPIC LEN BLACK 14"-22"
1604086	4DT-TL38	DIRECT-TEMP TELESCOPIC LENGTH 38"-70"
1604086B	4DT-TL38B	DIRECT-TEMP TELESCOPIC LEN 38"-70" BLACK
4" x 6 5/8" FITTINGS		
1604215	4DT-EL45	45 DEGREE ELBOW
1604215B	4DT-EL45B	45 DEGREE ELBOW BLACK
1604230S	4DT-EL90S	90S DEGREE ELBOW
1604230SB	4DT-EL90SB	90S DEGREE ELBOW BLACK
4" x 6 5/8" ADAPTERS		
1604245B	4DT-AA	APPLIANCE ADAPTER BLACK
1604246B	4DT-AAV	APPLIANCE ADAPTER VERMONT CASTING BLACK
1604247B	4DT-AA47	APPLIANCE ADAPTER UNIVERSAL/NAPOLEON 4x7
1604806	4DT-VS	VINYL SIDING STANDOFF
4" x 6 5/8" ACCESSORIES		
1604285	4DT-RD	RESTRICTION DISK
1604460B	4DT-WT	WALL THIMBLE BLACK
1604500	4DT-FS	FIRESTOP SPACER
1604502	4DT-TP	TRIM PLATE BLACK
1604806	4DT-VS	VINYL SIDING STANDOFF
2003503	4DTVSK	VINYL SIDING STANDOFF ROUND
1604490	4DT-AIS	ATTIC INSULATION SHIELD

# VENTING COMPONENTS

## SELKIRK PARTS LIST cont.

PRODUCT NUMBER	PART	DESCRIPTION
<b>4" x 6 5/8" SUPPORTS</b>		
1604400	4DT-CS	CEILING SUPPORT
1604424	4DT-CCS	CATHEDRAL SUPPORT BOX
1604430	4DT-WS/B	WALL SUPPORT/BAND
1604435	4DT-OS	OFFSET SUPPORT
<b>4" x 6 5/8" TERMINATIONS AND FLASHINGS</b>		
1604620	4DT-VKC	VERTICAL TERMINATION KIT
1604621	4DT-HKA	HORIZONTAL TERMINATION KIT "A"
1604622	4DT-HKB	HORIZONTAL TERMINATION KIT "B"
1604802	4DT-VC	HIGH WIND VERTICAL CAP
1604804	4DT-HC	HORIZONTAL CAP
1604810	4DT-SC	STORM COLLAR
1604825	4DT-AF6	ADJ FLASH 0/12-06/12
1604830	4DT-AF12	ADJ FLASH 6/12-12/12

## AMERIVENT PARTS LIST

4" x 6 5/8" LENGTHS			
PART	DESCRIPTION	PART	DESCRIPTION
4D7	7" Length	4D90L	90° Elbow
4D7B	7" Length - Black	4D90LB	90° Elbow - Black
4D12	12" Length	4DWT	Wall Thimble
4D12B	12" Length - Black	4DVC	Vertical Cap
4D2	24" Length	502672	Horizontal Cap, Square 4DHCS
4D2B	24" Length - Black	4D36S	Siding Shield for 4DHCS (4DHVS)
4D3	36" Length	4DHWS	Wind Screen
4D3B	36" Length - Black	4DWS	Wall Strap
4D4	48" Length	4DFSP	Firestop Support Plate
4D4B	48" Length - Black	4DF	Flashing - 0/12-6/12 Pitch
4D7A	7" Adjustable Length	4DF12	Flashing - 6/12-12/12 Pitch
4D7AB	7" Adjustable Length - Black	4DSC	Storm Collar
4D12A	12" Adjustable Length	4DAIS12	Attic Insulation Shield
4D12AB	12" Adjustable Length - Black	4DCAT43	Attic Insulation Shield - Cold Climates
4D16A	16" Adjustable Length	4DVTK	Vertical Kit*
4D16AB	16" Adjustable Length - Black	4DHTK1	Horizontal Kit #1**
4D26A	26" Adjustable Length	4DHTK2	Horizontal Kit #2***
4D26AB	26" Adjustable Length - Black	4DFPB	Face Plate for Ceiling Support/Wall Thimble - Black
4D45L	45° Elbow	4DRSB	Roof Support - Black
4D45LB	45° Elbow - Black		

M&G DURAVENT DIRECTVENT PRO / GS SYSTEM PARTS LIST		
DESCRIPTION	PART	OLD PART
6" Pipe Length -Black	46DVA-06B	908B
6" Pipe Length -Galvanized	46DVA-06	908
8,5" Black Extension (3"-7")	46DVA-08AB	-
8,5" Galvanized Extension (3"-7")	46DVA-08A	-
9" Pipe Length-Black	46DVA-09B	907B
9" Pipe Length-Galvanized	46DVA-09	907
12" Pipe Length-Black	46DVA-12B	906B
12" Pipe Length-Galvanized	46DVA-12	906
16" Black Extension (3"-14.5")	46DVA-16AB	-
16" Galvanized Extension (3"-14.5")	46DVA-16A	-
24" Pipe Length-Black	46DVA-24B	904B
24" Pipe Length-Galvanized	46DVA-24	904
36" Pipe Length-Black	46DVA-36B	903B
36" Pipe Length-Galvanized	46DVA-36	903
48" Pipe Length-Black	46DVA-48B	902B
48" Pipe Length-Galvanized	46DVA-48	902
11"- 14 5/8" Adjustable Pipe Length-Black	-	911B
17"- 24" Adjustable Pipe Length-Black	-	917B
45° Elbow-Black	46DVA-E45B	945B, 945BG
45° Elbow-Galvanized	46DVA-E45	945, 945G
90° Elbow-Galvanized	46DVA-E90	990, 990G
90° Elbow-Black	46DVA-E90B	990B, 990BG
Vertical High Wind Termination Cap (must be used for all vertical terminations)	46 DVA-VCH	991
Horizontal. Square Termination Cap	-	984
Wall Thimble Cover—Support Box	46DVA-DC	940
Cathedral Ceiling Support Box	46DVA-CS	941
Brass Trim fro Ceiling Support Box	-	3951
Firestop Spacer	46DVA-FS	963
Flashing 0/12-6/12	46DVA-F6	943
Flashing 7/12-12/12	46DVA-F12	943S
Storm Collar	46DVA-SC	953
Vinyl Siding Standoff	46DVA-VSS	950
Wall Strap	46DVA-WS	988
Wall Pen Heat Shield (Wall Thimble)	46DVA-WT	942

BDM PARTS LIST		
PART	DESCRIPTION	
4" x 6 5/8" DIRECT VENT PIPE:		
DVR6-06	6 5/8 /4 X 6" PRO FORM DV RIGID PIPE	
DVR6-06B	6 5/8 /4 X 6" PRO FORM DV RIGID PIPE BLACK	
DVR6-09	6 5/8 /4 X 9" PRO FORM DV PIPE	
DVR6-09B	6 5/8 /4 X 9" PRO FORM DV PIPE BLACK	
DVR6-12	6 5/8 /4 X 12" PRO FORM DV PIPE	
DVR6-12B	6 5/8 /4 X 12" PRO FORM DV PIPE BLACK	
DVR6-18	6 5/8 /4 X 18" PRO FORM DV PIPE	
DVR6-18B	6 5/8 /4 X 18" PRO FORM DV PIPE BLACK	
DVR6-24	6 5/8 /4 X 24" PRO FORM DV PIPE	
DVR6-24B	6 5/8 /4 X 24" PRO FORM DV PIPE BLACK	
DVR6-36	6 5/8 /4 X 36" PRO FORM DV PIPE	
DVR6-36B	6 5/8 /4 X 36" PRO FORM DV PIPE BLACK	
DVR6-48	6 5/8 /4 X 48" PRO FORM DV PIPE	
DVR6-48B	6 5/8 /4 X 48" PRO FORM DV PIPE BLACK	
4" x 6 5/8" ADJUSTABLE PIPE EXTENSION:		
DVR6-08A	6 5/8 /4 X 8.5" ADJUSTABLE PRO FORM DV PIPE	
DVR6-08AB	6 5/8 /4 X 8.5" ADJUSTABLE PRO FORM DV PIPE BLACK	
DVR6-16A	6 5/8 /4 X 16" ADJUSTABLE PRO FORM DV PIPE	
DVR6-16AB	6 5/8 /4 X 16" ADJUSTABLE PRO FORM DV PIPE BLACK	
DIRECT VENT ELBOWS:		
DVR6-E30	6 5/8 /4 30 DEGREE PRO FORM DV ELBOW	
DVR6-E30B	6 5/8 /4 30 DEGREE PRO FORM DV ELBOW BLACK	
DVR6-E45	6 5/8 /4 45 DEGREE PRO FORM DV ELBOW	
DVR6-E45B	6 5/8 /4 45 DEGREE PRO FORM DV ELBOW BLACK	
DVR6-E60	6 5/8 /4 60 DEGREE PRO FORM DV ELBOW	
DVR6-E60B	6 5/8 /4 60 DEGREE PRO FORM DV ELBOW BLACK	
DVR6-E90	6 5/8 /4 90 DEGREE PRO FORM DV ELBOW	
DVR6-E90B	6 5/8 /4 90 DEGREE PRO FORM DV ELBOW BLACK	
ELBOW AND WALL STRAPS:		
DVR6-ES	6 5/8 /4 PRO FORM ELBOW STRAP	
DVR6-WS	6 5/8 /4 PRO FORM WALL STRAP BLACK	
TYPE	PART	DESCRIPTION
WALL THIMBLES:		
Telescoping	DVR6-WT	6 5/8 /4 DV ONE PLATE TELESCOPING WALL THIMBLE 1" CLEARANCE
Universal	DVR6-WTU	6 5/8 /4 DV UNIVERSAL WALL THIMBLE
TERMINATION CAPS:		
Horizontal Co-Axial	DVR6-HC	6 5/8 /4 HCA PRO FORM TERM CAP
Horizontal Wind/Heat Shroud:	940164SHRD	6 5/8 /4 WIND/HEAT SHROUD

BDM PARTS LIST cont.		
TYPE	PART	DESCRIPTION
<b>OTHER COMPONENTS</b>		
Vertical Round Co-Axial Caps	DVR6-VCH	6 5/8 /4 PRO FORM ROUND HIGH-WIND CAP
Ceiling Firestop	DVR6-CFS	6 5/8/4 DV CEILING FIRESTOP
Attic Insulation Shield	DVR6-AIS	6 5/8 /4 X 12" DV ATTIC INSULATION SHIELD
Cathedral Ceiling Support Kit	DVR6-CS	6 5/8" CATHEDRAL CEILING SUPPORT KIT BLACK
Decorator Collar	DVR6-DC	6 5/8" INSIDE DECORATOR CLR BLACK
Flat Ceiling Decorator Collar	DVR6-FCDC	6 5/8" FLAT CEILING DECORATOR CLR BLACK
SS Counter Flashing 4 Pc. Kit	DVR6-CFK-SS	6 5/8' X 2" HI SS COUNTER FLASHING 4 PC KIT
SS Vinyl Siding Standoff	DVR6-VSS	6 5/8" SS VINYL SIDING STANDOFF
Roof Support	DVR6-RS	6 5/8 /4" ROOF SUPPORT
Adjustable Storm Collar	DVR68-SC	6 5/8 -8" ADJUSTABLE STORM COLLAR
Touch Up Paint	DVR-PAINT	DIRECT VENT TOUCH UP PAINT
<b>ADJUSTABLE ROOF FLASHING:</b>		
7/12 to 12/12	DVR6-AF712	6 5/8 /4 ADJUSTABLE ROOF FLASHING
0/12 to 6/12	DVR6-AF012	6 5/8 /4 ADJUSTABLE ROOF FLASHING
Flat Roof Flashing	DVR6-TCF	6 5/8 /4 FLAT ROOF FLASHING



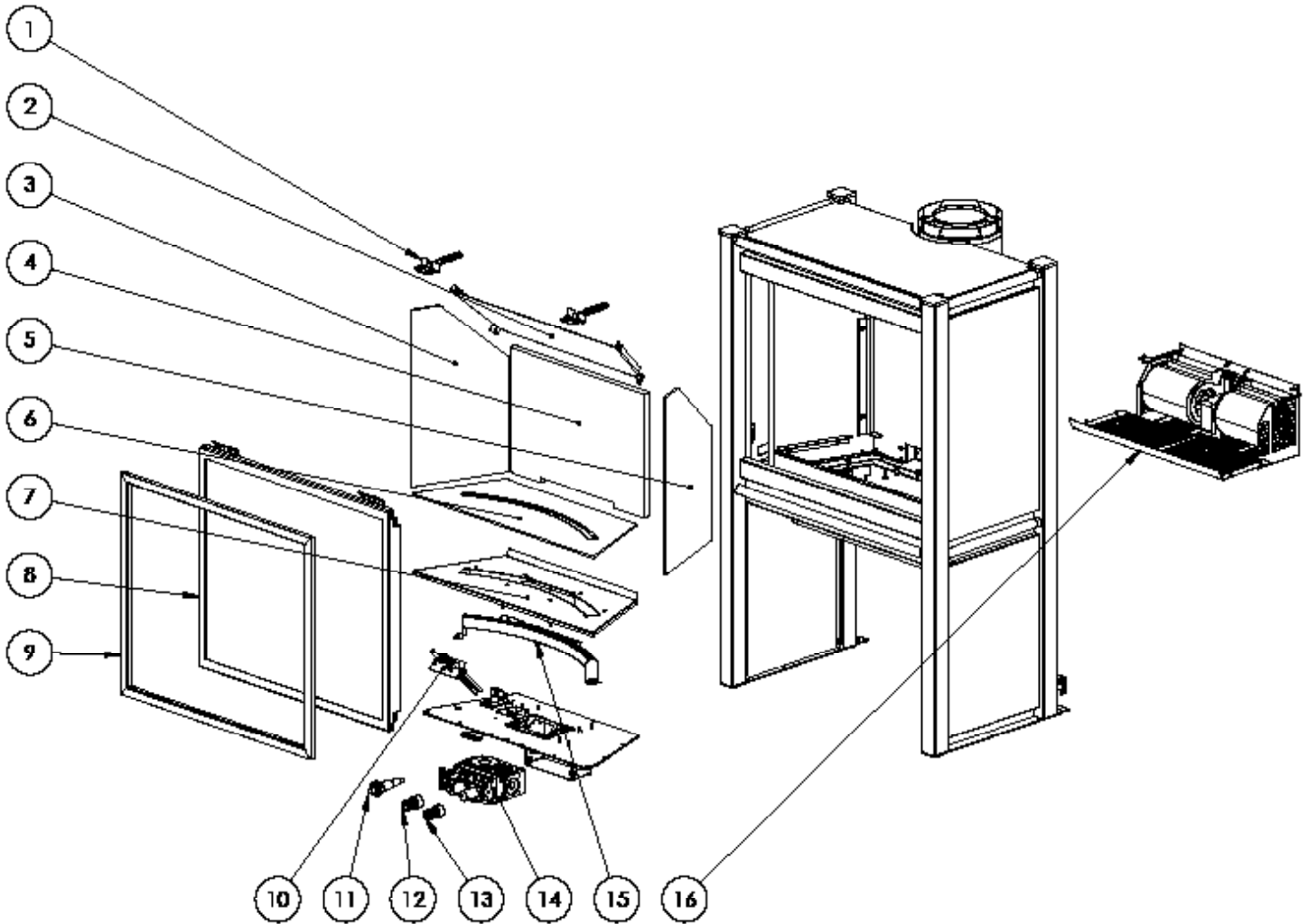
# VENTING COMPONENTS

OLYMPIA PARTS LIST			
PART	DESCRIPTION	PART	DESCRIPTION
VDV-0406	4" x 6" L Direct Vent Pipe	VDVB-0424	4"x24"L Direct Vent Black Pipe
VDV-0406-6	4" x 6" DV Pipe 6 Pack	VDVB-0436	4"x36"L Direct Vent Black Pipe
VDV-0406SL	4" x 6" Direct Vent Slip Sec.	VDVB-0448	4"x48"L Direct Vent Black Pipe
VDV-0409	4" x 9" L Direct Vent Pipe	VDVB-04LT	4" Large Telescoping Section
VDV-0409SL	4" x 9" Direct Vent Slip Sec.	VDVB-04MT	4" Medium Telescoping Section
VDV-0412	4" x 12" L Direct Vent Pipe	VDVB-04ST	4" Small Telescoping Section
VDV-0416SL	4" x 16" Direct Vent Slip Sec	VDVB-EL0445	4" x 45" Deg Direct Vent Elbow
VDV-0418	4" x 18" L Direct Vent Pipe	VDVB-EL0490	4" x 90" Deg Direct Vent Elbow
VDV-0424	4" x 24" L Direct Vent Pipe	VDVB-UAA04	4" Universal Appliance Adapter
VDV-0436	4" x 36" L Direct Vent Pipe		
VDV-0448	4" x 48" L Direct Vent Pipe		
VDV-04LT	4" Large Telescoping Section		
VDV-04MT	4" Medium Telescoping Section		
VDV-04ST	4" Small Telescoping Section		
VDV-AIS04	4" Attic Insulation Shield		
VDV-CRS04	4" Round Support Box		
VDV-CSS04	4" Square Support Box		
VDV-EL0445	4" x 45" Deg Direct Vent Elbow		
VDV-EL0445-6	4" x 45" Deg DV Elbow 6 Pack		
VDV-EL0490	4" x 90" Deg Direct Vent Elbow		
VDV-EL0490-6	4" x 90" Deg DV Elbow 6 Pack		
VDV-F0406	4" 0/12-6/12 Flashing		
VDV-F0412	4" 7/12-12/12 Flashing		
VDV-F04F	4" Flat Flashing		
VDV-FS04	4" Fire Stop Shield		
VDV-HC04	4" Direct Vent Horizontal Cap		
VDV-KW04	4" Direct Vent WPT Kit		
VDV-SC04	4" Storm Collar		
VDV-SSO	Siding Stand-Off		
VDV-SSO4	4" Siding Stand-Off		
VDV-VC04	4" Direct Vent Vertical Cap		
VDV-VCH04	4" High Wind Vertical Cap		
VDV-WPT04	4" Direct Vent Wall Pass Thru		
VDV-WS04	4" Wall Support		
VDV-WTC04	4" DirectVent Wall Trim Collar		
VDVB-0406	4" x6"L Direct Vent Black Pipe		
VDVB-0406SL	4" x 6" Direct Vent Slip Sec.		
VDVB-0409	4" x9"L Direct Vent Black Pipe		
VDVB-0409SL	4" x 9" Direct Vent Slip Sec.		
VDVB-0412	4"x12"L Direct Vent Black Pipe		
VDVB-0416SL	4" x 16" Direct Vent Slip Sec		
VDVB-0418	4"x18"L Direct Vent Black Pipe		



ICC PARTS LIST	
<b>4" x 6 5/8" LENGTHS</b>	
DESCRIPTION	PART
6" Length - Galvalume	TC-4DL6
6" Length - Black	TC-4DL6B
9" Length - Galvalume	TC-4DL9
9" Length - Black	TC-4DL9B
12" Length - Galvalume	TC-4DL1
12" Length - Black	TC-4DL1B
12" Slip Length - Galvalume	TC-4DLS1
12" Slip Length - Black	TC-4DLS1B
24" Length - Galvalume	TC-4DL2
24" Length - Black	TC-4DL2B
24" Slip Length - Galvalume	TC-4DLS2
24" Slip Length - Black	TC-4DLS2B
18"-30" Adjustable Length (2 pieces)	TC-4DLA30
18"-30" Adjustable Length - Black (2 pieces)	TC-4DLA30B
36" Length - Galvalume	TC-4DL3
36" Length - Black	TC-4DL3B
48" Length - Galvalume	TC-4DL4
48" Length - Black	TC-4DL4B
<b>4" x 6 5/8" ELBOWS</b>	
Elbow 45° - Galvalume	TE-4DE45
Elbow 45° - Black	TE-4DE45B
Elbow 90° - Galvalume	TE-4DE90
Elbow 90° - Black	TE-4DE90B
Slip Elbow 90°	TE-4DE90S
Slip Elbow 90° - Black	TE-4DE90SB
<b>4" x 6 5/8" SUPPORTS &amp; FIRESTOPS</b>	
Square Support / Radiation Shield	TM-4SS
Round Support / Radiation Shield	TM-4RDS
Ceiling Support / Firestop	TM-4CS
Insulated Wall Thimble	TM-4WT
Wall Thimble Extension	TM-4WTE
Attic Radiation Shield / Firestop	TM-4AS
Ajustable Wall Support	TM-WS
Offset Support	TM-OS
Trim Ring - Black	TM-4TR
Trim Plate - Black	TM-4TP
O'Ring (included with Trim)	TM-4OR
<b>4" x 6 5/8" TERMINATIONS</b>	
Small Vertical Termination (must be used with TM-4SVTS)	TM-4SVT
Rain/Wind Shield for SVT & IVT (must be used with TM-4SVT)	TM-4SVTS
Horizontal Termination	TM-4HT

# PARTS LIST



ITEM NO.	PART NUMBER	DESCRIPTION	ITEM NO.	PART NUMBER	DESCRIPTION
1	Z5151	WINDOW LATCH ASSEMBLY	10	610-0712	PILOT ASM ADJ NG/LPG PSE
2	5103	FIREBOX BAFFLE	11	600-SIT-011	PIEZO IGNITER
3	130-0501-L	GLASS CERAM MIRROR LEFT	12	600-SIT-013	EXTENSION KNOB HI/LO 1.5"
4	620-5101	CERAMIC PANEL REAR CLARITY	13	600-SIT-012	EXTENSION KNOB ON/OFF 1.5"
5	130-0501-R	GLASS CERAM MIRROR RIGHT	14	600-821-644	VALVE M/V NOVA NG W/ 7 DAY S/O
6	130-0601	BLACK FLOOR GLASS	15	640-5101	BURNER ASSEMBLY
7	Z5104	FLOOR PLATE RIVET ASSEMBLY	16	S.Z5177.SP	OPTIONAL CLARITY FS SP FAN KIT
8	S.Z5175	GLASS DOOR ASSEMBLY			
9	645-1821	SAFETY SCREEN 21" X 18.5"			

Please ensure instructions were followed exactly before attempting to trouble shoot the appliance. Troubleshooting and servicing of the gas and electrical components of the appliance should be conducted by a qualified service person.

PROBLEM	POSSIBLE CAUSE	ACTION
The main burner does not ignite when called for.	The gas valve may not be on.	<ul style="list-style-type: none"> <li>Check that the gas control knob is in the "ON" position.</li> </ul>
	Problem with gas valve.	<ul style="list-style-type: none"> <li>Use a DC voltmeter to measure the voltage across the TPTH and TP terminals. Main operator voltage: Open circuit <math>\geq 325\text{mV}</math> Closed circuit <math>\geq 100\text{mV}</math></li> <li>If voltage is not present, check the control circuit for proper operation.</li> <li>If proper control system voltage is present, replace the gas control.</li> </ul>
Spark will not light the pilot after repeatedly pressing the spark ignitor.	Defective piezo ignitor.	<ul style="list-style-type: none"> <li>Check connections to ignitor.</li> <li>If ignitor connections are good but no spark, replace ignitor.</li> </ul>
	Broken spark electrode.	<ul style="list-style-type: none"> <li>Check for broken ceramic insulation, replace electrode if broken.</li> </ul>
	Misaligned spark electrode.	<ul style="list-style-type: none"> <li>If spark is not arcing from electrode to pilot, loosen the screws on the pilot base adjust and tighten.</li> </ul>
Pilot will not remain lit.	Unit inactive for 7 days.	<ul style="list-style-type: none"> <li>Relight pilot</li> </ul>
	Problem with thermocouple circuit.	<ul style="list-style-type: none"> <li>Check for proper connection of the thermocouple to the rear of the valve. If loose, fully tighten.</li> <li>Check pilot for full flame impingement around thermocouple. If flame is too small, check gas pressure, adjust pilot rate screw, check pilot head for damage.</li> <li>Check thermocouple voltage at valve. It must be greater than 5 mV. If low, replace thermocouple.</li> </ul>
	Air in gas line (pilot dies while knob is depressed).	<ul style="list-style-type: none"> <li>Bleed line.</li> <li>Check gas line pressure.</li> <li>Contact dealer</li> </ul>
Burners will not remain lit.	Problem with thermopile circuit.	<ul style="list-style-type: none"> <li>Check gas line pressure.</li> <li>Check for flame impingement on thermopile. If low, see "Pilot will not remain lit".</li> <li>Check thermopile for minimum of 300 mV when burner is switched on.</li> <li>Check wiring to thermostat for breaks.</li> </ul>
Flame lifting	Leak in vent pipe	<ul style="list-style-type: none"> <li>Check for leaks in vent connections.</li> </ul>
	Improper vent configuration	<ul style="list-style-type: none"> <li>Check vent configuration with manual.</li> </ul>
	Terminal may be recirculating flue gases	<ul style="list-style-type: none"> <li>Check to see if terminal is on correctly.</li> <li>May need to install high wind termination cap.</li> <li>Contact dealer.</li> </ul>
Glass fogs up	Normal Condition: after the appliance warms up the glass will clear. **Due to additives in gas, glass may get hazy during operation** Clean as needed.	
Blue Flames	Normal during start up: flames will yellow as the fireplace heats up.	
Flames are burning "dirty" or sooting	Flame impingement	<ul style="list-style-type: none"> <li>Check log positioning.</li> <li>Increase primary air by opening the venturi shutter and/or by opening the vent restrictor. See also "Burners will not remain lit."</li> </ul>

# WARRANTY

## ***BLAZE KING GAS LIMITED WARRANTY***

Blaze King and Valley Comfort's respective brands extend the following warranty for gas appliances purchased from an authorized Blaze King / Valley Comfort dealer and installed in the United States of America or Canada. Warranty starts with date of purchase by the original owner (End User) except as noted for replacement parts.

Warranty Period		Components Covered	
Parts	Labor	Gas	
1 Year		X	All parts, materials and surface finishes (flaking and peeling). Except as covered by Conditions Exclusion, and Limitations listed.
2 Years Parts 1 Year Labor		X	Igniters, thermocouple, thermopile molded refractory panels, log sets, interior glass panels, fan assembly, ignition components, gas valve, burner components, thermostat.
5 Years	2 Years	X	Firebox & Heat Exchanger
10 Years	2 Years	X	All exterior steel cabinets (excluding paint finishes) Door glass (thermal breakage only)
1 Year		X	Other Replacement Parts
See Conditions, Exclusions, and Limitations			

**Blaze King Gas Limited 10 Year Warranty**

Blaze King is the manufacturer of the Blaze King line of heating products. At Blaze King, our commitment to the highest level of quality and customer service is the most important thing we do. Each Blaze King stove is built on a tradition of using only the finest materials and is backed by our limited lifetime warranty to the original purchaser. With Blaze King, you're not just buying a fireplace or stove, you're buying a company with years of unequalled performance and quality.

**Limited 10 Year Warranty:**

Under this warranty, Blaze King covers the fireplace or stove, exterior body, pedestals, legs and glass (thermal breakage only) against defects in materials and workmanship, for part repair or replacement for (10) years from original purchase date and limited labor for the first two (2) years to the original purchaser. This warranty does not cover exterior finishes. Please see the exclusions and limitation section below as certain restrictions and exclusions apply to this warranty.

**Limited 5 Year Warranty:**

Under this warranty, Blaze King covers the fireplace or stove firebox and heat exchanger against defects in materials and workmanship, for part repair or replacement for the first five (5) years and limited labor for the first two (2) years to the original purchaser. This Warranty covers: Heat Exchanger, Steel Firebox Panels and any steel components not covered under the ten (10) year Warranty excluding burner components and gas components. Please see the exclusions and limitation section below as certain restrictions and exclusions apply to this warranty.

**Limited Two (2) Year Warranty:**

Under this warranty, Blaze King covers: Gas Assembly, Burner components (ceramic and steel), Log sets, Blower and control, Temperature Sensors, thermocouple, thermopile, electronic ignition components and wire harness against defects in materials and workmanship, for part repair or replacement for the first two (2) years and limited labor for the first (1) year to the original purchaser. Please see the exclusions and limitation section below as certain restrictions and exclusions apply to this warranty.

**Limited One (1) Year Warranty:**

Under this warranty, Blaze King covers all exterior surface finishes against defects in materials and workmanship, for part repair or replacement and limited labor for the first (1) year to the original purchaser. Please see the exclusions and limitations section below as certain restrictions and exclusions apply to this warranty.

**How the Warranty Works (Includes Conditions, Exclusions and Limitations)**

1. All warranties by the manufacturer are set herein and no claim shall be made against the manufacturer on any oral warranty or representation. All claims under this Limited Warranty must be made in writing by your dealer.
2. Any stove or part thereof that is repaired or replaced during the Limited Warranty period will be warranted under the terms of the Limited Warranty for a period not exceeding the remaining term of the original Limited Warranty or six (6) months, whichever is longer.
3. For any part or parts of this stove, which in our judgment show evidence of defects, Blaze King reserves the option to repair or to replace the defective product through an accredited distributor or agent, provided the defective part is returned to the distributor or agent, transportation prepaid, if requested.
4. If you discover a problem that you think may be covered by the Limited Warranty, you **MUST REPORT** it to your Blaze King dealer **WITHIN 30 DAYS** from the date the problem was first detected, giving them proof of purchase and the date of purchase. The dealer will investigate the problem and work with Blaze King to determine whether the problem:
  - a) Is covered by the Limited Warranty or
  - b) Can be fixed in your home or does the product need to be returned to Blaze King for repair.
5. If Blaze King determines that the stove needs to be returned to Blaze King for repair, the customer has the responsibility and the expense of removing it from their home and shipping it to Blaze King. If the problem is covered by the Warranty, Blaze King will repair or replace the item at their discretion and the customer will be responsible for return shipping and re-installation in their home.
6. If the problem is not covered by the Limited Warranty, the customer will be responsible for all repair costs, as well as all storage, shipping and the cost of removing and re-installing the stove.

If you are not satisfied with the service provided by the Blaze King dealer, write to Blaze King at the address listed on the last page of the Owner's Manual. Include a copy of the original purchase invoice and a description of the problem.

**Exclusions and Limitations:**

1. This Warranty does not cover tarnish, discoloration or wear on the plated surfaces. Painted finishes will change colour after initial firing and will continue to change through the lifetime of the stove. This is normal occurrence for all high temperature coatings.
2. This Warranty excludes wear and tear or breakage caused by cleaning, moving or service on log set and panels.
3. Blaze King strongly recommends that installation be done by a certified installer. Failure to comply may adversely affect coverage under this warranty. This Limited Warranty covers defects in materials and workmanship only if the product has been installed in accordance with local building and fire codes; in their absence, refer to the owner's manual. If the product is damaged or broken as a result of any alteration, wilful abuse, mishandling, accident, neglect, or misuse of the product, the Limited Warranty does not apply.
4. The stove must be operated and maintained at all times in accordance with the instructions in the Owner's Manual. If the unit shows signs of neglect or misuse, it is not covered under the terms of this Warranty policy. Performance problems due to operator error will not be covered by the Limited Warranty policy.
5. Some minor expansion, contraction, or movement of certain parts and resulting noise, is normal and not a defect and, therefore, is not covered under this Limited Warranty.
6. Misuse includes over-firing. Over-firing this appliance can cause serious damage and will nullify the Limited Warranty.
7. The Limited Warranty will cover glass thermal breakage only and will not cover misuse of the stove glass, including but not limited to glass that is struck, has surface contaminates or has had harsh or abrasive cleaners used on it.
8. This warranty does not cover products made or provided by other manufacturers and used in conjunction with the operation of this stove without prior authorization from Blaze King. The use of such products may nullify the Limited Warranty on this stove. If unsure as to the extent of this Limited Warranty, contact your authorized Blaze King dealer before installation.
9. Blaze King will not be responsible for inadequate performance caused by environmental conditions.
10. The Limited Warranty does not cover installation and operational related problems such as use of downdrafts or spillage caused by environmental conditions. Environmental conditions include but are not limited to nearby trees, buildings, roof tops, wind, hills, mountains, inadequate venting or ventilation, excessive offsets, negative air pressures or other influences caused by mechanical systems such as furnaces, fans, clothes dryers etc.
11. The Limited Warranty is void if:
  - a) The stove has been operated in atmospheres contaminated by chlorine, fluorine or other damaging chemicals.
  - b) The stove is subject to submersion in water or prolonged periods of dampness or condensation.
  - c) Any damage to the unit, combustion chamber or other components due to water, or weather damage which is the result of, but not limited to, improper chimney/venting installation.
  - d) Salt air in coastal areas or high humidity can be corrosive to the finish; these environmental can cause rusting. Damage caused by salt air or high humidity is not covered by the Limited Warranty.
12. Exclusions to the Limited Warranty include: injury, loss of use, damage, failure to function due to accident, negligence, misuse, improper installation, alteration or adjustment of the manufacturer's settings of components, lack of proper and regular maintenance, alteration, or act of God.
13. The Limited Warranty does not cover damage caused to the fireplace or stove while in transit. If this occurs, do not operate the stove and contact your courier and/or dealer.
14. Limited Warranty does not extend to or include firebox paint, door or glass gaskets with damage caused by normal wear and tear, or exterior paint discoloration or chipping, worn gaskets, etc.
15. The Limited Warranty does not include damage to the unit caused by abuse, improper installation, or modification of the unit.
16. Damage to plated surfaces caused by fingerprints, scratches, melted items, or other external scores and residues left on the plated surfaces from the use of abrasive cleaners or polishes is not covered in this warranty.
17. The paint on the brick liner may peel. It is not a flaw and is not covered under warranty, due to extreme conditions in the firebox.
18. Blaze King is free of liability for any damages caused by the fireplace or stove, as well as inconvenience expenses and materials. The Limited Warranty does not cover incidental or consequential damages.

19. The Limited Warranty does not cover any loss or damage incurred by the use or removal of any component or apparatus to or from the Blaze King fireplace or stove without the express written permission of Blaze King and bearing a Blaze King label of approval.
20. Any statement or representation of Blaze King Products and their performance contained in Blaze King advertising, packaging literature, or printed material is not part of the Limited Warranty.
21. The Limited Warranty is automatically voided if the fireplace or stove's serial number has been removed or altered in any way. If the stove is used for commercial purposes, it is excluded from the Limited Warranty.
22. No dealer, distributor, or similar person has the authority to represent or warrant Blaze King Products beyond the terms contained within the Limited Warranty. Blaze King assumes no liability for such warranties or representations.
23. Blaze King will not cover the cost of the removal or re-installation of the stove, hearth, facing, mantels, venting or other components.
24. Labor to replace or repair items under this Limited Warranty will be covered per our warranty service fee reimbursement schedule. Labor rates are set per component and as such total labor costs may not be covered.
25. If a defect or problem is determined by Blaze King to be non warrantable, Blaze King will not be liable for travel costs for service work. In the event of in-home repair work, the customer will pay any in-home travel fees or service charges required by the Authorized Dealer.
26. At no time will Blaze King be liable for any consequential damages which exceed the purchase price of the unit. Blaze King has no obligation to enhance or modify any stove once manufactured (example: as a stove model evolves, field modifications or upgrades will not be performed).
27. This Limited Warranty is applicable only to the original purchaser and it is non-transferable.
28. This warranty only covers Blaze King Products that are purchased through an authorized Blaze King dealer.
29. If for any reason any section of the Limited Warranty is declared invalid, the balance of the warranty remains in effect and all other clauses shall remain in effect.
30. The Limited Warranty is the only warranty supplied by Blaze King, the manufacturer of the stove. All other warranties, whether express or implied, are hereby expressly disclaimed and purchaser's recourse is expressly limited to the Limited Warranty.
31. Blaze King and its employees or representatives will not assume any damages, either directly or indirectly, caused by improper usage, operation, installation, servicing or maintenance of this stove.
32. Blaze King reserves the right to make changes without notice. Please complete and mail the warranty registration card and have the installer fill in the installation data sheet in the back of the manual for warranty and future reference.
33. Blaze King is responsible for stocking parts for a maximum of seven (7) years after discontinuing the manufacture or incorporation of the item into its products. An exception to this would be if an OEM supplier is not able to supply a part.



