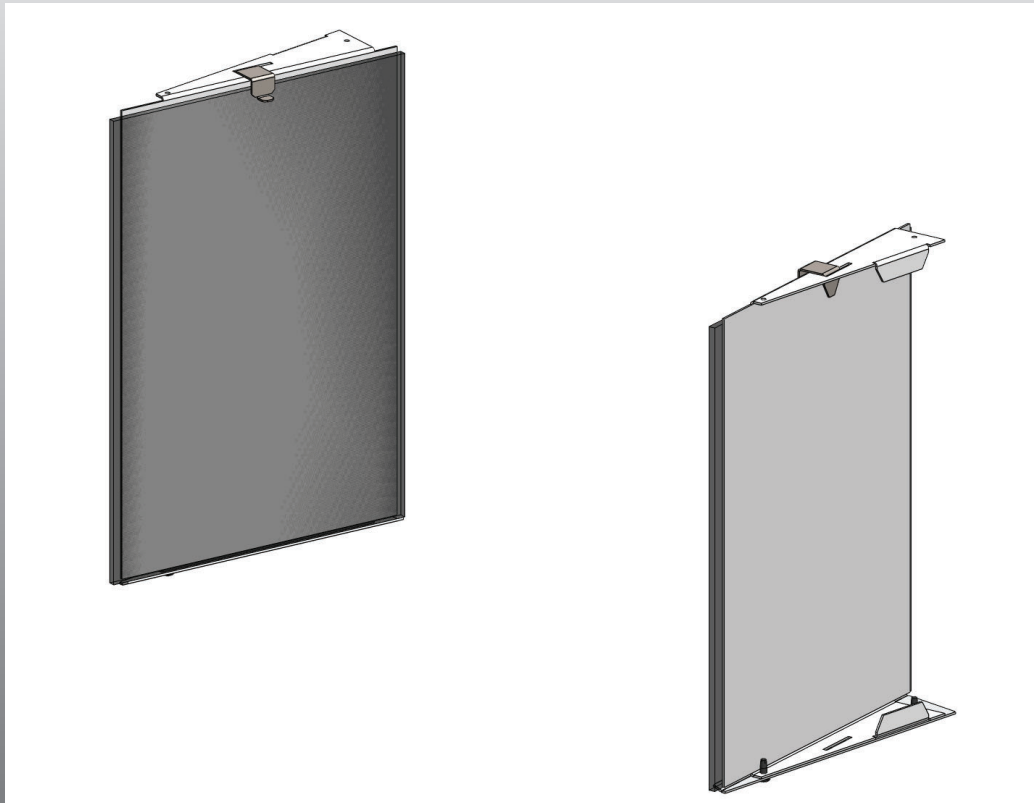


Blaze King

S.Z0503 Side Glass Kit



WARNING

ONLY THE GLASS SUPPLIED BY THE MANUFACTURER MAY BE USED WITH THIS APPLIANCE. THE GLASS MUST BE INSTALLED AS DESCRIBED IN THIS MANUAL. IF GLASS IS BROKEN, SEE DEALER FOR OEM REPLACEMENT.



CALIFORNIA PROPOSITION 65

WARNING: This product can expose you to chemicals including benzene, which is known to the State of California to cause cancer and birth defects or other reproductive harm. For more information:
www.P65Warnings.ca.gov

Manufactured By

Valley Comfort Systems Inc., 1290 Commercial Way, Penticton, BC, V2A 3H5, Canada
Phone: 250-493-7444 ♦ Fax: 250-493-5833 ♦ www.blazeking.com ♦ info@blazeking.com

Pour la version française de nos manuels . vous référez à notre site web: www.blazeking.com

S.Z0503 SIDE GLASS KIT

SIDE GLASS INSTALLATION

1. **If applicable;** turn off the appliance and electrical power. Allow the appliance to cool down completely. Remove the safety screen and glass door. (See owners manual for instructions.) Remove any log pieces and set aside, note log positions, refer to log installation manual for clarification.
2. If installing rear glass or illuminated artwork then install those before side glass. Refer to their respective installation manuals.
3. Position the side glass support in the firebox. (**Fig. 1**). Hang the side glass support onto the glass support bracket. (**Fig. 2**). Repeat for other side.
4. Handle the side glass by the edges to prevent smudging, wear clean vinyl gloves if possible. Seat the side glass on the side glass support, the back edge should make contact with the rear glass. (**Fig. 3**)
NOTE: THE SIDE WITH THE LABEL SHOULD FACE OUT, REMOVE THE LABEL BEFORE FIRING.
5. Insert the side glass clips to hold the side glass in place. (**Fig. 4**)

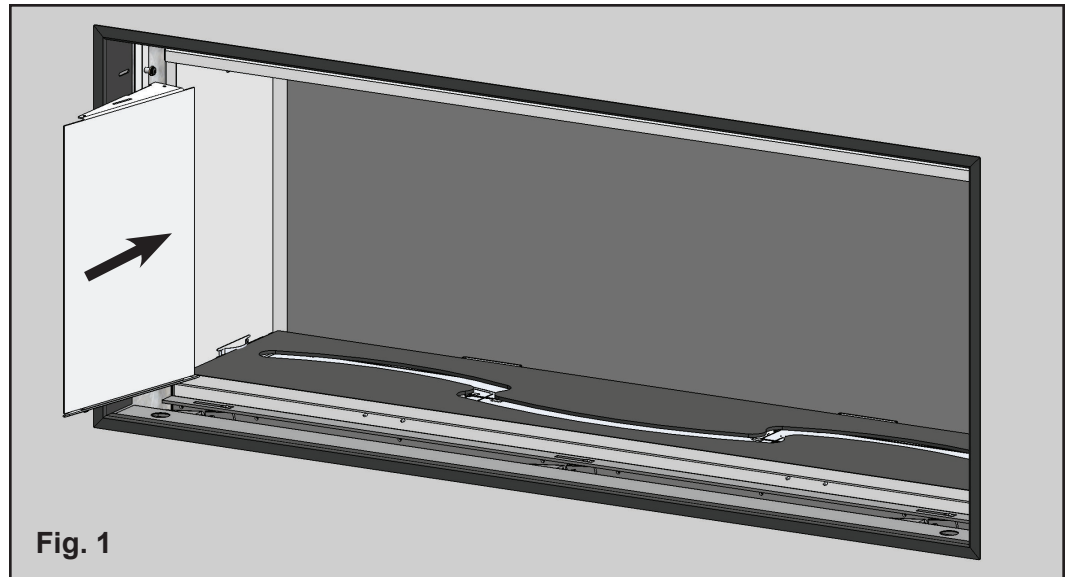


Fig. 1

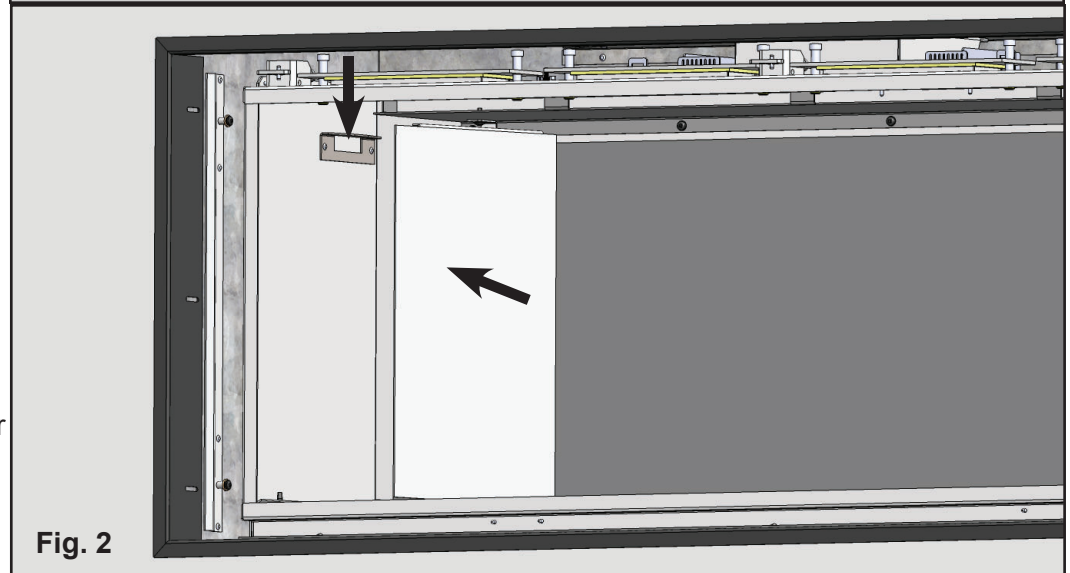


Fig. 2

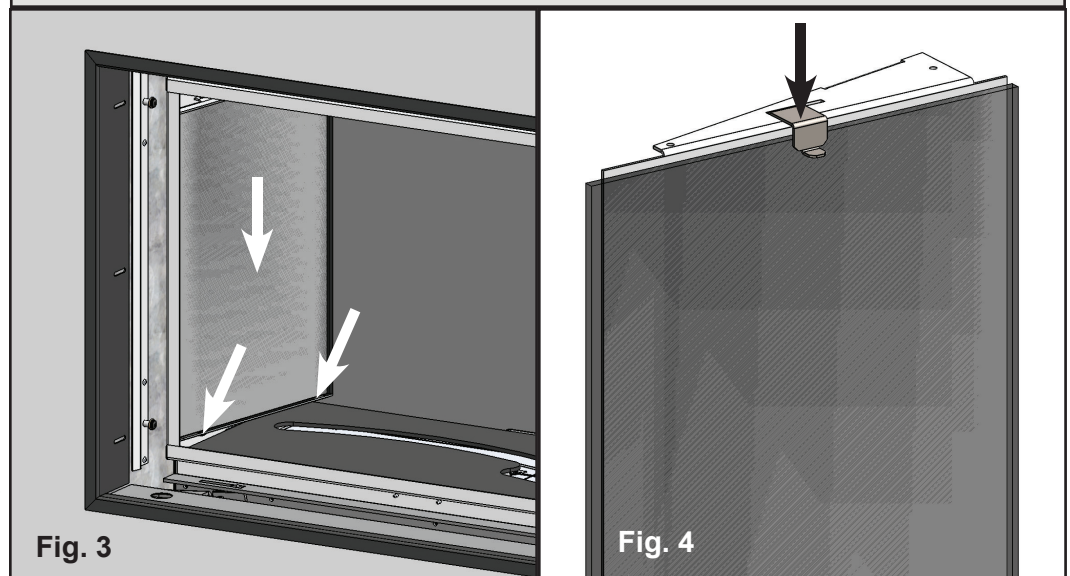


Fig. 3

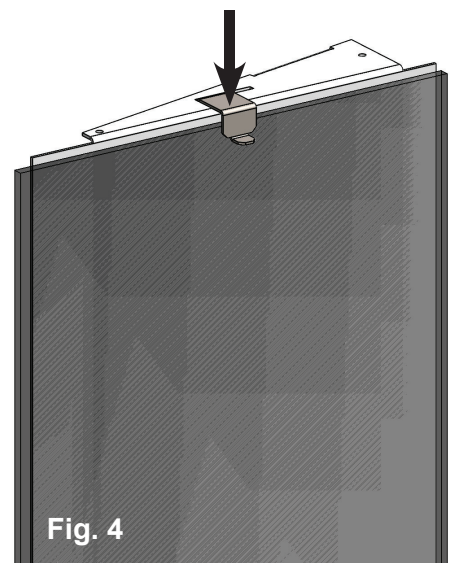


Fig. 4