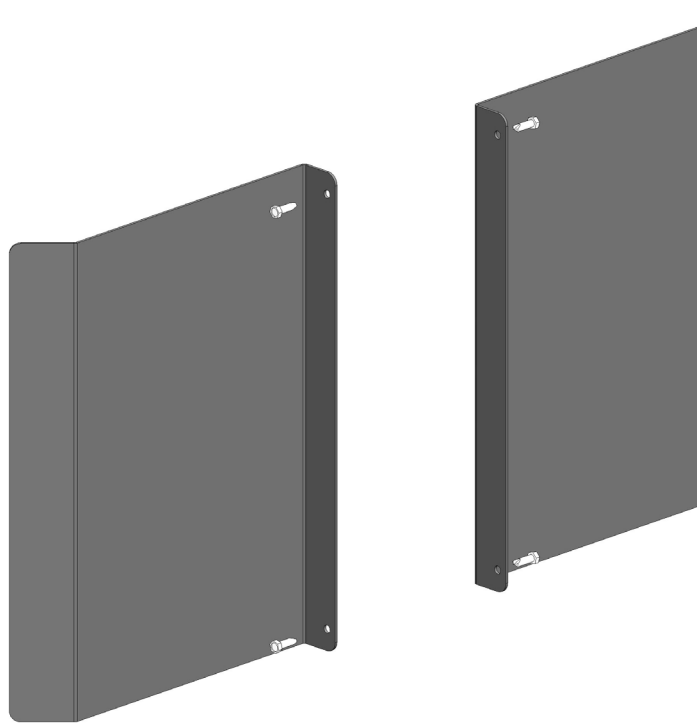




## Z4015 OPTIONAL REAR SHIELD

for PE1006, PE32, CK/SC 20.1/20.2, CK/SC30.1/30.2



### CALIFORNIA PROPOSITION 65

**WARNING:** This product can expose you to chemicals including benzene, which is known to the State of California to cause cancer and birth defects or other reproductive harm. For more information:

[www.P65Warnings.ca.gov](http://www.P65Warnings.ca.gov)

### Manufactured By

#### Valley Comfort Systems Inc.

1290 Commercial Way  
Penticton, BC V2A 3H5  
CANADA

Phone: 250-493-7444

Fax: 250-493-5833

#### Blaze King Industries

146 A Street  
Walla Walla, WA 99362  
U.S.A.

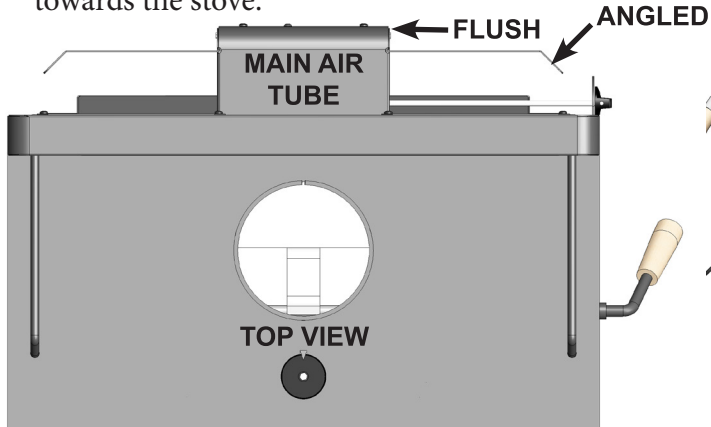
Phone: (509) 522-2730

Fax: (509) 522-9803

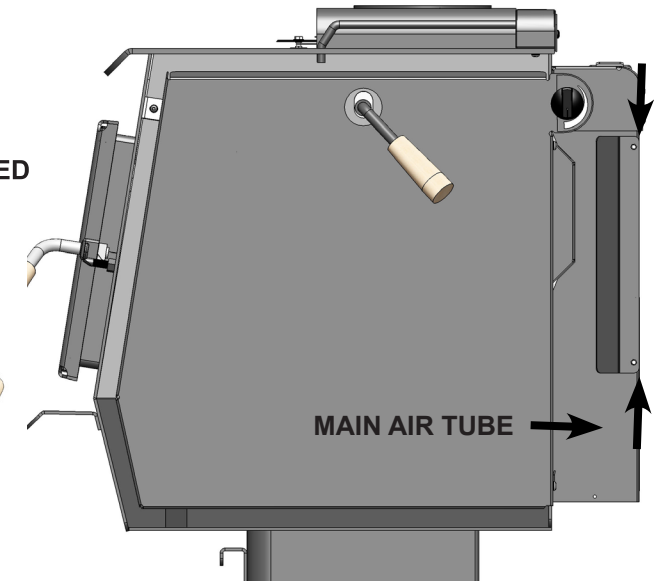
## Z4015 REAR SHIELD

### Rear shield installation

1. The rear shields should be installed with the screw flange flush with the back of the main air tube, and the outside flanges angled inward, towards the stove.



2. Position the rear shields so that the top edge is approximately 1/4" down from the bottom edge of the main air tube lid.



3. Screw the rear shields to the stove using a 1/4" hex driver and the supplied #8 x 1/2" tek screws,. The screws are self drilling, but the main tube may be pre-drilled using a 9/64" drill to make installation easier.

