

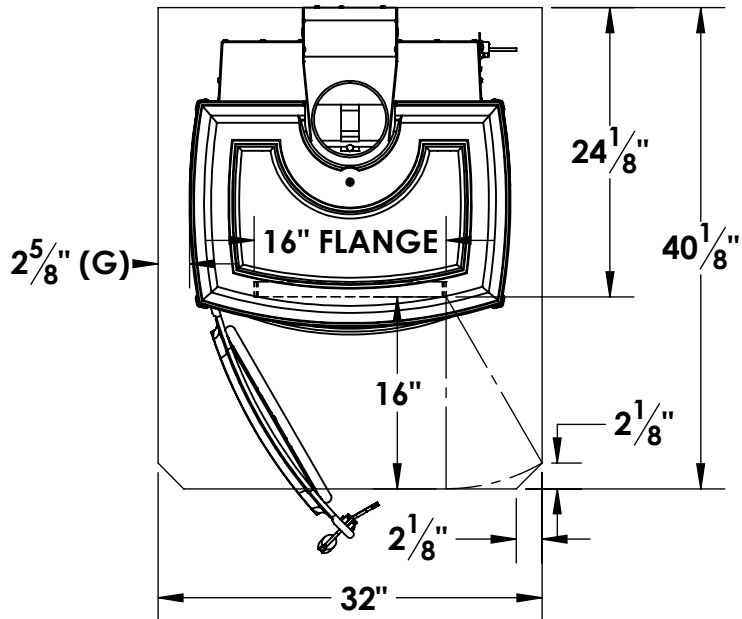
AF20 HEARTH PAD SPECS

CANADIAN HEARTH PAD

- *18" FROM FRONT FLANGE TO PAD FRONT
- *8" FROM UNIT SIDES TO PAD SIDES
- *8" FROM UNIT BACK TO PAD BACK

$$8 + 26\frac{3}{4} \text{ (width)} + 8 = 42\frac{3}{4} \text{ WIDE}$$

$$18 + 24\frac{1}{8} + 8 = 50\frac{1}{8} \text{ DEEP}$$



USA HEARTH PAD

- *16" FROM FRONT FLANGE TO PAD FRONT
- *8" FRONT FLANGE SIDES TO PAD SIDES
- *0" REAR CLEARANCE

$$8 + 16 \text{ (flange)} + 8 = 32 \text{ WIDE}$$

$$16 + 24\frac{1}{8} + 0 = 40\frac{1}{8} \text{ DEEP}$$

$$G = 8 - 5\frac{3}{8} = 2\frac{5}{8}$$