

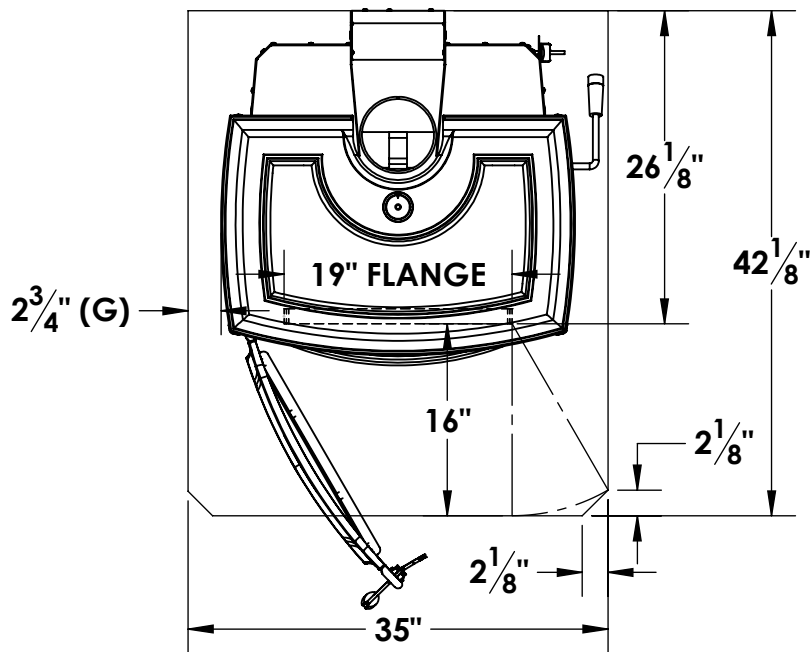
AF30 HEARTH PAD SPECS

CANADIAN HEARTH PAD

- *18" FROM FRONT FLANGE TO PAD FRONT
- *8" FROM UNIT SIDES TO PAD SIDES
- *8" FROM UNIT BACK TO PAD BACK

8+29 1/2 (width)+8 = 45 1/2" WIDE

18+26 1/8+8 = 52 1/8" DEEP



USA HEARTH PAD

- *16" FROM FRONT FLANGE TO PAD FRONT
- *8" FRONT FLANGE SIDES TO PAD SIDES
- *0" REAR CLEARANCE

8+19 (flange)+8 = 35" WIDE

16+26 1/8+0 = 42 1/8" DEEP

G = 8-5 1/4 = 2 3/4"