

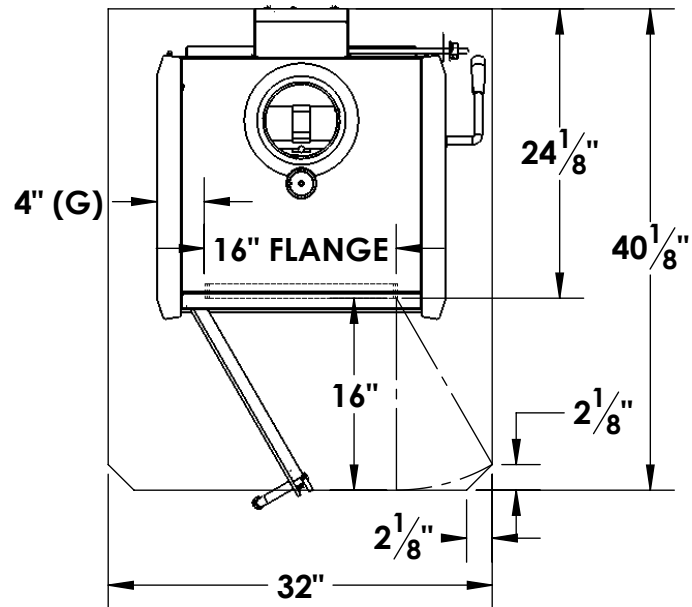
CK20 HEARTH PAD SPECS

CANADIAN HEARTH PAD

- *18" FROM FRONT FLANGE TO PAD FRONT
- *8" FROM UNIT SIDES TO PAD SIDES
- *8" FROM UNIT BACK TO PAD BACK

8+24+8 = 40" WIDE

18+24 1/8+8 = 50 1/8" DEEP



USA HEARTH PAD

- *16" FROM FRONT FLANGE TO PAD FRONT
- *8" FRONT FLANGE SIDES TO PAD SIDES
- *0" REAR CLEARANCE

8+16+8 = 32" WIDE

16+24 1/8+0 = 40 1/8" DEEP

G = 8 - 4 = 4