

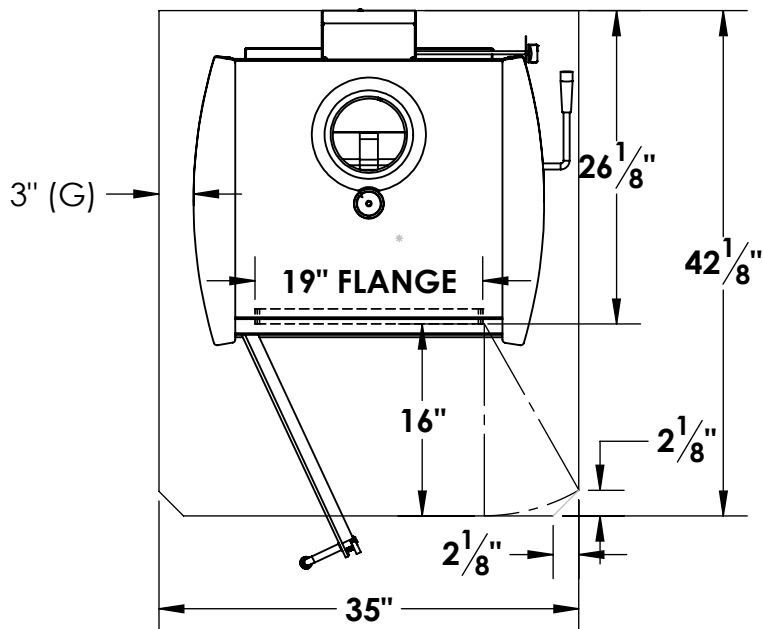
CK30 HEARTH PAD SPECS

CANADIAN HEARTH PAD

- *18" FROM FRONT FLANGE TO PAD FRONT
- *8" FROM UNIT SIDES TO PAD SIDES
- *8" FROM UNIT BACK TO PAD BACK

$18+26\frac{1}{8}+8 = 52\frac{1}{8}"$ DEEP

$8+29\frac{1}{4}+8 = 45\frac{1}{4}"$ WIDE



USA HEARTH PAD

- *16" FROM FRONT FLANGE TO PAD FRONT
- *8" FRONT FLANGE SIDES TO PAD SIDES
- *0" REAR CLEARANCE

$16+26\frac{1}{8}+0 = 42\frac{1}{8}"$ DEEP

$8+19+8 = 35"$ WIDE

$G = 8 - 5 = 3"$