

CL4416 Minimum Clearance to Combustibles

VENT TERMINATION LOCATION

- In heavy snowfall areas make sure vent termination is located where it will not be blocked by snowfall or snow from snow removal equipment.
- Locate vent termination away from plants, bushes, or any other object on or near the vent termination that will interfere or obstruct the air flow around it.

VENT TERMINATION FRAMING Minimum venting is shown in **Fig. 6**. The framing height from the bottom of the appliance to the center of the wall thimble is $54\frac{1}{2}$ " (1385 mm). Minimum venting must include a 12" (305 mm) vertical section, a 90 degree elbow, and a 6" horizontal section, which is then terminated horizontally.

For vertical termination please follow the vent pipe manufacturer's installation instructions for vertical vent termination framing.

A minimum of 1" (25 mm) clearance on all sides of the vertical vent pipe must be maintained.

For every 12" (305 mm) of horizontal run there must be a $\frac{1}{4}$ " (6.4 mm) of rise.

1" (25 mm) of clearance between framing and venting must be maintained at all times. 3" (76 mm) above the venting and 3" (76 mm) above an elbow.

Please refer to vent cap clearances "**VENT TERMINATION CLEARANCES**", as well as local building and firecodes.

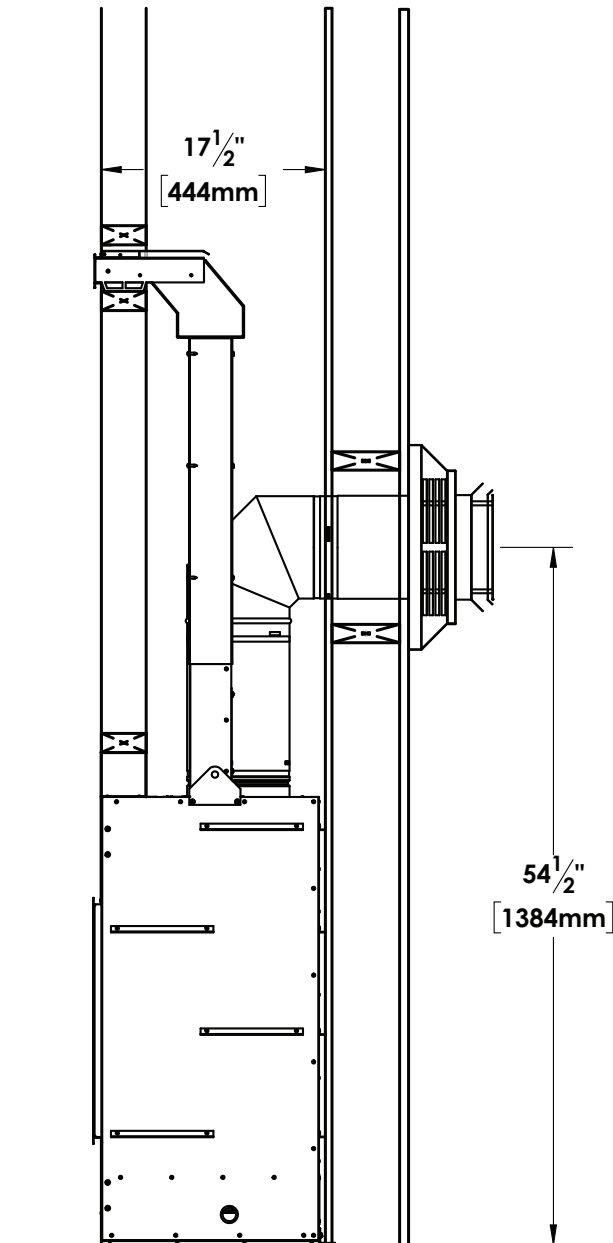


Fig. 6 Minimum Horizontal Venting

CL4416 Minimum Clearance to Combustibles

FLOOR PROTECTION

This appliance may be installed on a combustible floor. If the appliance is to be installed directly on carpeting, tile, or other combustible materials other than wood flooring, then a metal or wood panel extending the full width and depth of the appliance must be installed.

Raised installations: A solid, continuous platform must be constructed below the appliance which is at least 51 1/2" (1308 mm) wide x 17.5" (445 mm) deep.

MINIMUM MANTEL AND CEILING / ALCOVE REQUIREMENTS

If installing a mantel above the appliance then note the minimum dimensions that were determined during certification and testing. **Fig. 7** shows minimum distances from the top finishing edge flange and bottom of the appliance to a 12" max. combustible mantel. If you are installing a TV above the appliance refer to "TV INSTALLATION AND TV RECESS"

Also note minimum height from the bottom of the unit to ceiling or alcove.

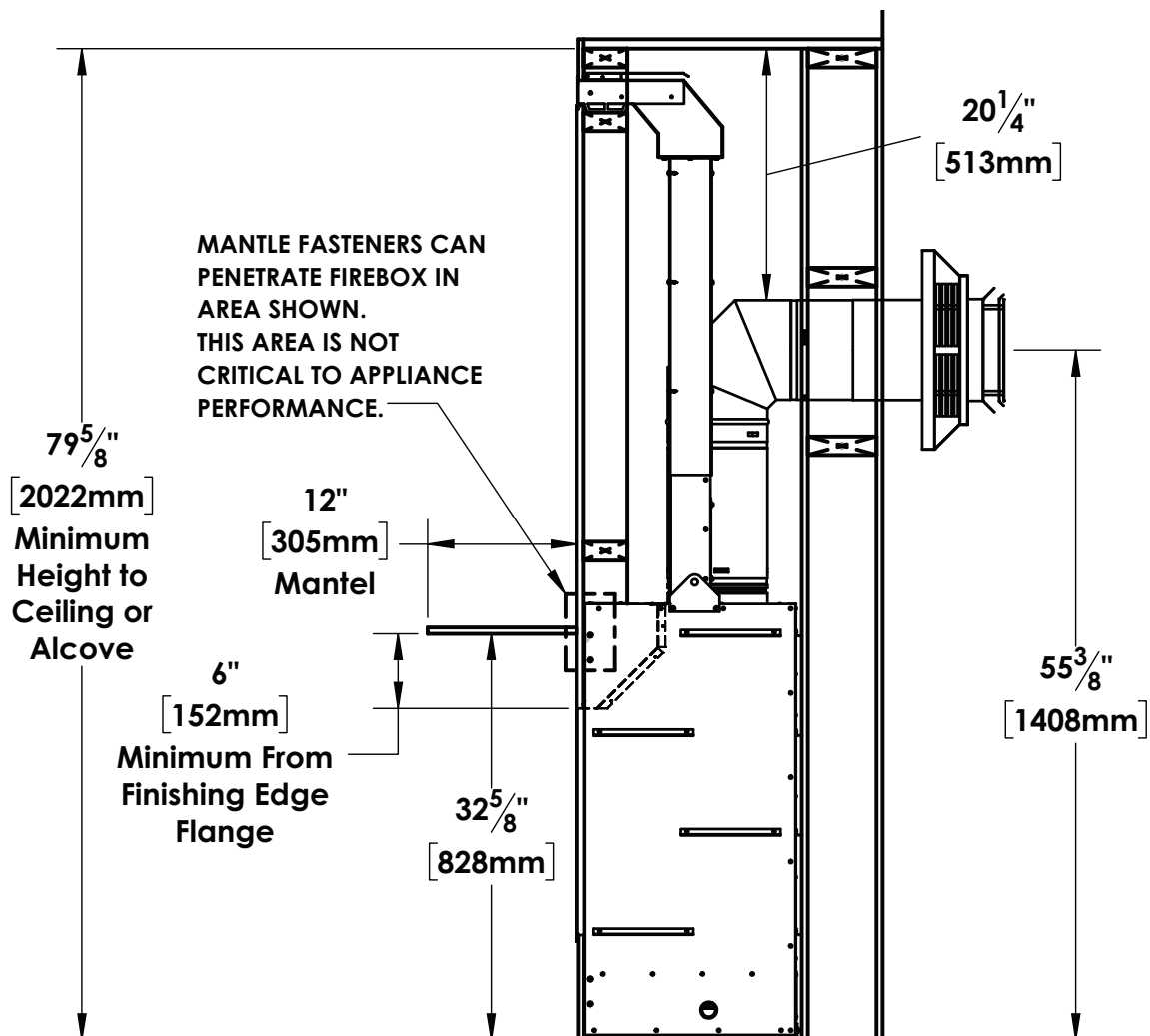


Fig. 7 Minimum Mantel and Ceiling / Alcove Heights

CL4416 Minimum Clearance to Combustibles

CORNER INSTALLATION

Shown below are the minimum clearances in **Fig. 8**. Do not interfere with the structural integrity of wall construction.

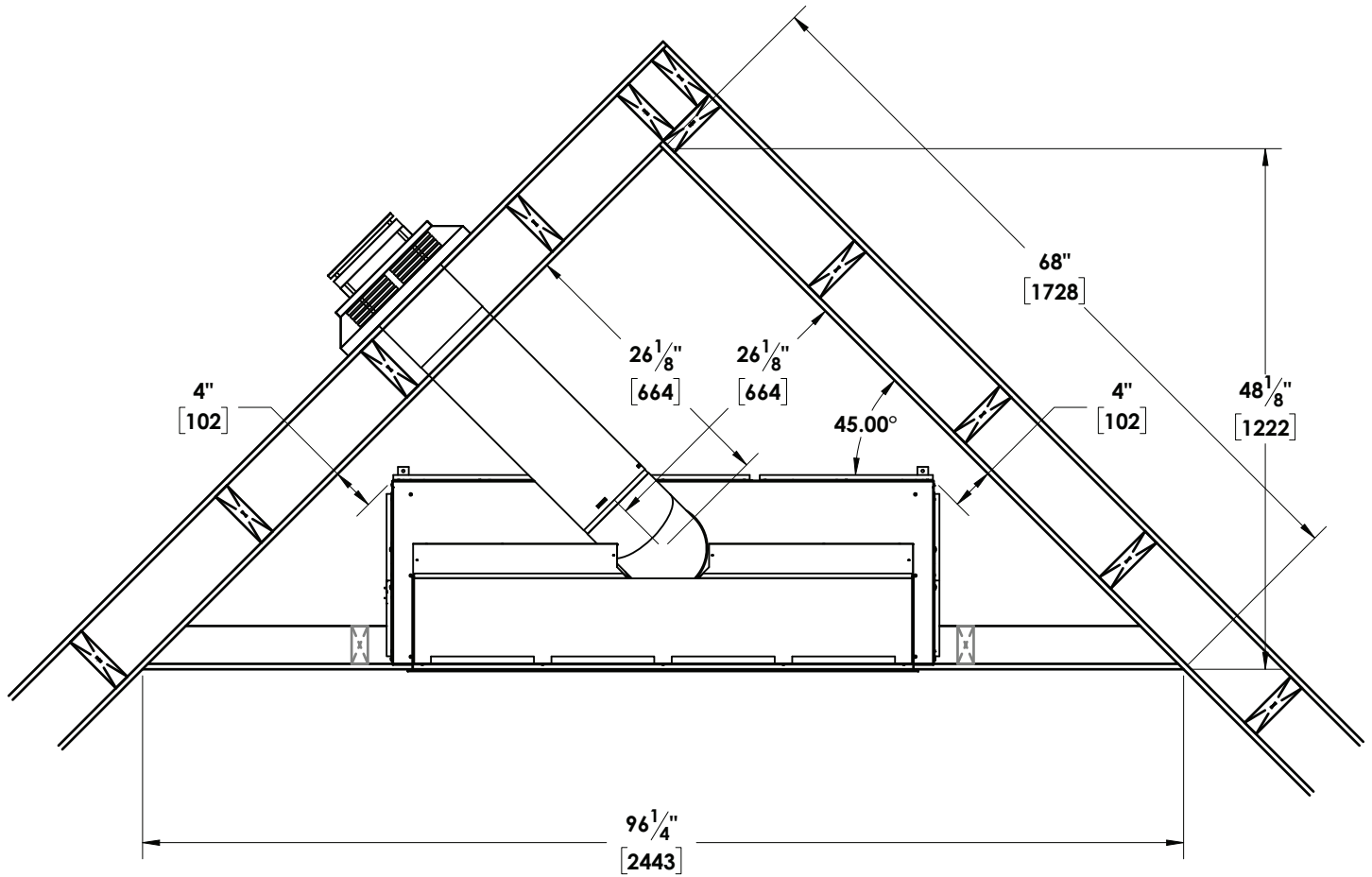


Fig. 8 Dimensions for a Corner Installation

CL4416 Minimum Clearance to Combustibles

FLEX VENTING

This appliance is certified to work with aluminum co-axial flex venting; figure out your venting configuration to determine which option is correct for your particular setup, see “**APPROVED CO-AXIAL VENT CONFIGURATIONS**”. **WARNING: Adhere to all rigid venting safety measures and clearances.**

Note: Flex venting can be used for any configuration that rigid is approved for.

Important Information:

-Do not bend horizontal vent over 90 degrees.

-All horizontal runs should have a minimum 1/4" (6.4 mm) rise per foot for optimal performance.

-Do not allow the inner flex pipe to contact the outer pipe, keep it pulled tight.

-Do not add any extensions to the preset kits, if more length is required, use rigid pipe.

-No need for liquid sealant; secure flex venting with aluminum vent tape and apply sufficient self-tapping screws.

Approved flex venting options:

5X8 Duravent 4ft length

[58DVA-48FF]:

Flexible solution to an otherwise rigid vent run (DuraVent Pro systems ONLY, order through dealer).

5X8 Duravent 10ft length

[58DVA-120FF]: Flexible solution to an otherwise rigid vent run (DuraVent Pro systems ONLY, order through dealer)

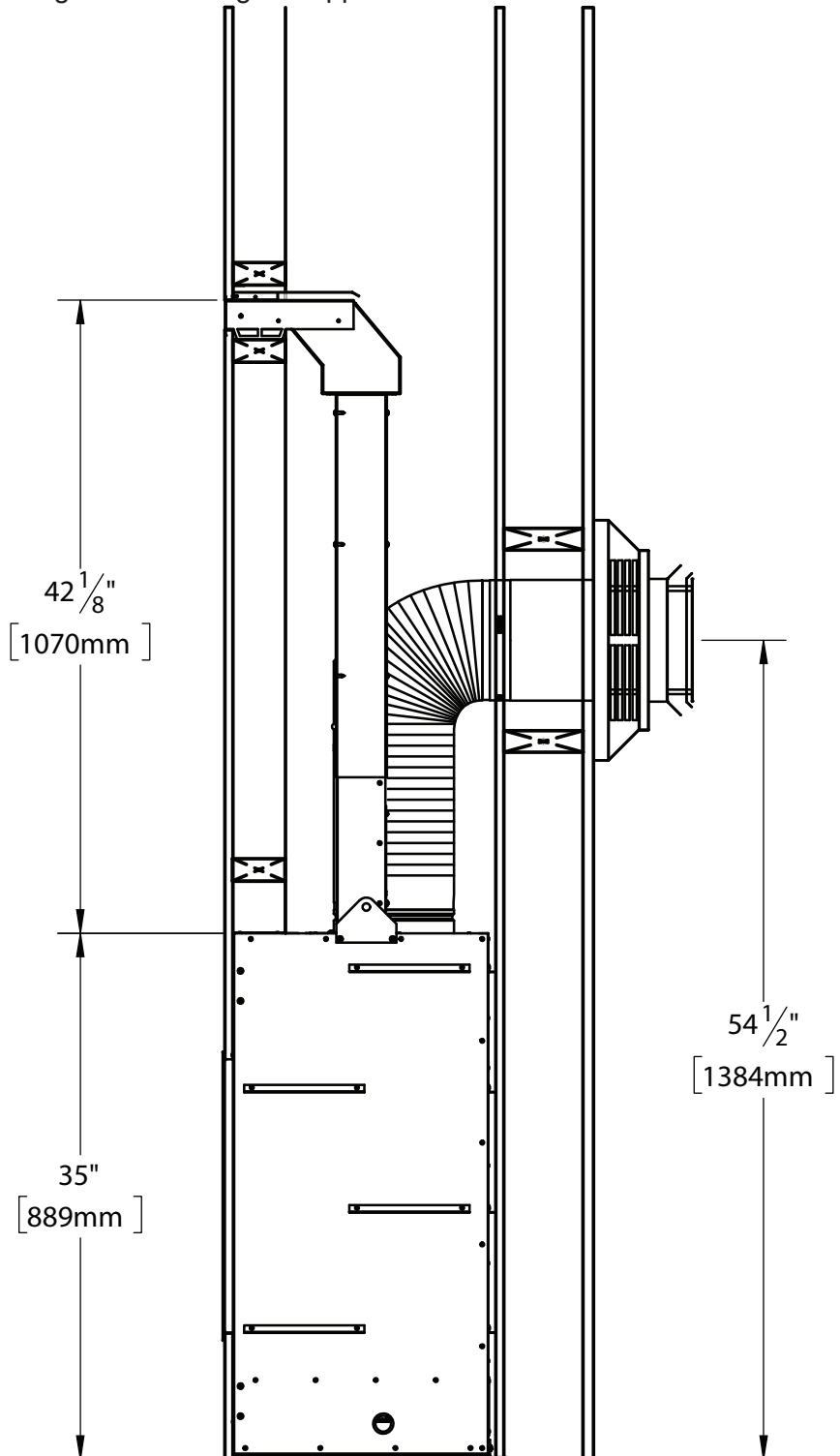


Fig. 9 Flex Venting Installation

CL4416 Minimum Clearance to Combustibles

TV INSTALLATION AND TV RECESS

If mounting a TV above the appliance some considerations must be made to ensure it is protected from the heat. Make sure there is 2" (51 mm) of clearance around the sides and top of the TV to allow for airflow. A mantel extending 2 1/2" (64 mm) past the front of the TV screen is the best option for heat reduction (see "MANTEL REQUIREMENTS", a minimum 8" (204 mm) mantel is recommended), or maintain the clearance from the finishing edge (Fig. 10), a recess can also be built into the framing to house the TV. (Fig. 11)

During testing the temperatures did not exceed 150°F (65°C) on the bottom edge of the TV. There is no guarantee that these temperatures will not harm the longevity of your TV. Make sure to consult your TV manufacturer's specifications to find the maximum allowable operating temperature. Since every home and installation is unique, temperatures should be verified at the time of install if possible. A TV should not be installed if temperatures exceed the manufacturers maximum allowable temperature.

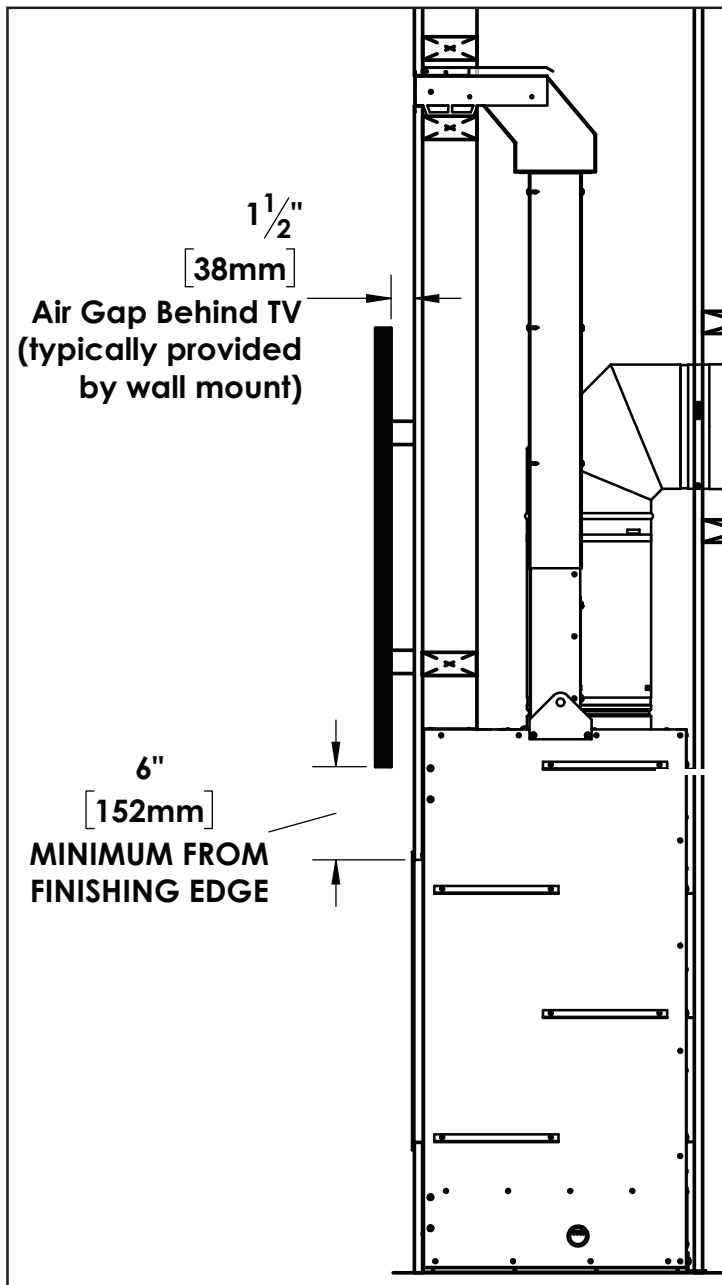


Fig. 10 TV Installation

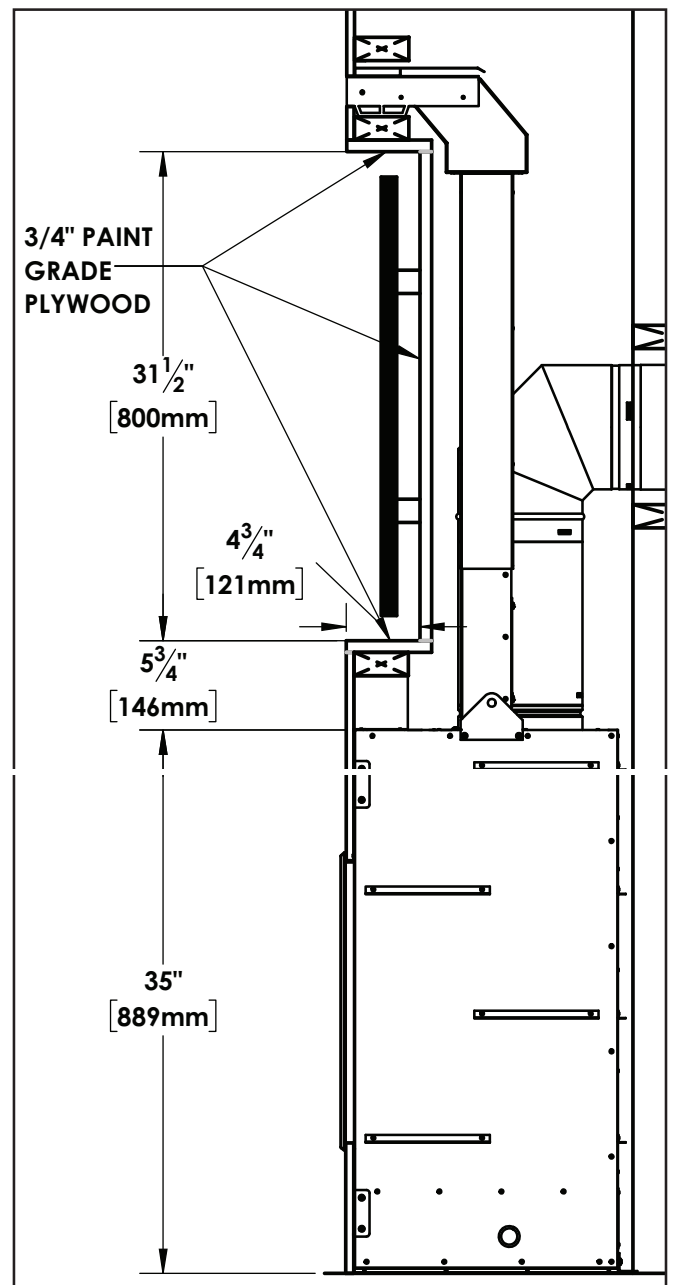


Fig. 11 TV Installation with Recess