

PE32 HEARTH PAD SPECS

CANADIAN HEARTH PAD

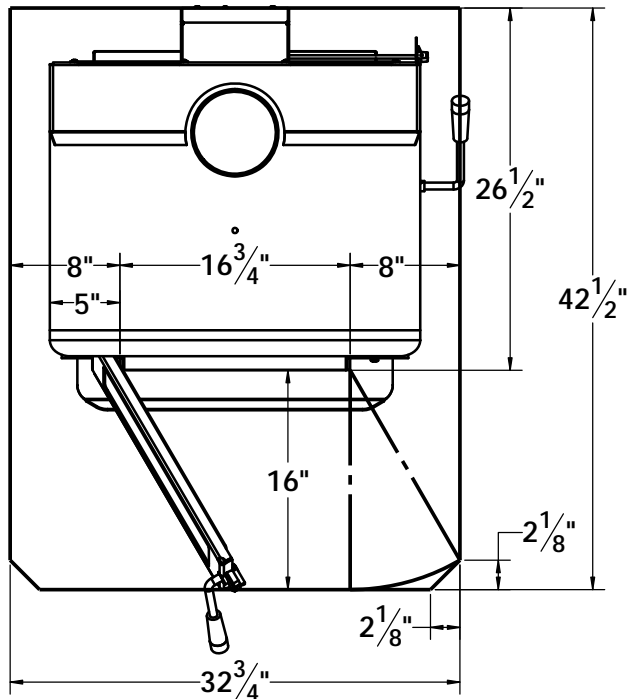
*18" FROM FRONT FLANGE TO PAD FRONT

*8" FROM UNIT SIDES TO PAD SIDES

*8" FROM UNIT BACK TO PAD BACK

$$8+27+8 = 43" \text{ WIDE}$$

$$18+26 \frac{1}{2}+8 = 52 \frac{1}{2}" \text{ DEEP}$$



USA HEARTH PAD

*16" FROM FRONT FLANGE TO PAD FRONT

*8" FRONT FLANGE SIDES TO PAD SIDES

*0" REAR CLEARANCE

$$8+16 \frac{3}{4}+8 = 32 \frac{3}{4}" \text{ WIDE}$$

$$16+26 \frac{1}{2}+0 = 42 \frac{1}{2}" \text{ DEEP}$$

$$G = 8 - 5" = 3"$$