

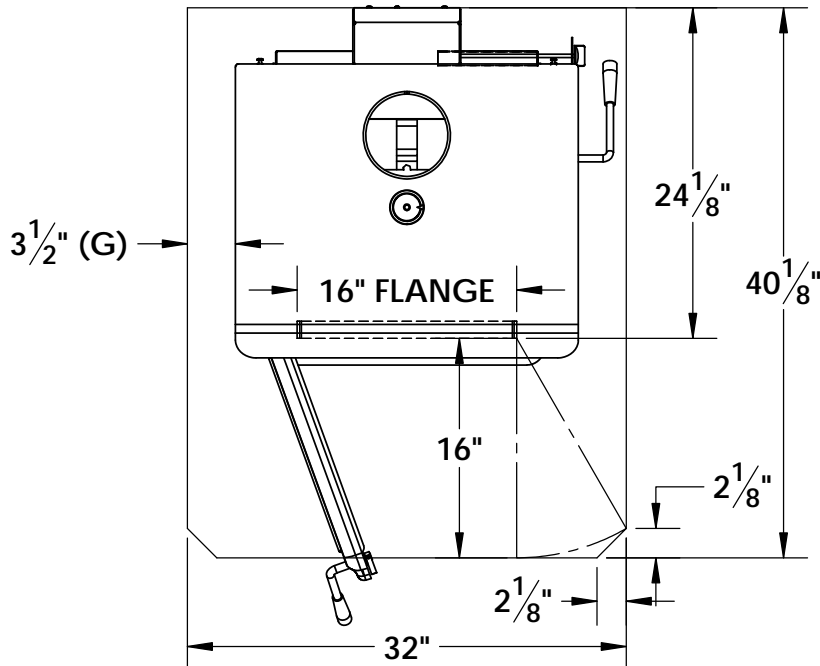
SC20 HEARTH PAD SPECS

CANADIAN HEARTH PAD

- *18" FROM FRONT FLANGE TO PAD FRONT
- *8" FROM UNIT SIDES TO PAD SIDES
- *8" FROM UNIT BACK TO PAD BACK

$$8+25+8 = 41" \text{ WIDE}$$

$$18+24 \frac{1}{8}+8 = 50 \frac{1}{8}" \text{ DEEP}$$



USA HEARTH PAD

- *16" FROM FRONT FLANGE TO PAD FRONT
- *8" FRONT FLANGE SIDES TO PAD SIDES
- *0" REAR CLEARANCE

$$8+16+8 = 32" \text{ WIDE}$$

$$16+24 \frac{1}{8}+0 = 40 \frac{1}{8}" \text{ DEEP}$$

$$G = 8-4.5 = 3.5$$