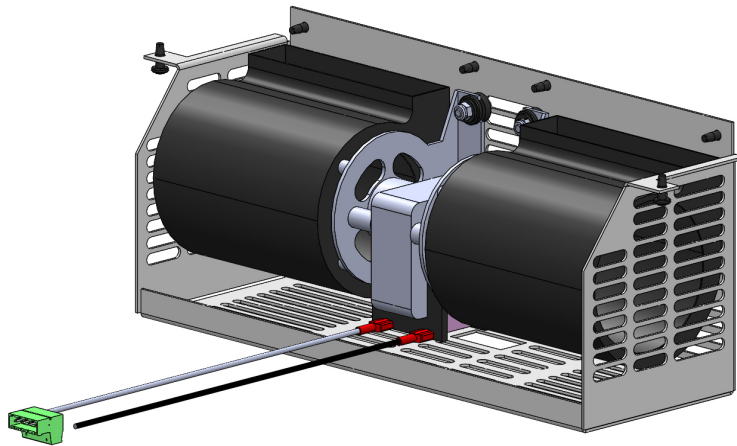




S.Z5177.IPI

CLARITY CL26.IPI FAN KIT

INSTALLATION MANUAL



CALIFORNIA PROPOSITION 65

WARNING: This product can expose you to chemicals including benzene, which is known to the State of California to cause cancer and birth defects or other reproductive harm. For more information:
www.P65Warnings.ca.gov

MANUFACTURED BY

Valley Comfort Systems Inc., 1290 Commercial Way, Penticton BC, Canada, V2A 3H5
web: www.blazeking.com email: info@blazeking.com

Pour la version française de nos manuels S.V.P. vous référez à notre site web: www.blazeking.com

INSTALLATION

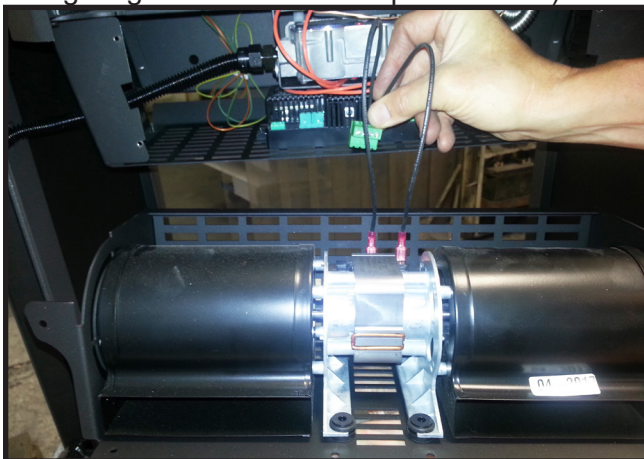
Follow the instructions below to ensure proper installation of the fan. It is recommended that the fan is installed at the appliance point of installation.

The fan can be controlled via the remote / wall mounted transmitter provided with the appliance. To control the fan, press the MODE key on the remote and index to the fan control icon before using the UP/DOWN arrow keys to turn ON, OFF, or adjust speed. A single “beep” from the IFC (within the appliance) will confirm the command has been received. Please refer to the appliance owner’s manual for more details.

1. Before installing, ensure the gas flow to the appliance has been shut off.
2. Remove the rear wire panel (x4 screws) and discard.
4. Position the fan into place by aligning the mounting holes with the holes on the rear of the appliance.



3. Plug the green connector from the fan into the IFC control board on the appliance (refer to the IFC wiring diagram for the correct port location).



5. Secure the fan by fastening x6 screws to the appliance (note: x2 screws fasten into the firebox bottom).



IFC WIRING DIAGRAM

