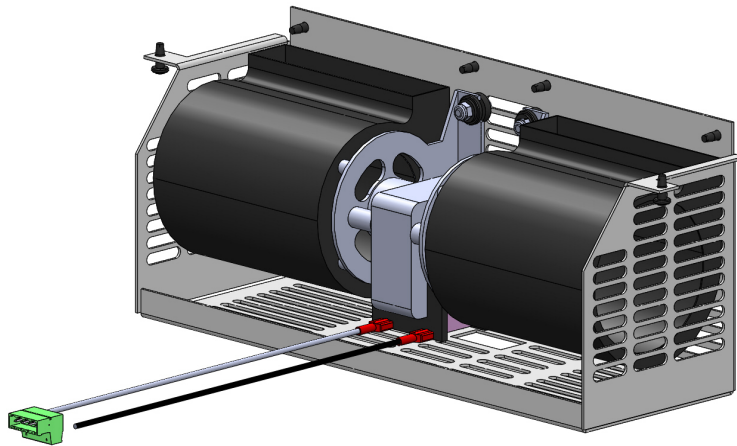




**S.Z5177.SP**  
**CLARITY CL26.SP FAN KIT**  
**INSTALLATION MANUAL**



**CALIFORNIA PROPOSITION 65**

**WARNING:** This product can expose you to chemicals including benzene, which is known to the State of California to cause cancer and birth defects or other reproductive harm. For more information:  
[www.P65Warnings.ca.gov](http://www.P65Warnings.ca.gov)

**MANUFACTURED BY**

Valley Comfort Systems Inc., 1290 Commercial Way, Penticton BC, Canada, V2A 3H5  
web: [www.blazeking.com](http://www.blazeking.com) email: [info@blazeking.com](mailto:info@blazeking.com)

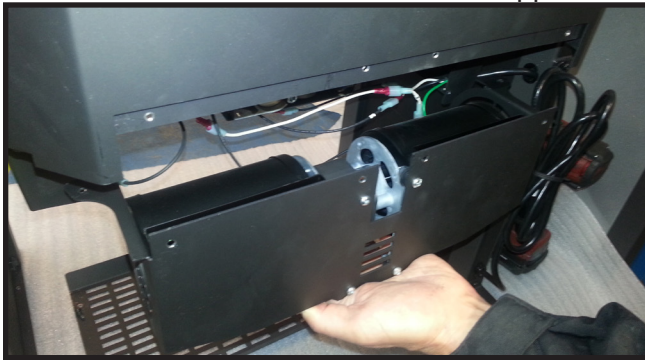
Pour la version française de nos manuels S.V.P. vous référez à notre site web: [www.blazeking.com](http://www.blazeking.com)

**INSTALLATION**

Follow the instructions below to ensure proper installation of the fan. It is recommended that the fan is installed at the appliance point of installation.

Note: The fan will only be operational once appliance has reached its operating temperature (approx. 15 minutes after ignition). Once operational, the fan speed can be adjusted via the control knob located below the firebox (turn counterclockwise to increase speed, clockwise to decrease speed). The fan will continue to operate for approx. 15 minutes once the appliance is turned off and drops out of operating temperature. To manually turn off the fan, rotate the control knob fully counterclockwise until it "clicks".

1. Before installing, ensure the gas flow to the appliance has been shut off.
2. Position the fan into place by aligning the mounting holes with the holes on the rear of the appliance.
4. Position the rheostat housing into the hole on the rear side of the control housing panel.



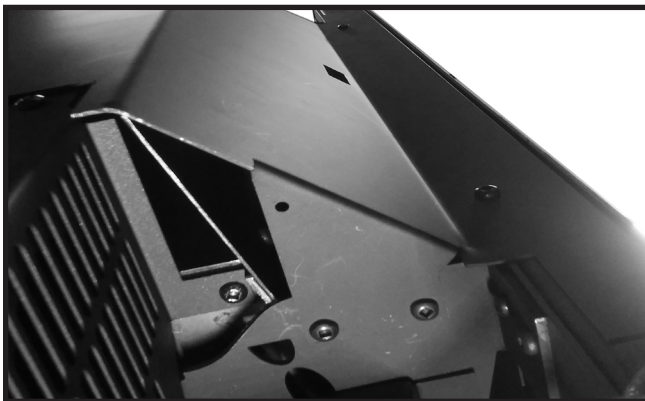
3. Secure the fan by fastening x6 screws to the appliance (note: x2 screws fasten into the firebox bottom).



5. Attach the star washer and rheostat nut to the rheostat post sticking out through the front side of the control panel.



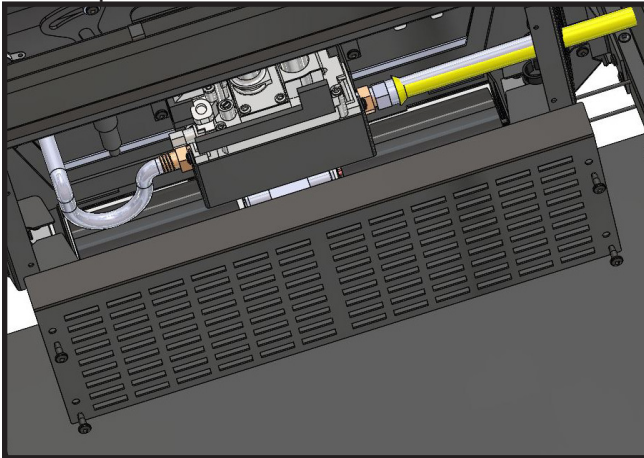
6. Slide the control knob onto the rheostat post.



7. Slide the snap disk into the snap disk bracket located on the underside of the valve tray in the appliance. Ensure the snap disk tabs are both seated into the bracket.



8. Install the lower wire cover by using x4 screws to fasten it to the underside of both the right and left control panel sides.



9. Plug the fan power cord into the nearest wall outlet to complete the install.