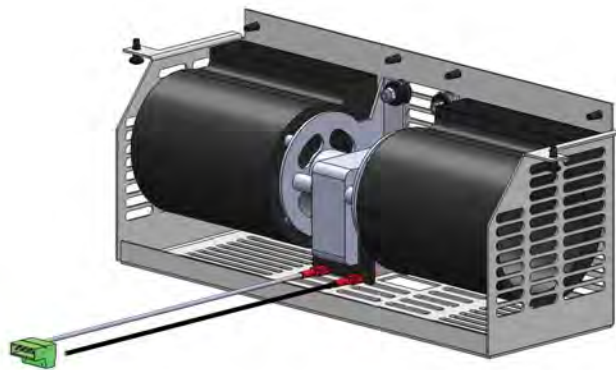




S.Z5177.IPI FAN KIT
for CLARITY 26 FS IPI (Intermittent Pilot Ignition)
(S.CL26.FS.IPI)



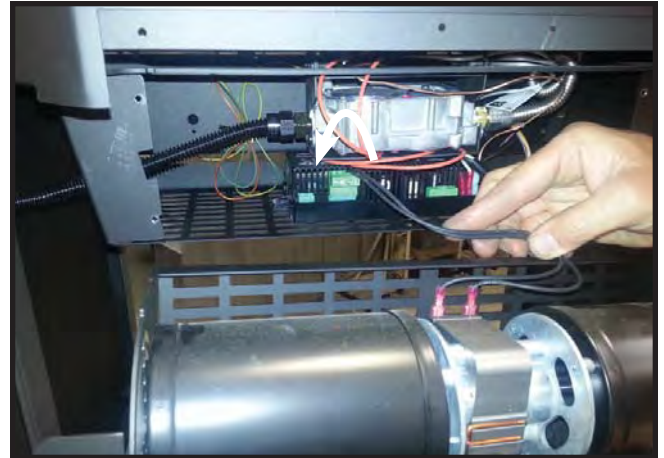
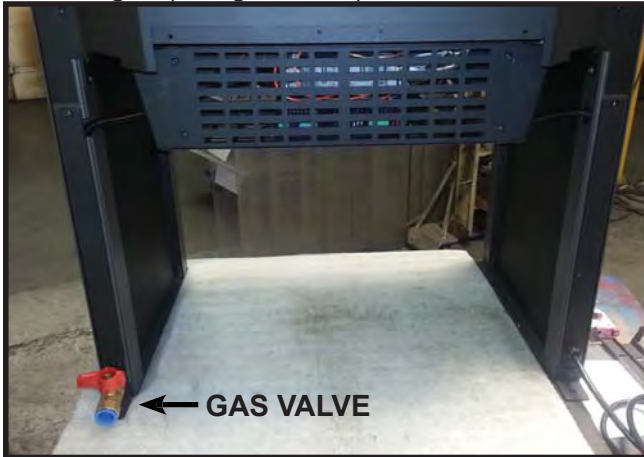
The optional fan kit can be controlled with the wall mounted transmitter. The fan speed can be adjusted through six (6) speeds. To control the fan press the MODE key on the wall mount transmitter to index to the fan control icon. Use UP/DOWN arrow keys to turn on, off , or adjust the fan speed. A single beep from the IFC control will confirm the command has been received.

Manufactured By

Valley Comfort Systems Inc., 1290 Commercial Way, Penticton, BC, V2A 3H5, Canada
Phone: 250-493-7444 ♦ Fax: 250-493-5833 ♦ www.blazeking.com ♦ info@blazeking.com

S.Z5177.IPI FAN KIT for CLARITY 26 FS IPI

1. Turn off gas (see gas valve).



2. Remove the rear wire panel (four screws), the panel is no longer needed.

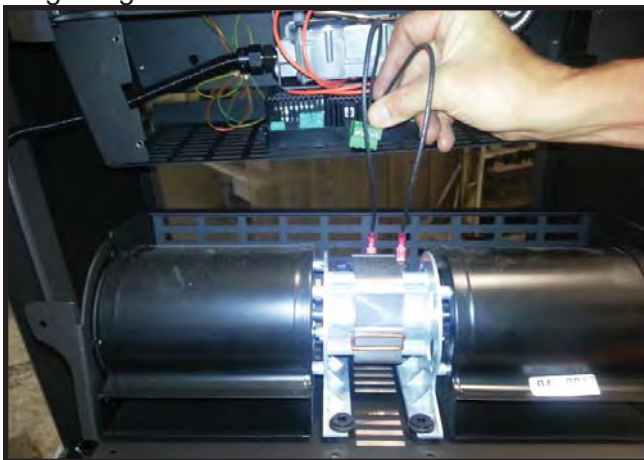


4. Position the fan into place as shown.



Ensure the side tabs are between the support panel and the firebox bottom pan.

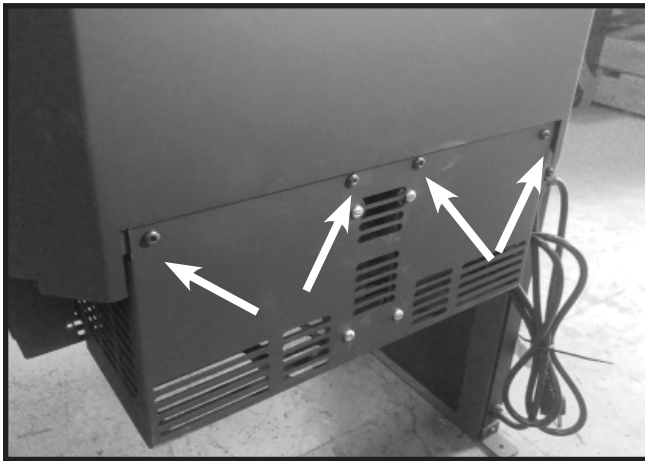
3. Plug the green socket into the IFC control board.



5. Screw the fan assembly to the appliance, 2 screws (1 each side) into the firebox bottom.



4 screws to secure back.



CLARITY 26 FS IPI WIRING

