

CANADIAN HEARTH PAD

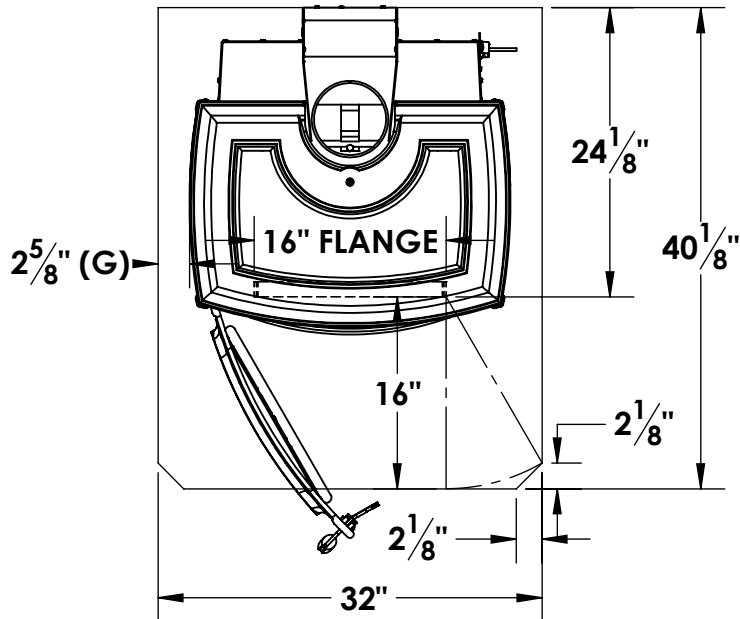
*18" FROM FRONT FLANGE TO PAD FRONT

*8" FROM UNIT SIDES TO PAD SIDES

*8" FROM UNIT BACK TO PAD BACK

$8+26\frac{3}{4}$ (width)+8 = $42\frac{3}{4}$ " WIDE

$18+24\frac{1}{8}+8 = 50\frac{1}{8}$ " DEEP



USA HEARTH PAD

*16" FROM FRONT FLANGE TO PAD FRONT

*8" FRONT FLANGE SIDES TO PAD SIDES

*0" REAR CLEARANCE

$8+16$ (flange)+8 = 32 " WIDE

$16+24\frac{1}{8}+0 = 40\frac{1}{8}$ " DEEP

$G = 8-5\frac{3}{8} = 2\frac{5}{8}$ "

Valley Comfort Systems Inc

1290 Commercial way Penticton, BC V2A 3H5

| Part Name | | Part Number |
|-------------------|---------------|----------------------|
| AF20.1 hearth pad | | |
| Date | Revision date | Model |
| May 7 14 | ?? | AF20.1 |
| Drawn By | Quantity per | Material / Thickness |
| TJ | 1 | |

All Dimensions in Inches

Tolerance

| General | Hole Size | Hole Pos | Angles |
|----------|-----------|----------|---------|
| +/- 0.03 | +/- 0.005 | +/- 0.03 | +/- 0.5 |

WEIGHT:

PUNCH BLANK SIZE:

LASER BLANK SIZE: