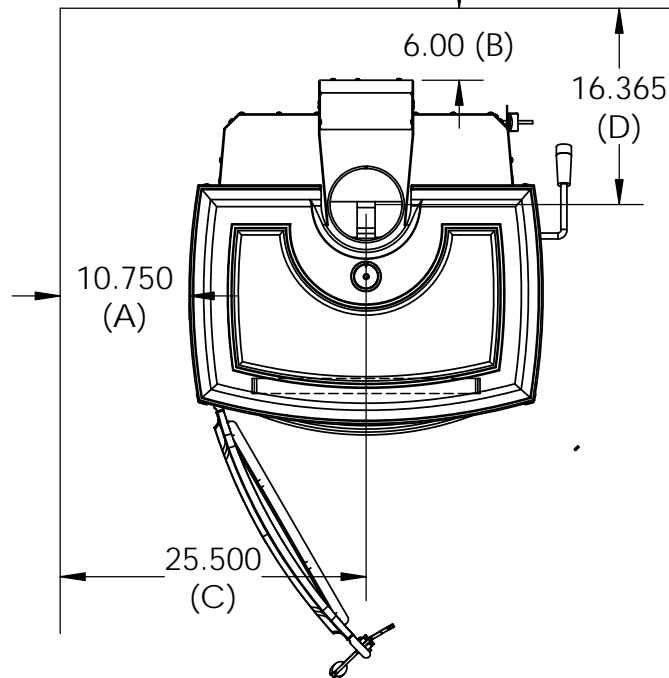


**WALL CLEARANCE**

- A - 10 3/4" / 273 mm
- B - 6" / 153 mm
- C - 25 1/2" / 648 mm
- D - 16 3/8" / 416 mm
- E - 4" / 102 mm
- F - 16 7/8" / 429 mm

**ALCOVE**

min. width =  $(10.75 \times 2) + 29.5$  (stove top) = **51"**  
 max. depth = **48"**  
 min. height above stovetop =  $72" - 35$  (CK30 height) = **37"**



**Valley Comfort Systems Inc**  
 1290 Commercial way Penticton, BC V2A 3H5

Part Name		Part Number
AF30.1 clearance specs		
Date	Revision date	Model
Jul 7 14	??	AF30.1
Drawn By	Quantity per	Material / Thickness
TJ	1	

All Dimensions in Inches				WEIGHT:
Tolerance				PUNCH BLANK SIZE:
General	Hole Size	Hole Pos	Angles	LASER BLANK SIZE:
+/- 0.03	+/- 0.005	+/- 0.03	+/- 0.5	