

CANADIAN HEARTH PAD

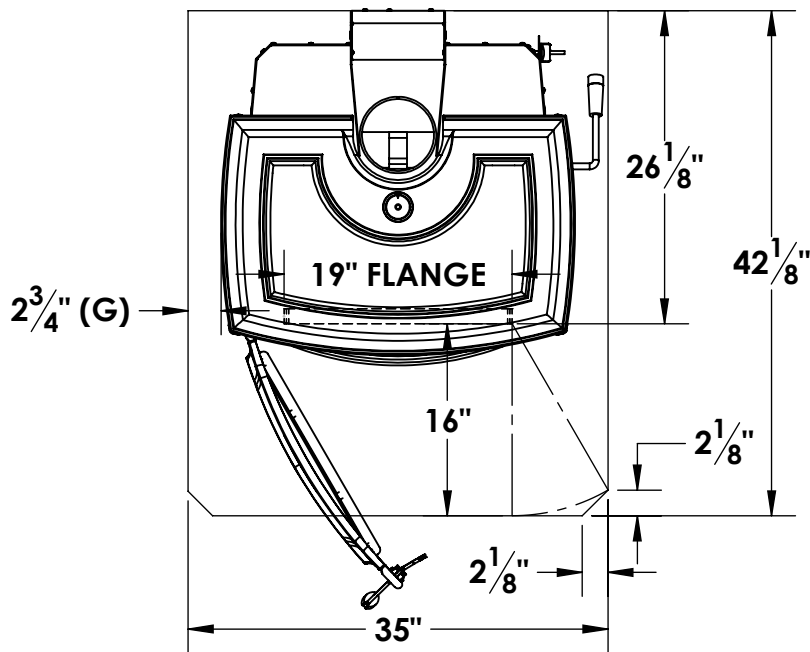
*18" FROM FRONT FLANGE TO PAD FRONT

*8" FROM UNIT SIDES TO PAD SIDES

*8" FROM UNIT BACK TO PAD BACK

8+29 1/2 (width)+8 = 45 1/2" WIDE

18+26 1/8+8 = 52 1/8" DEEP



USA HEARTH PAD

*16" FROM FRONT FLANGE TO PAD FRONT

*8" FRONT FLANGE SIDES TO PAD SIDES

*0" REAR CLEARANCE

8+19 (flange)+8 = 35" WIDE

16+26 1/8+0 = 42 1/8" DEEP

G = 8-5 1/4 = 2 3/4"

Valley Comfort Systems Inc

1290 Commercial way Penticton, BC V2A 3H5

Part Name	Part Number
-----------	-------------

AF30.1 hearth pad	
-------------------	--

Date	Revision date	Model
------	---------------	-------

Jun 25 14	??	AF30.1
-----------	----	--------

Drawn By	Quantity per	Material / Thickness
----------	--------------	----------------------

TJ	1	
----	---	--

WEIGHT:

All Dimensions in Inches

Tolerance

General	Hole Size	Hole Pos	Angles
---------	-----------	----------	--------

+/- 0.03	+/- 0.005	+/- 0.03	+/- 0.5
----------	-----------	----------	---------

PUNCH BLANK SIZE:

LASER BLANK SIZE: