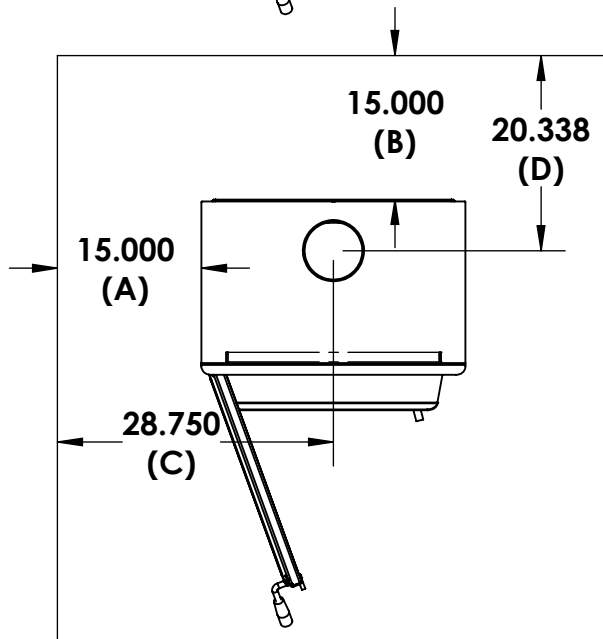


RESIDENTIAL WALL CLEARANCE

- A - 15" / 381 mm
- B - 15" / 381 mm
- C - 28 3/4" / 731 mm
- D - 20 1/2" / 521 mm
- E - 15" / 381 mm
- F - 28 1/2" / 724 mm



MOBILE HOME WALL CLEARANCE

- A - 14" / 356 mm
- B - 8" / 204 mm
- C - 27 3/4" / 705 mm
- D - 13 1/2" / 343 mm
- E - 8" / 204 mm
- F - 21 1/2" / 546 mm

Valley Comfort Systems Inc
1290 Commercial way Penticton, BC V2A 3H5

| Part Name | | Part Number |
|-------------------------|---------------|----------------------|
| BR11 FS clearance specs | | |
| Date | Revision date | Model |
| Sep 04 15 | ?? | BR11 FS |
| Drawn By | Quantity per | Material / Thickness |
| TJ | 1 | |

| All Dimensions in Inches | | | |
|--------------------------|-----------|----------|---------|
| Tolerance | | | |
| General | Hole Size | Hole Pos | Angles |
| +/- 0.03 | +/- 0.005 | +/- 0.03 | +/- 0.5 |

WEIGHT:

PUNCH BLANK SIZE:

LASER BLANK SIZE: