

CANADIAN HEARTH PAD
 *18" FROM FRONT FLANGE TO PAD FRONT
 *8" FROM UNIT SIDES TO PAD SIDES
 *8" FROM UNIT BACK TO PAD BACK

18+17+8 = 43" DEEP

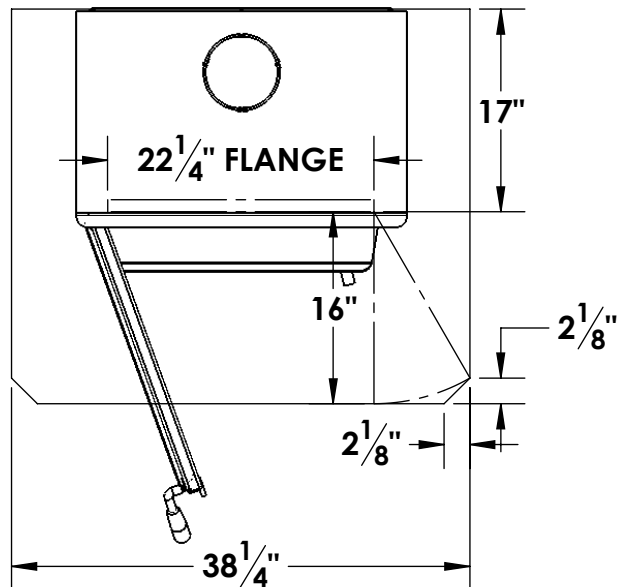
8+27 1/2+8 = 43 1/2" WIDE

USA HEARTH PAD
 *16" FROM FRONT FLANGE TO PAD FRONT
 *8" FRONT FLANGE SIDES TO PAD SIDES
 *0" REAR CLEARANCE

16+17+0 = 33" DEEP

8+22 1/4+8 = 38 1/2" WIDE

G = 8 - 2 5/8" = 5 3/8"



Valley Comfort Systems Inc 1290 Commercial way Penticton, BC V2A 3H5		
Part Name		Part Number
BR11 FS hearth pad		
Date	Revision date	Model
Feb 12 14	??	BR11
Drawn By	Quantity per	Material / Thickness
TJ	1	
All Dimensions in Inches		
Tolerance		
General	Hole Size	Hole Pos
+/- 0.03	+/- 0.005	+/- 0.03
Angles	PUNCH BLANK SIZE:	
+/- 0.5	LASER BLANK SIZE:	

All Dimensions in Inches			
Tolerance			
General	Hole Size	Hole Pos	Angles
+/- 0.03	+/- 0.005	+/- 0.03	+/- 0.5
PUNCH BLANK SIZE:		LASER BLANK SIZE:	