



BX24 Boxer

BX24 BOXER

Free Standing Wood Stove

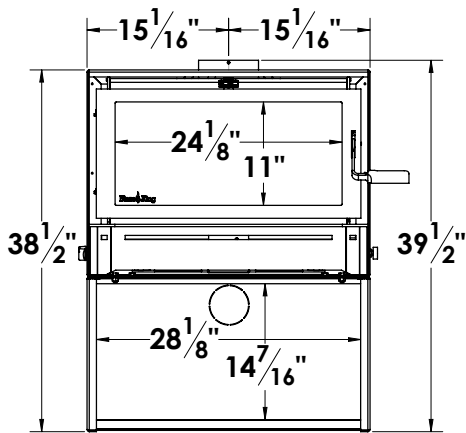


Blaze  King

www.blazeking.com

Blaze King BX24 Boxer

Dimensions



Center of flue to rear of stove 4¹⁵/₁₆"

Depth of stove 22³/₁₆"

Clearances:

Center of flue to rear of stove	4 ¹⁵ / ₁₆ "
Depth of stove	22 ³ / ₁₆ "
Side of stove to side wall	10"
Rear of stove to rear wall	10" (Wall Exit 14")
Side wall to flue center	25 ¹ / ₄ "
Rear wall to flue center	16 ¹ / ₄ " (Wall Exit 19 ¹ / ₄ ")
Rear corner to side wall	2 ³ / ₄ "
Rear corner to flue center	16.4"
Top of stove to alcove ceiling	49"

For a full list of clearances and hearth pad sizes see owners' manual.

Specifications: BX24 Boxer	Optimum Performance (LHV)	Real World Tested Performance (HHV)
Maximum heat input*	311,334 BTU's	311,334 BTU's
Efficiency	83.2%	77%
Constant Heat output on High**	32,379 BTU's/hr for up to 8 hours	29,966 BTU's/hr for up to 8 hours
Constant Heat output on Low***	10,792 BTU's/hr for up to 24 hours	9,989 BTU's/hr for up to 24 hours
Square Feet Heated	800-1,800	
Maximum Log Size	Up to 22" (16" recommended)	
Burn Time*	Up to 24 hours on low	
Emissions (grams/hour)	0.9 g/hr	
Firebox Size	2.3 cu. ft.	
Flue Size	6"	
CO Weighted Average	0.12%	

*Under laboratory conditions we were able to fit 40lbs. of wood into the BX24 Boxer firebox (2.3 cu. ft.) and achieve a 24 hour burn time. Based on an EPA recognized equivalent of one pound of non-resinous wood equal to 8,500 BTU's and one pound of resinous wood equal to 9,700 BTU's per pound, giving a weighted average of 9,100 BTU's per pound. (9,100 BTU's per lb. x 40 lbs. = 366,275 BTU's - 15% moisture content = 311,334 BTU's)

**LHV 311,334 x 83.2% efficiency = 259,030 BTU's ÷ 8 hours = 32,379 BTU's. HHV 311,334 x 77% efficiency = 239,727 BTU's ÷ 8 hours = 29,966 BTU's.

***LHV 311,334 x 83.2% efficiency = 259,030 BTU's ÷ 24 hours = 10,792 BTU's. HHV 311,334 x 77% efficiency = 239,727 BTU's ÷ 24 hours = 9,989 BTU's.

*Heat output, wood consumption, burn times, area heated and BTU's will vary depending on, but not limited to, home size, area heated, home insulation, environmental conditions, venting, wood species, wood moisture content etc.

Note: This stove is not mobile home approved

Design

- A modern wood stove with clean lines
- Wide screen viewing area – 24" x 11"
- Tall pedestal raises the firebox high off the floor for easy loading
- Large wood storage area below the firebox

Performance

- Burns 33% Less Wood*
- Up to 24 hour low burn times* (Up to 13 hour heating times)
- Thermostatically controlled (No electricity required)
- 70% heat output control* (From high burn to low burn)
- Heats 800 to 1,800 square feet*
- 0.9 g/hr emissions
- 2020+ EPA Approved

Features

- 10 Year Warranty on combustor
- Double action door handle with hardwood grip
- Standard dual fan kit
- 2.3 cu. ft. firebox
- 22" log size (the firebox is tapered, 16" recommended)

Efficient The BX24 Boxer is very clean and efficient. Performance is balanced to deliver a greater amount of radiant heat through the large glass door. Blaze King offers the highest efficiencies and cleanest burns available.

Long burn times In the real world the most important thing is to get overnight heat. By pushing the boundaries of long burn times, Blaze King is able to deliver that all important full night's sleep and much more.

Burn 33% less wood The combination of our exclusive thermostat and catalytic combustor technology makes your Blaze King one of the most efficient wood stoves in the world. The proof of this is in our flue temperatures. Non Blaze King stoves have flue temperatures of between 600° F and 900° F while Blaze King flue temperatures are between 200° F and 300° F. Non Blaze King stoves pump valuable heat up the flue while your Blaze King keeps the heat in your home saving you money. As a result our highly efficient stoves will burn up to 33% less wood. So you cut, stack, load and clean 33% less wood.

Thermostat Control (No electricity required) All Blaze King stoves come with a built in thermostat that automatically adjusts the air for combustion and allows you to regulate the heat from your stove by up to 70% difference between high and low heat.