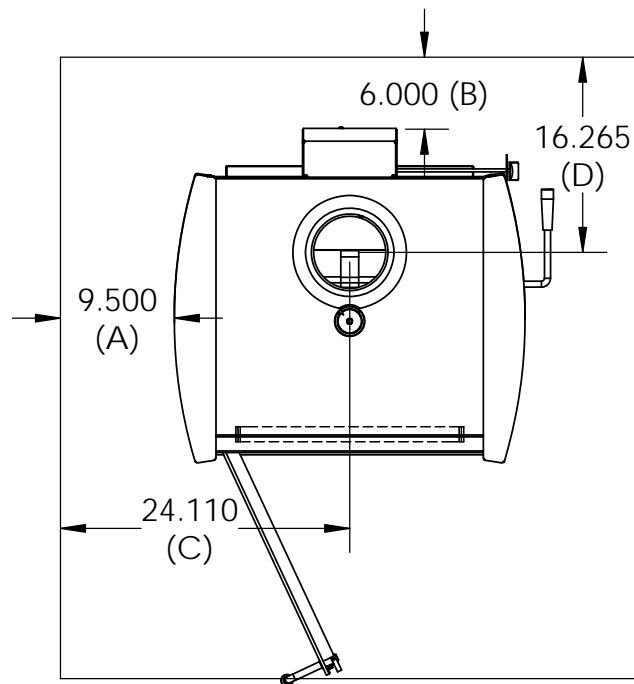


WALL CLEARANCE

- A - 9 1/2" / 242 mm
- B - 6" / 153 mm
- C - 24 1/8" / 613 mm
- D - 16 3/8" / 416 mm
- E - 4" / 102 mm
- F - 17 5/8" / 448 mm

ALCOVE

min. width = $(9.5 \times 2) + 29.25(\text{stove top}) = 48"$
 max. depth = **48"**
 min. height above stovetop = $72" - 35(\text{CK30 height}) = 37"$



Valley Comfort Systems Inc
 1290 Commercial way Penticton, BC V2A 3H5

Part Name		Part Number
CK30.1 clearance specs		
Date	Revision date	Model
Jul 7 14	??	CK30.1
Drawn By	Quantity per	Material / Thickness
TJ	1	

All Dimensions in Inches				WEIGHT:
Tolerance				PUNCH BLANK SIZE:
General	Hole Size	Hole Pos	Angles	LASER BLANK SIZE:
+/- 0.03	+/- 0.005	+/- 0.03	+/- 0.5	