

CANADIAN HEARTH PAD
 *18" FROM FRONT FLANGE TO PAD FRONT
 *8" FROM UNIT SIDES TO PAD SIDES
 *8" FROM UNIT BACK TO PAD BACK

18+26 1/8+8 = 52 1/8" DEEP

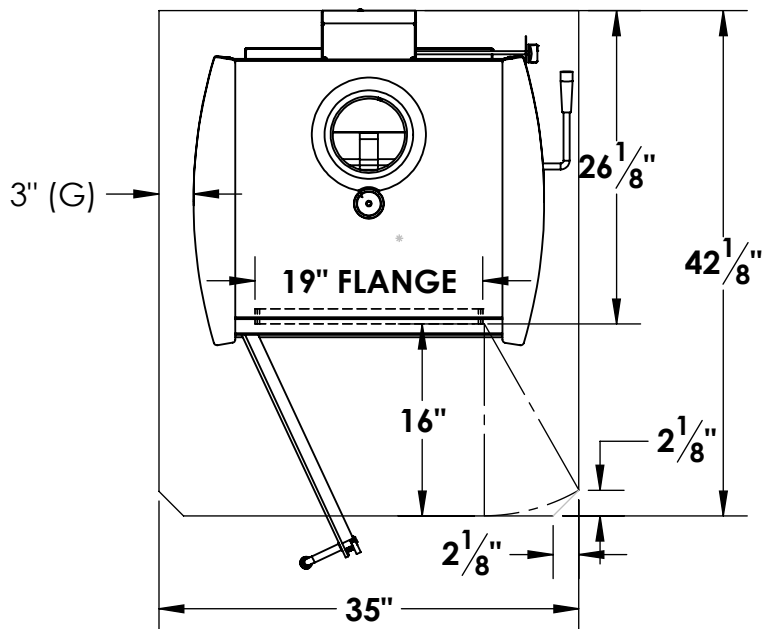
8+29 1/4+8 = 45 1/4" WIDE

USA HEARTH PAD
 *16" FROM FRONT FLANGE TO PAD FRONT
 *8" FRONT FLANGE SIDES TO PAD SIDES
 *0" REAR CLEARANCE

16+26 1/8+0 = 42 1/8" DEEP

8+19+8 = 35" WIDE

G = 8 - 5 = 3"



Valley Comfort Systems Inc 1290 Commercial way Penticton, BC V2A 3H5			
Part Name			Part Number
CK30.1 hearth pad			
Date	Revision date	Model	
Jun 25 14	??	CK30.1	
Drawn By	Quantity per	Material / Thickness	
TJ	1		
All Dimensions in Inches			
Tolerance			
General	Hole Size	Hole Pos	Angles
+/- 0.03	+/- 0.005	+/- 0.03	+/- 0.5
WEIGHT:			
PUNCH BLANK SIZE:			
LASER BLANK SIZE:			