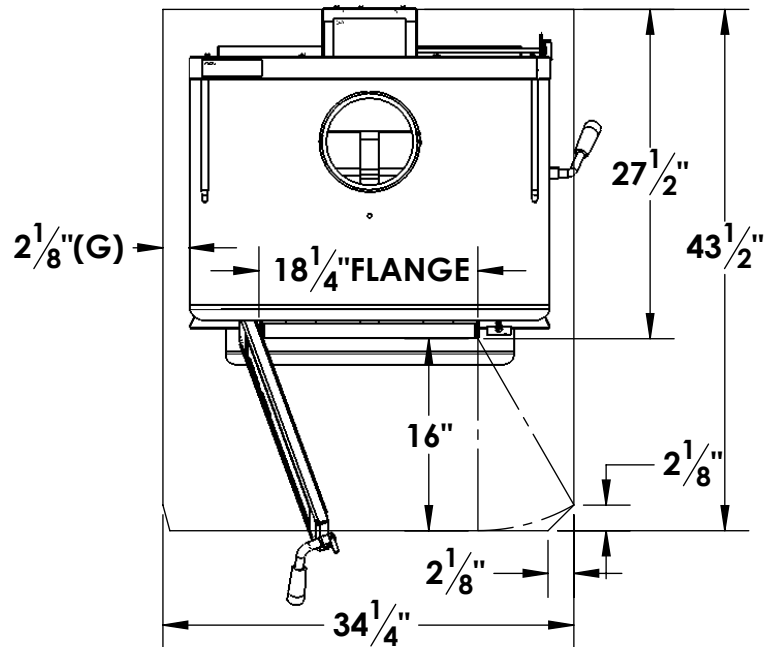


CANADIAN HEARTH PAD
 *18" FROM FRONT FLANGE TO PAD FRONT
 *8" FROM UNIT SIDES TO PAD SIDES
 *8" FROM UNIT BACK TO PAD BACK

18+27 1/2+8 = 53 1/2" DEEP

8+30+8 = 46" WIDE



USA HEARTH PAD
 *16" FROM FRONT FLANGE TO PAD FRONT
 *8" FRONT FLANGE SIDES TO PAD SIDES
 *0" REAR CLEARANCE

16+27 1/2+0 = 43 1/2" DEEP

8+18 1/4+8 = 34 1/4" WIDE

G = 8-5 7/8" = 2 1/8"

Valley Comfort Systems Inc 1290 Commercial way Penticton, BC V2A 3H5		
Part Name		Part Number
KE1107 Classic Parlor hearth pad		
Date	Revision date	Model
Oct 24 13	??	KE1107 Classic/Parlor
Drawn By	Quantity per	Material / Thickness
TJ	1	
All Dimensions in Inches		
Tolerance		
General	Hole Size	Hole Pos
+/- 0.03	+/- 0.005	+/- 0.03
Angles	PUNCH BLANK SIZE:	
+/- 0.5	LASER BLANK SIZE:	