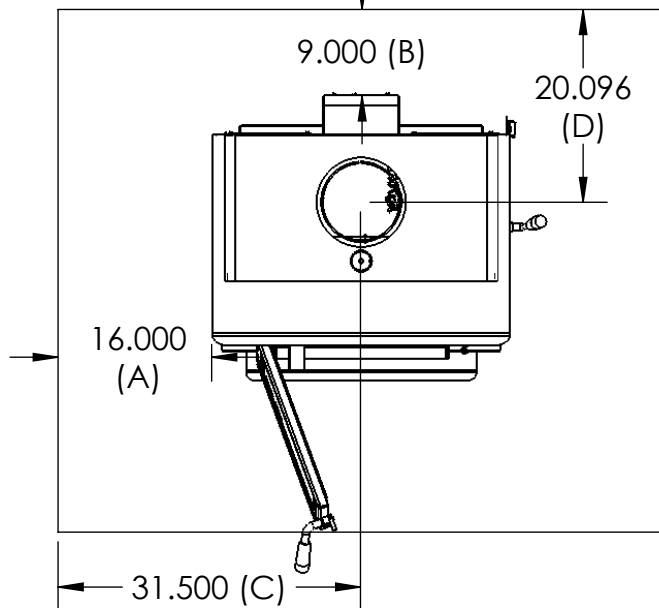


**WALL CLEARANCE**

- A - 16" / 407 mm
- B - 9" / 229 mm
- C - 31 1/2" / 800 mm
- D - 20 1/8" / 512 mm
- E - 14" / 356 mm
- F - 30" / 762 mm

**REDUCED WALL CLEARANCE**

- A - 10" / 254 mm
- B - 6" / 153 mm
- C - 25 1/2" / 648 mm
- D - 17 1/8" / 435 mm
- E - 6" / 153 mm
- F - 22" / 559 mm



|  |                   |                      |
|--|-------------------|----------------------|
| <b>Valley Comfort Systems Inc</b><br>1290 Commercial way Penticton, BC V2A 3H5 |                   |                      |
| Part Name  |                   | Part Number          |
| KE1107 Ultra clearance specs   |                   |                      |
| Date   | Revision date     | Model                |
| Nov 12 13 ??   |                   | KE1107               |
| Drawn By   | Quantity per      | Material / Thickness |
| TJ   | 1                 |                      |
| All Dimensions in Inches   |                   |                      |
| Tolerance  |                   |                      |
| General  | Hole Size         | Hole Pos             |
| +/- 0.03   | +/- 0.005         | +/- 0.03             |
| Angles   | PUNCH BLANK SIZE: |                      |
| +/- 0.5  | LASER BLANK SIZE: |                      |