

CANADIAN HEARTH PAD
 *18" FROM FRONT FLANGE TO PAD FRONT
 *8" FROM UNIT SIDES TO PAD SIDES
 *8" FROM UNIT BACK TO PAD BACK

18+27 1/2+8 = 53 1/2" DEEP

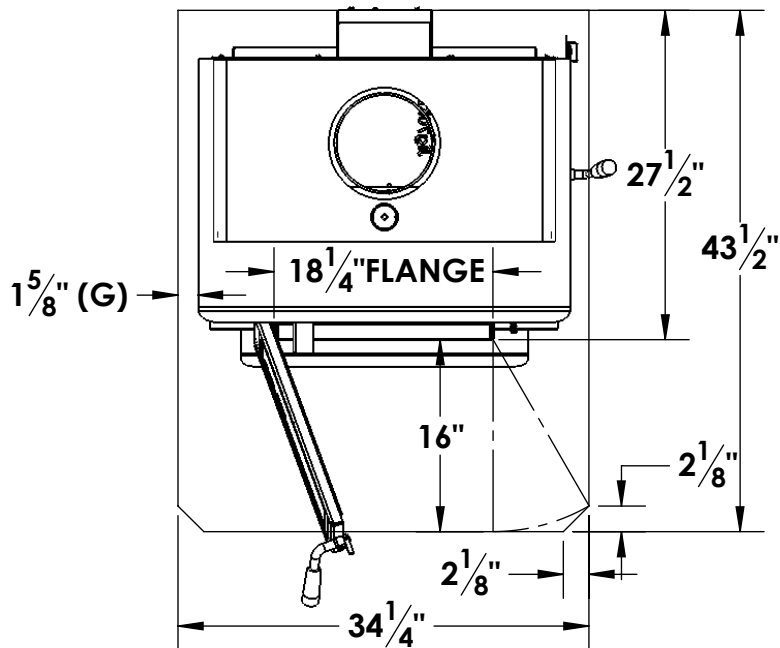
8+31+8 = 47" WIDE

USA HEARTH PAD
 *16" FROM FRONT FLANGE TO PAD FRONT
 *8" FRONT FLANGE SIDES TO PAD SIDES
 *0" REAR CLEARANCE

16+27 1/2+0 = 43 1/2" DEEP

8+18 1/4+8 = 34 1/4" WIDE

G = 8-6 3/8" = 1 5/8"



Valley Comfort Systems Inc			
1290 Commercial way Penticton, BC V2A 3H5			
Part Name			Part Number
King Ultra hearth pad			
Date	Revision date	Model	
Oct 24 13	??	KE1107 Ultra	
Drawn By	Quantity per	Material / Thickness	
TJ	1		
All Dimensions in Inches			
Tolerance			
General	Hole Size	Hole Pos	Angles
+/- 0.03	+/- 0.005	+/- 0.03	+/- 0.5
WEIGHT:			
PUNCH BLANK SIZE:			
LASER BLANK SIZE:			