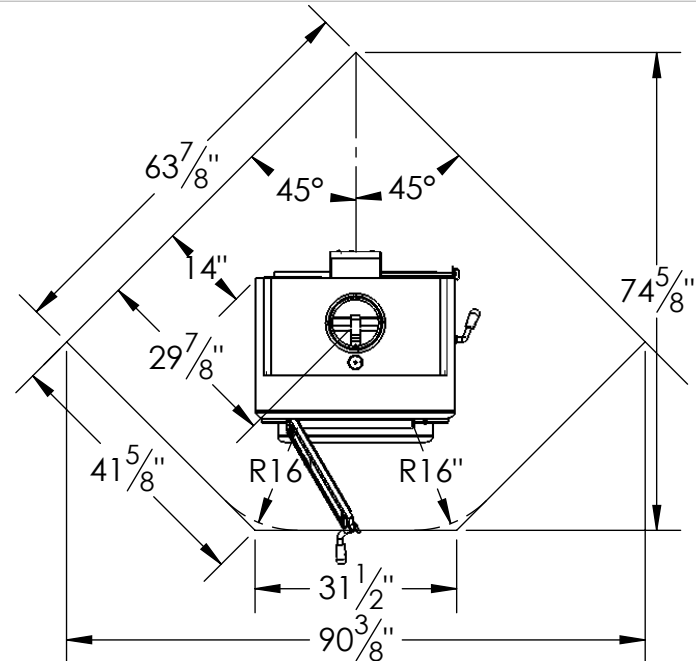
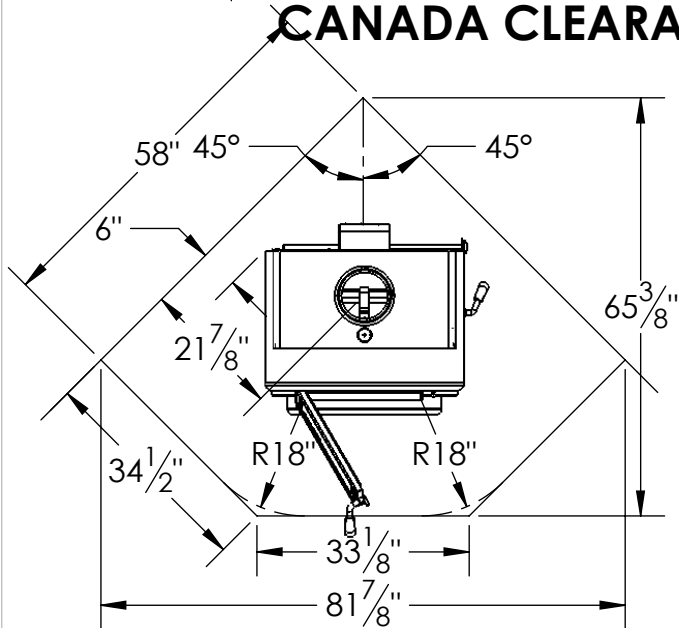


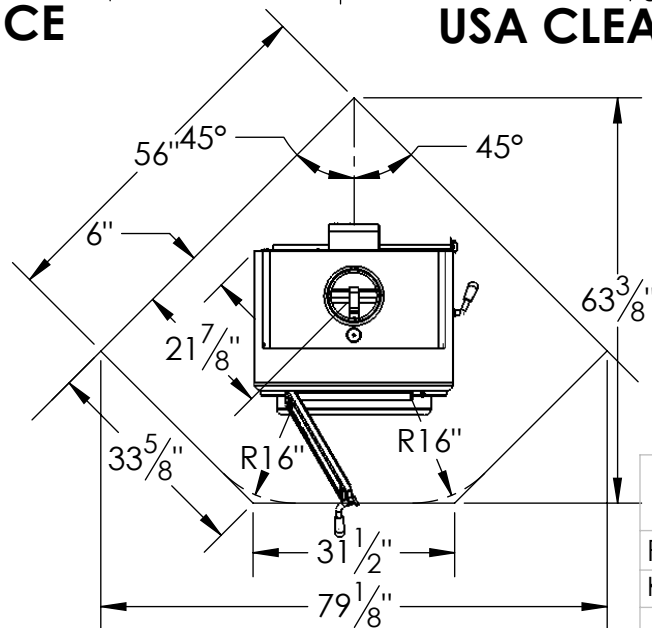
CANADA CLEARANCE



USA CLEARANCE



CANADA REDUCED CLEARANCE



USA REDUCED CLEARANCE

Valley Comfort Systems Inc
1290 Commercial way Penticton, BC V2A 3H5

Part Name		Part Number
KE1107 corner clearance with ember protection		
Date	Revision date	Model
Oct 20 15		KE1107
Drawn By	Quantity per	Material / Thickness
TJ	1	

All Dimensions in Inches			
Tolerance			
General	Hole Size	Hole Pos	Angles
+/- 0.03	+/- 0.005	+/- 0.03	+/- 0.5

WEIGHT:	
PUNCH BLANK SIZE:	
LASER BLANK SIZE:	