

The Briarwood

By

Blaze King



Model BR11/901 Insert

***Solid Fuel Heater
Residential***

**READ THIS MANUAL PRIOR TO INSTALLATION OR OPERATION OF THIS APPLIANCE.
PLEASE KEEP THESE INSTRUCTIONS FOR FUTURE REFERENCE.**

Manufactured By Blaze King

Valley Comfort Systems Inc.

1290 Commercial Way
Penticton, BC V2A 3H5
CANADA

Phone: (250) 493-7444
Fax: (250) 493-5833

LISTED BY:

Warnock Hersey

c Hi® us

Blaze King Industries

146 A Street
Walla Walla, WA 99362
U.S.A.

Phone: (509) 522-2730
Fax: (509) 522-9803



Pour la version française de nos manuels S.V.P. vous référez à notre site web :

To Our Valued Customers

Dear Customer:

Thank you for purchasing the **BRIARWOOD II**, wood burning stove (hereafter referred to as "stove").

This owner's manual explains the steps required to safely assemble, install, operate, and maintain your new stove. **Be a responsible stove owner; PLEASE CAREFULLY READ THIS ENTIRE MANUAL BEFORE YOU INSTALL AND USE YOUR NEW STOVE. FAILURE TO FOLLOW THESE INSTRUCTIONS MAY RESULT IN PROPERTY DAMAGE, BODILY INJURY, OR EVEN DEATH.**

If local laws require obtain permits from the Building Inspector or Fire Department. Check local building and fire codes before installing your stove. When the installation has been completed by a qualified, licensed installer, have it checked by your local inspector. Disregarding inspection and code requirements may jeopardize your homeowner's insurance. Since some insurance carriers require notification of a stove installation you should contact your insurance agent. We want your **stove** to give you many years of trouble-free operation.

While we have made every effort to make these instructions as complete as possible, some installation or operating conditions may not be covered. If you have any questions that are not answered here, contact your **BLAZE KING** dealer, Local Building Inspector, Fire Department, or our customer service department. In United States contact **Blaze King**, Walla Walla, WA (509) 522-2730. In Canada Contact Valley Comfort Systems /Blaze King at 250-493-7444.

Thank you for your purchase,

The Management and Employees of
Blaze King

Table Of Contents

<u>Description</u>	<u>Page #</u>
General Information	4-11
Warranty	4-7
Approval Label.....	8
Safety.....	9-10
Warnings.....	9
Maintenance	11
Baffle.....	11
Door Gasket.....	11
Door Adjustment.....	11
Ashes	11
Fuel.....	11
Creosote	11
Installation.....	12-15
Location	12
Floor Protection	12
Clearances.....	12
General Installation Instructions	13
Optional Components.....	13
Chimney requirements.....	14-15
Chimney height.....	15
Chimney Draft.....	15
Operation	16
Grates	16
First Fire.....	16
Curing Paint.....	16
Starting Fire	16
Controls	16
Do Not Burn	16
Heat Output	16
Do Not Over fire.....	16
Assembly	17-19
General.....	17
Optional	18
Diagrams	19
Notes.....	20

CAUTION: HOT WHILE IN OPERATION. DO NOT TOUCH. KEEP CHILDREN, CLOTHING AND FURNITURE AWAY. CONTACT MAY CAUSE SKIN BURN. READ NAMEPLATE AND INSTRUCTIONS BEFORE OPERATING THE HEATER.

General Information—Warranty

BLAZE KING WOOD LIMITED WARRANTY

Blaze King and its respective brands extend the following warranty for wood fired appliances purchased from an authorized Blaze King dealer and installed in the United States of America or Canada. Warranty starts with date of purchase by the original owner (End User) except as noted for replacement parts.

Warranty Period		Components Covered	
Parts	Labor	Wood	
1 Year		X	All parts, materials and surface finishes (flaking and peeling) Subject to Conditions, Exclusion, and Limitations listed
2 Years		X	Fan assemblies and motors, thermal sensors, catalytic thermometer , bi-metallic thermostat assembly
5 Years	2 Year	X	Firebox & Heat Exchanger, Bypass Door Steel Components
6 Years		X	Catalyst Combustor (see Conditions, Exclusions, and Limitations)
1 Year		X	Other Replacement Parts
See Conditions, Exclusions, and Limitations.			

General Information—Warranty cont.

Blaze King Wood Limited 5 Year Warranty

Blaze King is the manufacturer of the Blaze King line of heating products. At Blaze King, our commitment to the highest level of quality and customer service is the most important thing we do. Each Blaze King stove is built on a tradition of using only the finest materials and is backed by our limited warranty to the original purchaser. With Blaze King, you're not just buying a stove; you're buying a company with years of unequalled performance and quality.

Limited Six (6) Year Warranty:

The CATALYTIC COMBUSTOR is under warranty by Blaze King for six (6) years from the date of original retail purchase. The purchaser shall pay the following share of the then current retail price for the combustor: The first three (3) years no charge, 4th year 60%; 5th year 70%, 6th year 80%. The Combustor must be returned to your dealer along with a completed COMBUSTOR FAILURE REPORT and original proof of purchase document.

Limited (5) Year Warranty:

Under this warranty, Blaze King covers the stove body and accessories against defects in materials and workmanship, for part repair or replacement for the first five (5) years *** to the original purchaser. This Warranty covers: All Steel firebox components against defects in material and workmanship. Please see the exclusions and limitation section below as certain restrictions and exclusions apply to this warranty.

Limited Two (2) Year Warranty:

Under this warranty, Blaze King covers, fan assemblies and modular thermostat against defects in materials and workmanship, for part repair or replacement and limited labor for the first two (2) years to the original purchaser. Please see the exclusions and limitation section below as certain restrictions and exclusions apply to this warranty.

Limited One (1) Year Warranty:

Under this warranty, Blaze King covers all parts and materials against defects in materials and workmanship including exterior paint finishes, for part repair or replacement and limited labor for the first year to the original purchaser. Please see the exclusions and limitation section below as certain restrictions and exclusions apply to this warranty.

How the Warranty Works

1. All warranties by the manufacturer are set herein and no claim shall be made against the manufacturer on any oral warranty or representation. All claims under this Limited Warranty must be made in writing by your dealer.
2. Any stove or part thereof that is repaired or replaced during the Limited Warranty period will be warranted under the terms of the Limited Warranty for a period not exceeding the remaining term of the original Limited Warranty or six (6) months, whichever is longer.
3. For any part or parts of this stove, which in our judgment show evidence of defects, Blaze King reserves the option to repair or to replace the defective part(s) through an accredited distributor or agent, provided the defective part is returned to the distributor or agent, transportation prepaid, if requested.
4. If you discover a problem that you think may be covered by the Limited Warranty, you MUST REPORT it to your Blaze King dealer WITHIN 30 DAYS from the date the problem was first detected, giving them proof of purchase and the date of purchase. The dealer will investigate the problem and work with Blaze King to determine whether the problem:
 - a) Is covered by the Limited Warranty or
 - b) Can be fixed in your home or does the product need to be returned to Blaze King for repair.
5. If Blaze King determines that the stove needs to be returned to Blaze King for repair, the customer has the responsibility and the expense of removing it from their home and shipping it to Blaze King. If the problem is covered by the Warranty, Blaze King will repair or replace the item at their discretion and the customer will be responsible for return shipping and re-installation in their home.
6. If the problem is not covered by the Limited Warranty, the customer will be responsible for all repair costs, as well as all storage, shipping and the cost of removing and re-installing the stove.

If you are not satisfied with the service provided by the Blaze King dealer, write to Blaze King at the address listed on the last page of the Owner's Manual. Include a copy of the original purchase invoice and a description of the problem.

General Information—Warranty cont.

Exclusions and Limitations:

1. This Warranty does not cover tarnish, discoloration or wear on the plated surfaces. Painted finishes will change colour after initial firing and will continue to change through the lifetime of the stove. This is normal occurrence for all high temperature coatings.
2. This Warranty does not cover gasket material or firebrick.
3. Blaze King strongly recommends installation by a certified installer. Failure to comply may adversely affect coverage under the terms of this warranty. This Limited Warranty covers defects in materials and workmanship only if the product has been installed in accordance with local building and fire codes; in their absence refer to the owner's manual. If the product is damaged or broken as a result of any alteration, wilful abuse, mishandling, accident, neglect, or misuse of the product, the Limited Warranty does not apply.
4. The stove must be operated and maintained at all times in accordance with the instructions in the Owner's Manual. If the unit shows signs of neglect or misuse, it is not covered under the terms of this Warranty policy. Performance problems due to operator error will not be covered by the Limited Warranty policy.
5. Some minor expansion, contraction, or movement of certain parts and resulting noise, is normal and not a defect and, therefore, is not covered under this Limited Warranty.
6. Misuse includes over-firing. Over-firing can be identified later by warped plates and paint pigment being burnt off. Over-firing this appliance can cause serious damage and will nullify the Limited Warranty.
7. The Limited Warranty will cover glass thermal breakage only and will not cover misuse of the stove glass, including but not limited to:
 - a) Glass that is struck, has surface contaminates or has had harsh or abrasive cleaners used on it.
 - b) If the door is slammed or is closed while wood in the firebox is protruding out the stove opening thus striking the glass.
8. This warranty does not cover products made or provided by other manufacturers and used in conjunction with the operation of this stove without prior authorization from Blaze King. The use of such products may nullify the Limited Warranty on this stove. If unsure as to the extent of this Limited Warranty, contact your authorized Blaze King dealer before installation.
9. Blaze King will not be responsible for inadequate performance caused by environmental conditions.
10. The Limited Warranty does not cover installation and operational related problems such as use of downdrafts or spillage caused by environmental conditions. Environmental conditions include but are not limited to nearby trees, buildings, roof tops, wind, hills, mountains, inadequate venting or ventilation, excessive offsets, negative air pressures or other influences caused by mechanical systems such as furnaces, fans, clothes dryers etc.
11. The Limited Warranty does not cover damage caused by burning salt-saturated wood, corrosive driftwood, chemically treated wood or any fuel not recommended in the Owner's Manual (use cord wood only).

The Limited Warranty is void if:

 - a) The stove has been operated in atmospheres contaminated by chlorine, fluorine or other damaging chemicals.
 - b) The stove is subject to submersion in water or prolonged periods of dampness or condensation.
 - c) Any damage to the unit, combustion chamber or other components due to water, or weather damage which is the result of, but not limited to, improper chimney/venting installation.
 - d) Salt air in coastal areas or high humidity can be corrosive to the finish; these environmental conditions can cause rusting. Damage caused by salt air or high humidity is not covered by the Limited Warranty.
12. Exclusions to the Limited Warranty include: injury, loss of use, damage, failure to function due to accident, negligence, misuse, improper installation, alteration or adjustment of the manufacturer's settings of components, lack of proper and regular maintenance, alteration, or act of God.
13. The Limited Warranty does not cover damage caused to the stove while in transit. If this occurs, do not operate the stove and contact your courier and/or dealer.
14. The Limited Warranty does not extend to or include paint, door or glass gaskets or firebricks damage caused by normal wear and tear, such as paint discoloration or chipping, worn or torn gaskets, chipped or cracked firebrick, etc.
15. The Limited Warranty does not include damage to the unit caused by abuse, improper installation, or modification of the unit.
16. Damage to plated surfaces caused by fingerprints, scratches, melted items, or other external scores and residues left on the plated surfaces from the use of abrasive cleaners or polishes is not covered in this warranty.
17. Blaze King is free of liability for any damages caused by the stove, as well as inconvenience expenses and materials. The Limited Warranty does not cover incidental or consequential damages.
18. The Limited Warranty does not cover any loss or damage incurred by the use or removal of any component or apparatus to or from the Blaze King stove without the express written permission of Blaze King and bearing a Blaze King label of approval.
19. Any statement or representation of Blaze King Products and their performance contained in Blaze King advertising, packaging literature, or printed material is not part of the Limited Warranty.
20. The Limited Warranty is automatically voided if the stove's serial number has been removed or altered in any way. If the stove is used for commercial purposes, it is excluded from the Limited Warranty.

General Information—Warranty cont.

21. No dealer, distributor, or similar person has the authority to represent or warrant Blaze King Products beyond the terms contained within the Limited Warranty. Blaze King assumes no liability for such warranties or representations.

22. Blaze King will not cover the cost of the removal or re-installation of the stove, hearth, facing, mantels, venting or other components.

23. Labor to replace or repair items under this Limited Warranty will be covered per our warranty service fee reimbursement and labor rates are set per component schedule. Labor rates vary from location to location and as such total labor costs may not be covered. Please consult with your dealer or service technician for any additional charges such as travel time or additional labor charges that may apply.

24. For parts of the Blaze King woodstove or fireplace insert warranted beyond the first year, the five year limited warranty will have the same obligations as described in this document, provided, however that the purchaser shall pay the following percentage of the then current retail cost of the repair or the replacement, according to the year after purchase in the which the defect is brought to the attention of Blaze King.*** During the 2nd year----purchaser pays 20%.

3rd year ----purchaser pays 40%. 4th year -----purchaser pays 60%. 5th year---- purchaser pays 80%.

25. If a defect or problem is determined by Blaze King to be non warrantable, Blaze King is not liable for travel costs for service work. In the event of in-home repair work, the customer will pay any in-home travel fees or service charges required by the Authorized Dealer.

26. At no time will Blaze King be liable for any consequential damages which exceed the purchase price of the unit. Blaze King has no obligation to enhance or modify any stove once manufactured (example: as a stove model evolves, field modifications or upgrades will not be performed).

27. This Limited Warranty is applicable only to the original purchaser and it is non-transferable.

28. This warranty only covers Blaze King Products that are purchased through an authorized Blaze King dealer.

29. If for any reason any section of the Limited Warranty is declared invalid, the balance of the warranty remains in effect and all other clauses shall remain in effect.

30. The Limited Warranty is the only warranty supplied by Blaze King, the manufacturer of the stove. All other warranties, whether express or implied, are hereby expressly disclaimed and the purchaser's recourse is expressly limited to the Limited Warranty.

31. Blaze King and its employees or representatives will not assume any liability for damages, either directly or indirectly, caused by improper usage, operation, installation, servicing or maintenance of this stove.

32. Blaze King reserves the right to make changes without notice. Please complete and mail the warranty registration card and have the installer fill in the installation data sheet in the back of the manual for warranty and future reference.

33. Blaze King is responsible for stocking parts for a maximum of seven (7) years after discontinuing the manufacture or incorporation of the item into its products. An exception to this would be if an OEM supplier is not able to supply a part.

General Information—Approval Label

Warnock Hersey



BRIARWOOD II/90 INSERT

LISTED SOLID FUEL BURNING FIREPLACE INSERT

MODEL: BRII/90 Tested to : UL 1482-1998 / ULC S628-M93

CERTIFIED IN BOTH UNITED STATES AND CANADA

WH-

PREVENT HOUSE FIRES- Install and use only in accordance with Blaze King's installation and operation instructions. Install and use in a code complying fireplace only. Stainless steel flue liner is required in Canada and recommended in the United States. Contact local building or fire officials about restrictions and installation inspection in your area.

Minimum Clearances To Combustibles

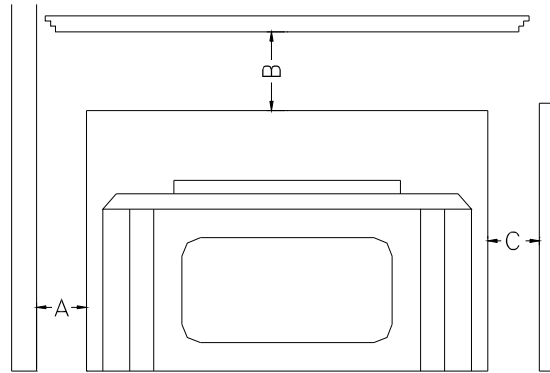
(Measured form Insert Shroud)

- A—Side to Combustible Wall 4 in / 102 mm
- B—Top to Mantel 10.5 in / 267 mm
- C—Side to Combustible Facing 1 in / 25 mm

FLOOR PROTECTION

If this unit is installed on a hearth that is flush with a combustible surface, then R1.1 protection is required for 19" in front of the door opening and 8" on the sides. If this unit is installed on a hearth elevated 3" or more from a combustible surface, then 18" of non-combustible floor protection is required in front of the door opening and 8" on the sides.

Electrical rating: 115 VAC, 60 Hz, 0.58 Amps. Risk of electrical shock. Disconnect power before servicing unit. Do not route power cord in front of or beneath heater.



Do not remove bricks or mortar in masonry fireplace. For use with solid wood fuel only. Do not use grate or elevate fire. Inspect and clean chimney frequently.

U.S. ENVIRONMENTAL PROTECTION AGENCY- Certified to comply with July, 1990 particulate emission standards.

***Operate with doors closed. Open door to feed fire ONLY. *Do not obstruct combustion air openings.**

*** Use only high temperature ceramic glass if replacement is necessary, 5 mm thick.**

For use with solid fuel only. Other fuels may cause a house fire or endanger your safety.

DO NOT OVERFIRE! IF HEATER OR CHIMNEY GLOWS YOU ARE OVERFIRING.

INSPECT AND CLEAN CHIMNEY FREQUENTLY. UNDER CERTAIN CONDITIONS OF USE, CREOSOTE BUILDUP MAY OCCUR RAPIDLY.

CAUTION: HOT WHILE IN OPERATION. DO NOT TOUCH. KEEP CHILDREN, CLOTHING AND FURNITURE AWAY. CONTACT MAY CAUSE SKIN BURNS. READ THIS LABEL AND INSTRUCTION MANUAL BEFORE OPERATING HEATER.

MANUFACTURED IN:

USA:

Blaze King Industries
146A Street
Walla Walla, WA.
99362

Canada:

Valley Comfort Systems
1290 Commercial Way
Penticton, B.C.
V2A 3H5

MANUFACTURE DATE

JAN	FEB	MAR	APR	MAY	JUN
JUL	AUG	SEP	OCT	NOV	DEC
2001	2002	2003	2004	2005	2006

0165 Rev 08/2001

General Information—Safety

BRIARWOOD Model BR11/90 - Fireplace Insert Residential Approved

Briarwood Room Heaters have been developed, tested and constructed in accordance with the requirements of UL 1482-1998 / ULC S628-M93. Safety testing was performed by Intertek Testing Services laboratories. These units are designed as safe and efficient, solid fuel burning heaters, but they must be installed and operated properly. This manual describes the installation and operation of your new stove; Carefully read and follow all of the requirements and instructions included.

This heater meets the U.S. Environmental Protection Agency's emission limits for non-catalytic wood heaters built on or after July 1, 1990. Under specific test conditions this heater has been shown to deliver heat at rates ranging from 10,600 - 36,000 BTU/Hr.

We strongly recommend that you hire a licensed installer to properly install your Briarwood stove. In the USA technicians are certified by the Hearth Products Association, in Canada technicians are certified by WETT.

Contact your local building inspector before your installation begins to ensure that you comply with all local building and fire codes. Have your installation safety inspected before you put your stove into operation.

SAFETY NOTICE:

IF THIS HEATER IS NOT PROPERLY INSTALLED, A HOUSE FIRE MAY RESULT. FOR YOUR SAFETY, FOLLOW THE INSTALLATION INSTRUCTIONS. CONTACT LOCAL BUILDING OR FIRE OFFICIALS ABOUT RESTRICTIONS AND INSTALLATION REQUIREMENTS IN YOUR AREA.

WARNING!

MOST HOME FIRES CAUSED BY WOODBURNING STOVES ARE THE RESULT OF IMPROPER INSTALLATION AND OPERATION.

READ ALL INSTRUCTIONS THOROUGHLY BEFORE INSTALLING AND OPERATING YOUR Briarwood II STOVE.

SAVE THESE INSTRUCTIONS.

SAFETY PRECAUTIONS:

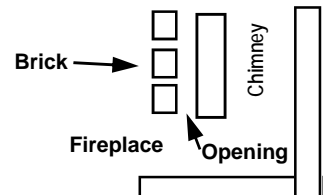
1. Consult your local building inspector to ensure compliance with building and fire codes.
2. Design your installation with safety as the primary consideration.
3. Finish the installation completely before putting your stove into operation.
4. Use only prescribed material for your installation.
5. Use floor protection which meets the minimum measurements and clearances as shown on page 12 (must be installed with the heater).
6. The Briarwood stove is designed for burning wood only.
7. Carefully supervise youngsters when they are in the same room with the stove. Create a safety zone around the stove where children may not enter,
8. When burning properly the stove will be hot and can ignite objects such as clothing and curtains that may come in contact with it. Keep furnishings and any other combustibles away from the heater.

WARNING: BE ABSOLUTELY SURE THAT THE DISTANCE BETWEEN THE HEATER AND ANY COMBUSTIBLE MATERIAL IS NOT LESS THAN THAT SHOWN ON THE APPROVAL LABEL.

9. Be sure everyone is aware of high surface temperatures and avoid contact with skin or clothing and combustible items to avoid ignition.
10. Do not dry clothing on or near the stove.
11. Do not let anyone operate the stove who is not familiar with its operation. .
12. **NEVER USE CHEMICALS, GASOLINE, GASOLINE TYPE LANTERN FUEL, KEROSENE, CHARCOAL LIGHTER FLUID OR SIMILAR LIQUIDS TO START OR "FRESHEN UP" A FIRE IN THIS HEATER. KEEP ALL SUCH LIQUIDS WELL AWAY FROM THE HEATER WHILE IT IS IN USE.**

General Information—Safety

13. Provide for adequate fresh air supply in the room while the stove is in operation.
14. Do not leave the house unattended for long periods of time when the stove is in operation.
15. Make sure pipe connections cannot accidentally come apart by using sheet metal screws to secure pipe connections.
16. Clean your chimney and associated components regularly. Do not allow excessive build-up of ashes in the stove, or allow ashes to spill from the stove when the door is opened.
17. Check masonry chimneys for cracks which may allow back-puffing and fumes to re-enter the house. Inspect for excessive creosote build-up frequently.
18. Have your stove installation safety inspected before you build a fire in it the first time.
19. If you cook on your stove top, have a proper fire extinguisher close at hand to extinguish grease fires. Never use water to control a grease fire. Also be careful to keep handles on pots and pans from extending beyond the stove where they may be accidentally knocked over.
20. Install a smoke detection alarm system, and a CO (carbon monoxide) detector in your home. Smoke detectors should not be installed in front of the stove as small spills of smoke may set them off.
21. Every home should have a fire extinguisher. Consult local fire officials or an authorized fire extinguisher company for proper equipment. Ensure all residents know its location and how to use it.
22. For further information on using your heater safely, obtain a copy of the National Fire Protection Association publication, "Using Coal and Wood stoves Safely", NFPA Number HS-6-1974. The address of the NFPA is: 470 Atlantic Avenue, Boston, MA 02210.
23. For further information, refer to NFPA 211.
24. Do not over fire your woodstove. Although the Briarwood II is designed to heat efficiently, it should never be fired to a red-hot condition.
25. This heating appliance is not to be connected to any "Air Distribution Duct".
26. Do not store firewood, kindling or any other combustible materials within the clearances on this stove. See page 12 or the label on the stove for clearance information.
27. This stove must not be operated with the loading door open, other than for loading fuel. Operating this stove with the loading door open could cause a house fire or personal injury.
28. Striking or slamming the loading door, resulting in the glass breaking, will be considered abuse and will void the warranty.
29. This stove shall not be operated with cracked or broken glass.
30. Do not clean glass while it is hot. Do not clean glass with abrasive cleaners.
31. If replacement parts are required, substitute materials are prohibited and will void your warranty.
32. Do not use fuels in this stove other than solid wood. Use of other fuels such as coal, charcoal or others, will void your warranty and may result in damage to the stove, a house fire or personal injury.
33. Never remove brick or mortar from fireplace or chimney. Install warning plate—see bottom of page 12.
34. Compromises made during installation of chimney liner may jeopardize safety or cause a house fire.
35. The installer must permanently seal any opening between the masonry of the fireplace and the facing masonry (see figure to the right).
36. **SAVE THESE INSTRUCTIONS.**



THE INFORMATION CONTAINED HEREIN IS BELIEVED TO BE ACCURATE. HOWEVER, NO RESPONSIBILITY FOR ERRORS OR OMMISIONS IS ASSUMED BY BLAZE KING INC.

General Information—Maintenance

REMOVABLE BAFFLE PLATE

The baffle is the part of the stove that receives the most heat. For this reason, as well as for chimney cleaning ease, it was designed for easy removal. Remove the screws on each side of baffle and the bolt from the rear center of the stove, this will allow the baffle to slide forward and out. The baffle plate may be damaged by over firing and burning improper fuels. Baffle plate damage is not covered by warranty. To order replacement baffles please call your dealer with the model and serial number of your stove.

GASKET REPLACEMENT

Door gasket: Inspect gaskets frequently for leakage and deterioration. To replace damaged gasket, first remove old gasket and clean channel thoroughly. Apply stove gasket adhesive in channel and press the **7/8" dense fiberglass rope gasket** into channel, (begin and end in lower right corner ensuring a tight fit where the two ends join). Close door tightly and fire the stove to set the seal. The door latch is adjustable if necessary. Visually inspect periodically throughout the heating season to ensure an airtight seal.

GLASS REPLACEMENT

Do not slam the loading door or otherwise impact the glass. If the glass gets cracked or broken, it must be replaced before using the stove. Replacement parts can be obtained from your authorized Blaze King dealer. The glass is a 5mm high temperature ceramic. Substitute materials are not permitted. As a general rule, whenever you replace the glass on your stove, your gaskets should be replaced as well. To replace the glass you must let your stove cool down first. Never handle a hot door or hot glass. After the door and glass is cool to touch, remove the door from the stove. Remove the door gasket, glass retainer, gasket and the old glass. Use caution when handling broken glass, it can be very sharp. Install the new glass, complete with gasket, in your door. Please ensure that the glass retainer is properly secured to the door to provide a good seal. Do not over-tighten the screws as this can damage the glass. To learn more about replacing your door gasket, read the above section on gasket replacement.

ASHES

Your stove works best when you consistently maintain a good bed of coals, A wood fire burns best with about a half inch of ashes. Remember to periodically clean out excessive ash build-up.

Disposal of ashes: Ashes should be placed in a sealed non combustible container until they are thoroughly cooled. The closed container of ashes should be placed on a non-combustible material pending final disposal. Once they are cooled they can be disposed of by burial in soil or other suitable methods.

WET OR GREEN FUEL

Wet or green fuel should not be used. Wood should be cut into pieces and allowed to air dry for several months before attempting to burn it. After the wood supply is cured (dry), ensure it is protected from rain and snow so that moisture is not absorbed. If you do add wet or green fuel to an existing fire, open the draft control to intensify the fire and burn off moisture. When completed return the draft control to desired operating position. You will not get much heat output from your stove while burning green or wet fuel because a large amount of the energy produced by the fire is used to evaporate the moisture from the fuel load. This energy is wasted and will not come into your home. **REMEMBER, WET OR GREEN FUEL CAUSES INCREASED CREOSOTE FORMATION.**

CREOSOTE - Formation and Need for Removal

When wood is burned slowly, it produces tar and other organic vapors. These vapors combine with expelled moisture to form creosote. The creosote vapors condense in the relatively cool chimney flue of a slow burning fire. As a result, creosote residue accumulates on the flue lining. When ignited this creosote makes an extremely hot fire.

The chimney connector and chimney should be inspected at least once every two months during the heating season to determine if a creosote buildup has occurred.

IF CREOSOTE HAS ACCUMULATED IT SHOULD BE REMOVED TO REDUCE THE RISK OF A CHIMNEY FIRE.

Creosote build-up may be minimized by using dry, seasoned wood, especially hardwoods. Avoid burning green wood at any time, but especially during periods of extended, low temperature burning, such as overnight. Recommended burning practices also reduce creosote build-up. It has been found that opening the draft controls to allow the fire to burn freely for 3- 4 hours in your stove each week will cut down on creosote build-up. Open the draft controls each time fuel is added and allow the fire to flare up a few minutes before closing the draft controls again. After an overnight burn, opening up the draft controls and allowing the fire to burn hot for five or ten minutes with dry kindling is also helpful.

Remember, these practices are to reduce creosote build-up. If creosote has built up already, have the chimney cleaned immediately. If a creosote fire should develop close the air intake, call the fire department immediately, and ensure that all persons are out of the house and safe. After a severe chimney fire, the complete chimney system and connecting pipes must be checked by a qualified person before further use.

Installation—Location & Clearances

YOUR STOVE'S LOCATION

1. Plan ahead to be certain that furniture, drapes and curtains cannot come within the combustible clearances listed on the table below.
2. Refer to the approval label on the stove for correct clearances to combustibles.
3. This stove must be connected to a chimney. It must be vented to the outside. Never permit your stove to ventilate itself into any room in the building.
4. Consult illustrations below and the approval label to ensure that you install your stove the proper minimum distances from combustible materials.
5. Minimum fireplace size is 28" (w) x 22" (h) x 14" (d)

NOT APPROVED FOR MOBILE HOME INSTALLATION

Minimum Clearances To Combustibles

(Measured from Insert Shroud)

A—Side to Combustible Wall

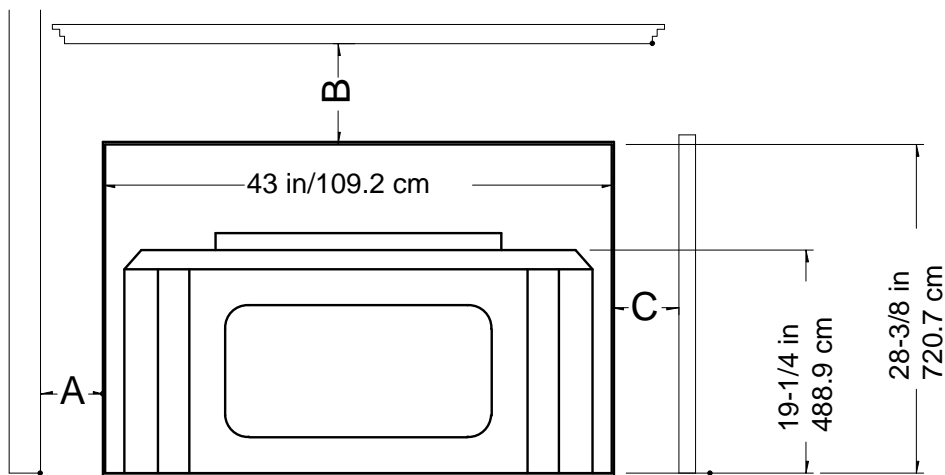
4 in / 102 mm

B—Top to Mantel

10.5 in / 267 mm

C—Side to Combustible Facing

1 in / 25 mm



FLOOR PROTECTION

If this unit is installed on a hearth that is flush with a combustible surface, then R1.1 protection is required for 19" in front of the door opening and 8" on the sides. If this unit is installed on a hearth elevated 3" or more from a combustible surface, then 18" of non-combustible floor protection is required in front of the door opening and 8" on the sides.

BEFORE YOU PUT YOUR STOVE IN PLACE, YOU MUST ATTACH THE WARNING PLATE THAT WAS INCLUDED WITH YOUR STOVE (SHOWN TO THE RIGHT). THIS LABEL PLATE MUST BE ATTACHED TO THE INSIDE WALL OF YOUR FIREPLACE.

This fireplace has been altered to accommodate a fireplace insert and should be inspected by a qualified person prior to re-use as a conventional fireplace.

Installation—General

BRIARWOOD II INSERT STOVE INSTALLATION PROCEDURE

AFTER YOU READ AND FULLY UNDERSTAND THE MATERIAL IN THIS MANUAL, YOU ARE READY TO PROCEED WITH THE INSTALLATION OF YOUR STOVE.

SAFETY NOTICE: IF THIS HEATER IS NOT PROPERLY INSTALLED, A HOUSE FIRE MAY RESULT. FOR YOUR SAFETY, FOLLOW THE INSTALLATION DIRECTIONS. CONTACT LOCAL BUILDING OR FIRE OFFICIALS ABOUT RESTRICTIONS AND INSTALLATION REQUIREMENTS IN YOUR AREA.

Before beginning the installation, thoroughly clean and inspect the fireplace and chimney you are using. Professional assistance is recommended. Your local certified installer should be contacted to provide installation and inspection services. Check the fireplace and insert dimensions to ensure the insert will fit properly. Keep the required clearances in mind when planning your installation. page 12 of this manual.

To ensure safe proper operation, Listed Stainless Steel Flue Liners are required for installation in Canada and recommended in the United States. Check your local codes and regulations before installing.

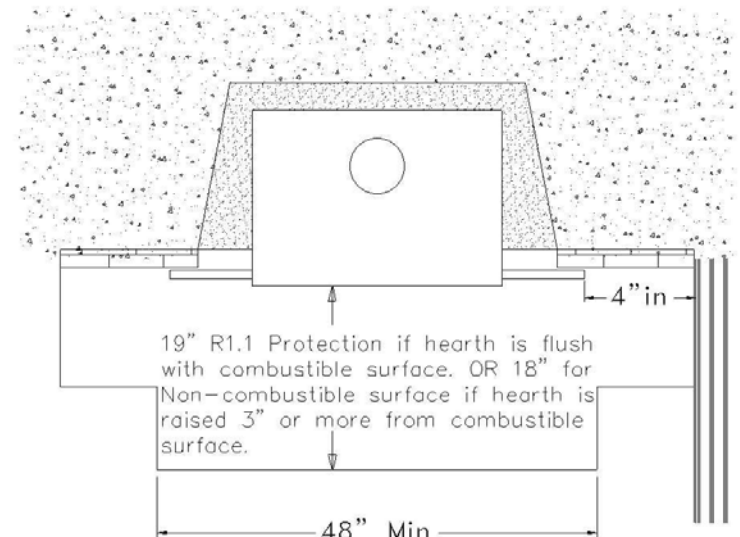
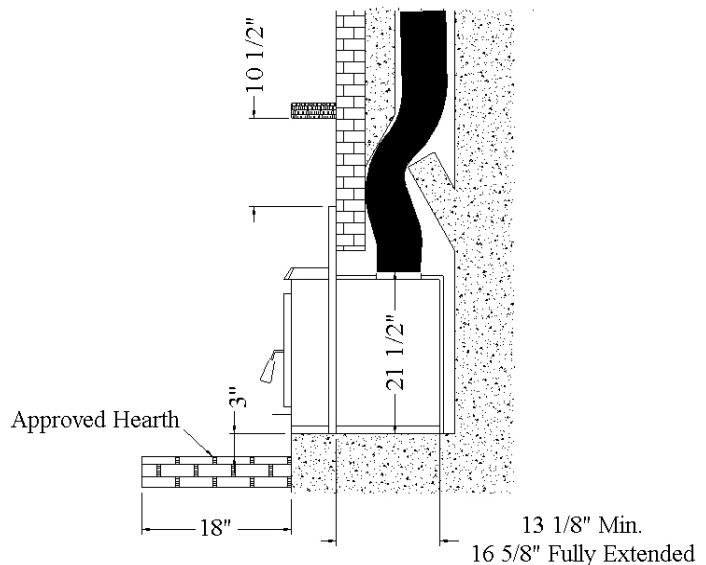
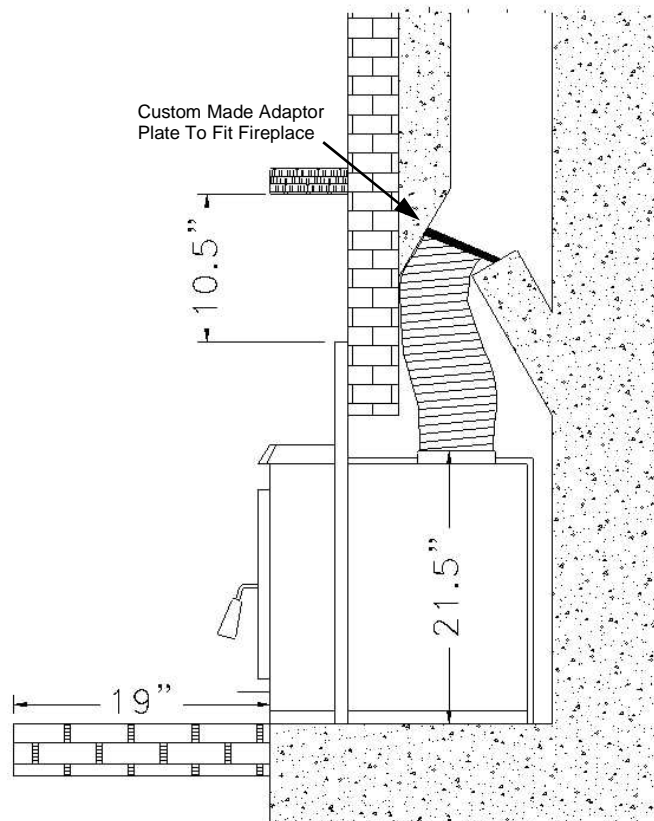
BRIARWOOD II OPTIONAL COMPONENTS

Your Briarwood Insert is listed for use with the following components:

Z1514B - Optional Fans

Z0845C - Shroud Trim

ZBR561G - Gold Door Trim



Installation—General

INSTALLATION INTO FACTORY BUILT FIREPLACES

In addition to the general instructions presented throughout the manual you must take care to ensure the following steps are correct when installing this insert into a factory built fireplace.

- 1) The factory built fireplace must be listed per **UL127** or **UL S620**.
- 2) All clearances to combustibles must be maintained as shown on the label.
- 3) The installation must include a full-length liner, which is attached to the insert and to the chimney cap.
- 4) Means must be provided to prevent room air passage to the chimney cavity of the fireplace. This may be accomplished by sealing the damper area around the chimney liner, or sealing the fireplace front.
- 5) The airflow within and around the fireplace shall not be altered by the installation of the insert (i.e.: no louvers or cooling air outlet ports are blocked).

No alterations of the factory built fireplaces are allowed except as follows:

- a) External trim which does not affect the operation of the fireplace may be removed providing it can be stored on or within the fireplace for reassembly if the insert is removed.
 - b) The chimney damper may be removed to install the chimney liner.
- 6) Circulating air chambers in a steel fireplace liner or metal heat circulator shall not be blocked.
 - 7) Means must be provided for removal of the insert to clean the chimney flue.
 - 8) If the insert protrudes from the front of the fireplace a supporting means must be installed and all clearance requirements met.
 - 9) A permanent metal warning label must be attached to the back of the fireplace stating that the fireplace must be restored to the original condition for safe use without the insert.

CHIMNEY INSTALLATION:

CHIMNEYS: FACTORY-BUILT FIREPLACE

In Canada and in the U.S.A.: If the insert is installed into a factory built fireplace the chimney must be lined from the outlet of the insert to the top of the chimney with a Stainless Steel liner which meets **UL1777** or **ULC S635**. The liner must be securely attached to the insert and the chimney top.

CHIMNEYS: MASONRY FIREPLACE

In Canada: A code approved masonry chimney with a 6" listed stainless steel flue liner system and the accompanying vent connector is required.

In U.S.A.: A code approved masonry chimney, with appropriate vent connector extending from the flue collar of the stove to the first chimney flue liner and adaptor plate, is required.

A full length listed flue liner system with vent connector is recommended for all installations.



Installation—Chimney

CHIMNEYS: GENERAL

Refer to the chimney and chimney connector manufacturer's instructions for additional information. If this stove and its chimney components are not properly installed, a house fire may result. For your safety, follow the installation directions. Contact local building or fire officials about restrictions and installation requirements in your area.

We recommend that your chimney should be at least the same dimension (inside diameter) as the flue of your stove. If you plan to use an existing masonry chimney, be sure it is free of cracks and loose joints. Gases traveling through a chimney reach extremely high temperatures. Cracks or loose mortar can allow hot gases to reach the wood portion of the structure surrounding the chimney. These toxic gases may also re-enter the house through cracks and small holes in the chimney, or cause back-puffing which will result in excessive smoking. Be on the safe side and have your chimney inspected by a certified chimney sweep. A 6 inch stainless steel chimney liner with a direct connection to the stove is recommended for masonry chimney installations.

A chimney must reach at least three feet above the highest point where it passes through the roof and at least two feet higher than any portion of the building within ten feet of the chimney. Smoke travels up the chimney in a circular, spiraling motion. A 6 inch round stainless steel liner allows the smoke to travel with less resistance. A rough masonry chimney without a good smooth liner will cause creosote to build up quickly.

Check all local codes and regulations regarding your installation before you begin.

***** DO NOT CONNECT THIS UNIT TO A CHIMNEY FLUE SERVING ANOTHER APPLIANCE. *****

CHIMNEY DRAFT

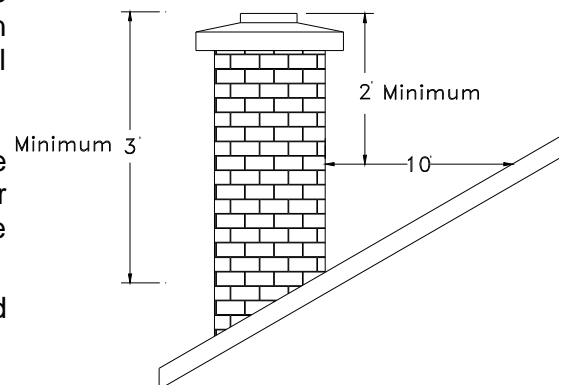
Draft is the force which moves air from the appliance up the chimney and pulls fresh, oxygen-rich air into the combustion chamber. Your stove cannot force smoke up the chimney but rather your chimney must always "suck" the smoke out of your stove. The smoke will always try to go to the area of lowest pressure. The amount of draft in your chimney depends on the length of the chimney, local geography, nearby obstructions, and other factors.

Inadequate drafting may cause back puffing into the room and plugging of the chimney. Inadequate draft may also cause the appliance to leak smoke into the room through the appliance and chimney connector joints.

Failure to build a steady burning fire can be due to inadequate chimney draft. In most instances if the stove is vented into an exterior masonry chimney and the draft is inadequate you will need to line the outside chimney with a stainless steel liner.

Too much draft can cause excessive temperatures in the appliance and may damage the unit. An uncontrollable burn or glowing red stove part or chimney connector indicates excessive draft.

Excessive draft can also create over firing, short burn times and damage to internal components.



Operation—General

ANDIRONS OR GRATES - (Not For Use On The Briarwood Insert)

Briarwood Stoves are designed for the burning of wood directly on the firebrick. Highest efficiencies and burn characteristics are obtained when a half-inch bed of ashes is maintained in the firebox.

STARTING YOUR FIRST FIRE (Curing Your Stove Paint)

Curing your stove will give off fumes so make sure you provide extra ventilation by opening a door or window during the curing process. There will also be some paint odor during your first few fires. To cure the paint on your stove you should build a small kindling fire, let it die down; build another fire, slightly larger, let it die down; build yet another fire, slightly larger. Your stove should be fairly hot by this point. Do not over fire your woodstove for the next few fires. This should sufficiently cure the paint. If you should have any blistering or peeling of paint, the area can be sanded down and repainted with high temperature stove paint, available in aerosol cans from your local dealer.

NOTE: The paint is not covered by the warranty.

STARTING A FIRE

"DO NOT TAMPER". It is against the law to alter this wood heater. This heater is designed for clean burning in accordance with rules and regulations of the U.S. Environmental Protection Agency. "It is against the law to operate this wood heater in a manner inconsistent with operating instructions in this manual."

CAUTION: NEVER USE GASOLINE, LANTERN FUEL OR KEROSENE, CHARCOAL LIGHTER FLUID OR SIMILAR LIQUIDS TO START OR FRESHEN UP A FIRE IN THIS HEATER. KEEP ALL FLAMMABLE LIQUIDS A SAFE DISTANCE FROM YOUR STOVE.

1. Make sure the draft control is on the high setting, see illustration below. Clean any coals away from the starter manifold at the front of the firebox as they may create an obstruction of starter air to the fuel.
2. Place several pieces of "wadded up" or "balled" paper in the firebox.
3. Place several pieces of small, dry, finely split kindling on the paper.
4. Light the paper in several places and hold the door partially open (usually 1-2 inches) until the kindling is ignited adequately to sustain combustion with the door closed. Never leave the stove unattended unless the door is properly closed and latched.
5. Allow the fire to burn until an adequate bed of coals is formed.
6. You may now place several larger pieces of wood on the fire. In order to insure complete combustion of the organic compounds released from the wood, load the fuel as far back in the firebox as possible. The charcoal bed can be sloped slightly towards the rear so that the fuel does not tend to fall forward. Close the door with the draft control open until a robust fire occurs.
7. Operate on high setting for at least 5 minutes or until combustion will sustain at starter manifold before closing draft to desired setting. After refueling operate with blower "off" for at least 30 minutes.



Draft Control

CONTROLS

This stove is equipped with a combustion air control (draft control) located beneath the door opening. This control regulates the heat output and burn time of the stove. Closing the setting restricts the incoming combustion air for minimum heat output and maximum burn duration. The further open the setting, the faster the fuel will burn and the higher the heat output.

This heater is designed to burn natural cord wood only. Higher efficiencies and lower emissions generally result when burning air dried seasoned hardwoods, as compared to softwoods or too green or freshly cut hardwoods.

DO NOT BURN

Do not burn treated wood, solvents, coal, colored paper, garbage, trash, cardboard, board ends, plywood, composite boards, etc...

CAUTION: Do not burn board ends, kiln dried lumber, etc. for other than kindling purposes. Extended use may damage the stove and void warranties.

HEAT OUTPUT

The heat output of this stove depends on the type and dryness of wood used. It also depends on the size of the chimney and amount of available combustion air entering the wood stoves.

DO NOT OVER FIRE YOUR HEATER

Although your woodstove has been designed to heat efficiently and operate at high temperatures, it is meant to supplement other heating means in your home, **and it should never be fired to a red hot condition.** Once the woodstove is in use, it should be checked frequently to be sure that it is operating at the temperature range you have selected.

Assembly—General

Assembly Instructions for Briarwood II/90 Insert

Be sure you check with your local building inspector, fire inspector or other local authorities having jurisdiction in your area before you begin installation. Local building and fire codes may affect this installation. This insert is certified only for installation into a masonry fireplace which has been carefully inspected and is in good condition.

Blaze King recommends that you use a qualified Blaze King installer to assemble and properly install your Briarwood insert. Technicians are certified by the HPA in the USA and by WETT in Canada.

To prevent damage while sliding the heavy insert in and out of the fireplace opening remember to protect your hearth.

- 1] Carefully remove and inspect the insert parts from the shipping packages. Ensure there is no freight damage and you have all the parts required.
- 2] Remove the 4 bolts in the back of the shield box, remove the 5 #10 screws from the top of the shield box and slide the shield box off of the firebox.
- 3] Place the outer shield box (Fig. 6) into your fireplace opening and ensure that the bottom of the box is level with or slightly higher than your hearth. Use only non-combustible material to fill any space under the shield box. Exact placement of the shield box is determined by the overall shape of your fireplace and will be established in the next steps
- 4] IF YOU HAVE PURCHASED THE OPTIONAL GOLD TRIM KIT INSTALL THE TRIM BEFORE PROCEEDING TO THE NEXT STEP. PROCEED TO "OPTIONAL INSTALLATION INSTRUCTIONS" ON THE NEXT PAGE .
- 5] The shroud (fig 8) is shipped with the side extensions removed, they must be assembled on the shroud at this time. To attach the side extensions place the short side of the "L" shaped extension against the back of the shroud and attach with 3 screws (see Fig. 5 for correct placement of side extensions). Slide the shroud (fig 8) complete with the side extensions (fig 4) into the shield box. The side extensions (fig 4) and the inside flange on the shroud, must slide inside the shield box.
- 6] Slide the assembly in until the shroud (fig 8) is against the front face of the fireplace. The shield box is adjustable to fit most fireplaces and flues. When the shield box is in the best location proceed to the next step.
- 7] When you are sure of the correct placement, secure the side extensions to the shield box using 3 sheet metal screws through the pre punched holes in the shield box. Note: you will have to pre-drill 1/8" holes in the side extensions using the shield box holes as templates.
- 8] While you have the shroud in place measure carefully to ensure you have adequate minimum clearances to all combustible material. Clearances to combustibles are listed on the appliance label.
- 9] Disassemble the shroud (fig 8) from the side extensions (fig 6) and carefully set the shroud aside. The shield box is now sitting at its final position and the side extensions are firmly attached to the shield box.
- 10] Remove the shield box assembly, (which now has the side extensions (fig 4) attached to it), from the fireplace opening. Leave the side extensions (fig 4) securely attached to the shield box (fig 6) in the correct position as established in step 7.
- 11] Slide the firebox (fig 7) into the shield box (fig 6) and attach it to the firebox using 4 bolts and washers through the back of the shield box. It may be necessary to remove the shield box top to allow the firebox flue collar to slide into the shield box. Replace the shield box top when the firebox is in place inside the shield box.
- 12] Your insert comes without a fan. An electrical harness is provided for future installation. (Note: It is necessary to use the grommets where the wire passes through the holes on each of the shroud parts to avoid damage to the wire.) IF YOU PURCHASED THE OPTIONAL FANS GO TO "OPTIONAL INSTALLATION INSTRUCTIONS" ON THE NEXT PAGE BEFORE PROCEEDING TO INSTALL THE FANS.
- 13] If you have not purchased the optional fans you must now install the fan housing pieces (fig. 1). The housing attaches with 2 screws top & bottom with the large round hole facing out.
- 14] Blaze King strongly recommends that you install a complete Stainless Steel flue liner system. This is the safest installation and will ensure proper draft control for best burn conditions and consistency.
- 15] If you have the flue liner installed check to ensure it is the proper length etc. If you decide to use an adapter plate in the throat of your existing fireplace you should install it at this time and install the connector pipe as required. You must follow all local building and fire codes regarding this installation. Proceed only after you have completed the required work on the flue system.
- 16] Carefully slide the complete assembly (firebox mounted inside the shield box) into the fireplace opening at the same position as previously determined. The unit weighs approx. 300 lbs. and you will require help. Be careful not to damage the wire running around the back of the box by allowing it to get pinched under the shield box as you slide the assembly into the fireplace opening. You will need to protect the hearth so it does not get damaged when sliding the unit in or out.
- 17] Connect the flue system to the insert firebox flue collar using three sheet metal screws. Place a bead of furnace cement around the flue collar connection and ensure the flue pipe is properly connected, secured and sealed.
- 18] Re install the shroud front and carefully adjust the firebox placement to ensure the required fit around the shroud and against the fireplace facing. When sliding the shroud into place ensure that the rear flange on the shroud goes under the top of the shield box. Attach the shroud to the side extensions using three sheet metal screws and flat washers on each side. (Fig 8)
- 19] Install the fan front covers (fig 2), attach rheostat knob if fan kit installed, and connect the AC cord as required. See electrical diagrams (Fig 11).
- 20] Install the shroud lid (fig 3) using four sheet metal screws to attach it to the shroud and the fan covers.
- 21] Install the hearth protection in front of your insert as required by the minimum clearances noted on the appliance safety label. Do not fire your insert unless you have the proper clearances and protection of combustible material as required by the safety label.
- 22] Recheck your installation carefully. Have your installation inspected by the authority having jurisdiction. See the operation manual for firing instructions and have a nice cozy winter.

Assembly—General / Optional

OPTIONAL INSTALLATION INSTRUCTIONS

Optional Gold Trim Installation:

Assemble the trim strips as shown in (fig 12) and attach to the shroud outer edge using the screws provided. Return to step 4 and continue the installation.

Optional Fans Installation: (Note: The following instructions pertain to both fans on the left and right sides of the stove.)

1. Determine which side of the stove the power cord for the fan should be located.
2. Install a grommet in the 5/8" hole on each side of the shroud. Install a grommet in the bottom 5/8" hole of the fan housing piece (Fig. 1 on page 19) which will contain the rheostat.
3. Slide the wires, which are attached to the shield box, through the grommets on the shroud. Note: It may be easier to slide the wire with the larger male connector through first.
4. Install Bomax fan (with printing on fan right side up) and finger screen (Fig. 21). The fan attaches from the front, to the fan housing, with the finger screen attaching under the outside with 2 fan mounting screws. The screen will need to be bent to act as a finger protector (Fig. 21).
5. Mount the rheostat, with 2 screws, as shown in Fig. 21. Connect the green ground wire by using the green screw & star washer provided. Be sure to place the star washer between the round lug & the frame of the housing. Insert a wire, from the rheostat, with a male connector and a wire with a female connector through the grommet in the fan housing. Connect these 2 wires to the male and female connectors on the shield box wiring harness. Connect the remaining male & female connectors to the fan. Connect shield box wiring harness, on other side of unit, to fan on other side using same method.
6. Proceed to step 13 on page 17.

See the electrical diagram (Fig 11 on page 19) for electrical connection.

Note: the fans are connected in parallel.

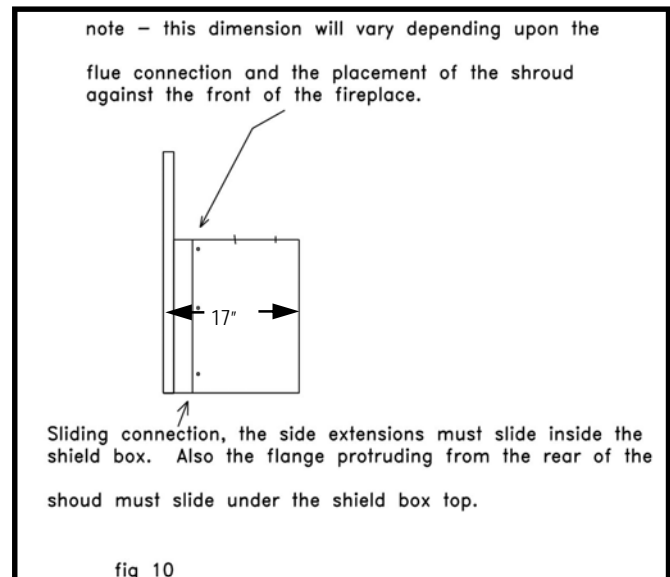
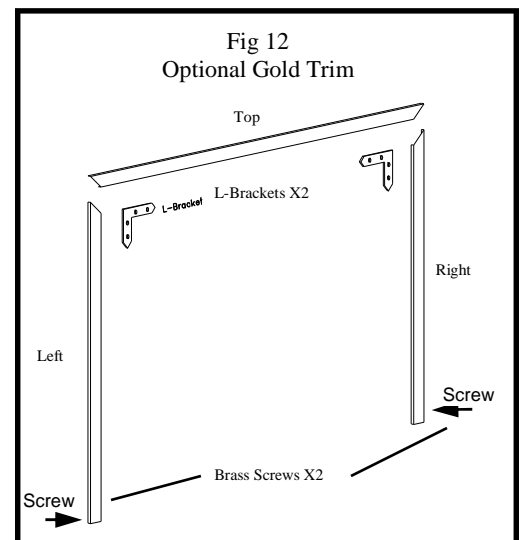


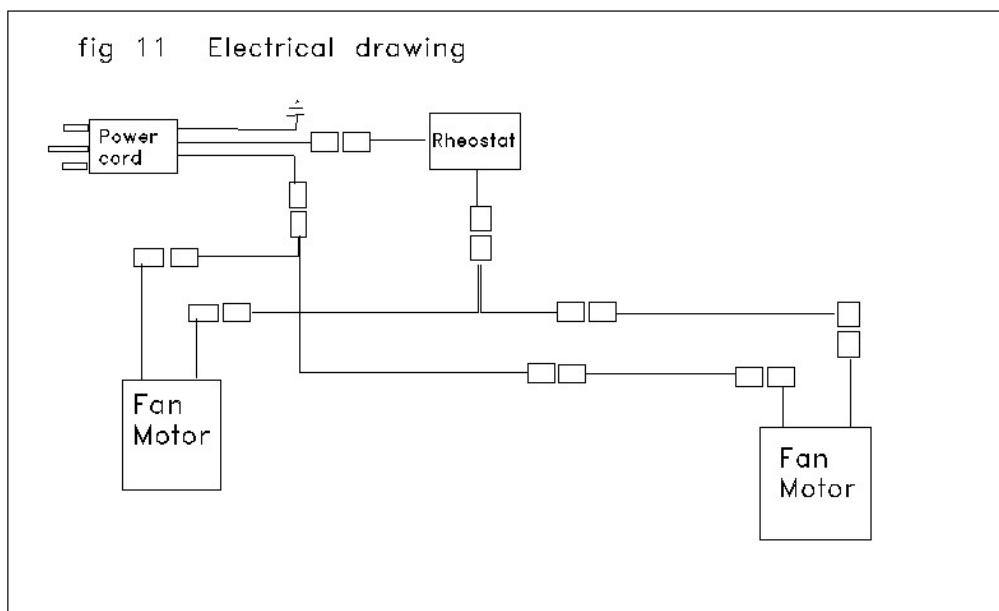
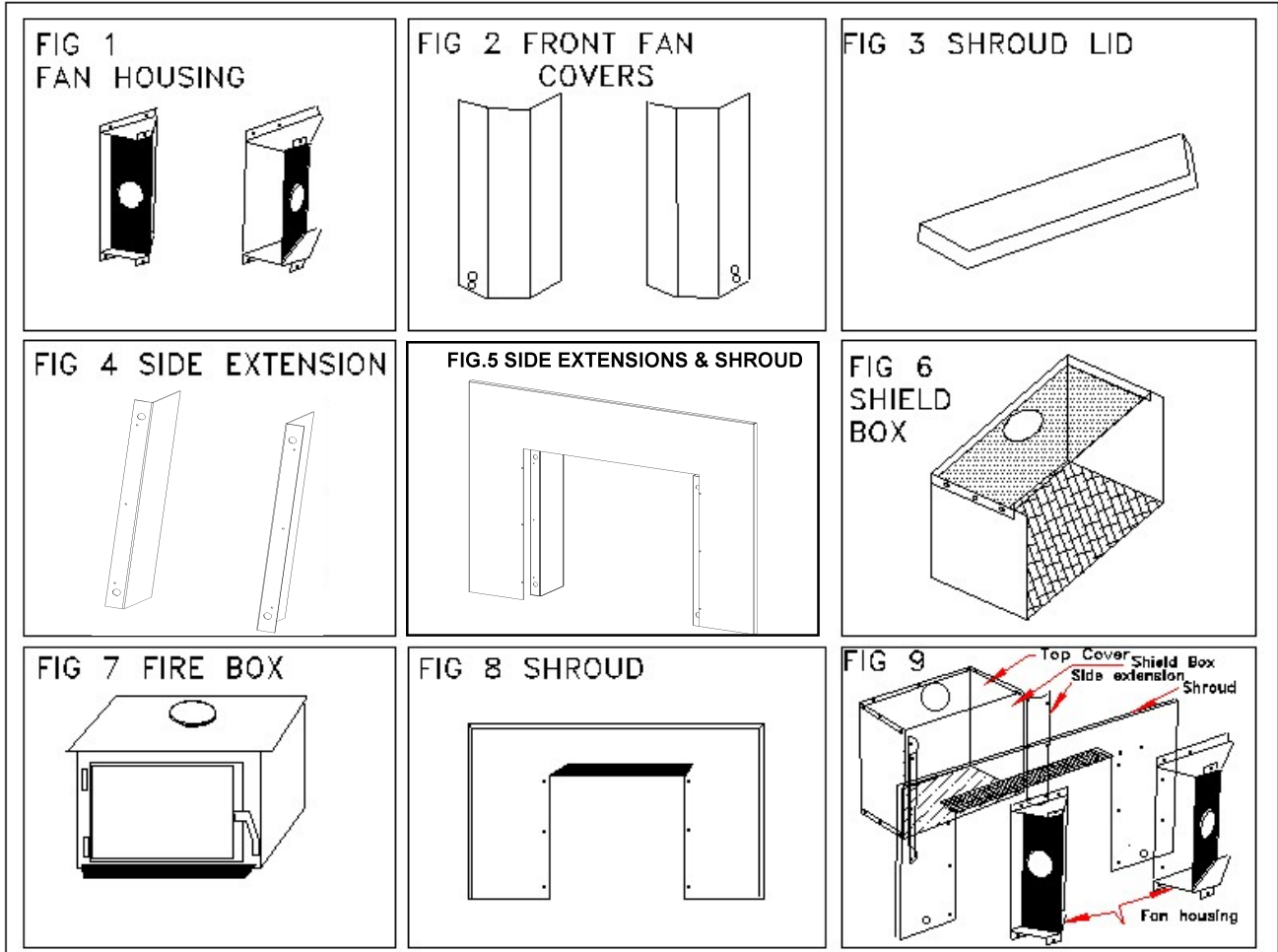
Fig 20



Fig 21



Assembly—Diagrams



NOTES
