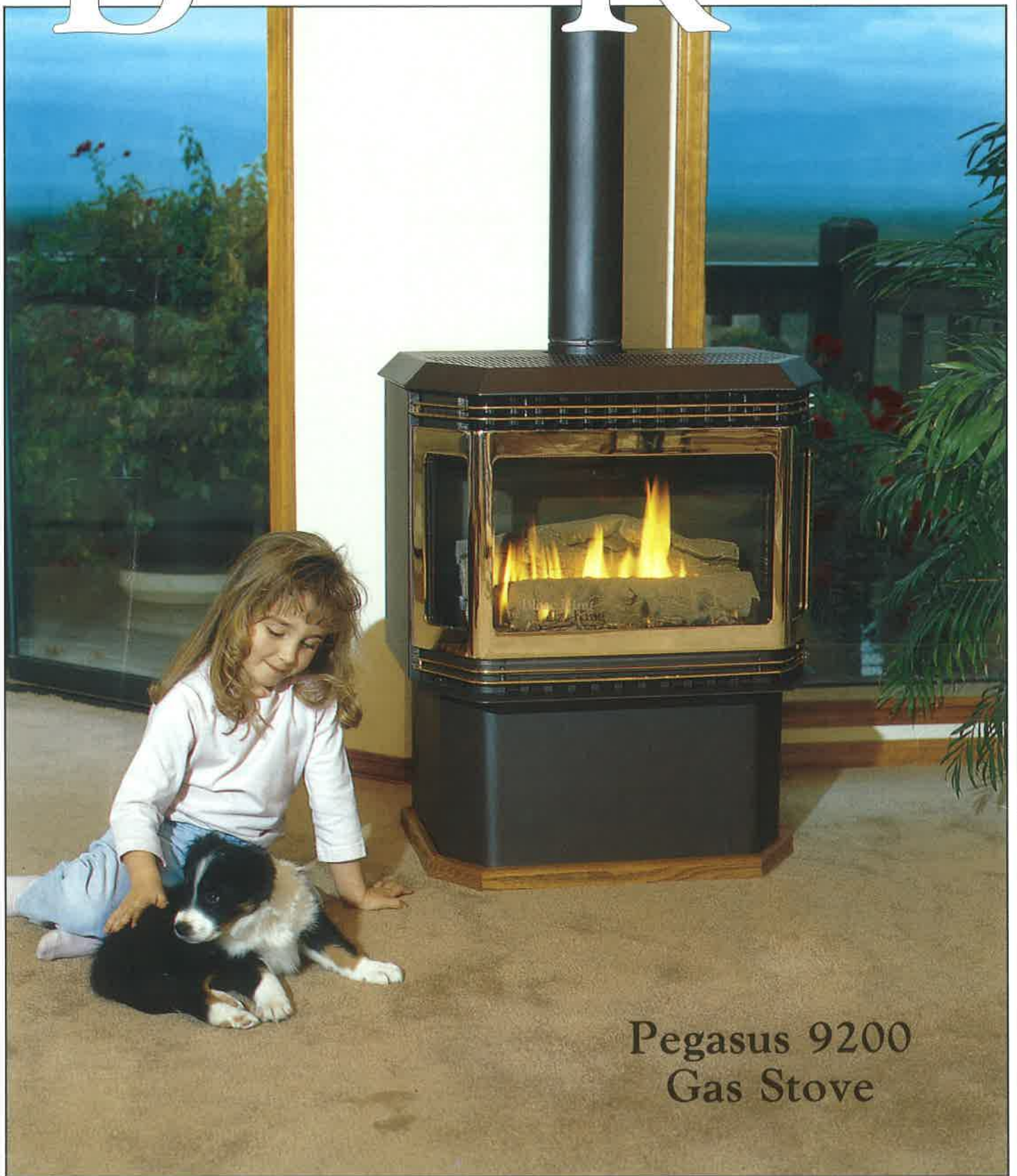


# BLAZE KING



Pegasus 9200  
Gas Stove

# BLAZE KING PEGASUS

The PEGASUS line of gas-fired heaters continues the Blaze King tradition of incorporating the latest technology in beautiful heating appliances.

**Enjoyment, Comfort and Convenience.** Owning a Blaze King Pegasus is a delightful way to heat your home. The large bayview window gives you a clear view of a beautiful simulated wood fire. Blaze King lets you choose an infinite range of flame settings (not just one or two), high or low flame and any place in between. A wall thermostat (standard on each appliance) allows you total automatic control of heat output. PEGASUS won't leave you in the cold. A small amount of electrical current generated by the pilot light enables the PEGASUS to keep your home warm and cozy even if the electricity goes off.

**Clean, Safe and Efficient.** PEGASUS is designed to the highest safety standards. It is safety tested and listed in the U.S. and Canada by Warnock Hersey. Efficiency of the PEGASUS exceeds the requirements of the U.S. Department of Energy and surpasses most of the competition.

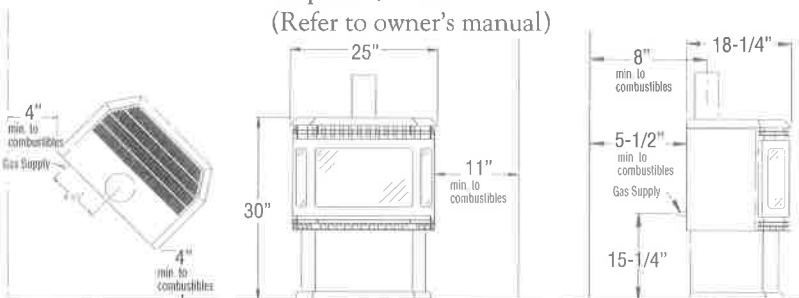
**Options.** Many manufacturers sell you a bare bones product and then charge you an arm and a leg to get the items most everyone wants. Examples: Gold finish doors, fan systems, gold trim parts, thermostats, etc. We at Blaze King make these items standard on most of our products. This gives Blaze King customers quality products at affordable prices.

**Appliance Colors.** At Blaze King we give you a selection of colors at no additional cost. Also gold or nickel doors and trim at no additional cost.

## Specifications, Pegasus 9200

|  |           | NATURAL GAS | L.P. GAS |
|--|-----------|-------------|----------|
| Maximum Input BTU/hr.                                    | High Burn | 40,000      | 38,500   |
| Maximum Output   | High Burn | 32,200      | 30,700   |
| High Burn Steady State Efficiency - 80.50% (Natural Gas) |           |             |          |

Width, 25"  
 Height, 30"  
 Depth, 18-1/4"  
 Weight, 155 lbs. (approximately)  
 Glass viewing area, 10" x 20"  
 135 CFM fan (standard)  
 Requires 4" vent  
 (Refer to owner's manual)



## Additional Blaze King Advantages

- Clean contemporary styling
- Beautiful gold or nickel finish door with large glass area for viewing fire (standard)
- Simple, reliable operation
- Infinite range of flame settings
- Wall thermostat, gives precise temperature control of your home (standard)
- Continues to heat your home during power failure
- Reliable and simple to maintain, all control and systems easily accessible
- 135 CFM variable speed fan with 2 speed switch provides quiet air circulation in your home (standard)
- Easy push button ignition, no messy matches to worry about
- Hinged door is easy to clean.

**NOTICE: Improper installation of your gas appliance or failure to operate it according to the guidelines detailed in the installation instructions, may negate your warranty and endanger your home and family.**

**Contact local building or fire officials about restrictions and installation inspection requirements in your area.**

**ABOUT BTU'S AND EFFICIENCIES — WARNING!** Some manufacturers are throwing a lot of hype around. Example "35,000 btu's of heating power" or a "40,000 btu Heater", this is pure hype. All they are telling you is the input rating (energy going into the appliance). Energy lost going up the flue or in combustion is of no use to you. **What is really important?** The btu-rate that is most important is the "output-rating", this is the energy that actually gets into your home. Blaze King is one of the few manufacturers that tells you not only input btu's but also what gets into your home, output btu's.

A good question to ask is, "What is the Steady State Efficiency?" Steady State Efficiency is determined by dividing the output rate by the input rate. The word "efficiency" doesn't necessarily give you the information you need. Purchase your appliances from manufacturers who are willing to give you honest information.

Photos and illustrations are for descriptive purposes only. Changes dictated by the manufacturers continuing design improvement program may not be shown.

These products are covered by one or more of the following U.S. patents: D-249890, D-250541, D-258756, D-263993, D-270087, 4261324; In Canada, patent 45026 and 45247. Additional U.S., Canadian and other foreign patents pending. All BLAZE KING products are manufactured under license agreement from Blaze King Industries, 400 W. Whitman Dr., College Place, WA 99324. Design and specifications subject to change without notice. Manufactured by Blaze King Canada, a Division of Valley Comfort Systems Inc., Penticton, B.C.



# Blaze King™

Gas Appliances

Pegasus Freestanding Model 9200

Pegasus Insert Model 9100

## Owner's Installation and Operations Manual

.....SAVE THESE INSTRUCTIONS.....

.....  
**FOR YOUR SAFETY**

If you smell gas:

1. Do not try to light any appliance
2. Do not touch any electrical switch.
3. Immediately call your gas supplier.
4. If you cannot reach you gas supplier,  
call the Fire Department.

Do not store or use gasoline or other flammable vapors and liquids in the vicinity of this or any other appliance.

**WARNING**

**DO NOT BURN WOOD, PAPER OR OTHER MATERIALS IN THIS APPLIANCE.**

**WARNING:** IMPROPER INSTALLATION, ADJUSTMENT, ALTERATION, SERVICE OR MAINTENANCE CAN CAUSE INJURY OR PROPERTY DAMAGE. REFER TO THIS MANUAL FOR ASSISTANCE OR ADDITIONAL INFORMATION. CONSULT A QUALIFIED INSTALLER, SERVICE AGENCY OR GAS SUPPLIER.



# UNITED STATES

## DEPARTMENT OF JUSTICE

### ANTITRUST DIVISION

#### INVESTIGATION

##### OF THE

##### RECORDING INDUSTRY

##### AND

##### DISC INDUSTRY

AND THE EFFECTS OF SUCH INVESTIGATION UPON THE RECORDING INDUSTRY AND DISC INDUSTRY

AND THE EFFECTS OF SUCH INVESTIGATION UPON THE RECORDING INDUSTRY AND DISC INDUSTRY

AND THE EFFECTS OF SUCH INVESTIGATION UPON THE RECORDING INDUSTRY AND DISC INDUSTRY

AND THE EFFECTS OF SUCH INVESTIGATION UPON THE RECORDING INDUSTRY AND DISC INDUSTRY

AND THE EFFECTS OF SUCH INVESTIGATION UPON THE RECORDING INDUSTRY AND DISC INDUSTRY



# TABLE OF CONTENTS

|   |    |
|---|----|
| SPECIFICATIONS MODEL 9100/9200 .....    | 4  |
| SAFETY NOTICE .....                     | 5  |
| WARRANTY .....                          | 6  |
| COPY OF LABEL .....                     | 7  |
| CAUTIONS .....                          | 8  |
| ELECTRICAL GROUNDING INSTRUCTIONS ..... | 9  |
| PREPARATION & ASSEMBLY .....            | 10 |
| APPLIANCE ASSEMBLY .....                | 11 |
| INSERT ASSEMBLY .....                   | 12 |
| PLANNING FOR YOUR STOVE PLACEMENT ..... | 13 |
| GAS CONNECTIONS .....                   | 14 |
| CLEARANCE DIAGRAMS .....                | 15 |
| FLUE VENTING .....                      | 16 |
| INSERT VENTING .....                    | 17 |
| BURNER CONVERSION INSTRUCTION .....     | 18 |
| ORIFICE SIZING CHART .....              | 19 |
| LIGHTING PREPARATION .....              | 20 |
| LIGHTING INSTRUCTIONS .....             | 21 |
| GAS FLAME ADJUSTMENT .....              | 22 |
| WIRE DIAGRAMS .....                     | 23 |
| REPLACEMENT PARTS LIST .....            | 24 |

# SPECIFICATIONS

## Model 9100 & 9200

HIGH BURN STEADY STATE EFFICIENCY: 9100 - 83.75, 9200 - 80.50

|   | Natural Gas   | LP Gas        |
|---|---------------|---------------|
| Input Rating (Btu/hr) 0-610 m 0-2,000 Ft. Alt.<br>Orifice (DMS) 0-610 m         | 40,000<br>#31 | 38,500<br>#49 |
| Input Rating (Btu/hr) 0610-1370 m 2,000-4,500 Ft. Alt.<br>Orifice (DMS) 0-610 m | 38,000<br>#32 | 36,500<br>#50 |

| Unit Factory Equipped for 0-610 m 0-2,000 Ft. Alt. | Natural Gas |             | LP Gas      |             |
|--|-------------|-------------|-------------|-------------|
|  | <u>9200</u> | <u>9100</u> | <u>9200</u> | <u>9100</u> |
| Minimum Input (Btu/hr)                             | 28,500      |             | 18,500      |             |
| Maximum Output (Btu/hr)                            | 32,200      | 33,500      | 30,800      | 32,000      |
| Maximum Output, Lo Setting (Btu/hr)                | 20,500      | 21,900      | 13,500      | 14,900      |
| Manifold pressure (in w.c./kPa)                    | 3.5/1.87    |             | 10.0/2.49   |             |
| Manifold pressure Lo-setting (in w.c./kPa)         | 1.7/1.42    |             | 2.7/1.67    |             |
| Minimum Inlet Pressure (in w.c./kPa)               | 5.5/1.37    |             | 11.0/2.74   |             |
| Maximum Inlet Pressure (in w.c./kPa)               | 10.5/2.62   |             | 13/3.20     |             |

Maximum outputs are with fans on.  
Minimum outputs are with fans off.

|              |          |
|--------------|----------|
| Width .....  | 25"      |
| Height ..... | 30"      |
| Depth .....  | 18 1/4"  |
| Weight ..... | 156 Lbs. |

Listing, *WARNOCK HERSEY* Tested to: AGA/ANSI Standard Z21.11.1-1991 Vented Room Heater. CAN 1-2.1M89 Gas-Fired Vented Room Heaters and CAN/CGA-2.17-M91 Gas Fired Appliances for use at High Altitudes.

Gas appliances must be tested and certified by a nationally recognized testing and certification agency to ANSI Gas appliance safety standard.

The Blaze King Freestanding Gas Stove has been tested and certified by *WARNOCK HERSEY, INC.*, Middleton, WI 53562 for USA to ANSI Standard Z21.11.1-1991, for Canada CAN 1-2.1-M89 Gas-Fired Vented Room Heaters and CAN/CGA-2.17-M91 Gas-Fired Appliances for use at High Altitudes.

## **SAFETY NOTICE**

.....  
IF THIS APPLIANCE IS NOT PROPERLY INSTALLED A HOUSE FIRE MAY RESULT. FOR YOUR SAFETY FOLLOW THE INSTALLATION DIRECTIONS. CONTACT LOCAL BUILDING OR FIRE OFFICIALS ABOUT RESTRICTIONS AND INSTALLATION REQUIREMENTS IN YOUR AREA. PLEASE READ THIS ENTIRE MANUAL BEFORE YOU INSTALL AND USE YOUR NEW APPLIANCE. FAILURE TO FOLLOW INSTRUCTIONS MAY RESULT IN PROPERTY DAMAGE BODILY INJURY OR DEATH.  
.....

### **CAUTIONS:**

*NEVER* vent the appliance to other rooms or building. Appliance must be vented **ONLY** to the outside.

*NEVER* use chimney or chimney connector smaller than the four (4") inches required.

*NEVER* burn the appliance with the viewing door open.

### **FIRE EXTINGUISHERS:**

Every home should have at least one fire extinguisher. An approved "Class A-B-C" extinguisher should be mounted on the wall near an exit and close to the appliance but not so close that accessibility to the extinguisher could be blocked by a fire. Your local fire department can advise you concerning the most appropriate location.

### **BUILDING AND FIRE CODES, PERMITS AND INSPECTIONS:**

The installation of this gas appliance must comply with your local building and fire codes. Always contact your local Building Inspector and/or Fire Department before beginning the installation process. If required obtain a permit before installation and have the completed installation inspected. Remember that noncompliance with building and/or fire codes may jeopardize your homeowner's insurance.

### **CHILDREN:**

Do Not Allow Children to play near the appliance or with the controls. Severe burns may be inflicted by touching the door or door glass the front sides or top of the appliance. Train children to stay away from the appliance and never leave children unattended in the room when the appliance is in operation.

### **SMOKE DETECTORS:**

Install at least one smoke detector on each floor of your home to ensure your safety. It should be located away from the gas appliance and close to the sleeping areas. Following the smoke detector manufacturers placement installation and maintenance instructions. Your local Fire Department may provide assistance in selecting smoke detectors or contact the Consumer Product Safety Commission  
Washington D.C. 20207

*THE APPLIANCE AREA MUST BE KEPT CLEAR FROM COMBUSTIBLE MATERIALS GASOLINE AND OTHER FLAMMABLE VAPORS AND LIQUIDS.*

## WARRANTY

BLAZE KING offers a five-year limited appliance warranty on the firebox. A one-year warranty on all other components. A copy of this warranty is packaged with the appliance. To register your warranty fill out and return the warranty registration card included with this appliance. You will find the model number and serial number on the label on the back of the appliance. If the warranty card is missing you may obtain one from your local dealer.

---

### DISCLAIMER OF WARRANTIES AND LIMITATION OF LIABILITY

THERE ARE NO UNDERSTANDING AGREEMENTS REPRESENTATIONS OR WARRANTIES EXPRESS OR IMPLIED INCLUDING WARRANTIES OF MERCHANTABILITY OR FITNESS FOR A PARTICULAR PURPOSE OTHER THAN THOSE SPECIFICALLY SET OUT BY THE "BLAZE KING LIMITED WARRANTY". THE WARRANTY STATES THE ENTIRE OBLIGATION OF THE MANUFACTURER AND SELLER. THE CONTENTS OF THIS INSTALLATION AND OPERATIONS MANUAL SHALL NOT BECOME PART OF OR MODIFY THE WARRANTY.

---

The information, recommendations, descriptions, and safety notations in this document are based on Blaze King's judgement and experience regarding gas appliances. *THIS INFORMATION SHOULD NOT BE CONSIDERED TO BE ALL-INCLUSIVE OR COVERING ALL CONTINGENCIES.* In no event will Blaze King be responsible to the user in contract in tort (including negligence) strict liability or otherwise for any special indirect incidental or consequential damage or loss whatsoever resulting from the use of the information, recommendations, descriptions, and safety notations contained herein. If further information is required consult your local building or fire officials your Blaze King dealer or Blaze King.

### OTHER LEGAL RIGHTS OF THE PURCHASER.

The Blaze King warranty gives you specific legal rights and you may also have other rights which may vary from state to state. If you do not agree to the purchase of the gas appliance on the terms and conditions set out in the warranty then you must return the gas appliance to the dealer prior to use or installation and the purchase price will be refunded.



# COPY OF APPLIANCE LABEL



Listed Gas-Fired Vented Room Heater

BLAZE KING Free Standing - 9200

BLAZE KING Insert - 9100

WH -

#0754

Certified for U.S. and Canada  
Homologué Pour Le Canada

This stove is factory equipped for:

Natural Gas

Propane Gas

Tested to ANSI Z21.11.1-1991, CAN 1-2.1-M89 Gas-Fired Vented Room Heater  
and CAN/CGA-2.17-M91 "Gas-Fired Appliances For Use at High Altitudes"

|   | NATURAL GAS          | LP GAS               |
|---|----------------------|----------------------|
| Input Rating (Btu/hr) 0-610 m 0-2000 Ft. Alt.         | 40,000               | 38,500               |
| Orifice (DMS) 0-610 m                                 | 31                   | #49                  |
| Input Rating (Btu/hr) 610-1370 m 2,000-4,500 Ft. Alt. | 38,000               | 36,500               |
| Orifice (DMS) 610-1370 m                              | 32                   | #50                  |
| Manifold Pressure (In w.c./kPa)                       | 3.5/1.87             | 10.0/2.49            |
| Manifold Pressure Lo Setting (In w.c./kPa)            | 1.7/1.42             | 2.7/1.67             |
| Minimum Inlet Pressure (In w.c./kPa)                  | 5.5/1.37             | 11.0/2.74            |
|   | Freestanding, Insert | Freestanding, Insert |
| Maximum Output (Btu/hr)                               | 32,200 33,500        | 30,800 30,200        |
| Minimum Input (Btu/hr)                                | 28,500               | 18,500               |
| Unit Factory Equipped For 0-610 m 0-2000 Ft. Alt.     |                      |                      |

This appliance must be installed in accordance with local codes if any; if not follow ANSI Z223.1 or CAN/CGA-B149. NOT FOR USE WITH SOLID FUEL.

### MINIMUM CLEARANCES FROM COMBUSTIBLE CONSTRUCTION

|  |                                 |
|--|---------------------------------|
| Unit to Sidewall   | 11in. (280 mm)                  |
| Unit to Backwall   | 6 in. (150 mm) to Flue Collar   |
| Unit to Adjacent Wall Corner   | 4 in. (100 mm)                  |
| Alcove Minimum Width 47 in. (1190 mm)  | Minimum Height 54 in. (1370 mm) |
| Maximum Depth 30 in. (760 mm)  |                                 |
| Minimum Mantel Height 23" Above Unit   |                                 |
| 18" Floor Protection Required if unit is not on a 6" elevated Hearth (Insert Only) |                                 |
| For more details, see Instruction Manual   |                                 |

Electrical Rating: 115 Volts, 1.5 Amperes, 60 Hz

**DANGER:** Risk of electrical shock. Disconnect power before servicing unit. Do not route power cord beneath heater.

Manufactured By:

**BLAZE KING INDUSTRIES**  
P.O. Box 367  
College Place, WA 99324

Manufacture Date:

|                               |                               |                               |                                |
|-------------------------------|-------------------------------|-------------------------------|--------------------------------|
| <input type="checkbox"/> 1993 | <input type="checkbox"/> 1994 | <input type="checkbox"/> 1995 | <input type="checkbox"/> 1996  |
| <input type="checkbox"/> JAN  | <input type="checkbox"/> FEB  | <input type="checkbox"/> MAR  | <input type="checkbox"/> APRIL |
| <input type="checkbox"/> MAY  | <input type="checkbox"/> JUNE | <input type="checkbox"/> JULY | <input type="checkbox"/> AUG   |
| <input type="checkbox"/> SEPT | <input type="checkbox"/> OCT  | <input type="checkbox"/> NOV  | <input type="checkbox"/> DEC   |

## CAUTIONS

This Gas Appliance must not be connected to a chimney flue serving a separate solid-fuel burning appliance. This appliance installation must conform with local codes with the National Fuel Gas Code ANSI Z223.1-1992 and Addenda Z223.1a-1987.

The appliance and its individual shutoff valve must be disconnected from the gas supply piping system during any pressure testing of that system at test pressures in excess of 1/2 psig. (3.5 kPa)

The appliance must be isolated from the gas supply piping system by closing its individual manual shutoff valve during any pressure testing of the gas supply piping system at test pressures equal to or less than 1/2 psig. (3.5 kPa) The appliance installer must provide a 1/8-inch N.P.T. plugged tapping accessible for test gage connection immediately upstream of the gas supply connection to the appliance.

When the appliance is installed directly on carpeting, tile, or other combustible material other than wood flooring the appliance shall be installed on a metal or wood panel extending the full width and depth of the base. This heater is equipped with a vent safety shutoff system. Designed to protect against improper venting of combustion products.

---

### WARNING

This appliance is equipped with a safety control system designed to protect against improper venting of combustion products.

Operation of this heater when not connected to a properly installed and maintained venting system or tampering with the vent safety shutoff system can result in carbon monoxide (CO) poisoning and possible death.

---

### COMBUSTION AND VENTILATION AIR

The Blaze King Gas Appliance incorporates its own internal draft hood so no additional external draft hood is required. Check periodically that the vent is unrestricted and an adequate draft is present when the unit is in operation.

---

### WARNING

This appliance needs fresh air for safe operation and must be installed with provisions for adequate combustion and ventilation air available to the room in which it is to be operating. Follow CAN/CGA B149 (in Canada) or ANSI Z223.1 (In the USA) requirements any local codes or regulations of the enforcing authority. Air for combustion is drawn in through the back of the unit therefore the back of the unit must be kept clear of any obstructions.

---

THIS APPLIANCE MUST BE INSTALLED SO THAT THE DRAFT HOOD IS IN THE SAME ATMOSPHERIC PRESSURE ZONE AS THE COMBUSTION AIR INLET.

# ELECTRICAL GROUNDING INSTRUCTIONS

.....

## WARNING

The appliance when installed must be electrically grounded in accordance with local codes or in the absence of local codes with the National Electrical Code ANSI/NFPA 70-1987. Or the current Canadian Electrical Code - CSA.C22.1.

This appliance is equipped with a three prong (grounding) plug for your protection against shock hazard and should be plugged directly into a properly grounded three-prong receptacle. Do not cut or remove the grounding prong from this plug.

.....

.....

## PREPARATION & ASSEMBLY

### WARNING

IMPROPER ASSEMBLY AND/OR INSTALLATION OF YOUR BLAZE KING GAS APPLIANCE OR FAILURE TO OPERATE IT ACCORDING TO THE GUIDELINES DETAILED IN THESE INSTRUCTIONS WILL VOID THE APPLIANCE WARRANTY, CAN CAUSE A HOUSE OR CHIMNEY FIRE, AND MAY ENDANGER YOUR FAMILY. FOR YOUR SAFETY FOLLOW THE ASSEMBLY AND INSTALLATION INSTRUCTIONS CAREFULLY. CONTACT LOCAL BUILDING OR FIRE OFFICIALS ABOUT RESTRICTIONS AND INSTALLATION INSPECTION IN YOUR AREA. PLEASE READ THIS ENTIRE MANUAL BEFORE YOU INSTALL AND USE YOUR NEW APPLIANCE. DO NOT CONNECT THIS UNIT TO A CHIMNEY FLUE SERVING ANOTHER APPLIANCE.

- Due to high temperatures the appliance should be located out of traffic and away from furniture and draperies.
- Children and adults should be alerted to the hazards of high surface temperature and should stay away to avoid burns or clothing ignition.
- Young children should be carefully supervised when they are in the same room as the appliance.
- Clothing or other flammable material should not be placed on or near the appliance.
- Any safety screen or guard removed for servicing a room heater must be replaced prior to operating the appliance.
- Installation and repair should be done by a qualified service person.
- The appliance should be inspected before use and at least annually by a qualified service person.
- More frequent cleaning may be required due to excessive lint from carpeting bedding material etc.
- It is imperative that control compartments burners and circulating air passageways of the appliance be kept clean.
- To clean make sure appliance is off and cold then remove logs use a vacuum to clean burner and air openings in the bottom of appliance also on the back of appliance.

## APPLIANCE ASSEMBLY

REMOVE ALL ITEMS PACKED IN THE FIREBOX: IF YOU HAVE NOT ALREADY DO SO PLEASE TAKE A FEW MINUTES TO COMPLETE THE WARRANTY CARD FOUND IN THE FIREBOX AND MAIL IT TODAY.

### PRODUCT INSPECTION:

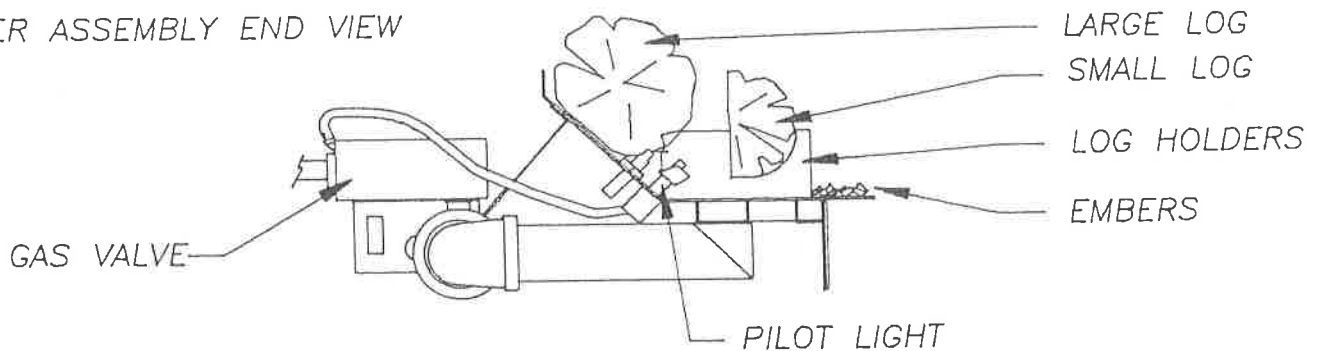
*BLAZE KING* Appliances are known for their quality materials and construction. However mistakes occasionally occur. Inspect all parts for damage due to shipping and to be sure that all needed parts are enclosed. If you discover a part is missing or damaged, contact your dealer immediately for replacement or repair.

### POSITIONING THE LOG SET:

.....  
**WARNING**

DANGEROUS OPERATING CONDITIONS MAY OCCUR IF THESE LOGS ARE NOT POSITIONED IN THEIR CERTIFIED LOCATIONS. READ THE FOLLOWING INSTRUCTIONS CAREFULLY AND REFER TO THE DIAGRAM BELOW.  
.....

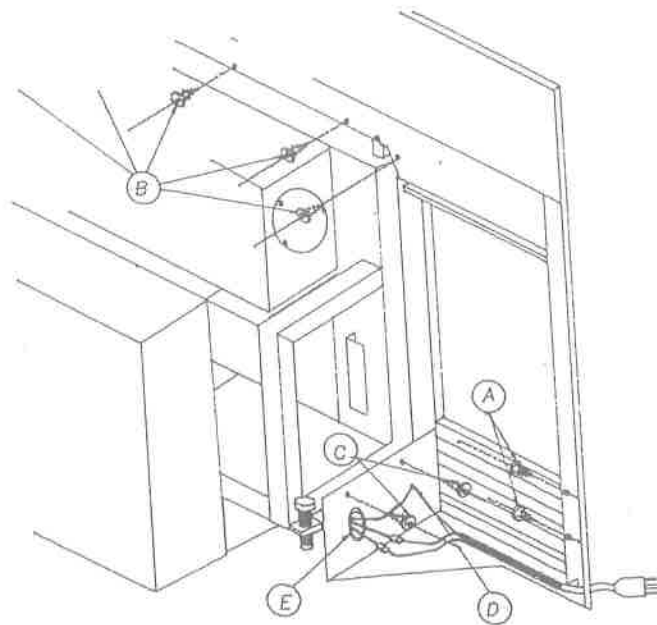
BURNER ASSEMBLY END VIEW



Place large log on burner assembly so that the bottom of the log rest against the burner assembly and the front of the log rest against the relieved corners of log holders center the log on the burner assembly. Make sure the curved part of the log is up. Place the small log in log holders with the flat side to the back the small end to your left. Make sure they are centered on the two log holders. You will find a small package of "EMBERS" they can be broken up to the size you wish. They should be approximately the size of marbles. Use only the material provided with this appliance **DO NOT ADD** more material. Arrange them over the front burner in front of the small log to resemble a coal bed.

## INSERT ASSEMBLY

1. Align lower grill with right shroud side and fasten with two screws "A". Repeat for left shroud side.
2. Slide shroud on from the rear of the insert. The right side shroud should slide over the controls first. Then bring the right side up tight up against the insert. Fasten with five screws "B".
3. Align the bottom grill bracket and place two screws "C" in from each side.
4. The green ground screw must be put through the loop on the end of the green wire which is located in the power cord. then thread into hole marked "D".
5. Pull the two wires that are fastened in the back of insert through the grommet marked "E". Fasten them to the black and white wire with matching ends in the power cord.



## PLANNING FOR YOUR STOVE PLACEMENT

As you plan your installation consider the following:

Stove should be placed as central in the home as possible. Consider safety, convenience, Traffic flow and the fact that the stove will need a chimney.

*DUE TO HIGH TEMPERATURE THE ROOM HEATER SHOULD BE LOCATED OUT OF TRAFFIC AND AWAY FROM FURNITURE AND DRAPERIES; MINIMUM CLEARANCES SHOWN ON PAGE 15 ARE TO PREVENT WALLS AND CEILINGS FROM CATCHING ON FIRE.*

For the type of chimney system to be used. See page 16. Electrical Power is 115.-60HZ. The stove is equipped with a fan assembly with a six-foot electrical cord. Do not route the cord in front of the stove. Position the stove in its final location. A floor protector maybe used for aesthetics. However when the stove is installed directly on carpeting, vinyl or other combustible material other than wood flooring the stove *MUST* be installed on a metal or wood panel extending the full width and depth of the Base.

---

### WARNING

Only persons licensed to work with gas piping may make the necessary gas connection to this appliance. You are ready to hook up the Gas Supply. Be sure gas plumbing instructions and all state and local codes are carefully followed. Use approved flexible gas connections or ridged piping depending on state and local codes to attach burner to gas supply. Be *SURE* to use proper size gas Supply Line. Carefully check all connection for gas leaks with soap and water solution.

---

### CAUTION

Each installation must conform to all local state and national codes. Refer to the national fuel gas code and local zoning and code authorities for details on installation requirements. The Blaze King Appliances must be vented to the out-side in accordance with the latest edition of the National Fuel Gas Code. In the absence of local codes the installation must conform with National Fuel Gas Code ANSI Z223.1 also know as NFPA 54.

## GAS CONNECTION

The gas line may be installed at this time make sure to follow all state and local codes. It is recommended by Blaze King that gas connect be made by a Licensed and qualified installer. The appliance can be connected to the supply line with either rigid or approved flexible gas connection. Check with state and local codes.

Attach a 1/2" close nipple to the control valve at this point there must a 1/8 inch N.P.T. plugged topping accessible for a test gage. Then the connection pipe connected to a 1/2" Shut off valve. Which would be mounted to the supply line.

### PIPING DETAIL:

#### NOTE:

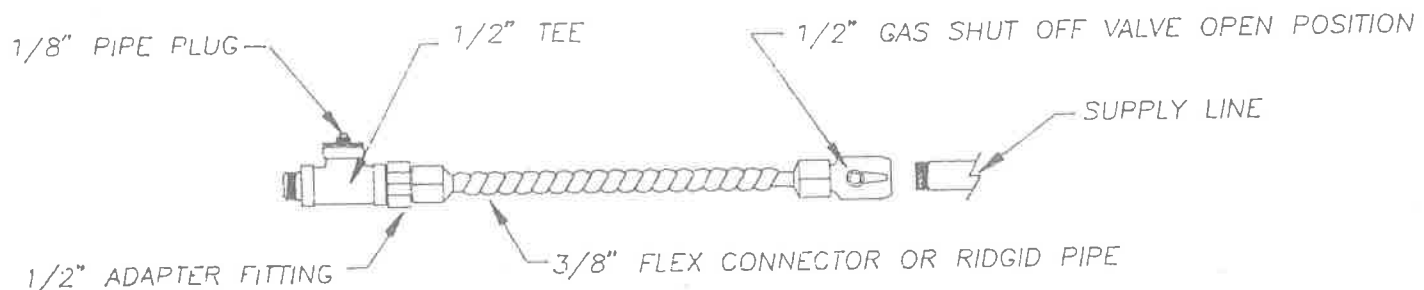
*DO NOT DAMAGE OR KINK THE FLEX CONNECTOR. CHECK FOR GAS LEAKS WITH SOAP AND WATER SOLUTION.*

#### NOTE:

*1/2" FLEX OR RIGID PIPING MAY BE USED TO CONNECT GAS SUPPLY TO UNIT DEPENDING ON STATE AND LOCAL CODES.*

### Gas Supply Pressure

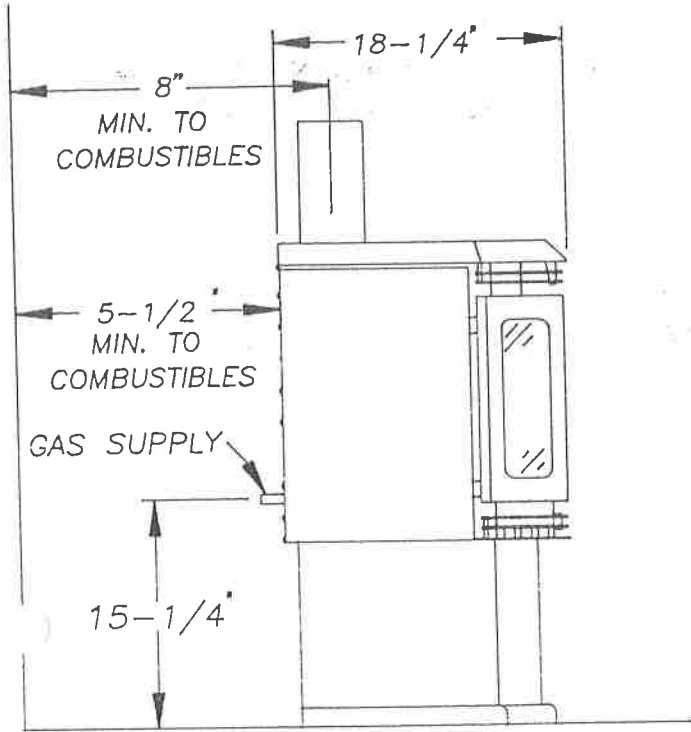
|             |  |
|-------------|--|
| Natural Gas | 7 in w.c. recommended 5.5/1.37 min./10.5/2.62 max. |
| LP Gas      | 11 in. w.c. recommended 11.0/2.74 min./13/3.2 max. |



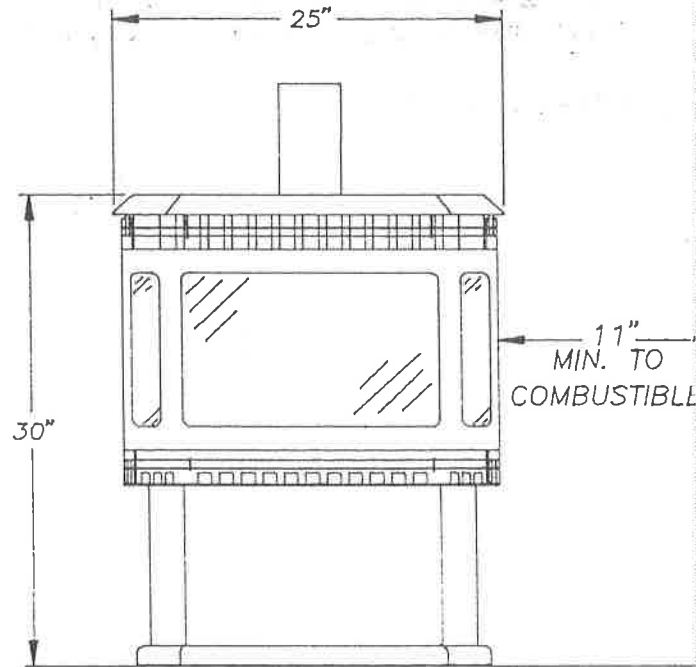


# CLEARANCES FROM COMBUSTIBLE CONSTRUCTION APPLIANCE

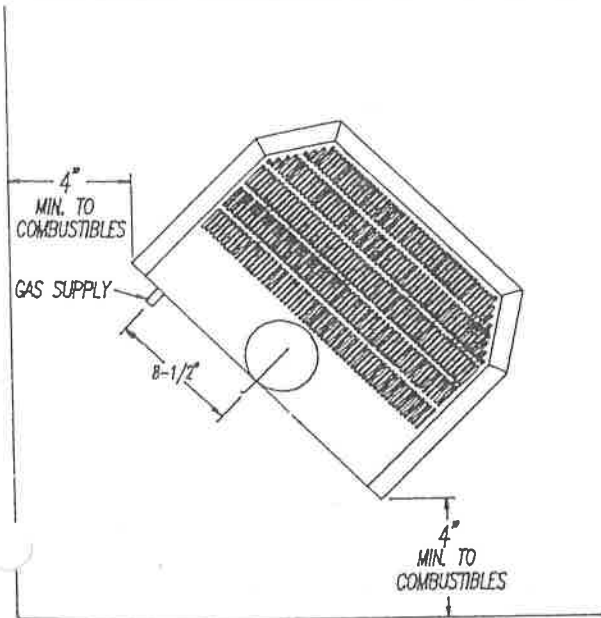
PEGASUS FREESTANDING 9200



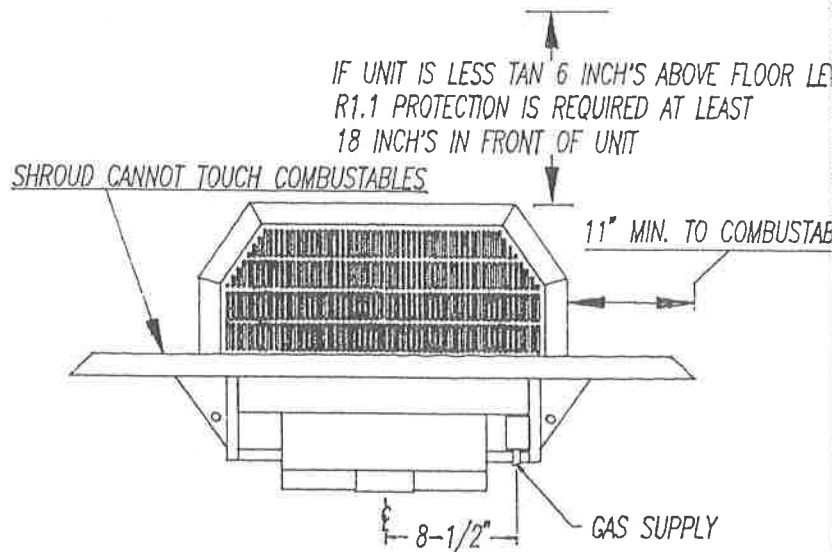
PEGASUS FREESTANDING 9200



PEGASUS FREESTANDING 9200



PEGASUS INSERT 9100

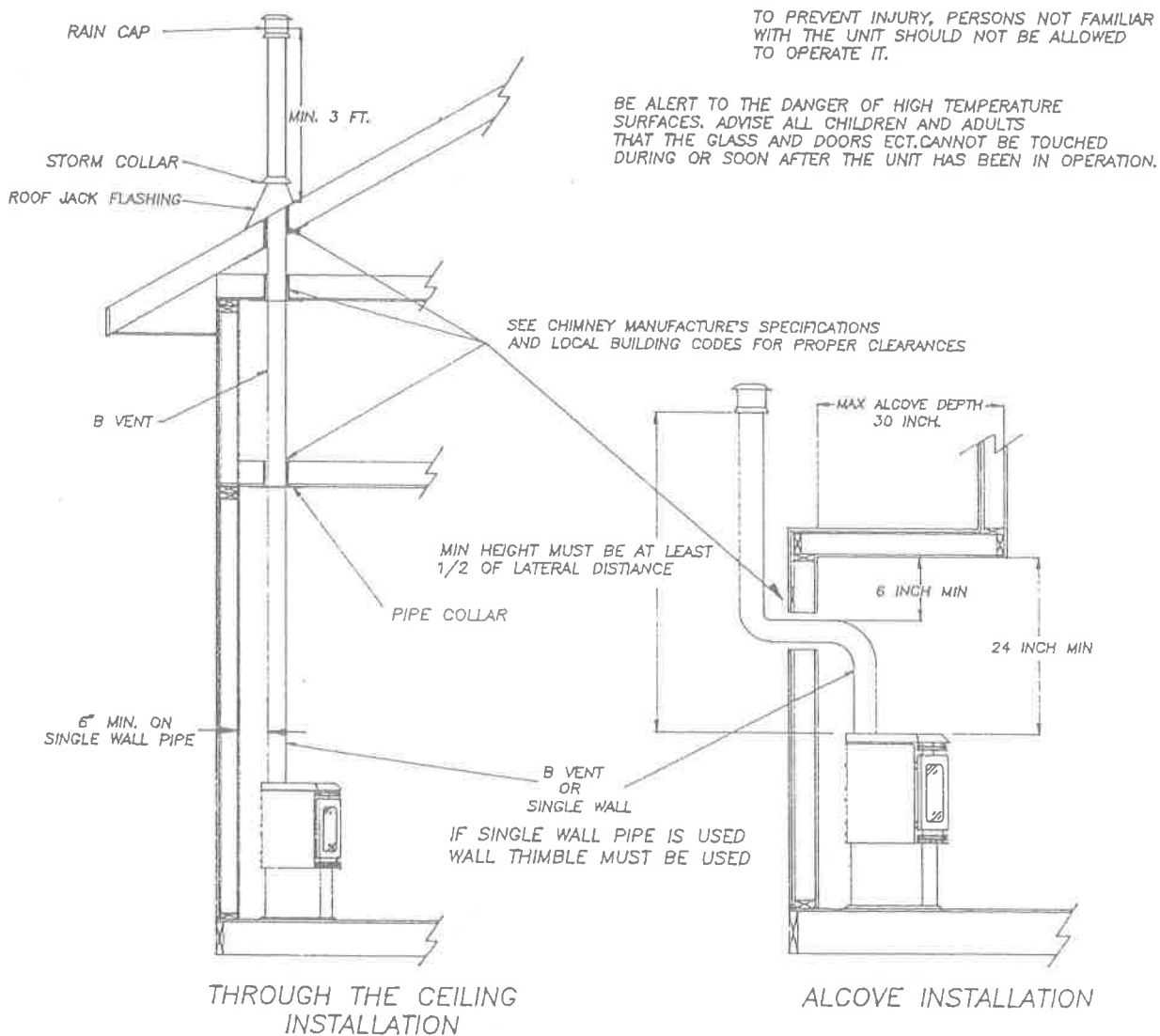


# FLUE VENTING APPLIANCE

## WARNING

ALWAYS REFER TO LOCAL AND STATE SAFETY CODES AND VENT MANUFACTURING SPECIFICATIONS FOR SAFE AND EFFICIENT INSTALLATION.

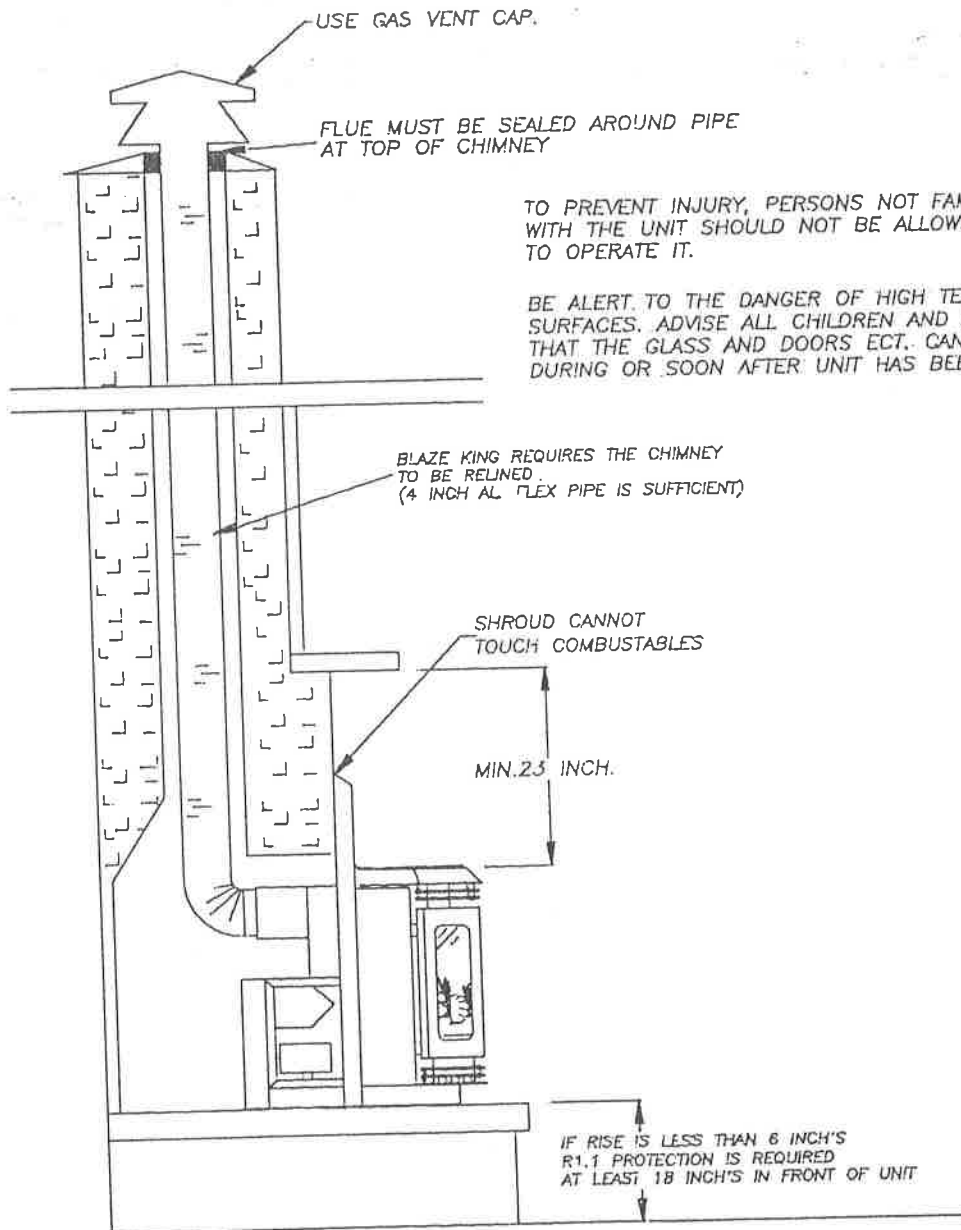
CAUTION: EACH OF THE VENT MANUFACTURER HAVE THERE OWN METHOD OF CONNECTION DO NOT MIX B-VENT FROM VARIOUS MANUFACTURERS. B-VENT MUST BE USED WHEN PASSING THROUGH A WALL CEILING OR ROOF.



# FLUE VENTING INSERT

## WARNING

ALWAYS REFER TO LOCAL AND STATE SAFETY CODES AND VENT MANUFACTURING SPECIFICATIONS FOR SAFE AND EFFICIENT INSTALLATION.



TO PREVENT INJURY, PERSONS NOT FAMILIAR WITH THE UNIT SHOULD NOT BE ALLOWED TO OPERATE IT.

BE ALERT TO THE DANGER OF HIGH TEMPERATURE SURFACES. ADVISE ALL CHILDREN AND ADULTS THAT THE GLASS AND DOORS ECT. CANNOT BE TOUCHED DURING OR SOON AFTER UNIT HAS BEEN IN OPERATION

THE BLAZE KING INSERT CAN ONLY BE INSTALLED IN A MASONRY FIREPLACE OR A LISTED WOOD BURNING "0" CLEARANCE FIREPLACE MODELS.

## BURNER CONVERSION INSTRUCTIONS

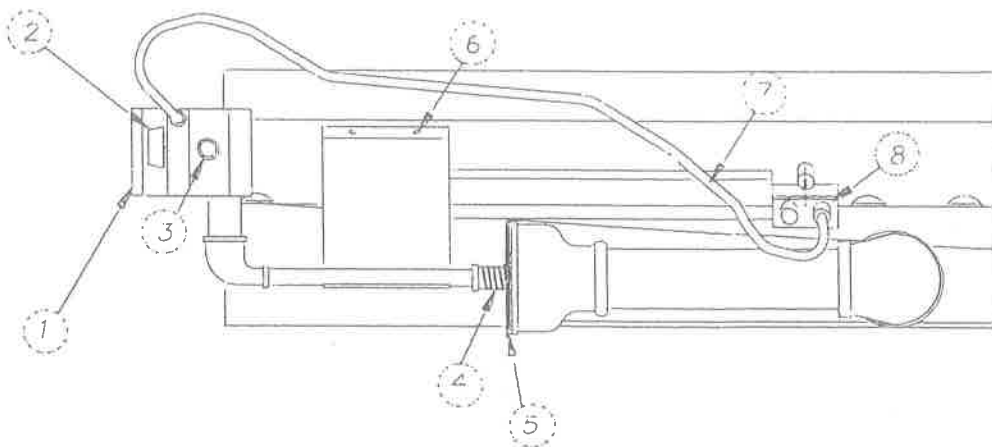
TO LP. OR NAT. GAS  
BLAZE KING RECOMENDS THIS PROCEDURE BE DONE  
BY QUALIFIED SERVICE PERSONNEL

1. REMOVE BURNER ASSEMBLY FROM STOVE.
2. REMOVE PILOT LINE AT PILOT ORIFICE END
3. REMOVE 2 VALVE MOUNTING SCREWS.
4. REMOVE FITTING FROM PILOT BERNER.
5. PILOT ORIFICE CAN BE REMOVED AND REPLACED WITH APPROPRIATE ORIFICE
6. REMOVE MAIN ORIFICE AND REPLACE WITH APPROPRIATE ORIFICE
7. REASSEMBLE BURNER PARTS IN REVERSE ORDER.
8. REMOVE THE TWO SCREWS HOLDING THE REGULATOR PLATE  
REMOVE REGULATOR & GASKET. POSITION NEW GASKET  
PROPERLY OVER PINS & INSTALL NEW REGULATOR WITH NOTCHED CORNER UP
9. PLACE PROVIDED LP. OR NAT. GAS DECAL ON VALVE.
10. FOR NAT-GAS AIR SHUTTER SHOULD BE ADJUSTED APPROX. 1/2 OPEN
11. FOR LP-GAS AIR SHUTTER SHOULD BE ADJUSTED FULL OPEN
12. REPLACE BURNER PLATE IN STOVE

### WARNING

EACH CONNECTION MUST BE INSTRUMENT OR SOAP CHECKED  
FOR LEAKS WITH GAS PRESSURE ON

### BURNER ASSEMBLY



- 1 VALVE & REGULATOR
- 2 NAT OR LP REGULATOR PI
- 3 GAS INLET NIPPLE
- 4 MAIN GAS ORIFICE
- 5 PRIMARY AIR SHUTTER ROT
- 6 VALVE MOUNTING SCREWS
- 7 PILOT LINE
- 8 PILOT ORIFICE

### HIGH ALTITUDE STATEMENT

This unit has been tested for installations at high altitude (1370 meters or higher) in accordance with Canadian test standard CAN/CGA-2.17. Higher altitudes affect the atmospheric pressure and heat value of gaseous fuels. When installing this unit at high altitudes the rated input will be lower than sea level. The lowered oxygen content in the air and lowered gas density require installing a different orifice in order to achieve clean combustion of the unit. Consult the unit data plate for proper high altitude orifice size and fill out the information sticker attached to the unit when field converting.

# ORIFICE SIZING TABLE

**Equivalent Orifice Sizes at High Altitudes**  
(Includes 4% input reduction for each 1,000 feet)

| Orifice size at Sea Level | Orifice Size Required at Other Elevations |      |      |      |      |      |      |      |       |  |
|---------------------------|---|------|------|------|------|------|------|------|-------|--|
|                           | 2000                                      | 3000 | 4000 | 5000 | 6000 | 7000 | 8000 | 9000 | 10000 |  |
| 1                         | 2   | 2    | 3    | 3    | 4    | 5    | 7    | 8    | 10    |  |
| 2                         | 3   | 3    | 4    | 5    | 6    | 7    | 9    | 10   | 12    |  |
| 3                         | 4   | 5    | 7    | 8    | 9    | 10   | 12   | 13   | 15    |  |
| 4                         | 6   | 7    | 8    | 9    | 11   | 12   | 13   | 14   | 16    |  |
| 5                         | 7   | 8    | 9    | 10   | 12   | 13   | 14   | 15   | 17    |  |
| 6                         | 8   | 9    | 10   | 11   | 12   | 13   | 14   | 16   | 17    |  |
| 7                         | 9   | 10   | 11   | 12   | 13   | 14   | 15   | 16   | 18    |  |
| 8                         | 10  | 11   | 12   | 13   | 13   | 15   | 16   | 17   | 18    |  |
| 9                         | 11  | 12   | 12   | 13   | 14   | 16   | 17   | 18   | 19    |  |
| 10                        | 12  | 13   | 13   | 14   | 15   | 16   | 17   | 18   | 19    |  |
| 11                        | 13  | 13   | 14   | 15   | 16   | 17   | 18   | 19   | 20    |  |
| 12                        | 13  | 14   | 15   | 16   | 17   | 17   | 18   | 19   | 20    |  |
| 13                        | 15  | 15   | 16   | 17   | 18   | 18   | 19   | 20   | 22    |  |
| 14                        | 16  | 16   | 17   | 18   | 18   | 19   | 20   | 21   | 23    |  |
| 15                        | 16  | 17   | 17   | 18   | 19   | 20   | 20   | 22   | 24    |  |
| 16                        | 17  | 18   | 18   | 19   | 19   | 20   | 22   | 23   | 25    |  |
| 17                        | 18  | 19   | 19   | 20   | 21   | 22   | 23   | 24   | 26    |  |
| 18                        | 19  | 19   | 20   | 21   | 22   | 23   | 24   | 26   | 27    |  |
| 19                        | 20  | 20   | 21   | 22   | 23   | 25   | 26   | 27   | 28    |  |
| 20                        | 22  | 22   | 23   | 24   | 25   | 26   | 27   | 28   | 29    |  |
| 21                        | 23  | 23   | 24   | 25   | 26   | 27   | 28   | 28   | 29    |  |
| 22                        | 23  | 24   | 25   | 26   | 27   | 27   | 28   | 29   | 29    |  |
| 23                        | 25  | 25   | 26   | 27   | 27   | 28   | 29   | 29   | 30    |  |
| 24                        | 25  | 26   | 27   | 27   | 28   | 28   | 29   | 29   | 30    |  |
| 25                        | 26  | 27   | 27   | 28   | 28   | 29   | 29   | 30   | 30    |  |
| 26                        | 27  | 28   | 28   | 28   | 29   | 29   | 30   | 30   | 30    |  |
| 27                        | 28  | 28   | 29   | 29   | 29   | 30   | 30   | 30   | 31    |  |
| 28                        | 29  | 29   | 29   | 30   | 30   | 30   | 30   | 31   | 31    |  |
| 29                        | 29  | 30   | 30   | 30   | 30   | 31   | 31   | 31   | 32    |  |
| 30                        | 30  | 31   | 31   | 31   | 31   | 32   | 32   | 33   | 35    |  |
| 31                        | 32  | 32   | 32   | 33   | 34   | 35   | 36   | 37   | 38    |  |
| 32                        | 33  | 34   | 35   | 35   | 36   | 36   | 37   | 38   | 40    |  |
| 33                        | 35  | 35   | 36   | 36   | 37   | 38   | 38   | 40   | 41    |  |
| 34                        | 35  | 36   | 36   | 37   | 37   | 38   | 39   | 40   | 42    |  |
| 35                        | 36  | 36   | 37   | 37   | 38   | 39   | 40   | 41   | 42    |  |
| 36                        | 37  | 38   | 38   | 39   | 40   | 41   | 41   | 42   | 43    |  |
| 37                        | 38  | 39   | 39   | 40   | 41   | 42   | 42   | 43   | 43    |  |
| 38                        | 39  | 40   | 41   | 41   | 42   | 42   | 43   | 43   | 44    |  |
| 39                        | 40  | 41   | 41   | 42   | 42   | 43   | 43   | 44   | 44    |  |
| 40                        | 41  | 42   | 42   | 42   | 43   | 43   | 44   | 44   | 45    |  |

| Orifice size at Sea Level | Orifice Size Required at Other Elevations |      |      |      |      |      |      |      |       |  |
|---------------------------|---|------|------|------|------|------|------|------|-------|--|
|                           | 2000                                      | 3000 | 4000 | 5000 | 6000 | 7000 | 8000 | 9000 | 10000 |  |
| 41                        | 42  | 42   | 42   | 43   | 43   | 44   | 44   | 45   | 46    |  |
| 42                        | 42  | 43   | 43   | 43   | 44   | 44   | 45   | 46   | 47    |  |
| 43                        | 44  | 44   | 44   | 45   | 45   | 46   | 47   | 47   | 48    |  |
| 44                        | 45  | 45   | 45   | 46   | 47   | 47   | 48   | 48   | 49    |  |
| 45                        | 46  | 47   | 47   | 47   | 48   | 48   | 49   | 49   | 50    |  |
| 46                        | 47  | 47   | 47   | 48   | 48   | 49   | 49   | 50   | 50    |  |
| 47                        | 48  | 48   | 49   | 49   | 49   | 50   | 50   | 51   | 51    |  |
| 48                        | 49  | 49   | 49   | 50   | 50   | 50   | 51   | 51   | 52    |  |
| 49                        | 50  | 50   | 50   | 51   | 51   | 51   | 52   | 52   | 52    |  |
| 50                        | 51  | 51   | 51   | 51   | 52   | 52   | 52   | 53   | 53    |  |
| 51                        | 51  | 52   | 52   | 52   | 52   | 53   | 53   | 53   | 54    |  |
| 52                        | 52  | 53   | 53   | 53   | 53   | 53   | 54   | 54   | 54    |  |
| 53                        | 54  | 54   | 54   | 54   | 54   | 54   | 55   | 55   | 55    |  |
| 54                        | 54  | 55   | 55   | 55   | 55   | 55   | 56   | 56   | 56    |  |
| 55                        | 55  | 55   | 55   | 56   | 56   | 56   | 56   | 56   | 57    |  |
| 56                        | 56  | 56   | 57   | 57   | 57   | 58   | 59   | 59   | 60    |  |
| 57                        | 58  | 59   | 59   | 60   | 60   | 61   | 62   | 63   | 63    |  |
| 58                        | 59  | 60   | 60   | 61   | 62   | 62   | 63   | 63   | 64    |  |
| 59                        | 60  | 61   | 61   | 62   | 62   | 63   | 64   | 64   | 65    |  |
| 60                        | 61  | 61   | 62   | 63   | 63   | 64   | 64   | 65   | 65    |  |
| 61                        | 62  | 62   | 63   | 63   | 64   | 65   | 65   | 66   | 66    |  |
| 62                        | 63  | 63   | 64   | 64   | 65   | 65   | 66   | 66   | 67    |  |
| 63                        | 64  | 64   | 65   | 65   | 65   | 66   | 66   | 67   | 68    |  |
| 64                        | 65  | 65   | 65   | 66   | 66   | 66   | 67   | 67   | 68    |  |
| 65                        | 65  | 66   | 66   | 66   | 67   | 67   | 68   | 68   | 69    |  |
| 66                        | 67  | 67   | 68   | 68   | 68   | 69   | 69   | 69   | 70    |  |
| 67                        | 68  | 68   | 68   | 69   | 69   | 69   | 70   | 70   | 70    |  |
| 68                        | 68  | 69   | 69   | 69   | 70   | 70   | 70   | 71   | 71    |  |
| 69                        | 70  | 70   | 70   | 70   | 71   | 71   | 71   | 72   | 72    |  |
| 70                        | 70  | 71   | 71   | 71   | 71   | 72   | 72   | 73   | 73    |  |
| 71                        | 72  | 72   | 72   | 73   | 73   | 73   | 74   | 74   | 74    |  |
| 72                        | 73  | 73   | 73   | 73   | 74   | 74   | 74   | 74   | 75    |  |
| 73                        | 73  | 74   | 74   | 74   | 74   | 75   | 75   | 75   | 76    |  |
| 74                        | 74  | 75   | 75   | 75   | 75   | 76   | 76   | 76   | 76    |  |
| 75                        | 75  | 76   | 76   | 76   | 76   | 77   | 77   | 77   | 77    |  |
| 76                        | 76  | 76   | 77   | 77   | 77   | 77   | 77   | 77   | 77    |  |
| 77                        | 77  | 77   | 77   | 78   | 78   | 78   | 78   | 78   | 78    |  |
| 78                        | 78  | 78   | 78   | 79   | 79   | 79   | 79   | 80   | 80    |  |
| 79                        | 79  | 80   | 80   | 80   | 80   | 0.01 | 0.01 | 0.01 | 0.012 |  |
| 80                        | 80  | 0.01 | 0.01 | 0.01 | 0.01 | 0.01 | 0.01 | 0.01 | 0.011 |  |

# LIGHTING PREPARATION

## FOR YOUR SAFETY - READ BEFORE LIGHTING

---

### WARNING

If you do not follow these instructions exactly a fire or explosion may result causing property damage, personal injury or loss of life.

---

**A.** This appliance has a pilot which is lit with a push button Piezo lighter. When lighting the pilot follow these instructions exactly.

**B. BEFORE LIGHTING** smell all around the appliance area for gas. Be sure to smell next to the floor because some gas is heavier than air and will settle on the floor.

#### *WHAT TO DO IF YOU SMELL GAS*

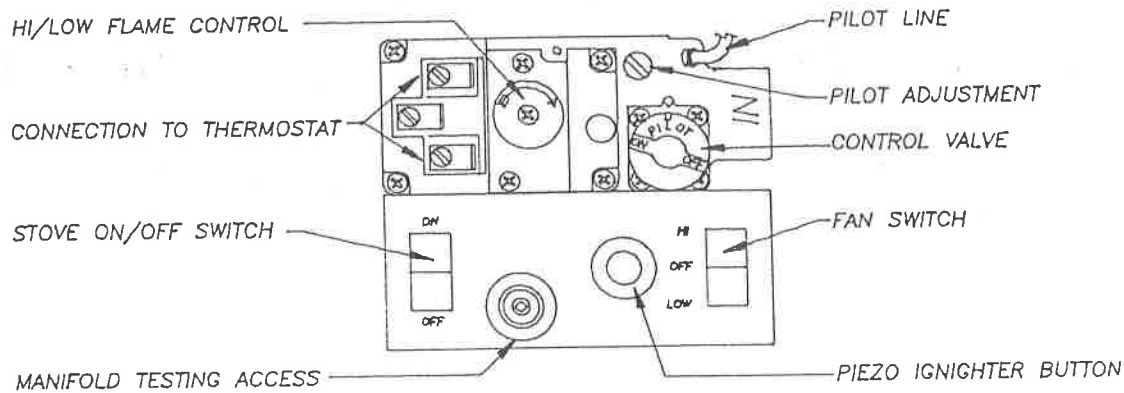
- Do not try to light any appliance.
- Do not touch any electric switch; do not use any phone in your building.
- Immediately call your gas supplier from a neighbor's phone. Follow the gas supplier's instructions.
- If you cannot reach your gas supplier call the fire department.

**C.** Use only your hand to push in or turn the gas control knob. Never use tools. If the knob will not push in or turn by hand don't try to repair it call a qualified service technician. Force or attempted repair may result in a fire or explosion.

**D.** Do not use this appliance if any part has been under water. Immediately call a qualified service technician to inspect the appliance and to replace any part of the control system and any gas control which has been under water.

# LIGHTING INSTRUCTIONS

1. **STOP!** Read the safety information above on this page.
2. Set optional wall thermostat to Lowest setting, or turn appliance switch to off.
3. Controls are accessed by opening right side door panel.
4. Turn both rocker switches to "OFF" Position.
5. Push in gas control knob slightly and turn clockwise to "OFF."



**NOTE:** Knob cannot be turned from "PILOT" to "OFF" unless knob is pushed in slightly. **DO NOT FORCE.**

6. Wait five (5) minutes to clear out any gas. If you then smell gas **STOP!** Follow "B" in the safety information on the previous page. If you don't smell gas go to next step.
7. Turn Control Knob Counter clockwise to "Pilot" Position.
8. Depress Control knob and Push in Piezo Igniter Button. Once Pilot ignites continue to hold the control knob in for about one (1) minute after the pilot is lit. Release knob and it will pop back up. Pilot should remain lit. If it goes out repeat step (8).

- If knob does not pop up when released stop and immediately call your service technician or gas supplier.
- If the pilot will not stay lit after several tries turn the gas control knob to "OFF" and call your service technician or gas supplier.

9. Turn gas control knob counterclockwise to "ON" Turn on all electric power to the appliance. Set thermostat to desired setting.

## TO TURN OFF GAS TO APPLIANCE

1. Set the thermostat to Lowest setting.
2. Turn off all Electric power to the appliance if service is to be performed.
3. Push in gas control knob slightly and turn clockwise to "OFF". **DO NOT FORCE.**

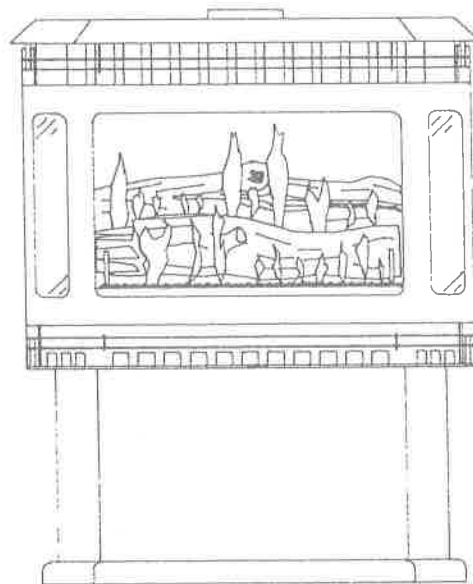
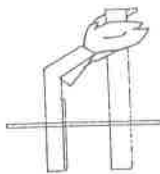
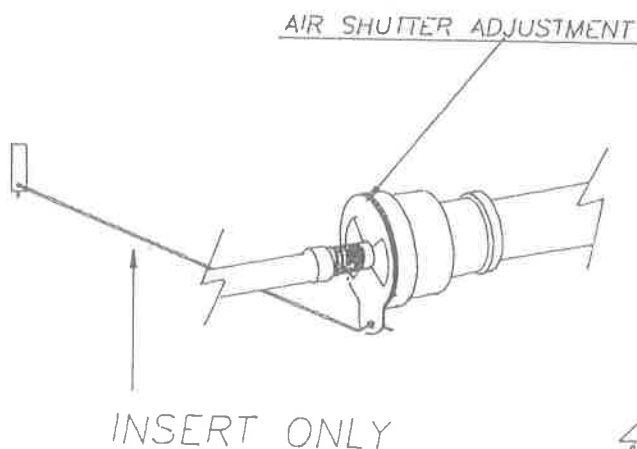
## GAS FLAME ADJUSTMENT

To adjust the flame so it has the proper shape and color without making soot on the glass or logs.

The primary air shutter should be set approximately 1/2 open for Natural Gas and approximately full open for LP Gas.

To adjust, open shutter until the flame turns blue, then close shutter until a soft red flame is obtained. The shutter is spring loaded so it will stay in that position.

If this makes soot on either the logs or glass the setting must be opened gradually until the glass and logs stay clean.



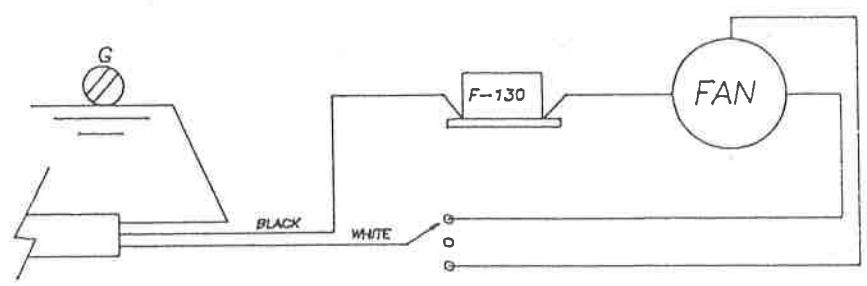
The pilot flame must envelop approximately 1/2 of the Millivolt Generator. It must burn clean. Refer to page 17 for pilot adjustment.

Periodically checking of the flame pattern is necessary. The flame should look approximately like the picture. The base of the flame must not rise above burner plate. All parts must be lit. If there are any problems contact your serviceman.

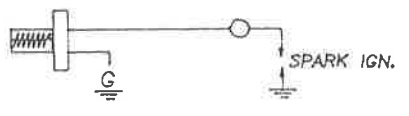
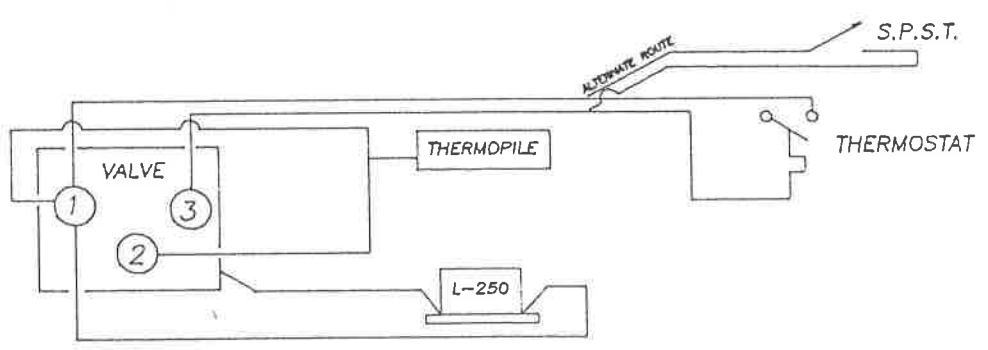


# WIRING DIAGRAMS

A C



MILLIVOLT



# REPLACEMENT PARTS LIST

| <u>Part Name</u>              | <u>Part#</u> | <u>Part Name</u>              | <u>Part#</u> |
|-------------------------------|--------------|-------------------------------|--------------|
| 1. Gas Valve                  | 718          | 15. Electrode                 | 738          |
| 2. Fan                        | 719          | 16. Fiber embers              | 745          |
| 3. PG9 Pilot                  | 721          | 17. Pressure Reg. Natural Gas | 747          |
| 4. Gas Orifice                | 722          | 18. 90" Glass Gasket          | 0254         |
| 5. 7/16 I.D. X 1/2 Spring     | 723          | 19. 80" Door Rope             | 0381         |
| 6. On/Off Switch              | 725          | 20. Power Cord                | 0518         |
| 7. Side Glass (4 1/2 X 105/8) | 728          | 21. F130 Snap Disc.           | 1144A        |
| 8. Dr Glass (17-1/4 X 10-5/8) | 729          | 22. F250 Snap Disc.           | 1146A        |
| 9. Front Log                  | 730          | 23. Door                      | 9018         |
| 10. Back Log                  | 731          | 24. Trim Mounting Bracket     | 9031         |
| 11. Door Latch                | 733          | 25. Front Decor               | 9032         |
| 12. Propane Kit               | 734          | 26. Wood Base(appliance only) | 9079         |
| 13. Wall Thermostat           | 736          | 27. Lower Heat Exchanger      | 9062         |
| 14. Push Button Ignitor       | 737          | 28. Fan Switch                | 725          |
|                               |              | 29. Upper Shroud Trim         | 9186         |
|                               |              | 30. Lower Shroud Trim         | 9187         |

Call your local *BLAZE KING* dealer or contact *BLAZE KING INDUSTRIES*.

B.K.I., INC. · P.O. Box 367 · College Place, Washington 99324  
(509) 522-2730

