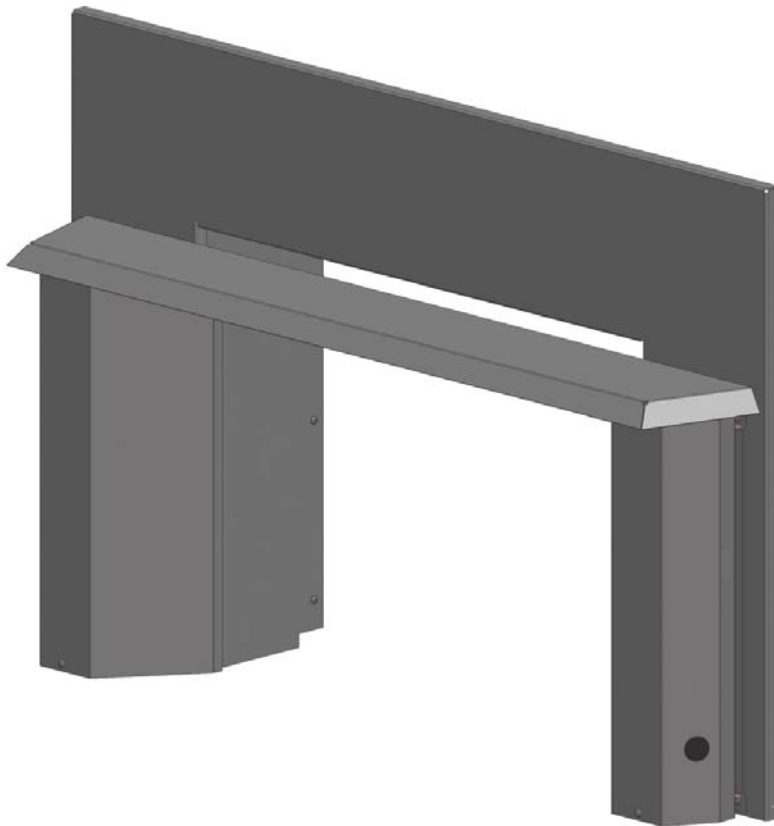


Blaze  King
Briarwood Shroud
Z1523BK



INSTALLATION MANUAL

Manufactured By

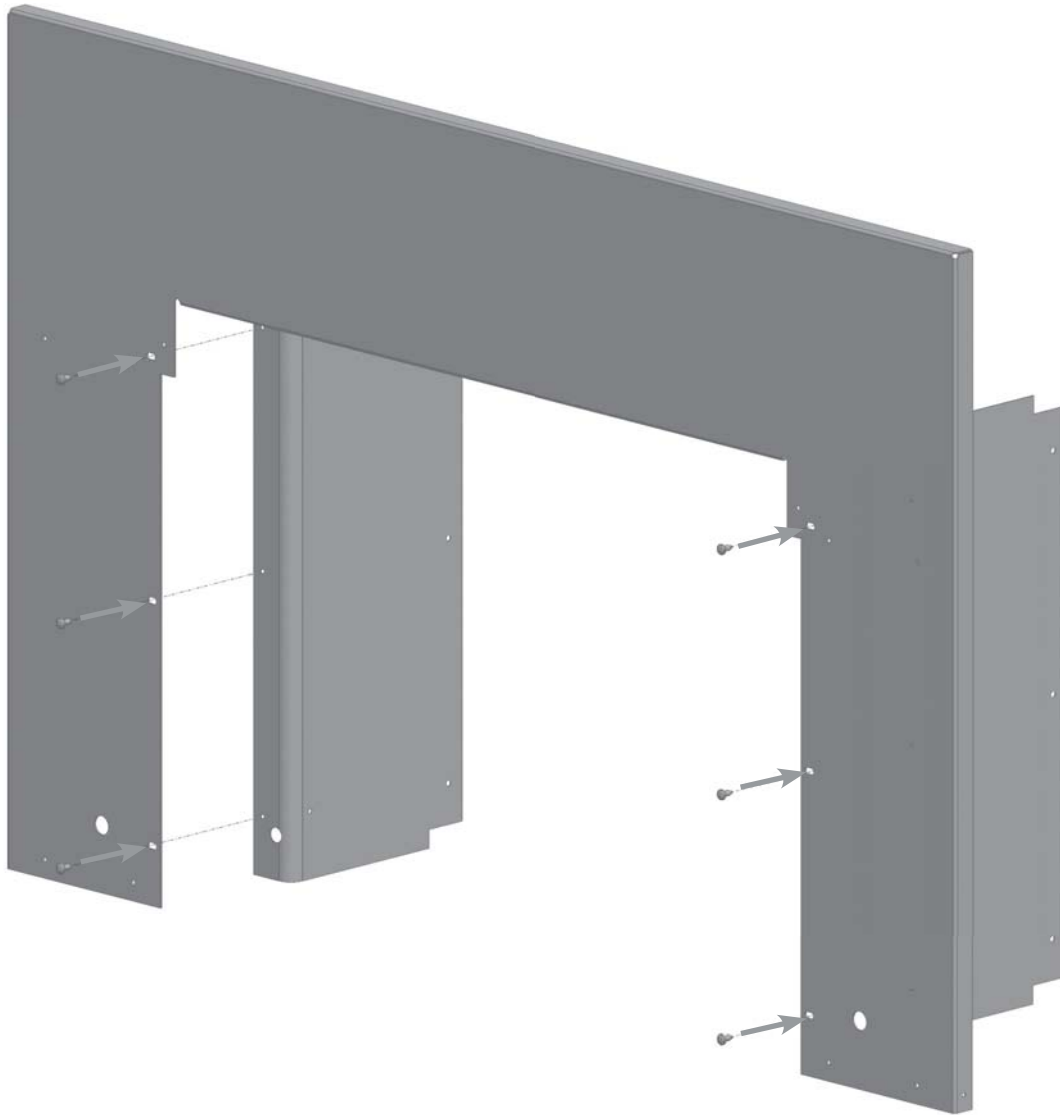
Valley Comfort Systems Inc.
1290 Commercial Way
Penticton, BC V2A 3H5
CANADA
Phone: 250-493-7444
Fax: 250-493-5833

Blaze King Industries
146 A Street
Walla Walla, WA 99362
U.S.A.
Phone: (509) 522-2730
Fax: (509) 522-9803

Pour la version française de nos manuels S.V.P. vous référez à notre site web: www.blazeking.com

INSTALLATION cont.

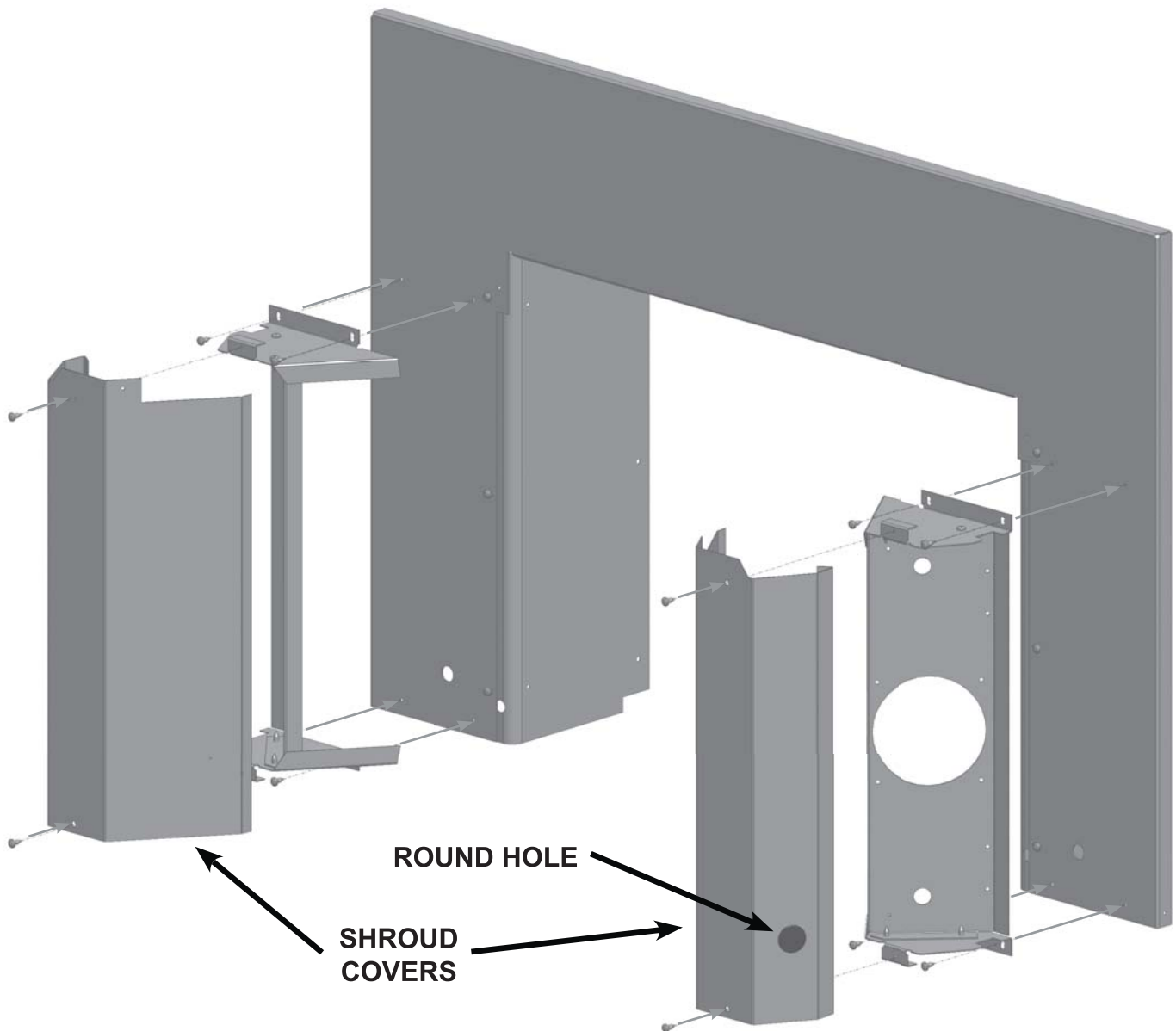
3. The shroud is shipped with the side extensions removed, they must be assembled on the shroud at this time. To attach the side extensions place the short side of the “L” shaped extension against the back of the shroud and attach with 3 screws. Slide the shroud assembly into shield box. The side extensions and the inside flange on the shroud, must slide inside the shield box.



4. Slide the assembly in until the shroud is against the front face of the fireplace. The shield box is adjustable to fit most fireplaces and flues. When the shield box is in the best location proceed to the next step.
5. While you have the shroud in place measure carefully to ensure you have adequate minimum clearances to all combustibile material. Clearances to combustibles are listed on the appliance label.
6. Your insert comes without a fan. An electrical harness is provided for future installation. (Note: It is necessary to use the grommets where the wire passes through the holes on each of the shroud parts to avoid damage to the wire.) IF YOU PURCHASED THE OPTIONAL FANS GO TO “OPTIONAL FAN INSTALLATION” on page 6 BEFORE PROCEEDING

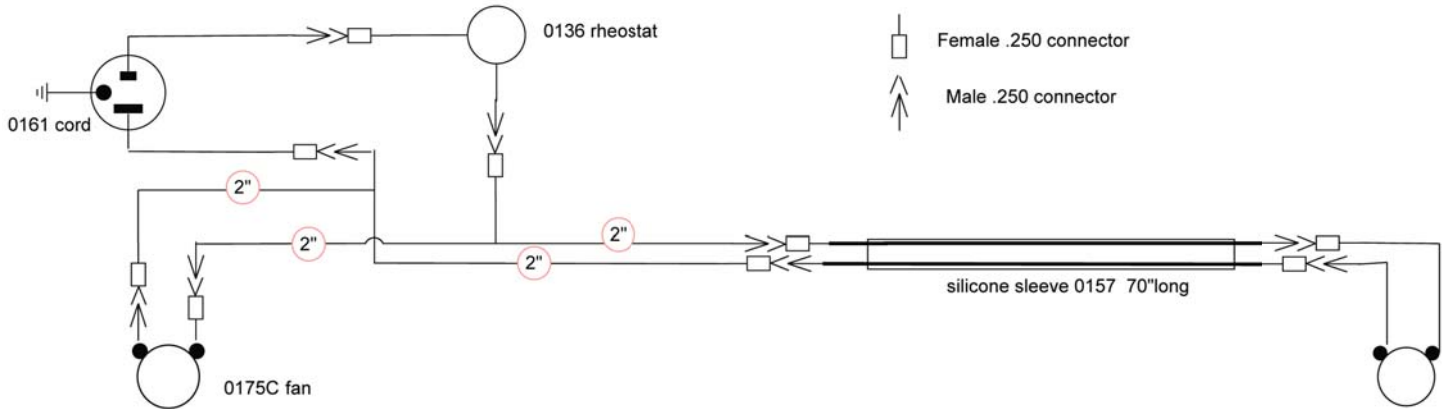
INSTALLATION cont.

7. If you have not purchased the optional fans you must now install the fan housing pieces. The housing attaches with 2 screws top & bottom with the large "ROUND HOLE" facing out. Removing the "SHROUD COVERS" (4 screws) makes installation easier.

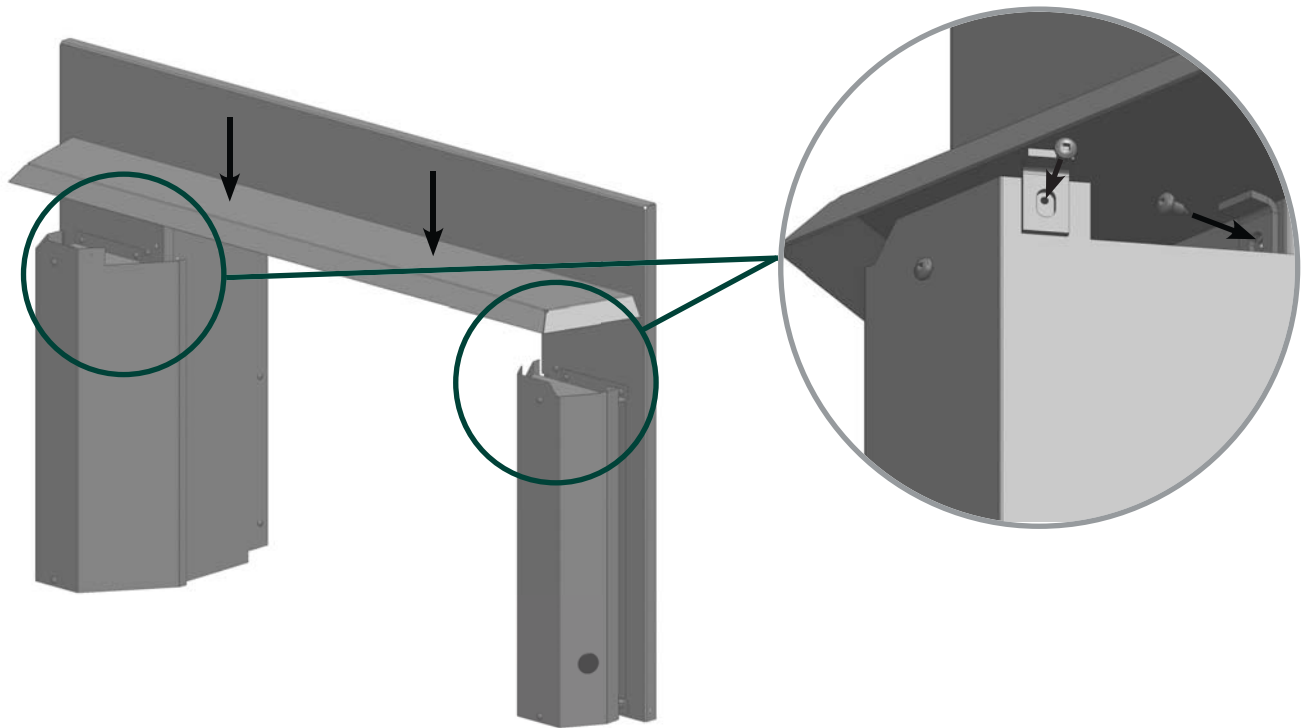


INSTALLATION cont.

8. Attach rheostat knob if fan kit installed, and connect the AC cord as required.



9. Install the shroud lid using four sheet metal screws to attach it to the shroud and the fan covers.



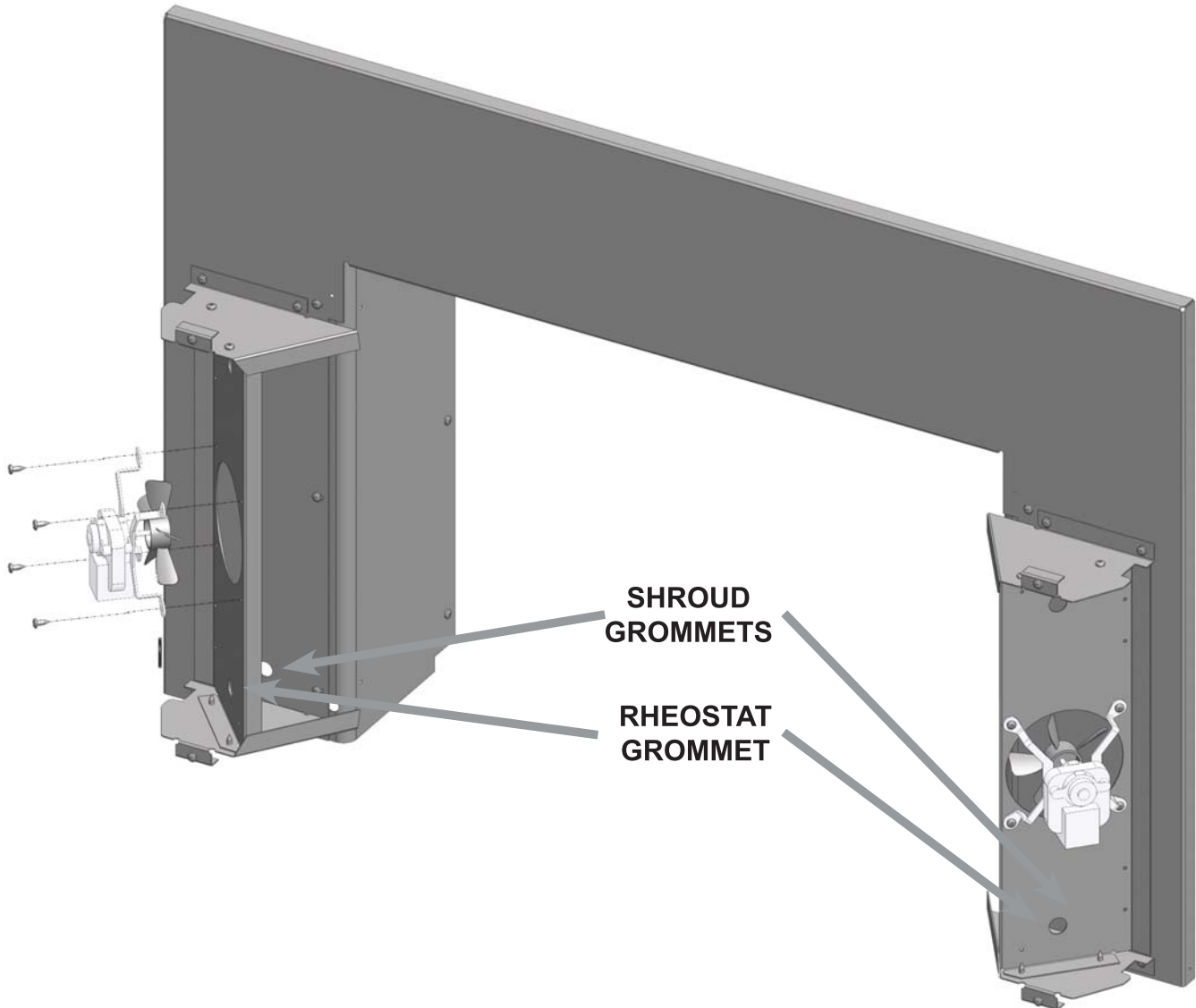
10. Install the hearth protection in front of your insert as required by the minimum clearances noted on the appliance safety label. Do not fire your insert unless you have the proper clearances and protection of combustible material as required by the safety label.

11. Recheck your installation carefully. Have your installation inspected by the authority having jurisdiction. See the operation manual for firing instructions and have a nice cozy winter.

OPTIONAL FAN INSTALLATION

Note: The following instructions pertain to both fans on the left and right sides of the stove.

1. Determine which side of the stove the power cord for the fan should be located.
2. Install ``SHROUD GROMMETS`` in the 5/8" hole on each side of the shroud. Install a ``RHEOSTAT GROMMET`` in the bottom 5/8" hole of the fan housing piece which will contain the rheostat. (see Fig 1 as well)



3. Slide the wires, which are attached to the shield box, through the grommets on the shroud. Note: It may be easier to slide the wire with the larger male connector through first.

OPTIONAL FAN INSTALLATION cont.

4. Install Bomax fan (with printing on fan right side up) and finger screen (Fig 1). The fan attaches from the front, to the fan housing, with the finger screen attaching under the outside with 2 fan mounting screws. The screen will need to be bent to act as a finger protector (Fig 2).
5. Mount the rheostat, with 2 screws, as shown (Fig 2). Connect the green ground wire by using the green screw & star washer provided. Be sure to place the star washer between the round lug & the frame of the housing. Insert a wire, from the rheostat, with a male connector and a wire with a female connector through the grommet in the fan housing. Connect these 2 wires to the male and female connectors on the shield box wiring harness. Connect the remaining male & female connectors to the fan. Connect shield box wiring harness, on other side of unit, to fan on other side using same method.



Fig 1

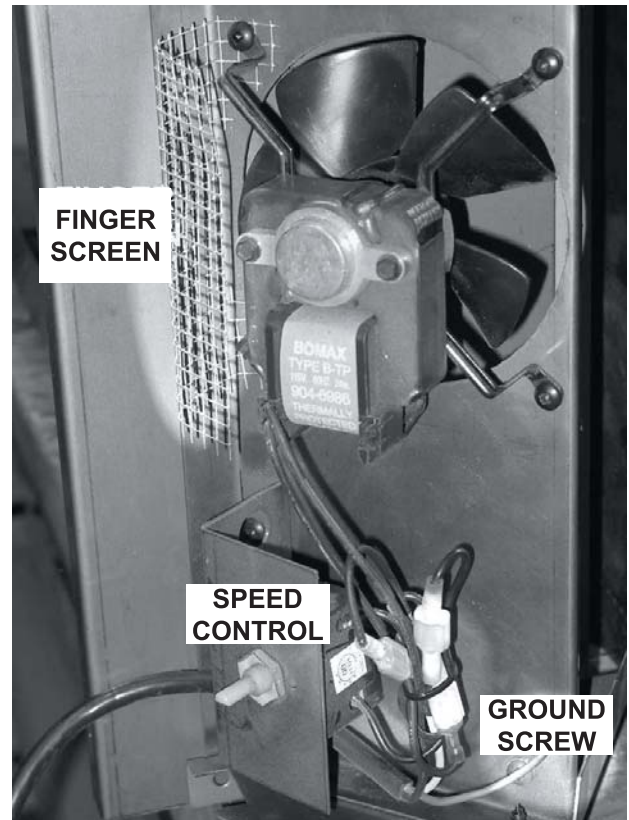


Fig 2

**See the electrical drawing for electrical connection.
 Note: the fans are connected in parallel.**

