

Blaze  King

**Z1626BK**

**Torino II Insert Shroud**



**Manufactured by**

**Valley Comfort Systems Inc.**

1290 Commercial Way  
Penticton, BC V2A 3H5  
CANADA

Phone: 250-493-7444

Fax: 250-493-5833

**Blaze King Industries**

146 A Street  
Walla Walla, WA 99362  
U.S.A.

Phone: (509) 522-2730

Fax: (509) 522-9803

# Z1626BK Insert Shroud

After the Torino insert is placed in the fireplace, the shroud has to be installed. Install the larger shroud as shown in (Fig 3) and connect the wires labeled “switch” to the switch on the shroud.

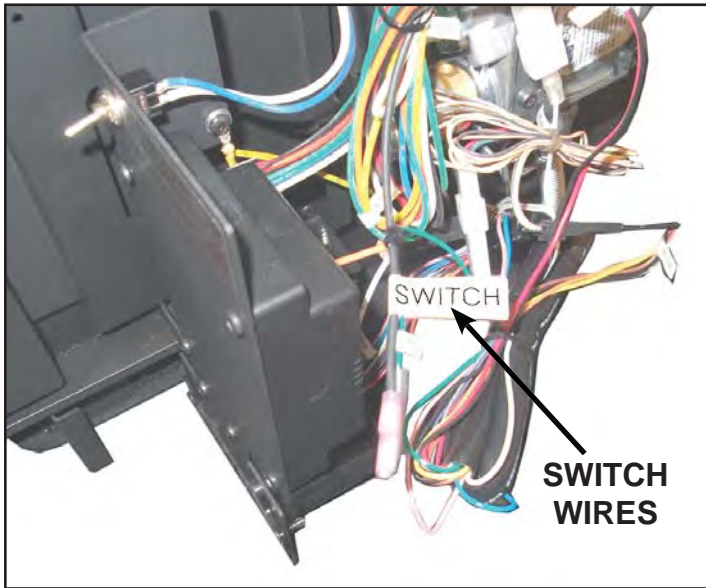


Fig. 1

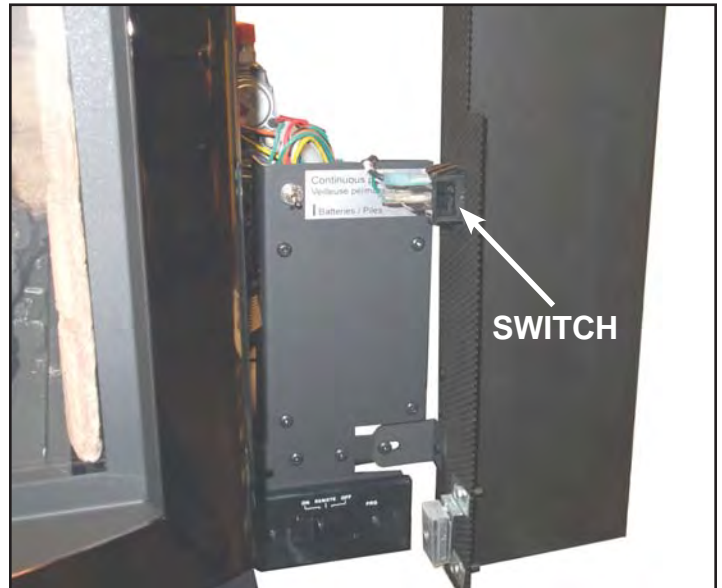


Fig. 2

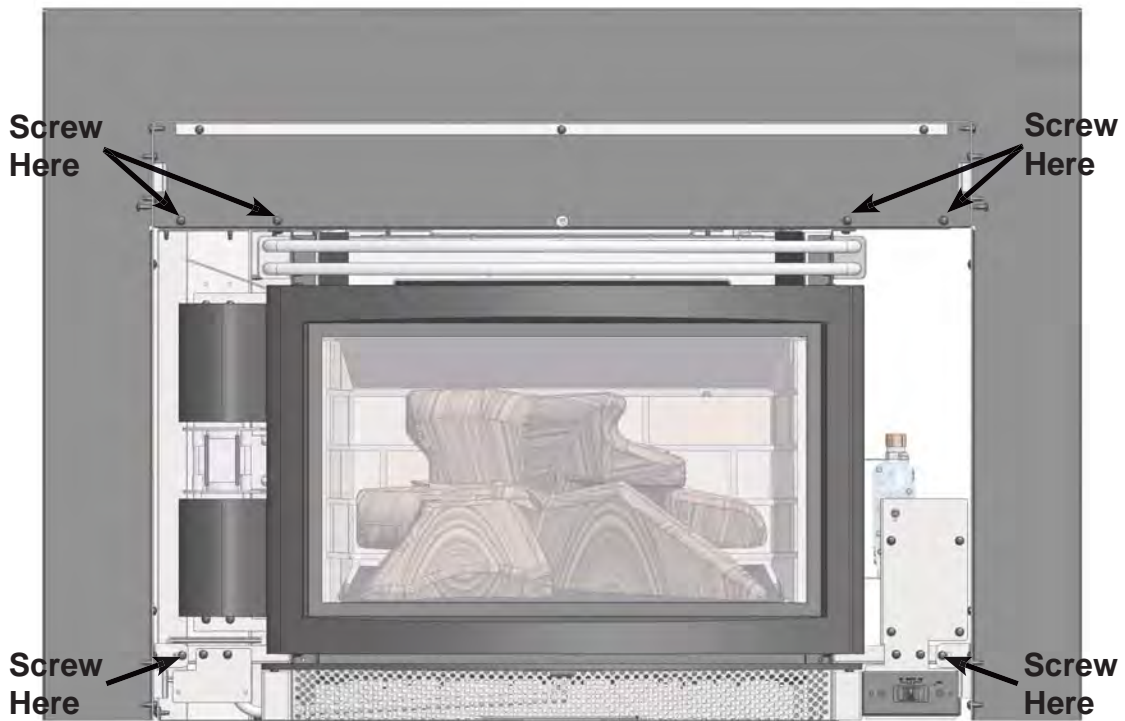
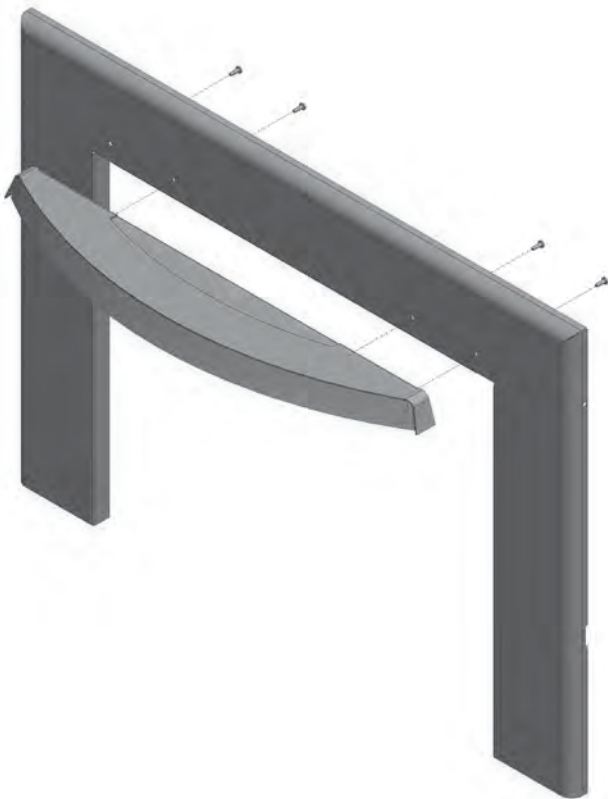
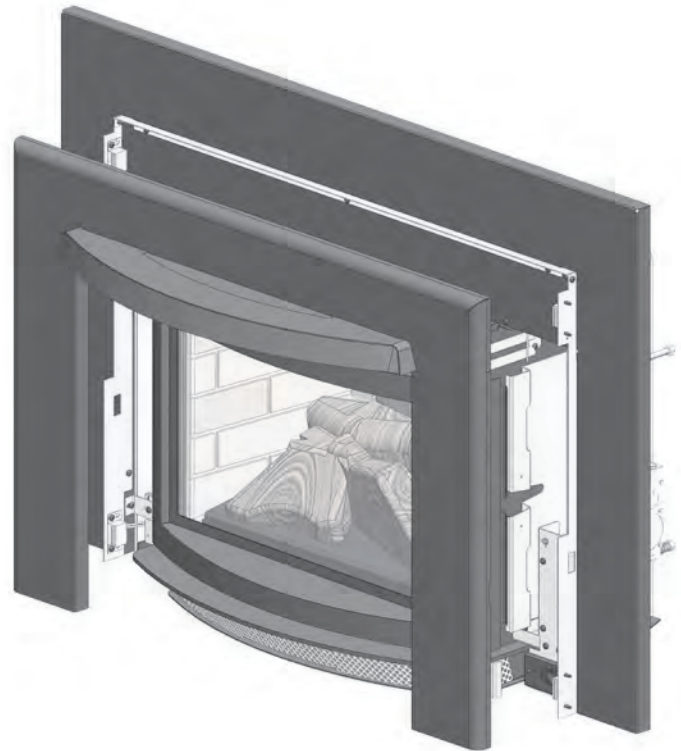


Fig. 3



**Fig. 4**



**Fig. 5**



**Fig. 6**

