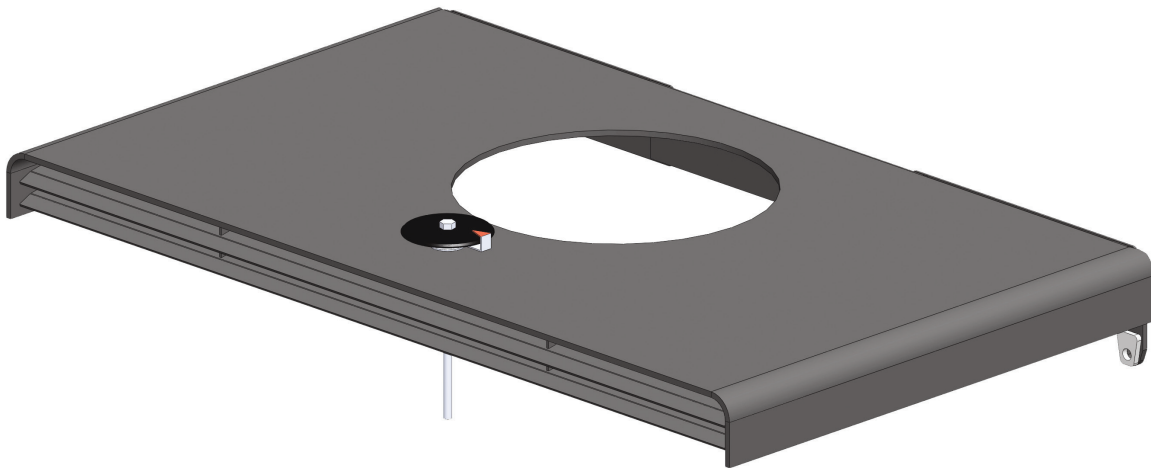




## **Z2610BK & Z2710BK**

**Z2610BK Convection Deck for Sirocco SC20**

**Z2710BK Convection Deck for Sirocco SC30**



### **Manufactured By**

**Valley Comfort Systems Inc.**

1290 Commercial Way  
Penticton, BC V2A 3H5  
CANADA

Phone: 250-493-7444

Fax: 250-493-5833

**Blaze King Industries**

146 A Street  
Walla Walla, WA 99362  
U.S.A.

Phone: (509) 522-2730

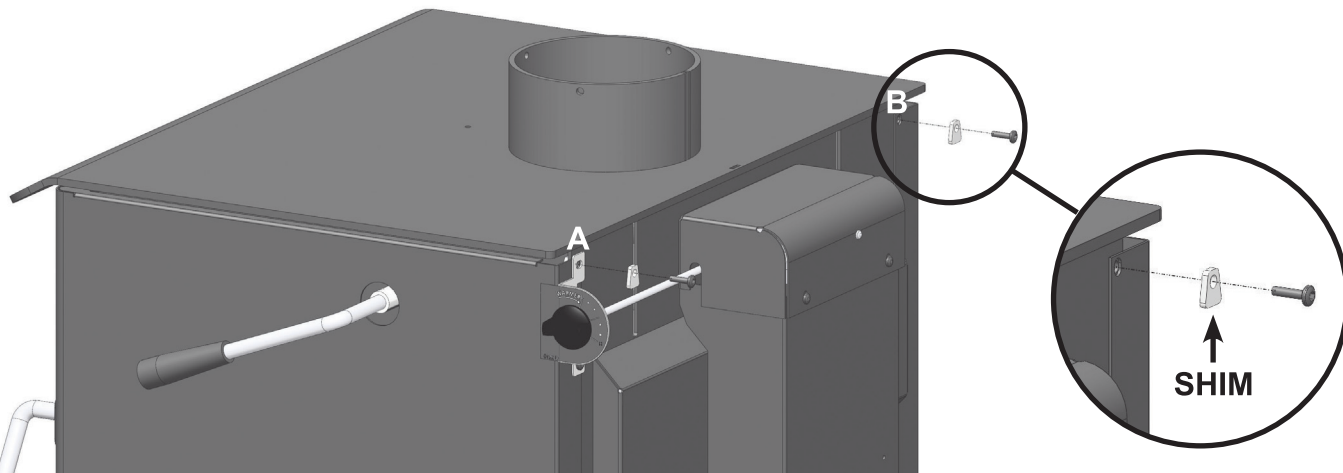
Fax: (509) 522-1701

# Z2610BK CONVECTION DECK

## INSTALLATION INSTRUCTIONS

TOOLS NEEDED FOR INSTALLATION: 5/32" Allen wrench  
INSTALLATION

1. Remove 2" catalytic thermometer from stove top.
2. Unscrew top allen bolts from back of stove. (Fig.1 A&B)
3. Thread bolts with SHIMS (from kit) back into holes A&B until bolt threads just catch. (Fig.1)



4. Hold the convection deck above the stove top, around flue collar, and align "KEY HOLES" with the bolts. (Fig.2)
5. Position the convection deck past the bolt heads, set down on stove top, and tighten bolts A&B. (Fig.2)
6. Insert 4" catalytic thermometer (from kit) into through hole in convection deck and down into stove. (Fig.2)

