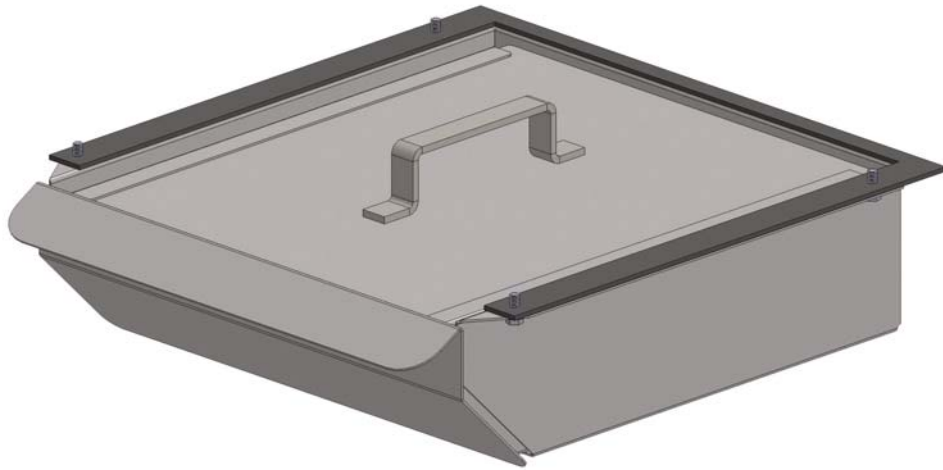


Blaze  King

Z2620

**OPTIONAL ASH DRAWER
for SC20 & SC30**



**USE WITH SOLID FUEL WOOD HEATERS
SAVE THESE INSTRUCTIONS**

Manufactured By

Valley Comfort Systems Inc., 1290 Commercial Way, Penticton, BC, V2A 3H5, Canada
Phone: 250-493-7444 ♦ Fax: 250-493-5833 ♦ www.blazeking.com ♦ info@blazeking.com

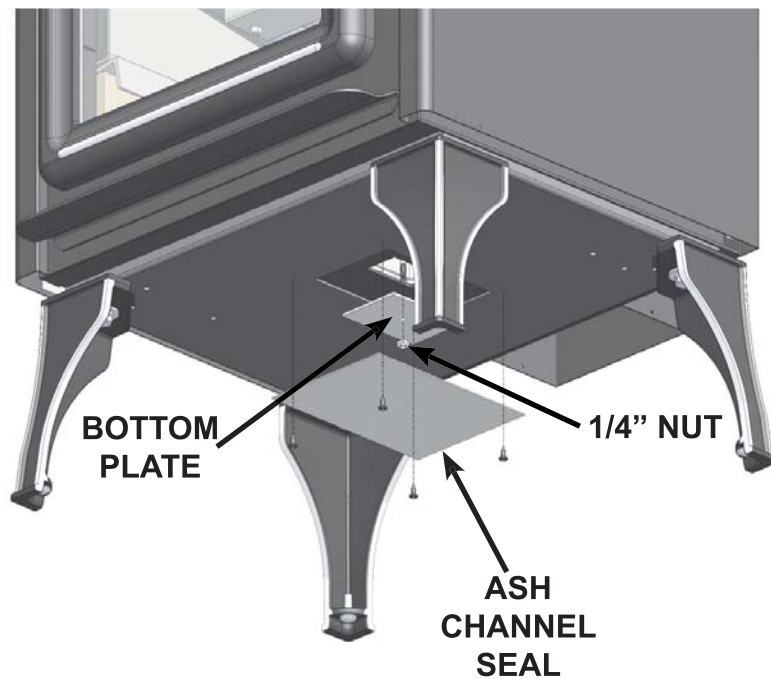
Z2620 ASH DRAWER

INSTALLATION

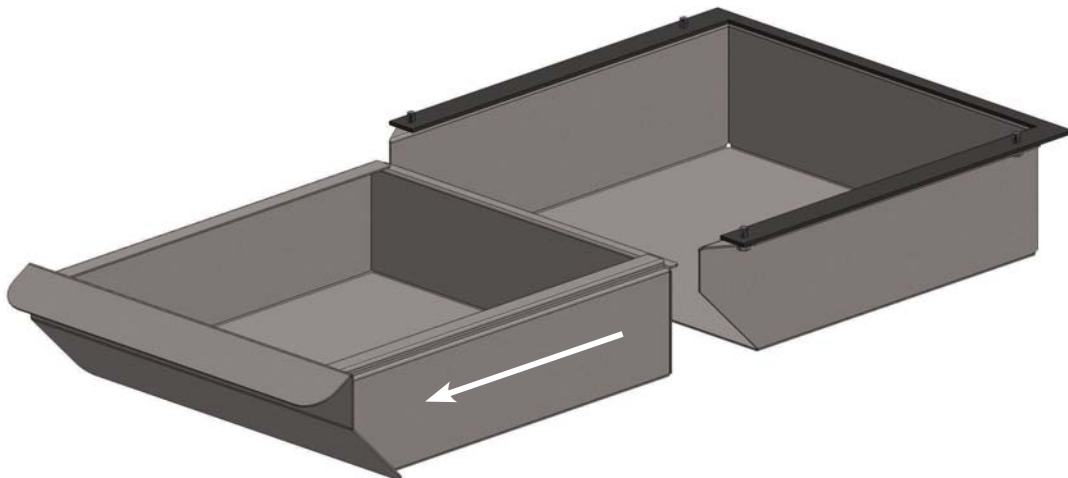
WARNING

DO NOT TURN OVER OR LAY STOVE ON IT'S SIDE. THIS WILL CAUSE THE BRICKS TO FALL OUT OF THEIR POSITION AND BREAK. THE ATTACHMENT OF THE ASH PAN MUST BE PERFORMED AFTER LEGS HAVE BEEN ATTACHED.

1. Remove "ASH CHANNEL SEAL" by unscrewing the four #10 screws. Remove the "1/4 inch NUT" and "BOTTOM PLATE".

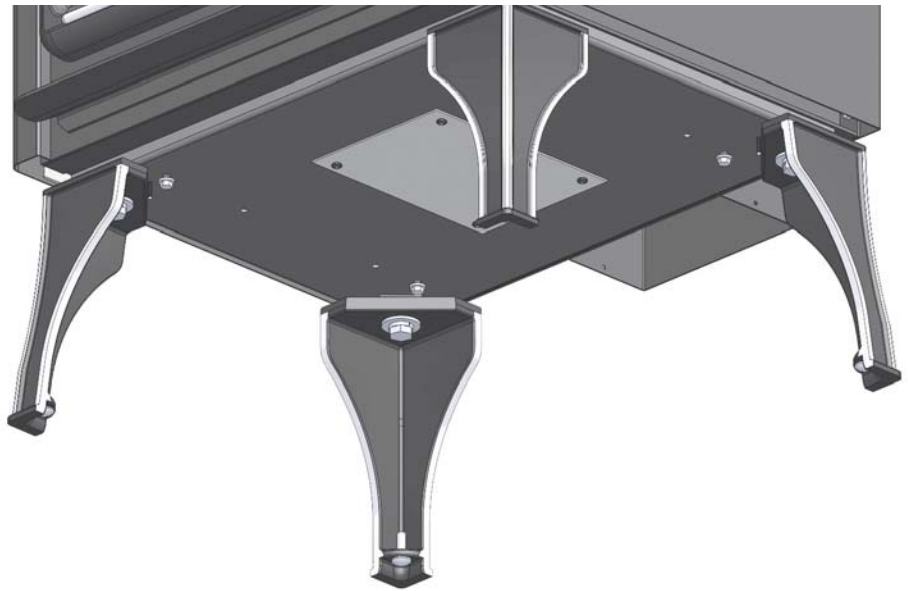
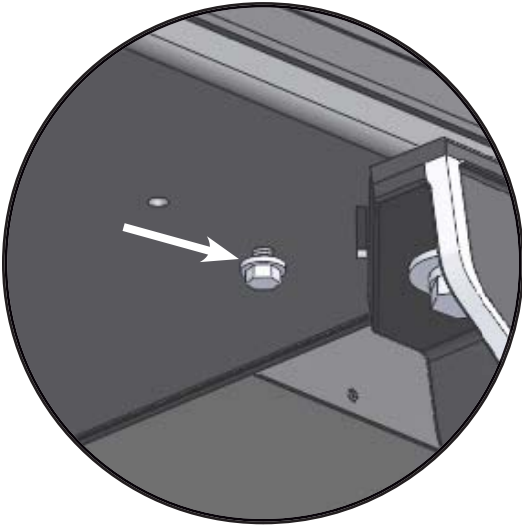


2. Remove drawer from ash drawer case.

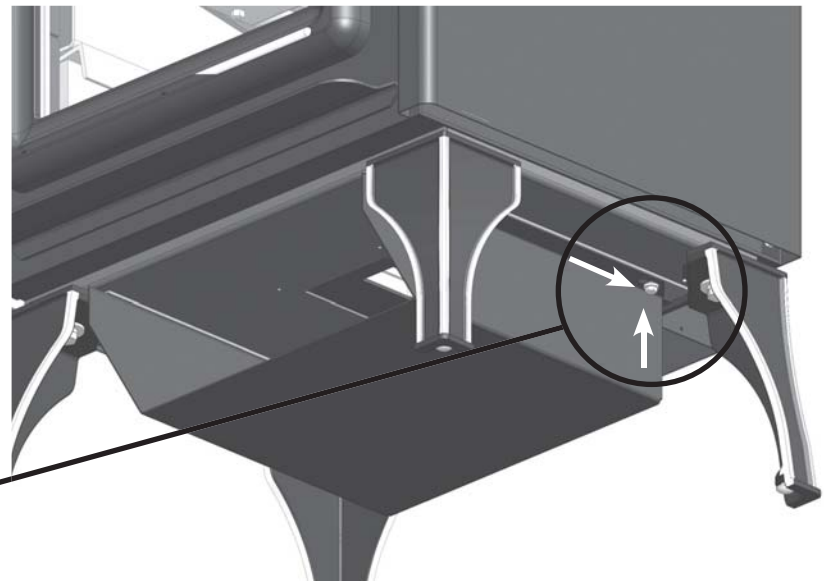
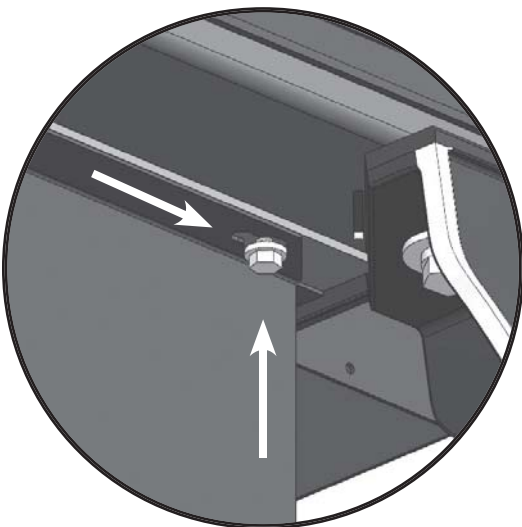


INSTALLATION cont.

3. Begin to thread in all four 1/4"-20 washer bolts until halfway in (included w/ ash drawer kit).



4. Utilizing the key holes on the top of the case, slide the case into place by pushing it against the bottom of the stove and then pushing it towards the back of the stove (use the half turned in bolts as guide pins).



5. Once the case is in position, finish tightening the four bolts into the stove bottom.
6. Slide ash drawer back into drawer case.

Z2620 ASH DRAWER

DISPOSAL OF ASHES

⚠ WARNING

NEVER STORE HOT ASHES IN A GARAGE OR BASEMENT. HOT ASHES WILL GENERATE CARBON MONOXIDE AND/OR FLAMMABLE GASES. THESE GASES MAY CAUSE SUFFOCATION.

Ashes should be placed in a metal container with a tight fitting lid. The closed container of ashes should be placed on a non combustible floor or on the ground, well away from all combustible materials, pending final disposal. If the ashes are disposed of by burial in soil or otherwise locally dispersed, they should be retained in the closed container until all cinders have thoroughly cooled.

ASH REMOVAL

The ashes should be removed any time they come within one inch of the door's lower sill. A thick bed of ashes will significantly limit the amount of wood you can get in the firebox. Wood burns best in a bed of ashes 1/2 inch to one inch thick. It is not necessary or advisable to completely remove all of the ashes when cleaning this wood stove.

ASH PAN REMOVAL

⚠ WARNING

REMOVE ASHES ONLY WHEN THEY ARE COOL. NEVER STORE HOT ASHES IN A GARAGE OR BASEMENT. HOT ASHES WILL GENERATE CARBON MONOXIDE AND / OR FLAMMABLE GASES. THESE GASES MAY CAUSE SUFFOCATION BE SURE YOU OBSERVE THE SAFETY INSTRUCTIONS REGARDING "DISPOSAL OF ASHES" DESCRIBED ABOVE.

1. After the ash bed has cooled down, remove the ash plug located at the bottom centre of the firebox by slipping a poker or similar tool through the small handle loop on the top of the plug.
2. Scrape the ashes down through the open ash dump hole and into the ash pan fitted into the ash drawer carrier. Do not be concerned about "cleaning" the fire box completely as the next fire will burn better on a small bed of ash (up to ½" deep).
3. When the necessary ashes have been dumped down the ash dump into the ash pan clean out the area around the dump to ensure that the plug fits properly back into the ash dump.
4. **REPLACE THE ASH DUMP PLUG CAREFULLY TO ENSURE PROPER SEATING; NEVER OPERATE THE STOVE WITH THE PLUG REMOVED. TO OPERATE THE STOVE WITH THE PLUG REMOVED OR NOT PROPERLY IN PLACE IS DANGEROUS.**
5. After you have replaced the ash dump plug spread the remaining ashes across the firebox and cover the ash dump plug with a layer of ashes.
6. **ENSURE THE ASH PAN HAS COOLED DOWN AND IS SAFE TO HANDLE**
Slide the ash drawer carrier open and remove the ash pan.
CAUTION: ENSURE THE ASH PAN HAS COOLED DOWN BEFORE REMOVAL.
7. Dispose of the ashes in a safe manner as described above: "DISPOSAL OF ASHES".
8. Ensure the ash drawer carrier is clean before placing the ash pan back in. Replace the ash pan into its carrier. It is important that the ash pan is properly inserted into the ash drawer carrier.

