



**ARCHED SHROUD  
Z7423  
FOR THE CALDERA**

**INSTALLATION  
INSTRUCTIONS**



# INSTRUCTIONS

Thank you for purchasing the Caldera Arched Shroud.  
These instructions will guide you to the installation of this shroud.

**WARNING: This shroud is ONLY suitable for the Caldera fireplace made by Blaze King, don't attempt to use this shroud for any other appliance(s), fire or burns may result, causing property damage, personal injury or loss of life.**

**Ensure the stove is completely cooled before you start installation. Make sure switch on the Battery pack / Receiver is in OFF position.  
Turning the electric supply off will not prevent unexpected ignition !!**

## 1. Remove the Glass Door

- Remove the top & bottom louvers.
- Unhook the door latches found on the bottom of the firebox.
- Carefully lift and remove the door (be careful not to drop the glass).
- Place the door in a safe location where it cannot be scratched or damaged.

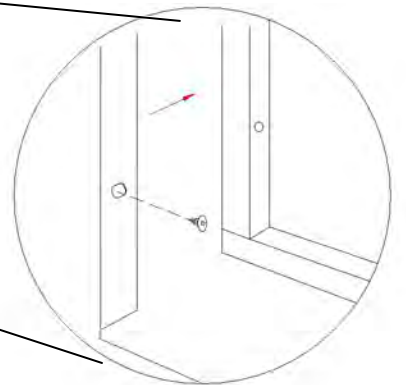
## 2. Attach the Shroud

- Place the Arched Shroud in front of the fireplace with the doors open and attach with 4 screws, 2 on the left, 2 on the right (see Fig. 2)
- For easier installation, the doors of the shroud can be taken off.
- Adjust both doors by loosening hinge mounting screws and adjust to provide equal and uniform gaps.

## 3. Re-install

- Re-install glass door (check if sealed correctly)
- Re-install guard & louvers

Enjoy your new Caldera Arched Shroud.....



**Fig 2**