

CANADIAN HEARTH PAD  
 \*18" FROM FRONT FLANGE TO PAD FRONT  
 \*8" FROM UNIT SIDES TO PAD SIDES  
 \*8" FROM UNIT BACK TO PAD BACK

**18+26 3/8+8 = 52 3/8" DEEP**

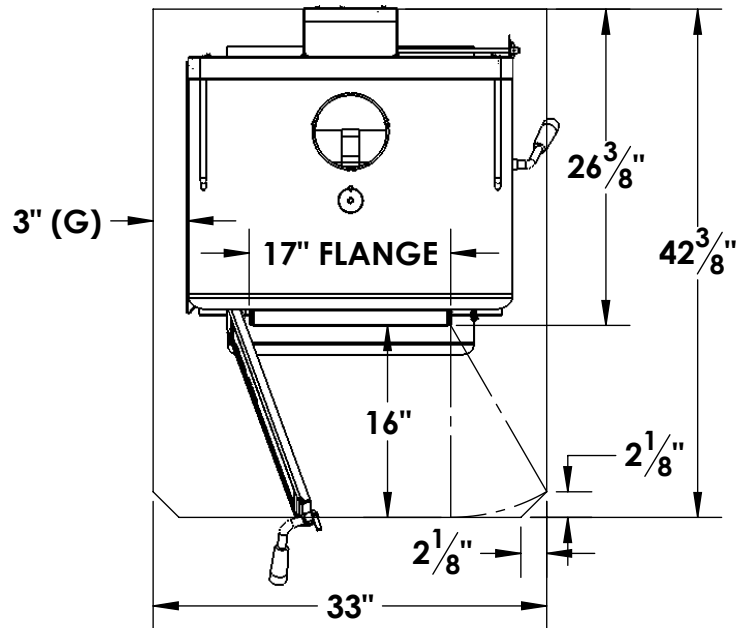
**8+27+8 = 43" WIDE**

USA HEARTH PAD  
 \*16" FROM FRONT FLANGE TO PAD FRONT  
 \*8" FRONT FLANGE SIDES TO PAD SIDES  
 \*0" REAR CLEARANCE

**16+26 3/8+0 = 42 3/8" DEEP**

**8+17+8 = 33" WIDE**

**G = 8-5 = 3"**



<b>Valley Comfort Systems Inc</b>		
1290 Commercial way Penticton, BC V2A 3H5		
Part Name		Part Number
PE1006 Hearth Pad		
Date	Revision date	Model
Oct 23 13	??	PE1006
Drawn By	Quantity per	Material / Thickness
TJ	1	
All Dimensions in Inches		
Tolerance		
General	Hole Size	Hole Pos
+/- 0.03	+/- 0.005	+/- 0.03
Angles	PUNCH BLANK SIZE:	
+/- 0.5	LASER BLANK SIZE:	

All Dimensions in Inches			
Tolerance			
General	Hole Size	Hole Pos	Angles
+/- 0.03	+/- 0.005	+/- 0.03	+/- 0.5
PUNCH BLANK SIZE:			
LASER BLANK SIZE:			