

**CANADIAN FLOOR PROTECTION**

\*18" FRONT FLOOR PROTECTION TO FLANGE

\*8" FRONT FLANGE SIDES TO PAD SIDES

**8+16 3/4(flange)+8 = 33" WIDE**

**18+11 1/2 = 29 1/2" DEEP**

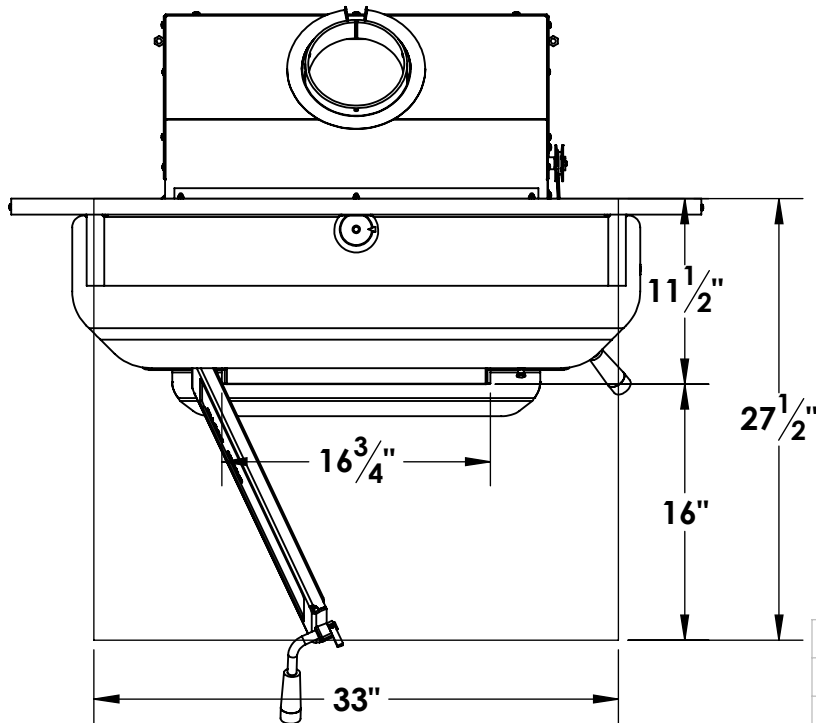
**USA FLOOR PROTECTION**

\*16" FRONT FLOOR PROTECTION TO FLANGE

\*8" FRONT FLANGE SIDES TO PAD SIDES

**8+16 3/4(flange)+8 = 33" WIDE**

**16+11 1/2 = 27 1/2" DEEP**



|  |               |                      |             |
|--|---------------|----------------------|-------------|
| <b>Valley Comfort Systems Inc</b><br>1290 Commercial way Penticton, BC V2A 3H5 |               |                      |             |
| Part Name  |               |                      | Part Number |
| PI1010A floor protection   |               |                      |             |
| Date   | Revision date | Model                |             |
| Sep 9 15   | ??            | PI1010A              |             |
| Drawn By   | Quantity per  | Material / Thickness |             |
| TJ   | 1             |                      |             |
| All Dimensions in Inches   |               |                      |             |
| Tolerance  |               |                      |             |
| General  | Hole Size     | Hole Pos             | Angles      |
| +/- 0.03   | +/- 0.005     | +/- 0.03             | +/- 0.5     |
| WEIGHT:  |               |                      |             |
| PUNCH BLANK SIZE:  |               |                      |             |
| LASER BLANK SIZE:  |               |                      |             |