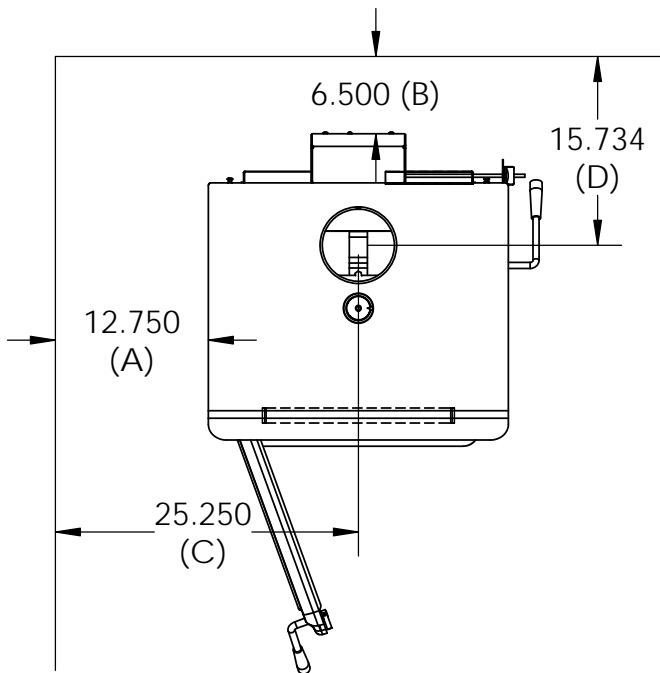


WALL CLEARANCE

- A - 12 3/4" / 324 mm
- B - 6 1/2" / 166 mm
- C - 25 1/4" / 642 mm
- D - 15 7/8" / 404 mm
- E - 6" / 153 mm
- F - 18 1/2" / 470 mm

ALCOVE

min. width = $(12.75 \times 2) + 25(\text{stove top}) = 50 \text{ 1/2}"$
 max. depth = **48"**
 min. height above stovetop = $72" - 35(\text{CK30 height}) = 37"$



Valley Comfort Systems Inc
 1290 Commercial way Penticton, BC V2A 3H5

Part Name		Part Number
SC20.1 clearance specs		
Date	Revision date	Model
Jun 13 14	??	SC20.1
Drawn By	Quantity per	Material / Thickness
TJ	1	

All Dimensions in Inches				WEIGHT:
Tolerance				PUNCH BLANK SIZE:
General	Hole Size	Hole Pos	Angles	LASER BLANK SIZE:
+/- 0.03	+/- 0.005	+/- 0.03	+/- 0.5	