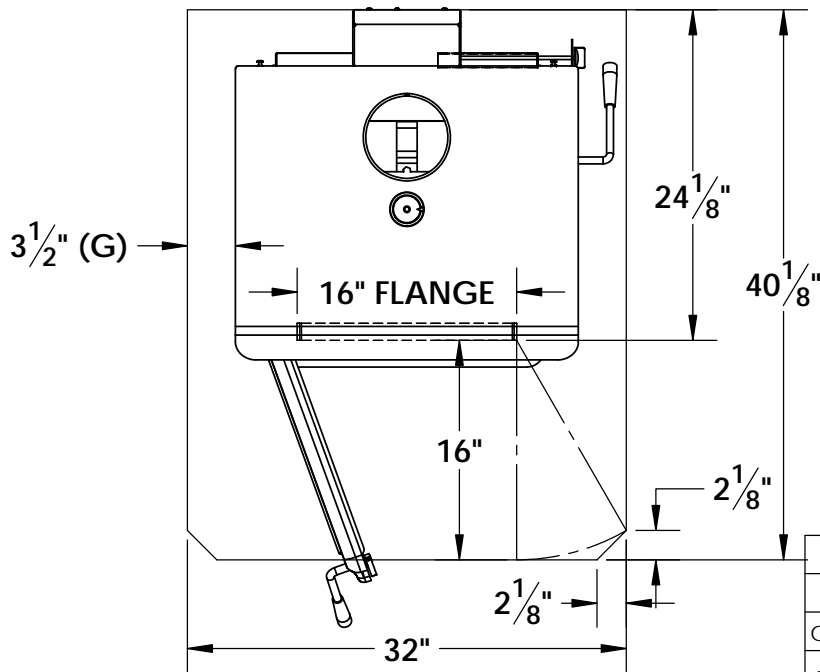


CANADIAN HEARTH PAD

- *18" FROM FRONT FLANGE TO PAD FRONT
- *8" FROM UNIT SIDES TO PAD SIDES
- *8" FROM UNIT BACK TO PAD BACK

$8+25+8 = 41$ " WIDE

$18+24\ 1/8+8 = 50\ 1/8$ " DEEP



USA HEARTH PAD

- *16" FROM FRONT FLANGE TO PAD FRONT
- *8" FRONT FLANGE SIDES TO PAD SIDES
- *0" REAR CLEARANCE

$8+16+8 = 32$ " WIDE

$16+24\ 1/8+0 = 40\ 1/8$ " DEEP

$G = 8-4.5 = 3.5$

Valley Comfort Systems Inc 1290 Commercial way Penticton, BC V2A 3H5			
Part Name			Part Number
SC20.1 hearth pad			
Date	Revision date	Model	
May 8 14	??	SC20.1	
Drawn By	Quantity per	Material / Thickness	
TJ	1		
All Dimensions in Inches			
Tolerance			
General	Hole Size	Hole Pos	Angles
+/- 0.03	+/- 0.005	+/- 0.03	+/- 0.5
WEIGHT:			
PUNCH BLANK SIZE:			
LASER BLANK SIZE:			