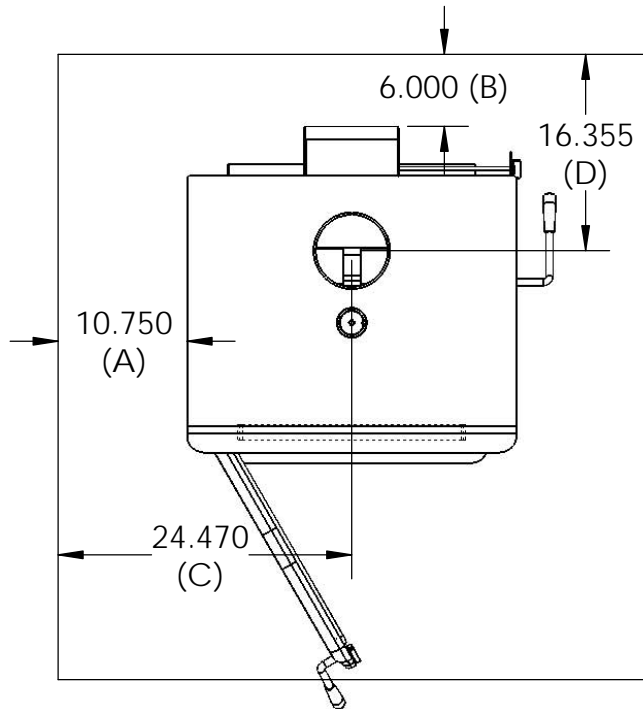


WALL CLEARANCE

- A - 10 3/4" / 273 mm
- B - 6" / 153 mm
- C - 24 1/2" / 623 mm
- D - 16 3/8" / 416 mm
- E - 4" / 102 mm
- F - 18" / 458 mm

ALCOVE

- min. width = $(10.75 \times 2) + 27.5$ (stove top) = **49"**
- max. depth = **48"**
- min. height above stovetop = $72" - 35$ (CK30 height) = **37"**



Valley Comfort Systems Inc 1290 Commercial way Penticton, BC V2A 3H5		
Part Name		Part Number
SC30.1 clearance specs		
Date	Revision date	Model
Jul 7 14	??	SC30.1
Drawn By	Quantity per	Material / Thickness
TJ	1	
All Dimensions in Inches		WEIGHT:
Tolerance		PUNCH BLANK SIZE:
General	Hole Size	Hole Pos
Angles	LASER BLANK SIZE:	
+/- 0.03	+/- 0.005	+/- 0.03
		+/- 0.5